

US00D549334S

(12) **United States Design Patent**
Henkin et al.

(10) **Patent No.:** **US D549,334 S**

(45) **Date of Patent:** **** Aug. 21, 2007**

(54) **STAND**

(75) Inventors: **Hezi Henkin**, Even Yehuda (IL); **Golan Salman**, Atlit (IL); **Ofer Shezifi**, Haifa (IL); **Harry Piaskowsky**, Raanana (IL); **Israel Hershkowitz**, Raanana (IL)

(73) Assignee: **Stryker GI, Ltd.**, Haifa (IL)

(**) Term: **14 Years**

(21) Appl. No.: **29/248,918**

(22) Filed: **Sep. 11, 2006**

(51) **LOC (8) Cl.** **24-01**

(52) **U.S. Cl.** **D24/138; D24/128**

(58) **Field of Classification Search** D24/138,
D24/128, 108, 111, 169, 162, 185; 600/101,
600/102, 145, 227, 121, 124, 114; 206/363,
206/365

See application file for complete search history.

(56) **References Cited**

U.S. PATENT DOCUMENTS

5,337,731 A * 8/1994 Takahashi et al. 600/109
5,441,042 A * 8/1995 Putman 600/102

5,520,607 A * 5/1996 Frassica et al. 600/102
6,569,084 B1 * 5/2003 Mizuno et al. 600/102
D498,532 S * 11/2004 Sawford D24/138
D539,423 S * 3/2007 Elsie D24/128
2006/0235268 A1 * 10/2006 Elsie et al. 600/102

* cited by examiner

Primary Examiner—Ian Simmons

Assistant Examiner—Christopher Lee

(74) *Attorney, Agent, or Firm*—Lilling & Lilling, PLLC

(57) **CLAIM**

The ornamental design for a stand, as shown.

DESCRIPTION

FIG. 1 is a left, front perspective view of my new design;

FIG. 2 is a right, front perspective view thereof;

FIG. 3 is a front elevational view thereof;

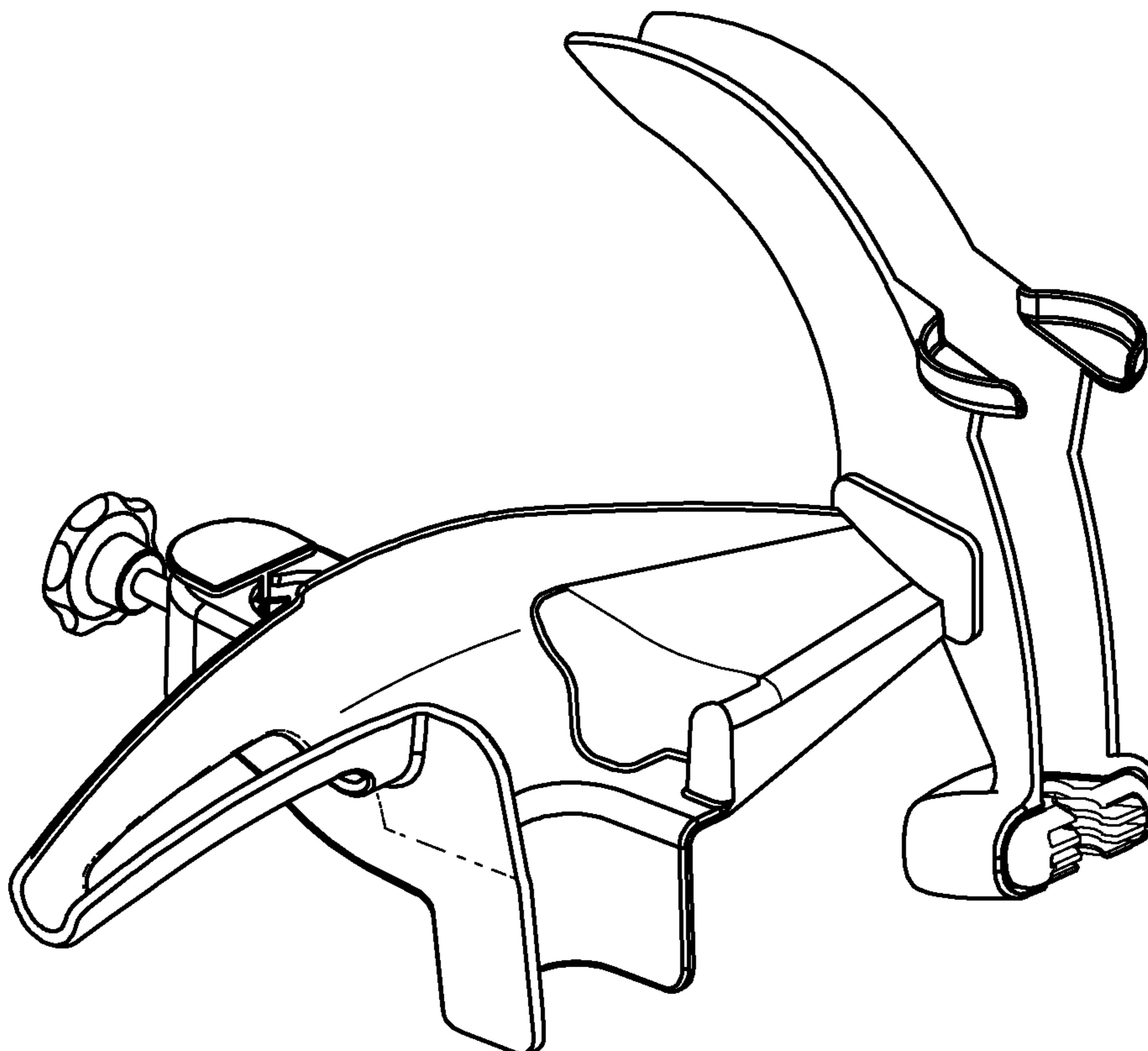
FIG. 4 is a top plan view thereof;

FIG. 5 is a bottom plan view thereof;

FIG. 6 is a left side view thereof; and,

FIG. 7 is a right side view.

1 Claim, 7 Drawing Sheets



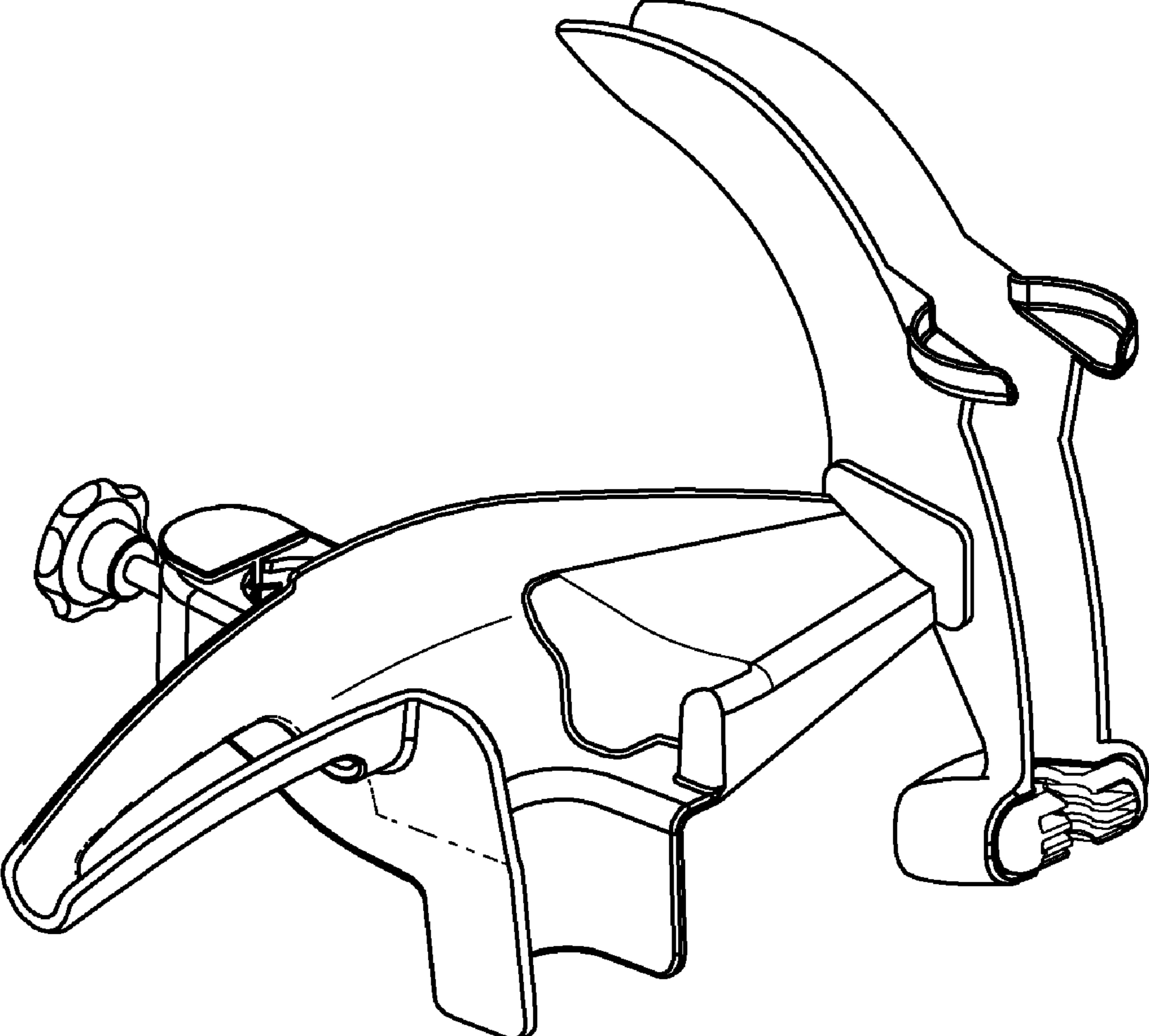


Fig. 1

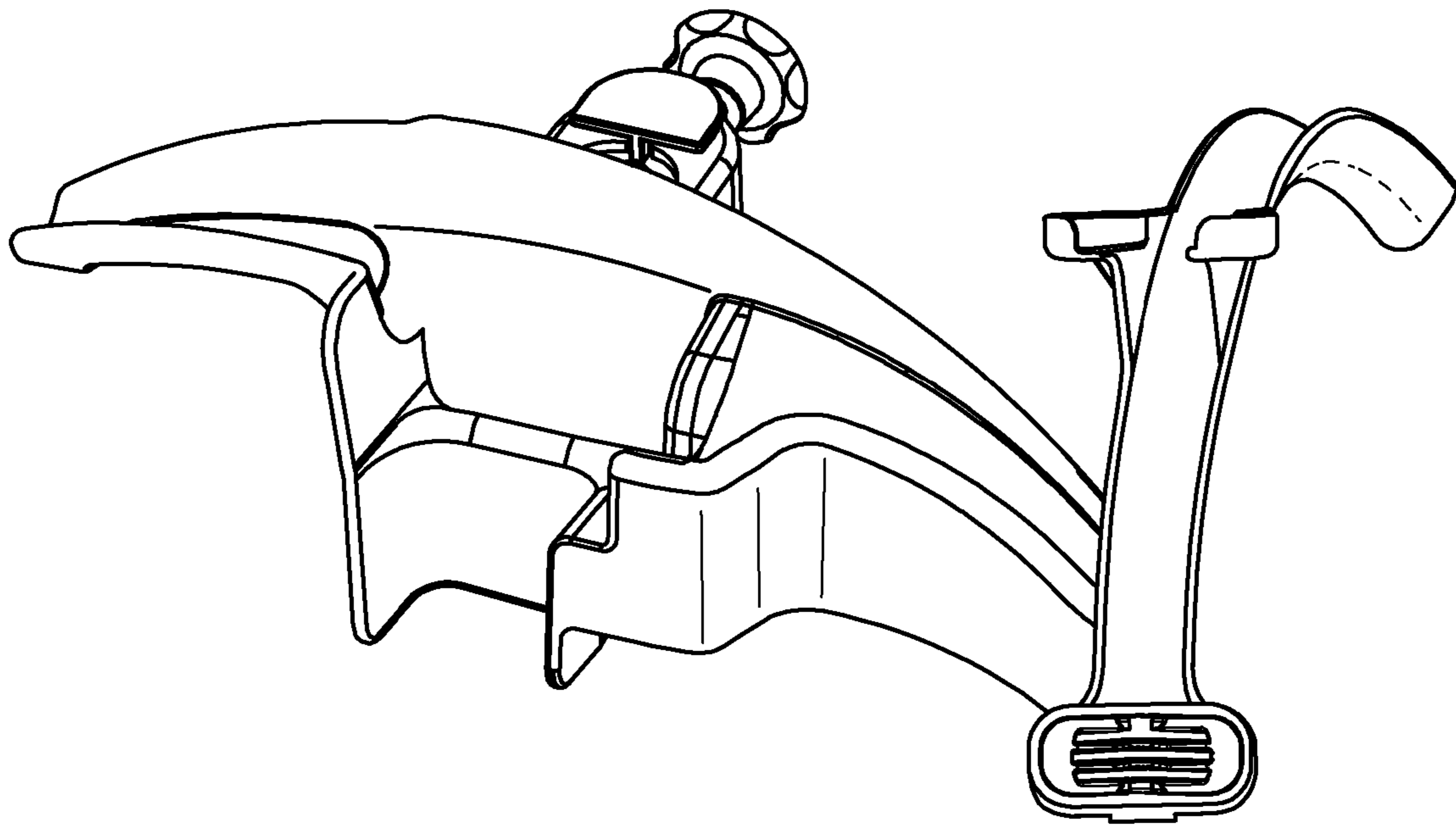


Fig. 2

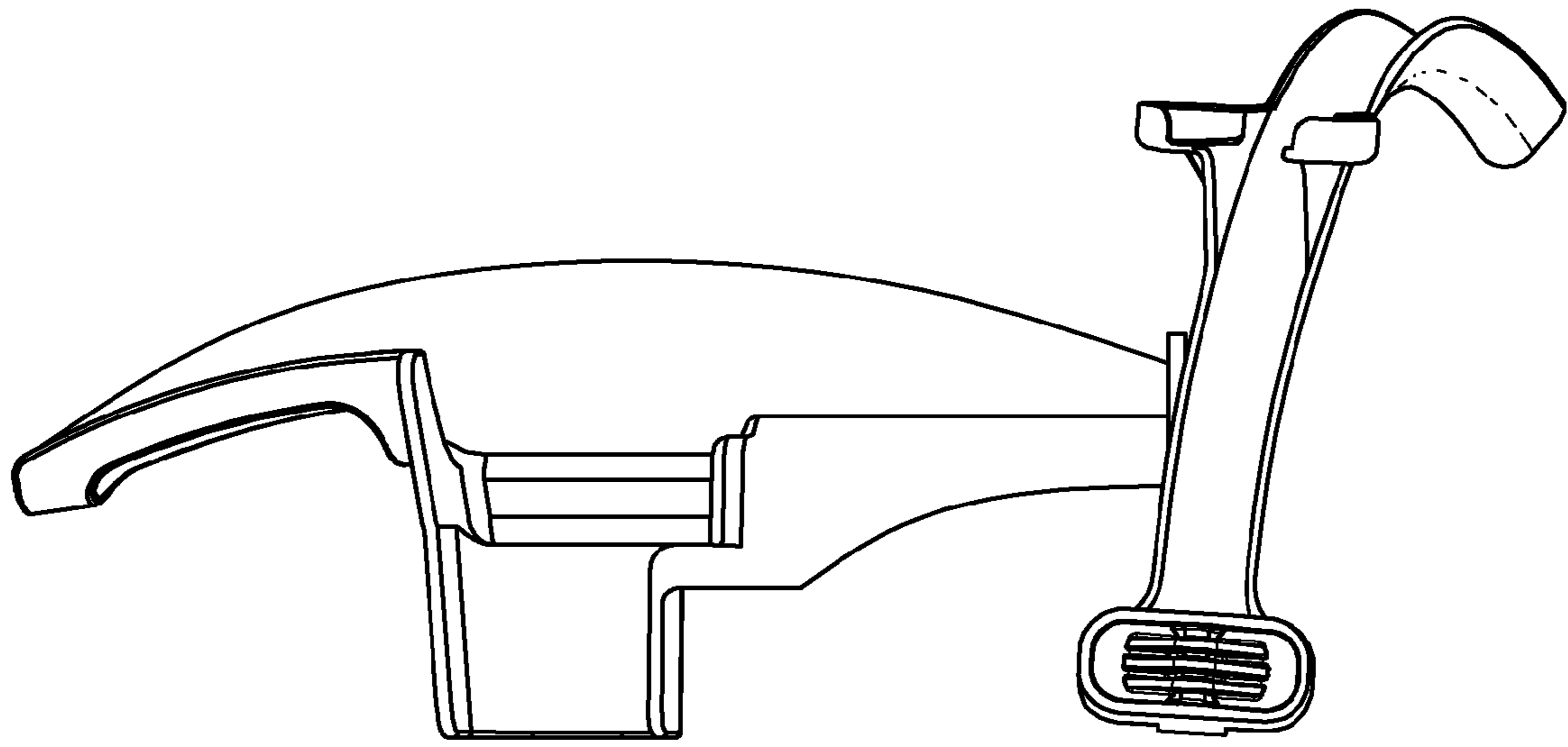


Fig. 3

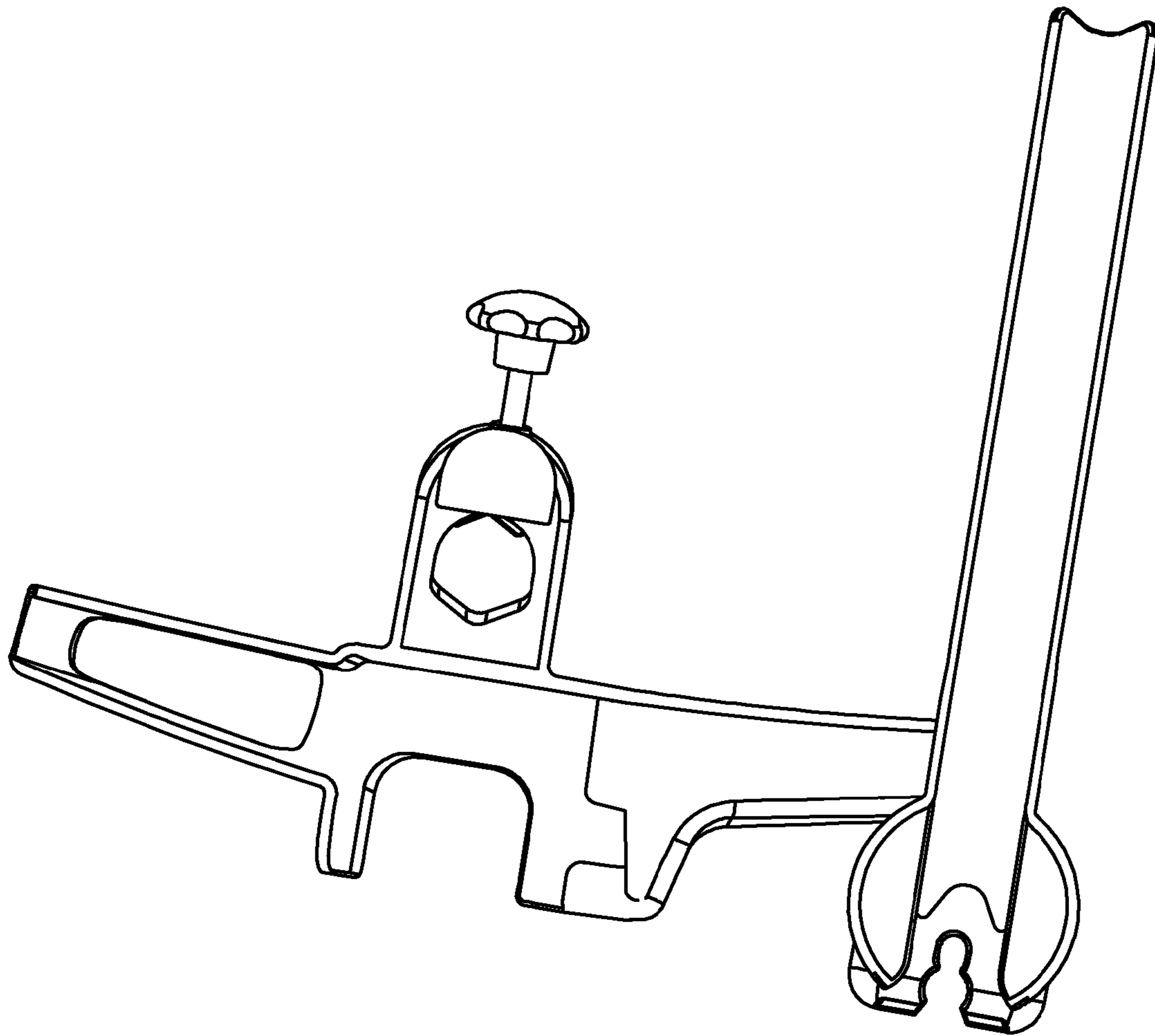


Fig. 4

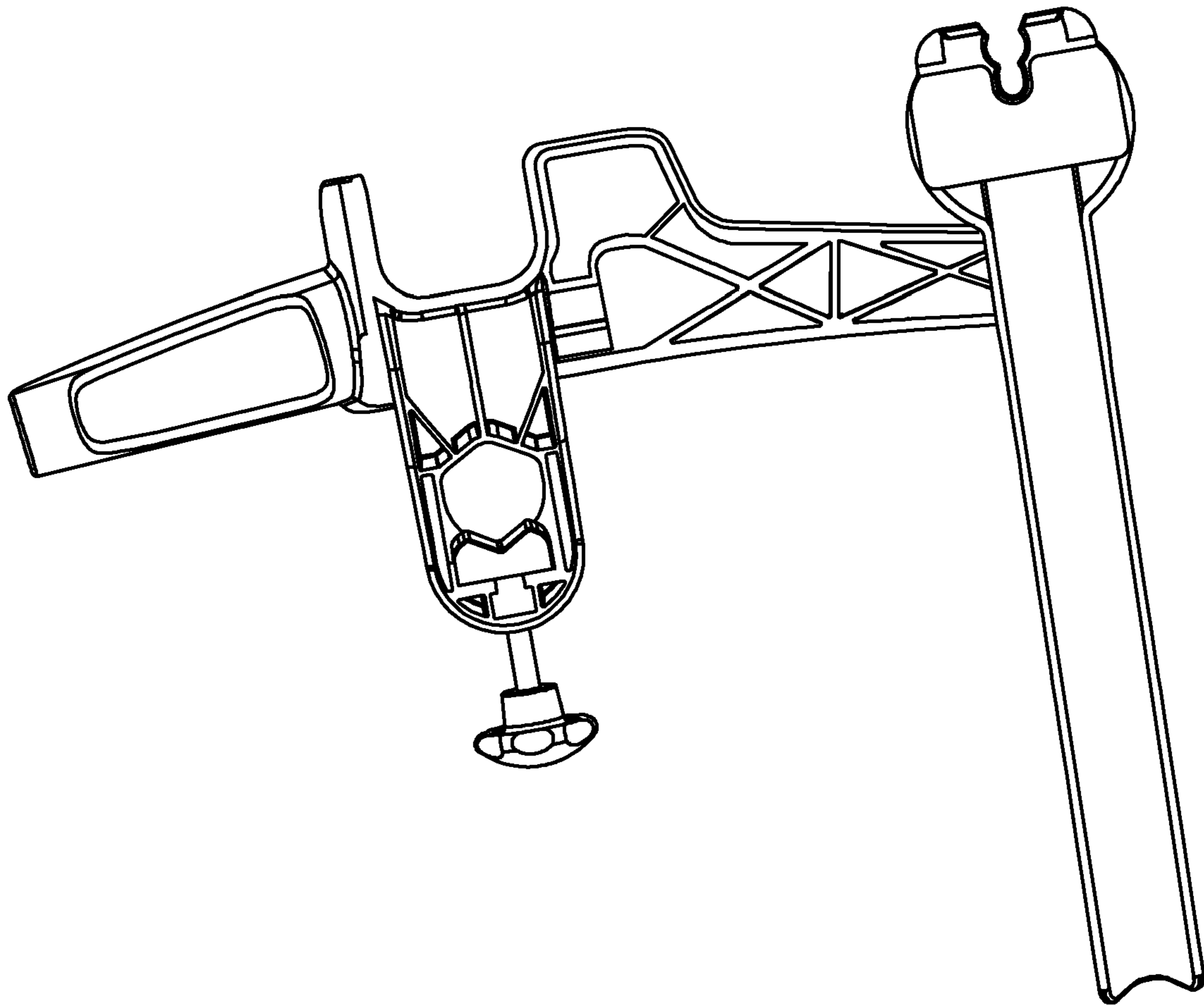


Fig. 5

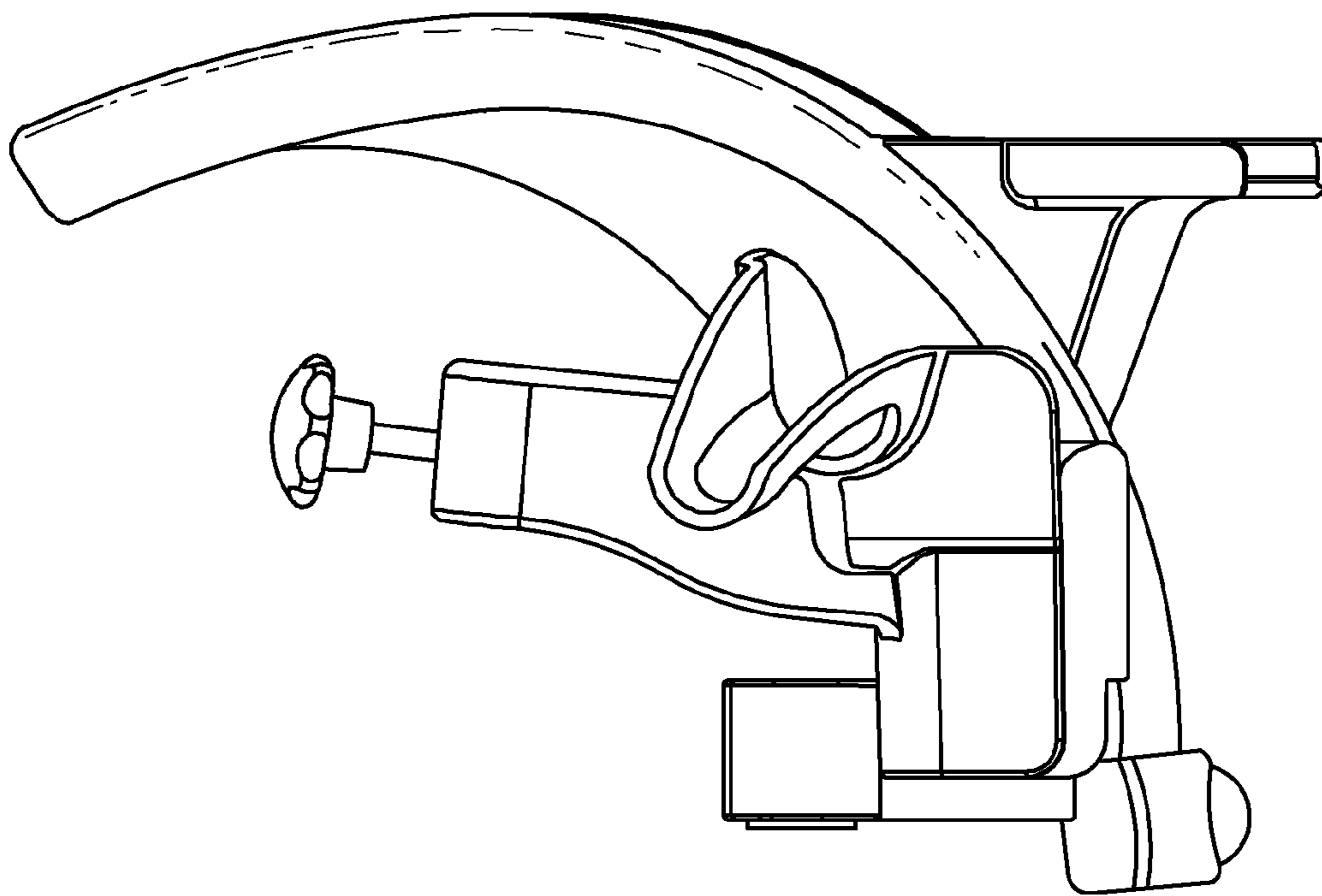


Fig. 6

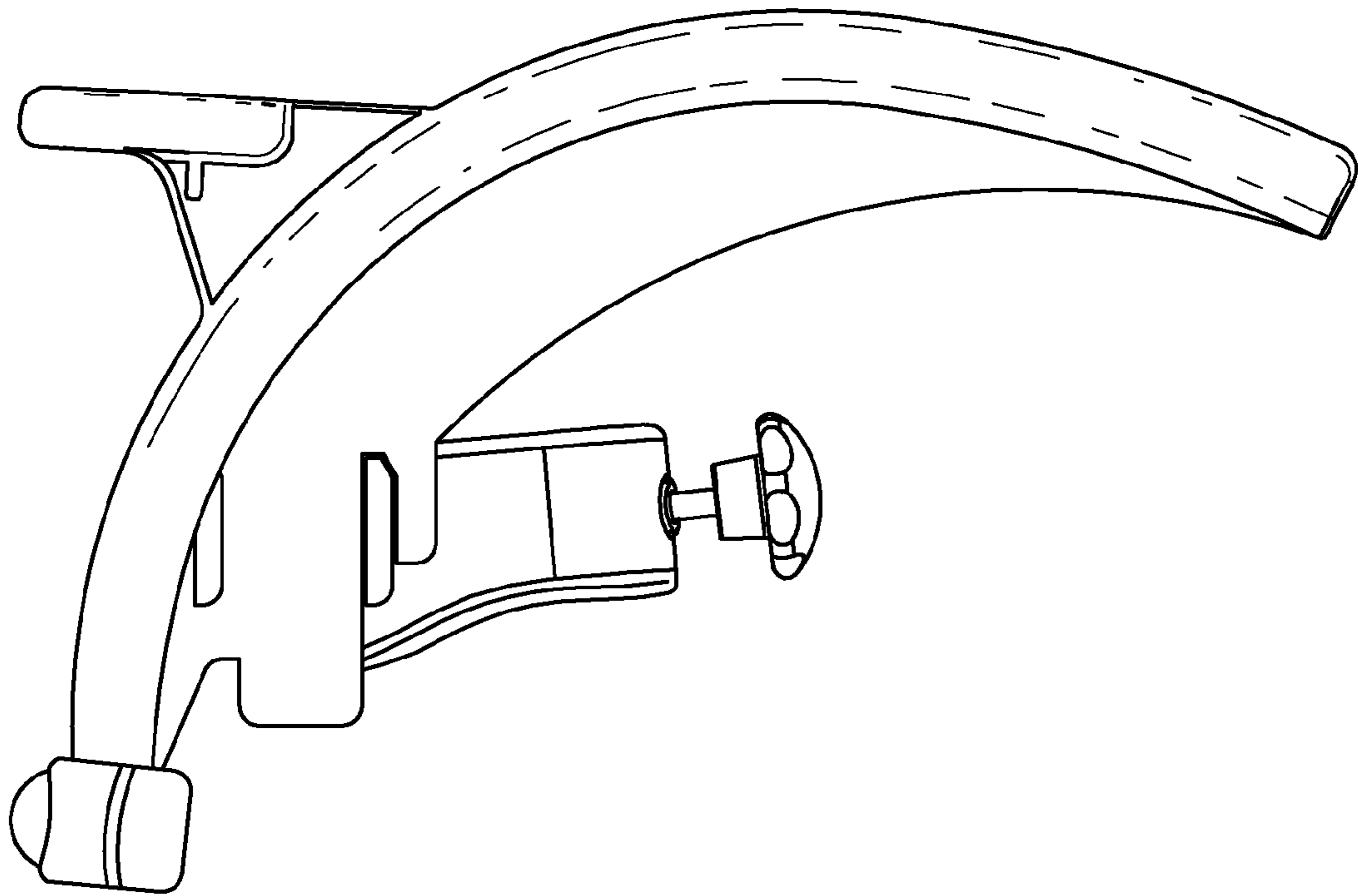


Fig. 7