



US00D549333S

(12) **United States Design Patent**
Nakamura

(10) **Patent No.:** **US D549,333 S**

(45) **Date of Patent:** **** Aug. 21, 2007**

(54) **PROCESSOR FOR ENDOSCOPE**

D481,123 S * 10/2003 Hayamizu D24/138
6,733,441 B2 * 5/2004 Niida et al. 600/178

(75) Inventor: **Shuhei Nakamura**, Tokyo (JP)

* cited by examiner

(73) Assignee: **PENTAX Corporation**, Tokyo (JP)

Primary Examiner—Ian Simmons

(**) Term: **14 Years**

Assistant Examiner—W. Laymon

(21) Appl. No.: **29/234,628**

(74) *Attorney, Agent, or Firm*—Sughrue Mion, PLLC

(22) Filed: **Jul. 21, 2005**

(57) **CLAIM**

(30) **Foreign Application Priority Data**

The ornamental design for a processor for endoscope, as shown and described.

Feb. 10, 2005 (JP) 2005-003457

DESCRIPTION

(51) **LOC (8) Cl.** **24-01**

FIG. 1 is a perspective view of the top, front and left side of a processor for endoscope showing my new design;

(52) **U.S. Cl.** **D24/138; D24/107; D24/144; D24/186**

FIG. 2 is a front elevational view thereof;

(58) **Field of Classification Search** D24/113, D24/114, 107, 186; 600/137, 138, 144, 160, 600/170, 179, 178

FIG. 3 is a rear elevational view thereof;

See application file for complete search history.

FIG. 4 is a right side elevational view thereof;

FIG. 5 is a left side elevational view thereof;

(56) **References Cited**

FIG. 6 is a top plan view thereof; and,

FIG. 7 is a bottom plan view thereof.

U.S. PATENT DOCUMENTS

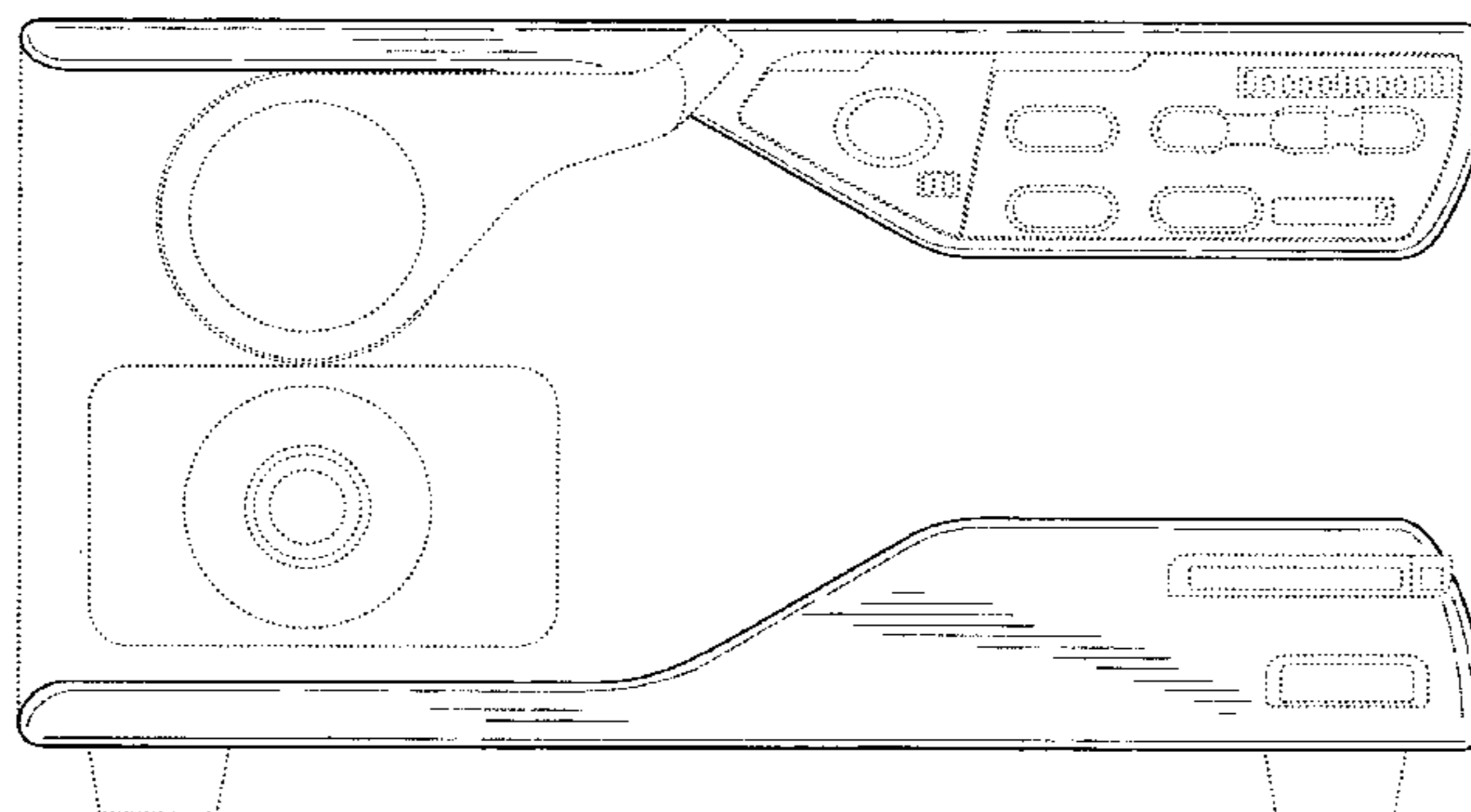
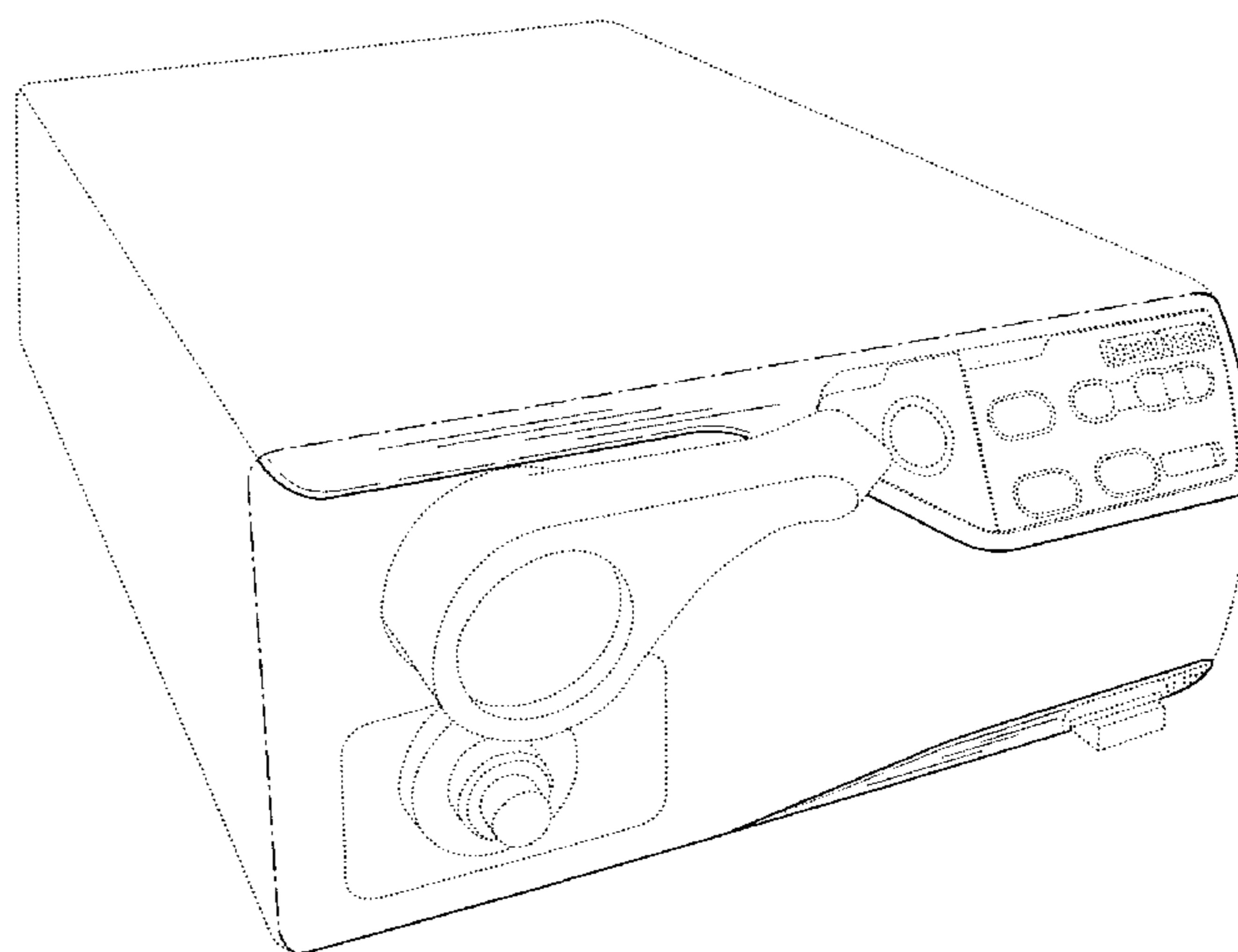
The portions shown in broken lines are for illustrative purposes only and form no part of the claimed design.

D286,280 S * 10/1986 Holtman et al. D13/101

D412,977 S * 8/1999 Hayamizu D24/107

6,464,633 B1 * 10/2002 Hosoda et al. 600/178

1 Claim, 6 Drawing Sheets



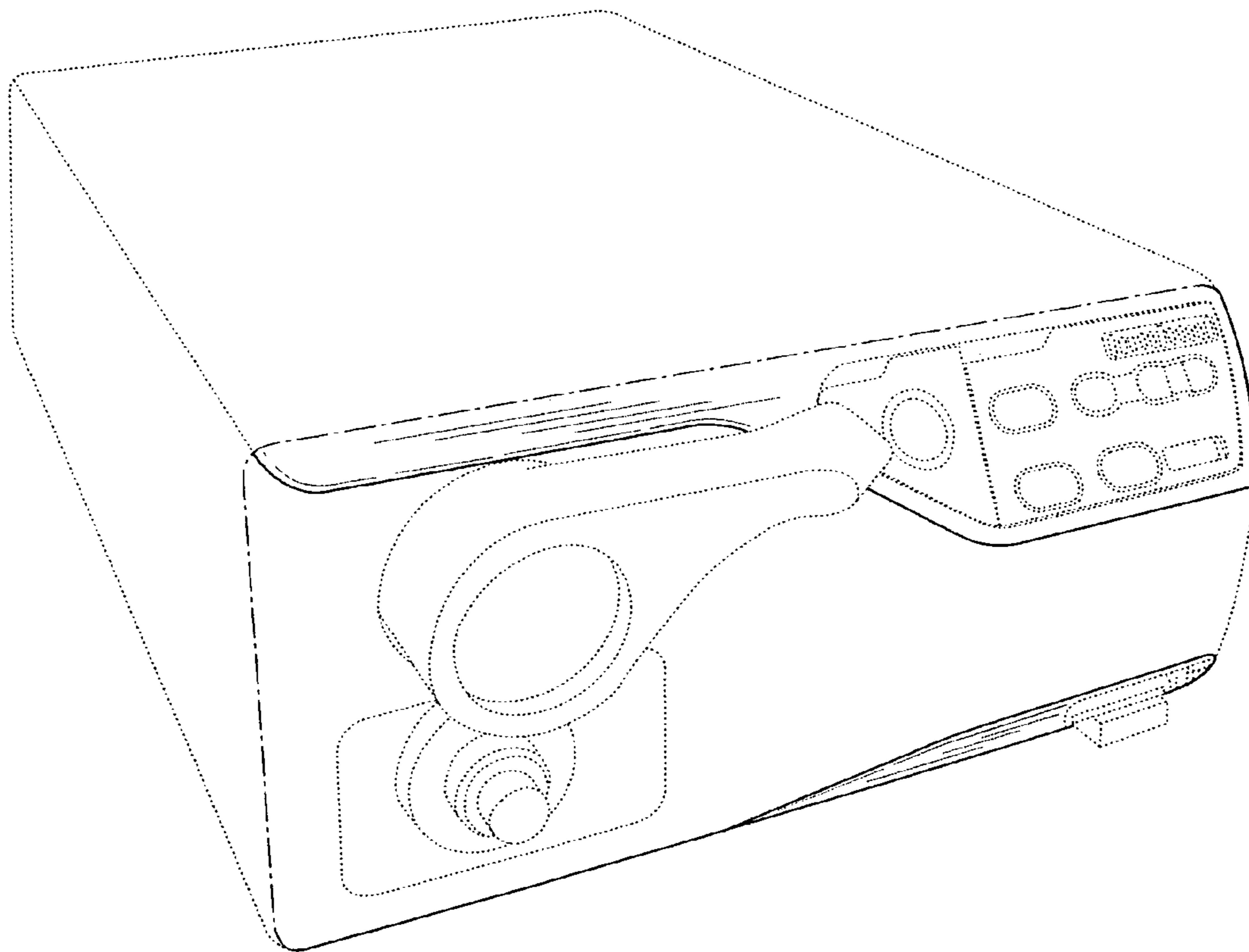


FIG. 1

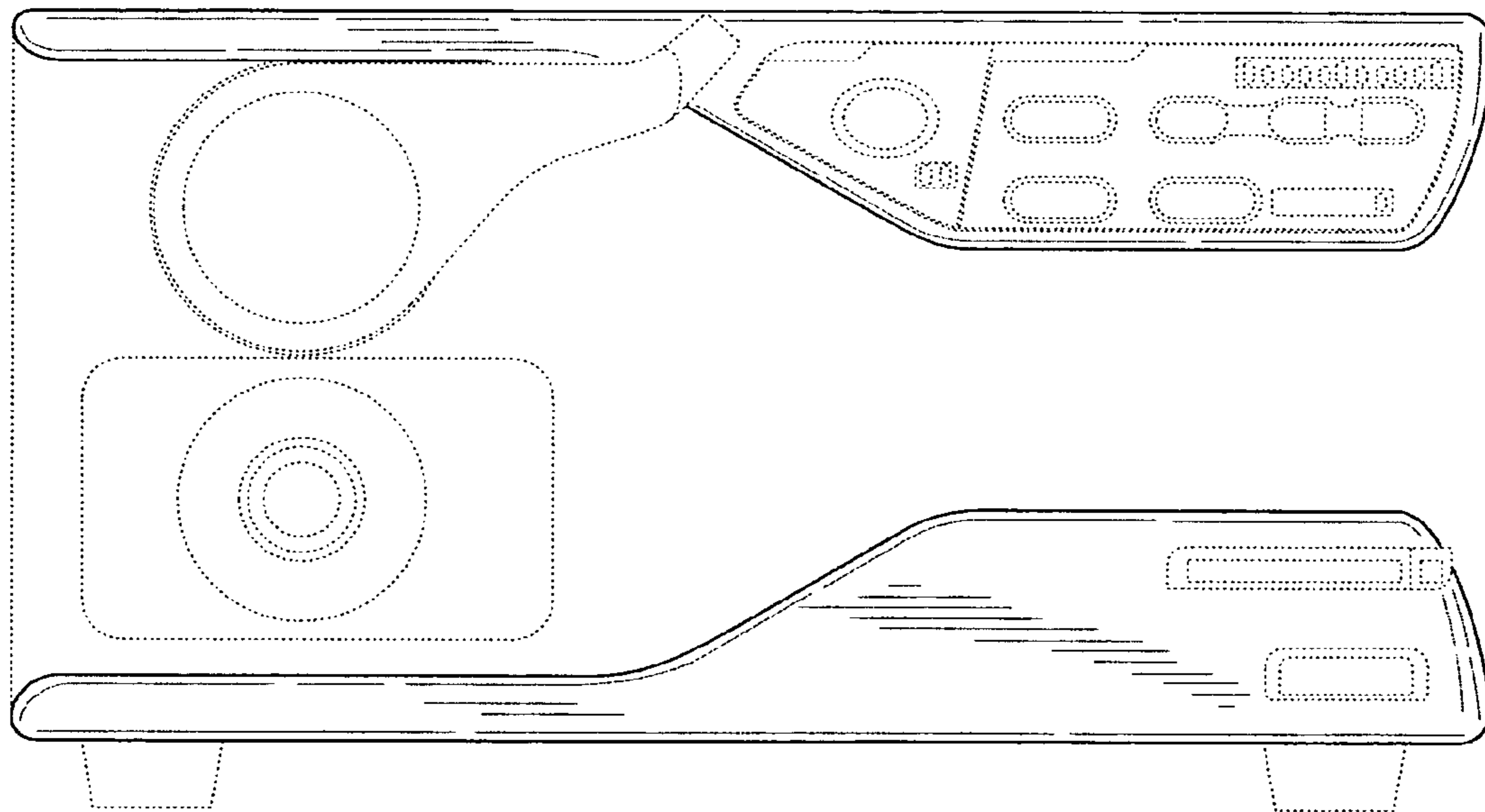


FIG. 2

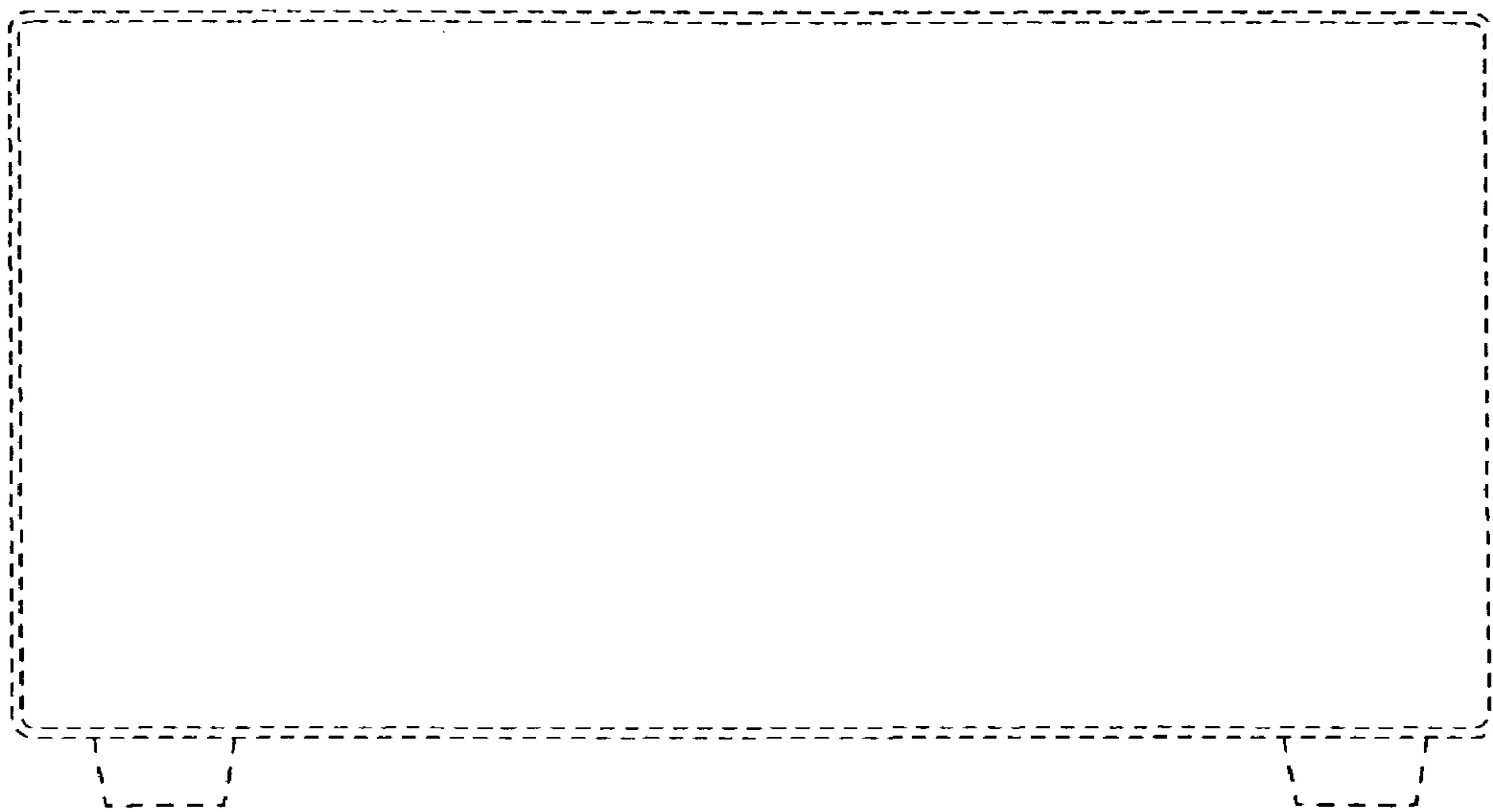


FIG. 3

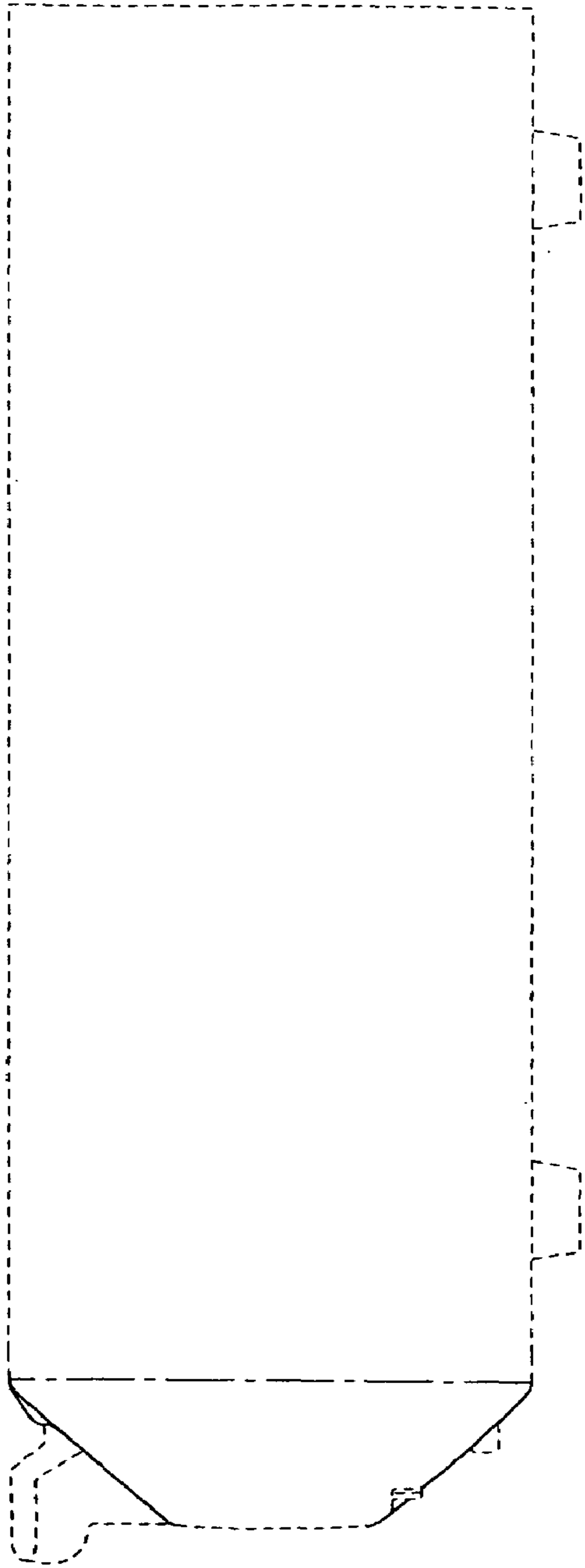


FIG. 4

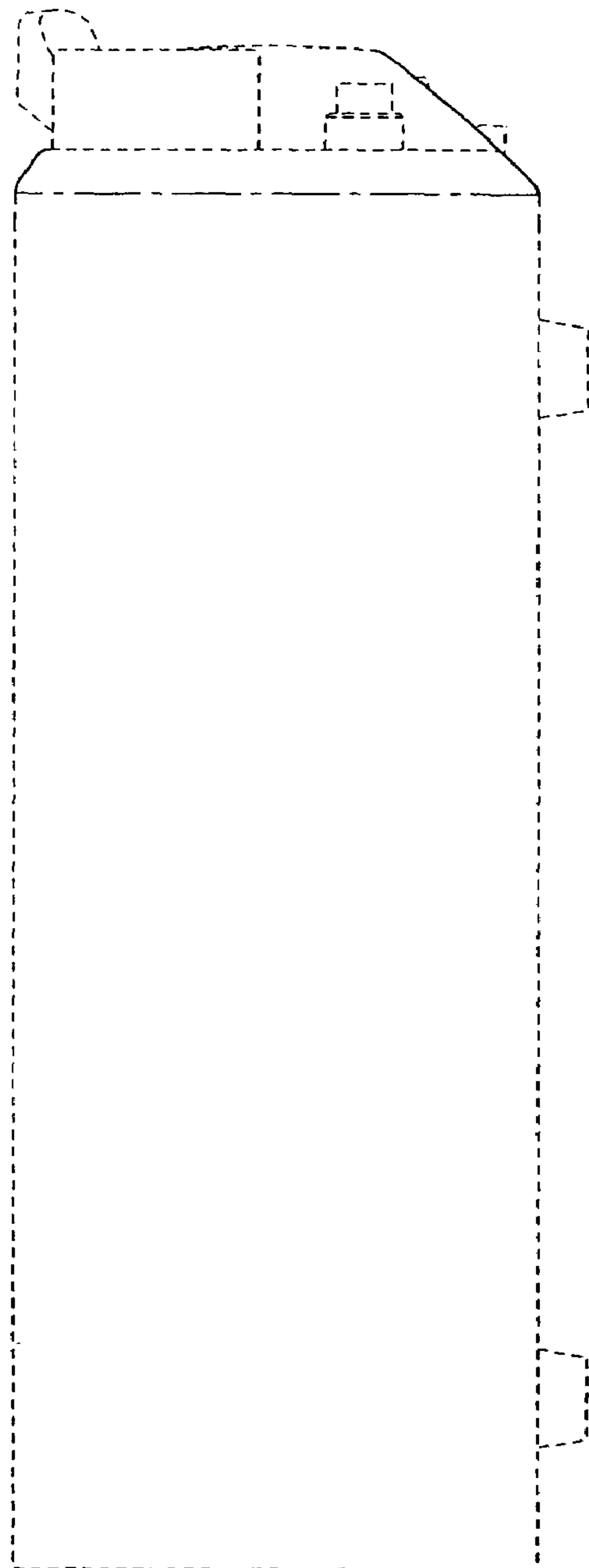


FIG. 5

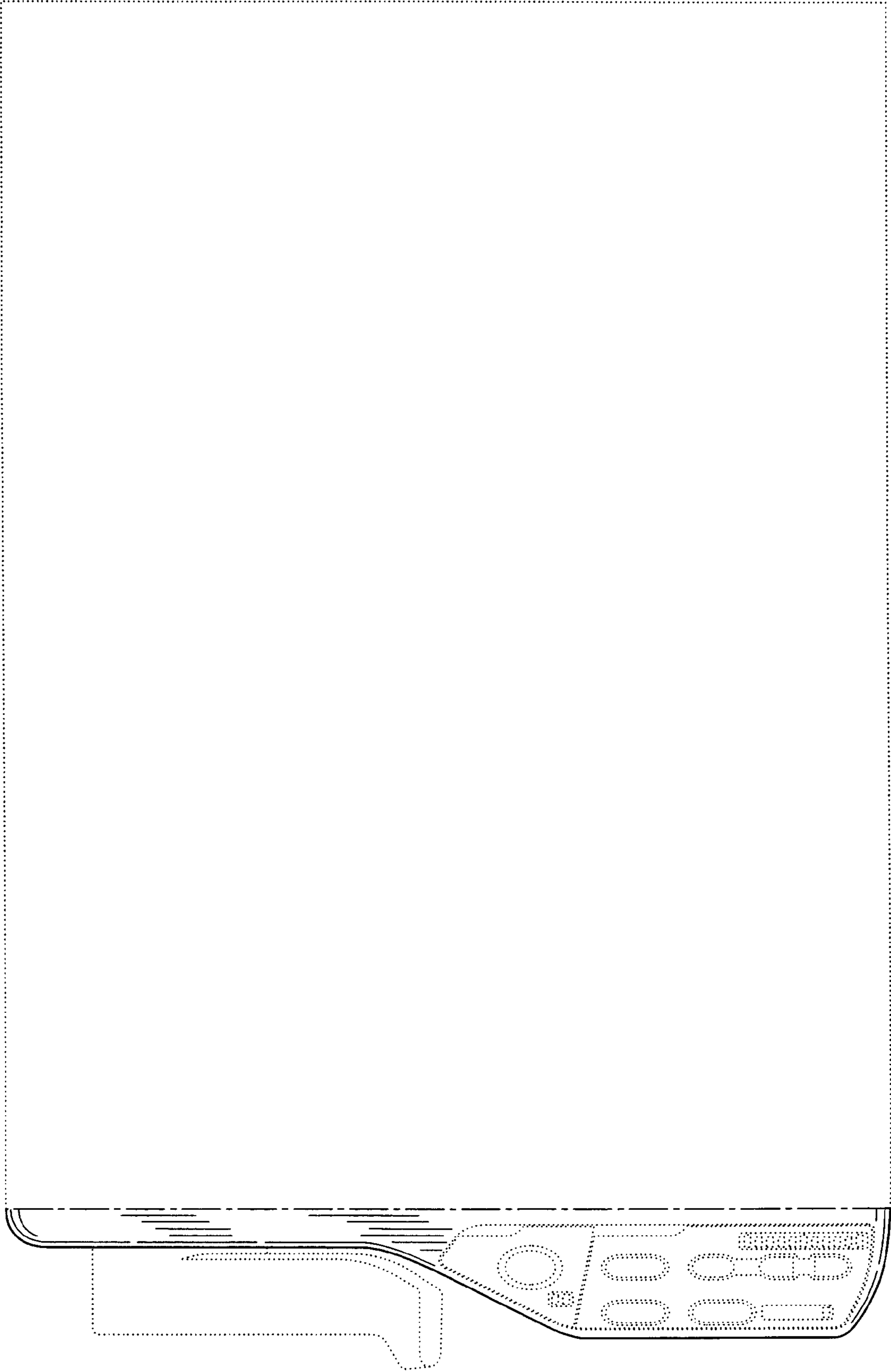


FIG. 6

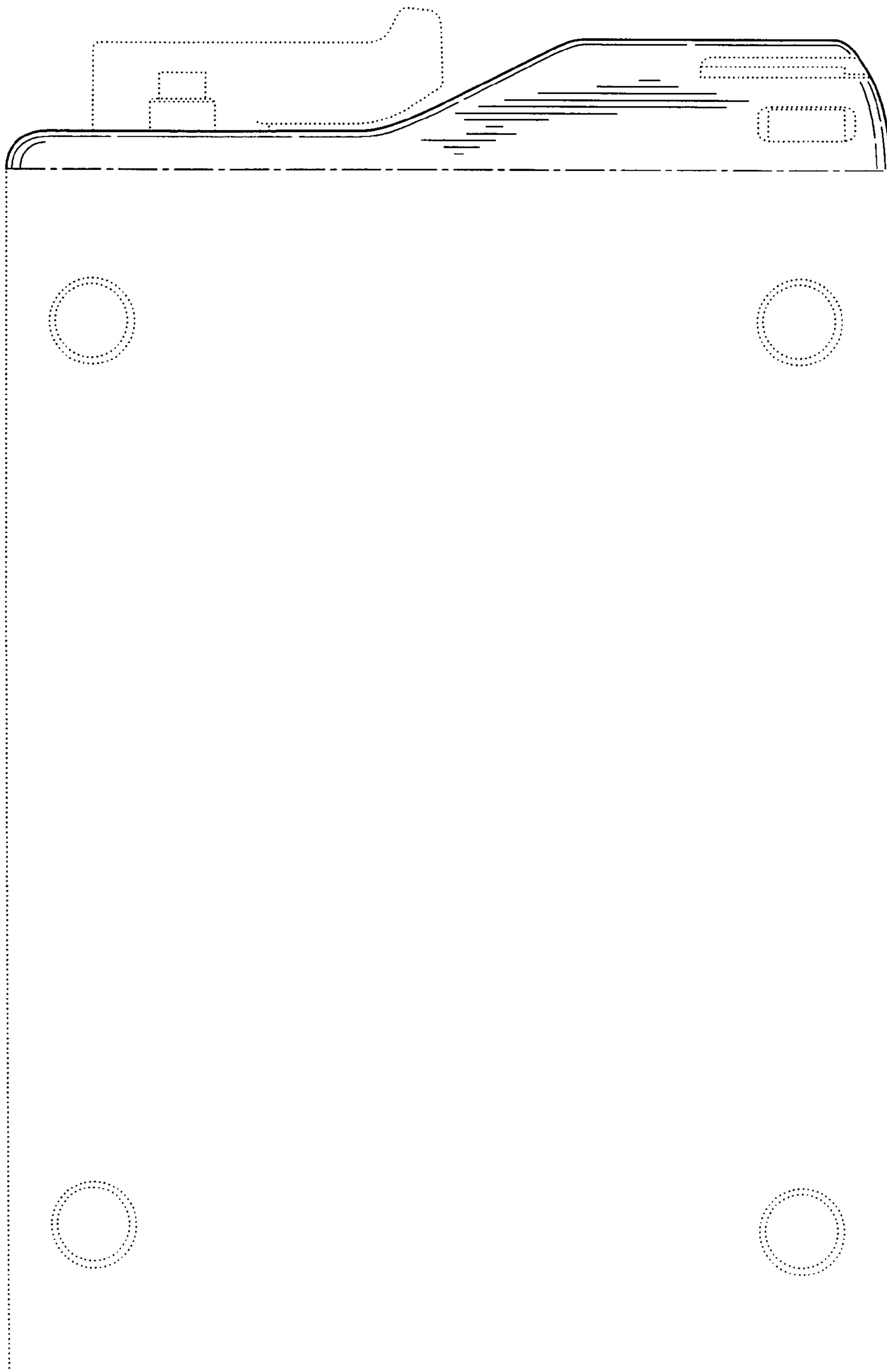


FIG. 7