

US00D549332S

(12) **United States Design Patent**
Matsumoto et al.

(10) **Patent No.: US D549,332 S**

(45) **Date of Patent: ** Aug. 21, 2007**

(54) **ENDOSCOPE**

(75) Inventors: **Kazutaka Matsumoto**, Fuchu (JP);
Eijiro Sato, Hachioji (JP); **Kaoru**
Tsuruoka, Kawasaki (JP); **Masanori**
Yajima, Hino (JP)

(73) Assignee: **Olympus Corporation**, Tokyo (JP)

(**) Term: **14 Years**

(21) Appl. No.: **29/214,553**

(22) Filed: **Jun. 10, 2004**

(30) **Foreign Application Priority Data**

Apr. 9, 2004 (JP) 2004-011100
Apr. 9, 2004 (JP) 2004-011101

(51) **LOC (8) Cl.** **24-02**

(52) **U.S. Cl.** **D24/138**

(58) **Field of Classification Search** D24/112,
D24/137, 138, 140; 600/127, 129, 176, 178,
600/146

See application file for complete search history.

(56) **References Cited**

U.S. PATENT DOCUMENTS

D227,505 S * 6/1973 Frey D16/234
5,662,588 A * 9/1997 Iida 600/121
D435,909 S * 1/2001 Ogino et al. D24/138
D440,659 S * 4/2001 Ogino et al. D24/138
D498,846 S * 11/2004 Hayamizu et al. D24/138
2004/0242963 A1* 12/2004 Matsumoto et al. 600/127
2005/0137459 A1* 6/2005 Chin et al. 600/179

* cited by examiner

Primary Examiner—Ian Simmons

Assistant Examiner—Christopher Lee

(74) *Attorney, Agent, or Firm*—Hogan & Hartson LLP

(57) **CLAIM**

The ornamental design for an endoscope, as shown and described.

DESCRIPTION

FIG. 1 is a perspective view of an endoscope showing our new design;

FIG. 2 is a top plan view thereof; with the shaft portion shown broken in the middle to represent indefinite length with an enlarged view of the tip portion shown enlarged for ease of illustration.

FIG. 3 is a front elevational view thereof; with the tip portion shown enlarged for ease of illustration.

FIG. 4 is a bottom plan view thereof; with the tip portion shown enlarged for ease of illustration.

FIG. 5 is a rear elevational view thereof; with the tip portion shown enlarged for ease of illustration.

FIG. 6 is a right side elevational view thereof; with the tip portion shown enlarged for ease of illustration.

FIG. 7 is a perspective view a second embodiment;

FIG. 8 is a top plan view thereof; with the shaft portion shown broken in the middle to represent indefinite length with an enlarged view of the tip portion shown enlarged for ease of illustration.

FIG. 9 is a front elevational view thereof; with the tip portion shown enlarged for ease of illustration.

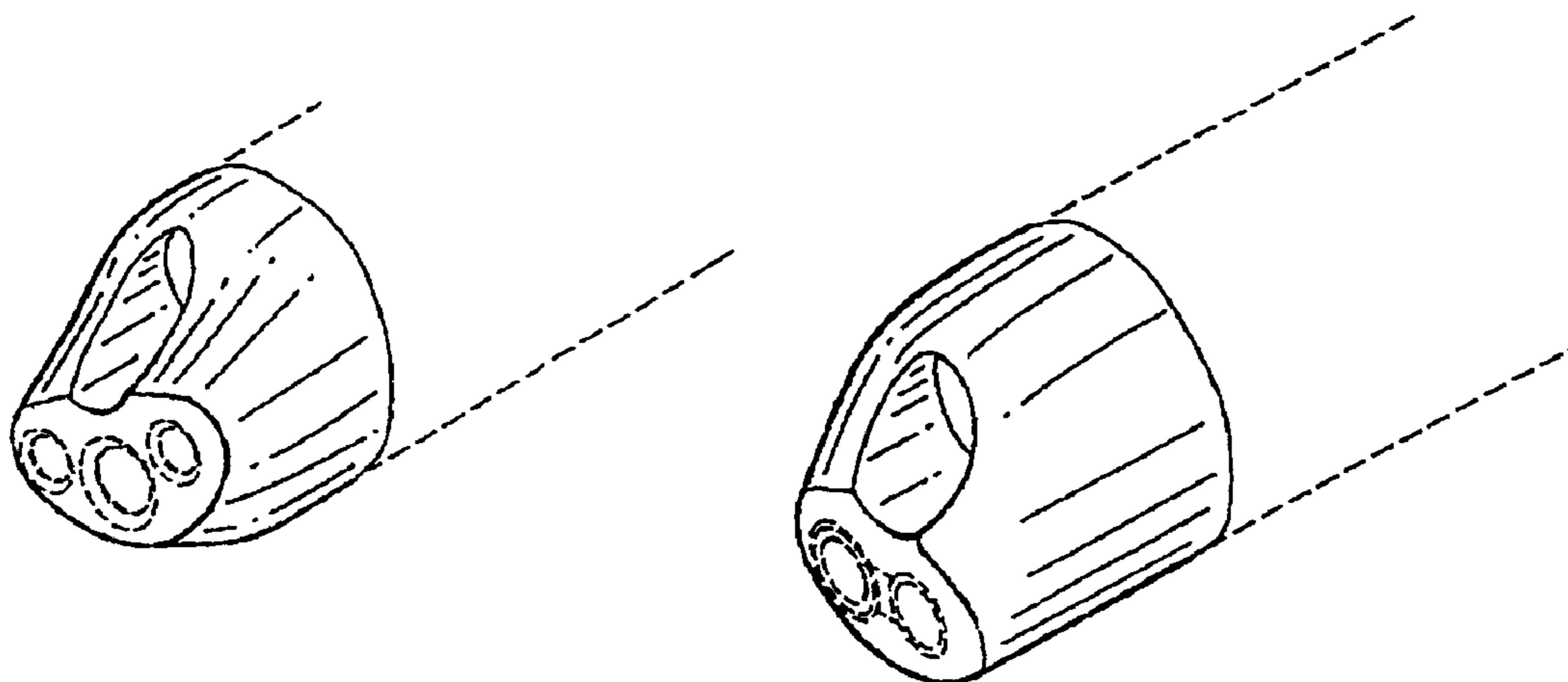
FIG. 10 is a bottom plan view thereof; with the tip portion shown enlarged for ease of illustration.

FIG. 11 is a rear elevational view thereof; with the tip portion shown enlarged for ease of illustration; and,

FIG. 12 is a right side elevational view thereof; with the tip portion shown enlarged for ease of illustration.

The broken line showing is for illustrative purpose only and forms no part of the claimed design.

1 Claim, 12 Drawing Sheets



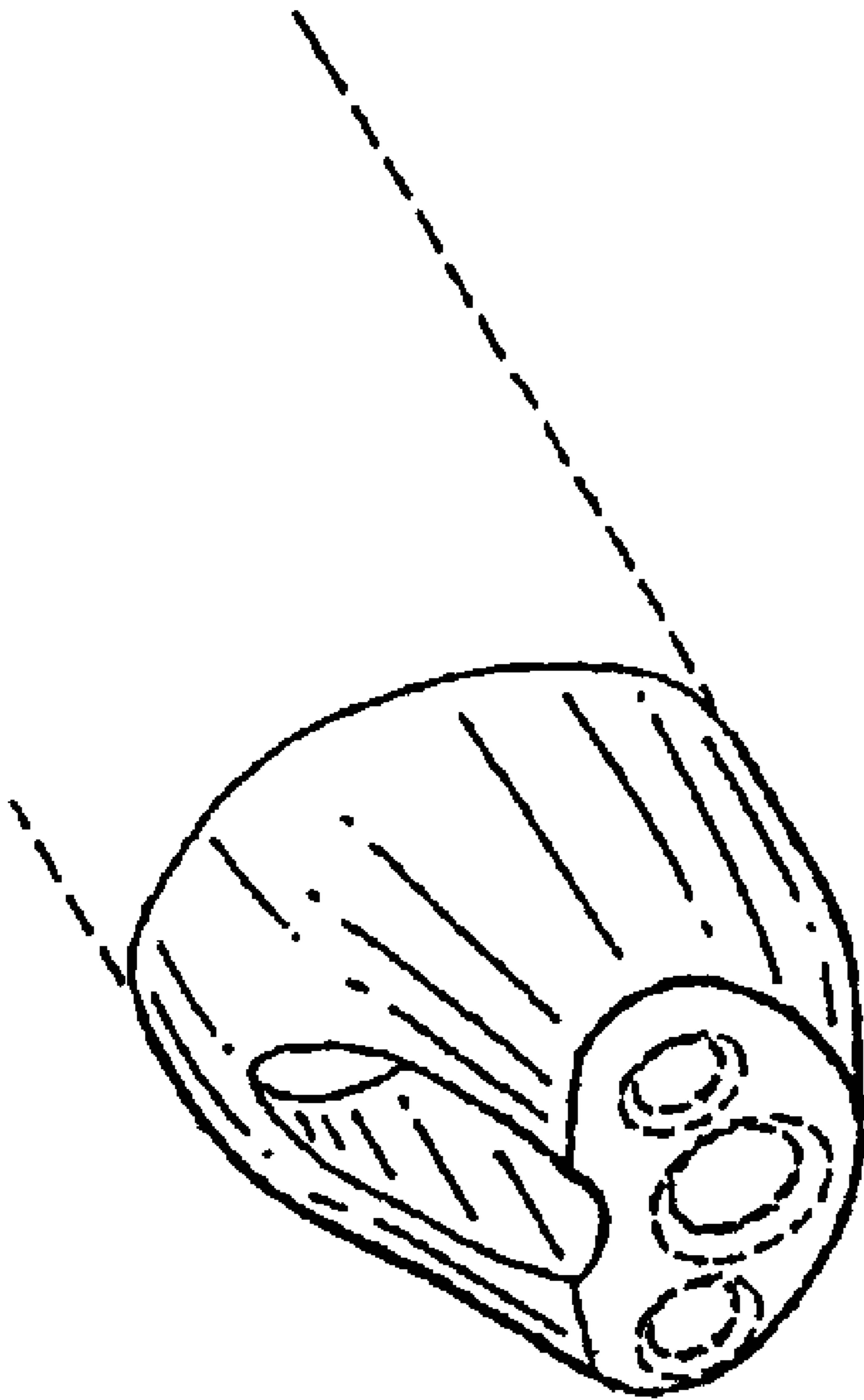


FIG. 1

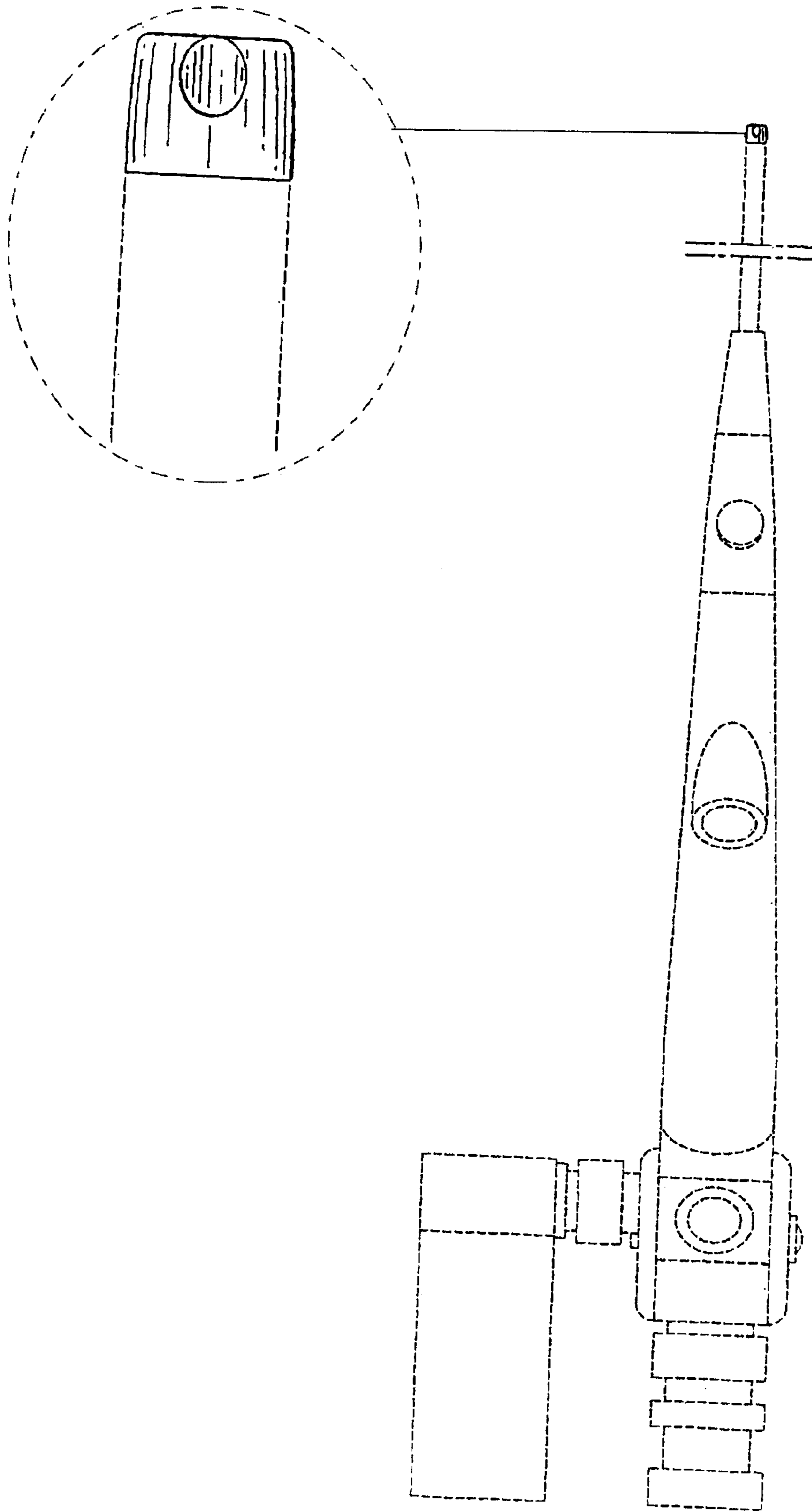


FIG. 2

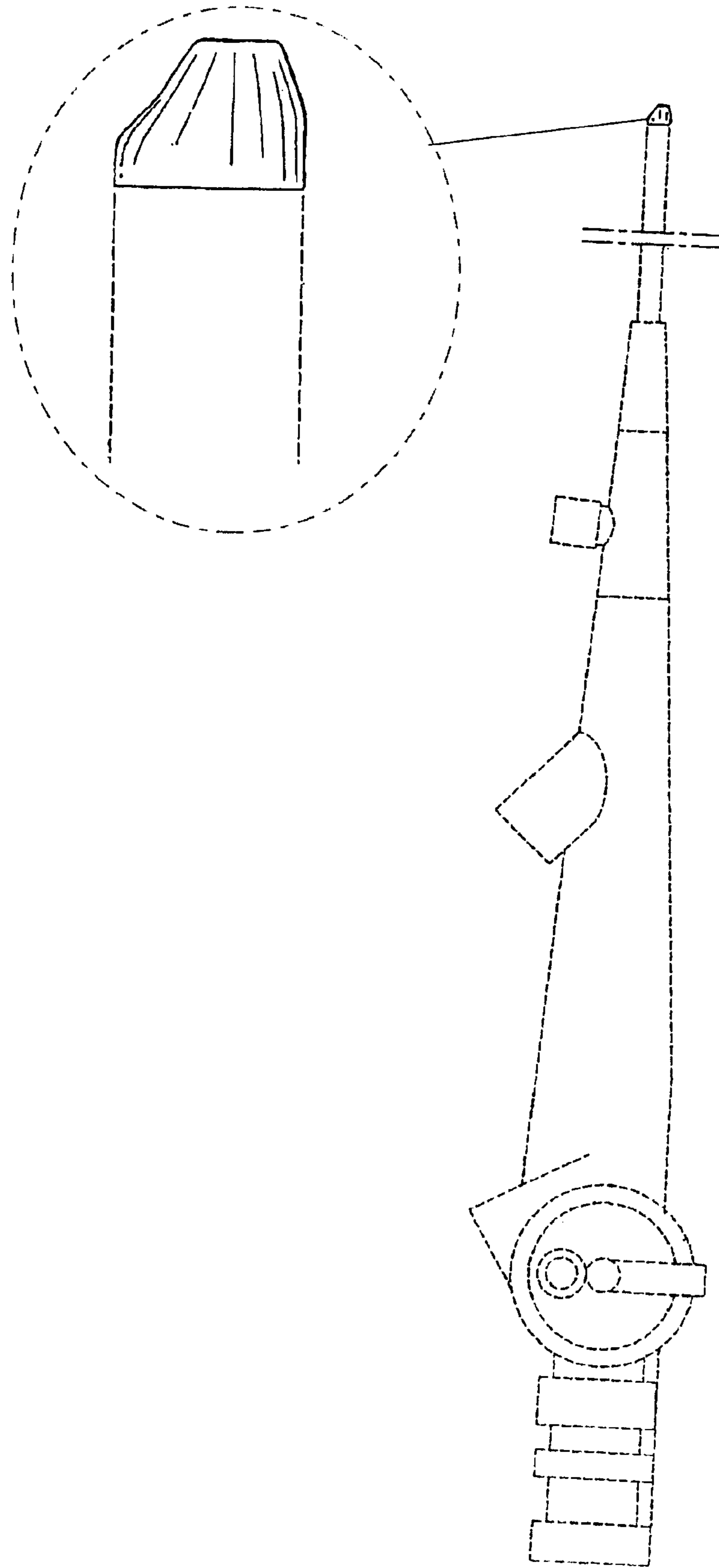


FIG. 3

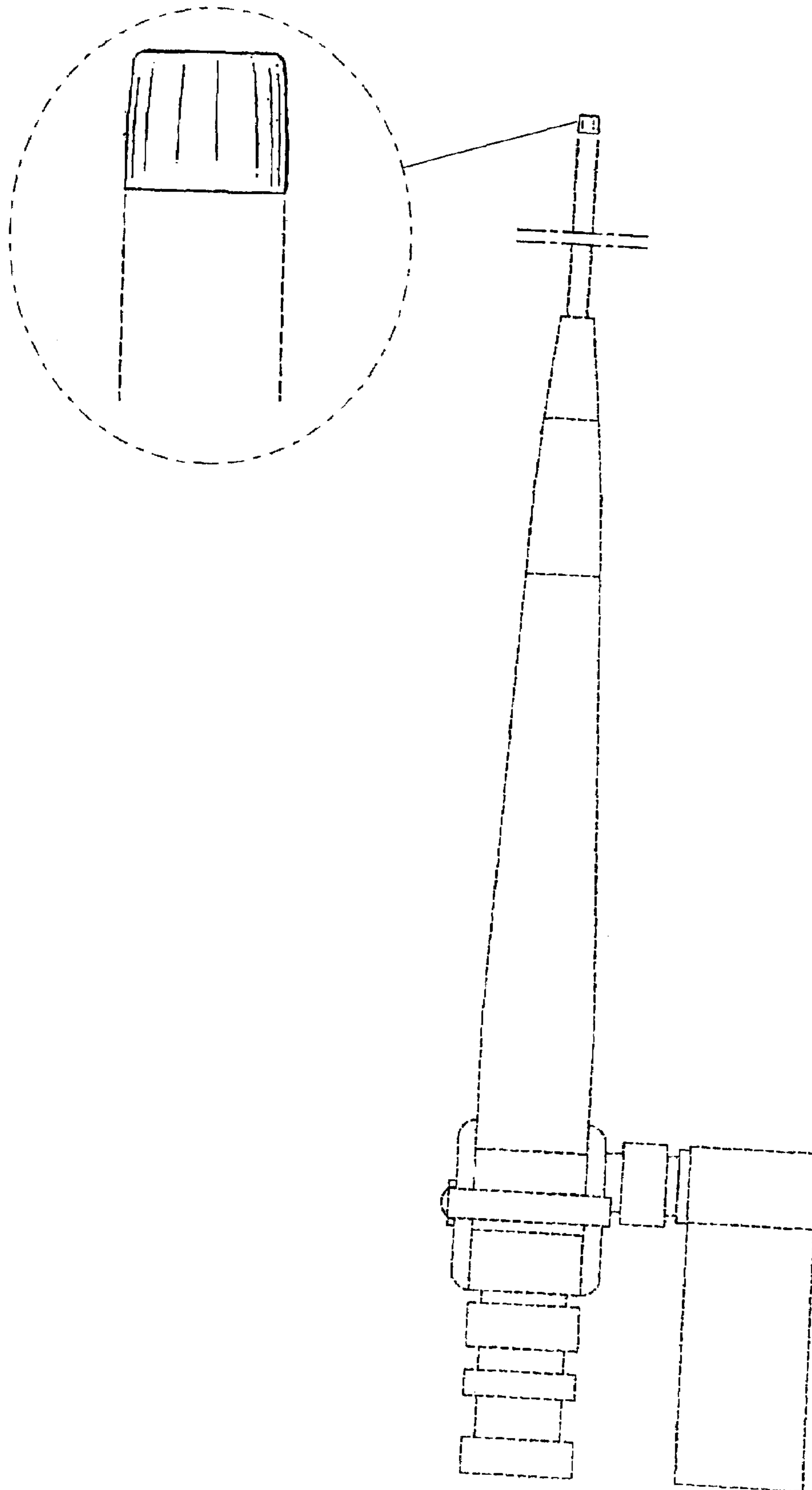


FIG. 4

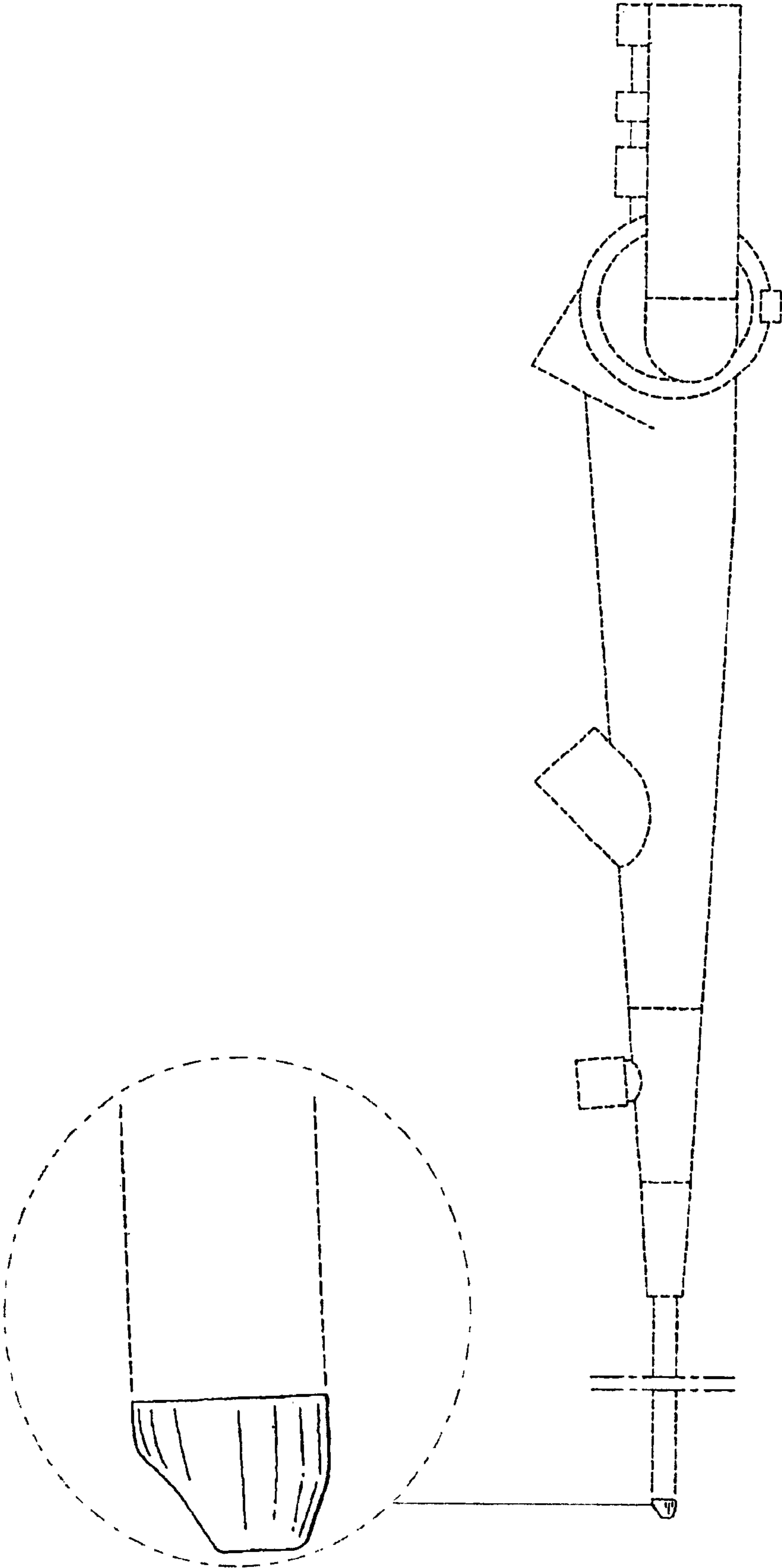


FIG. 5

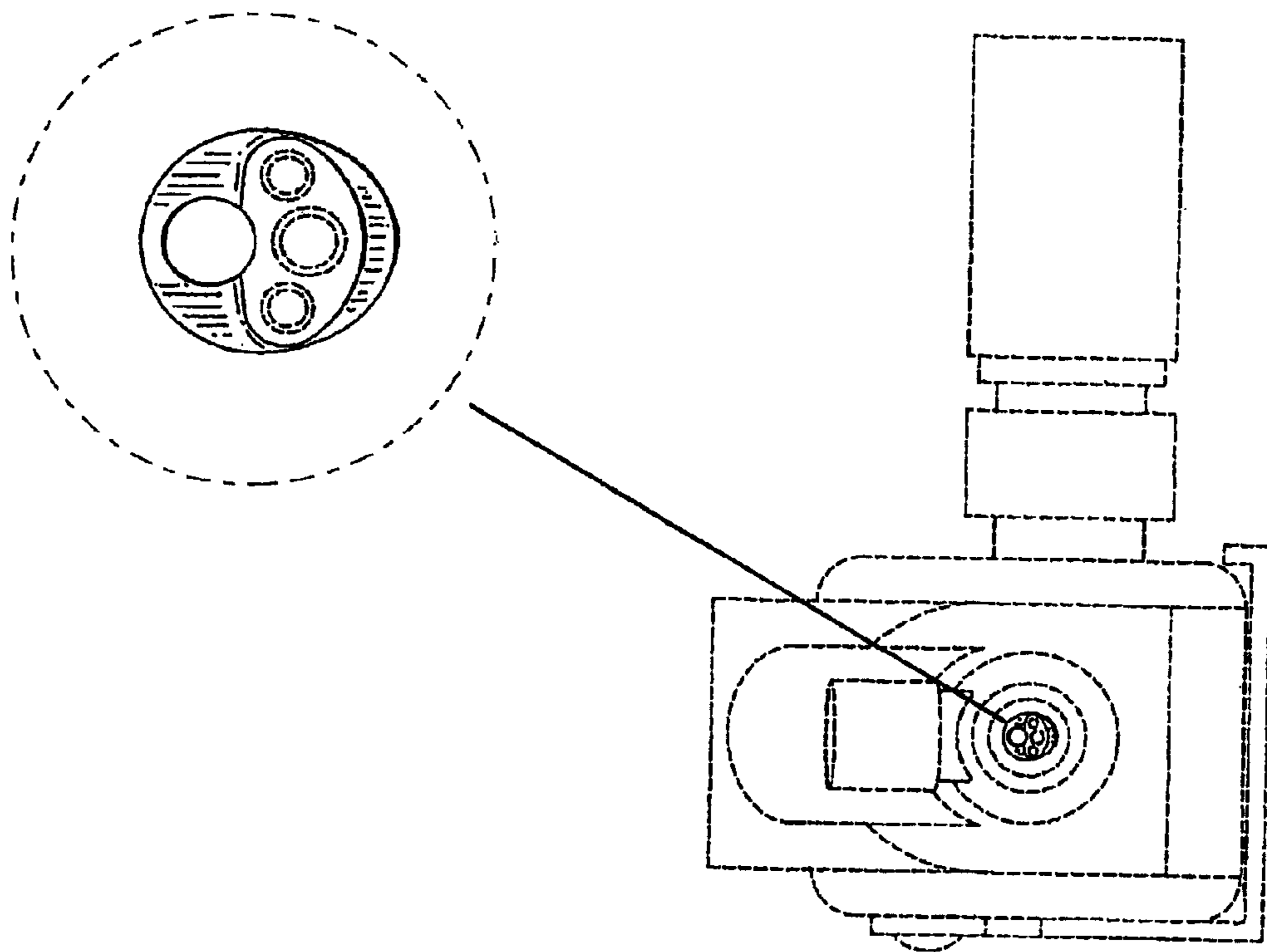


FIG. 6

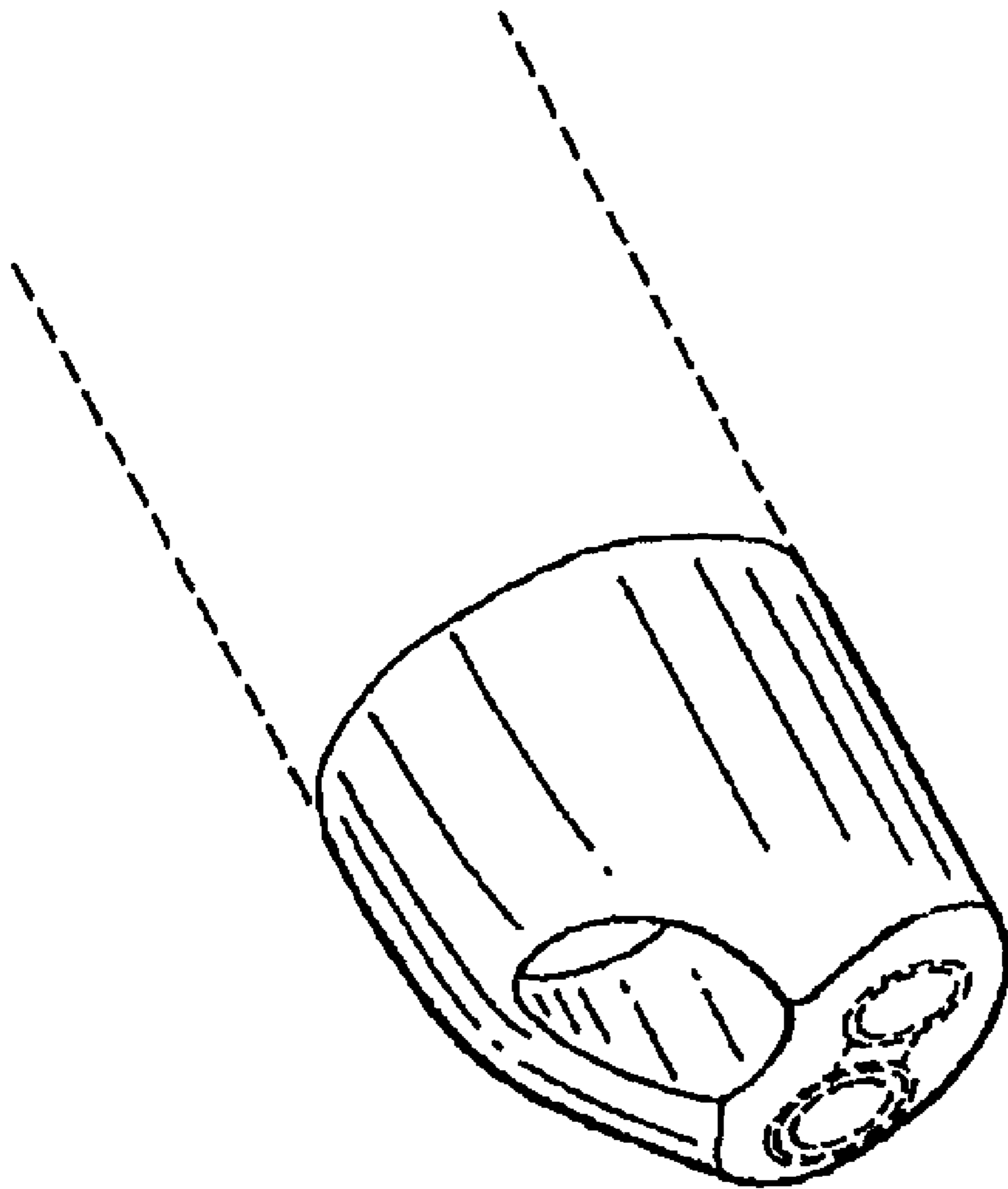


FIG. 7

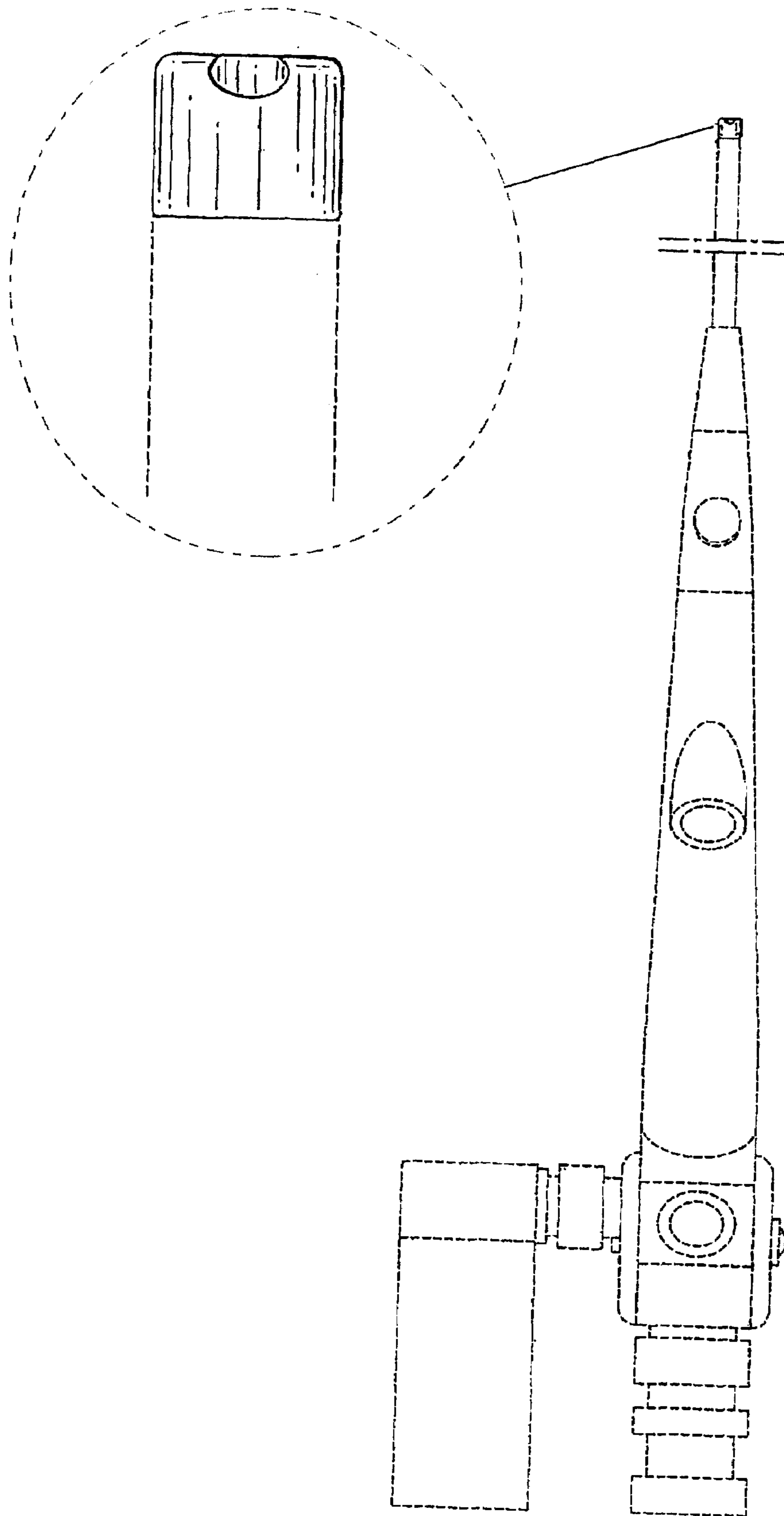


FIG. 8

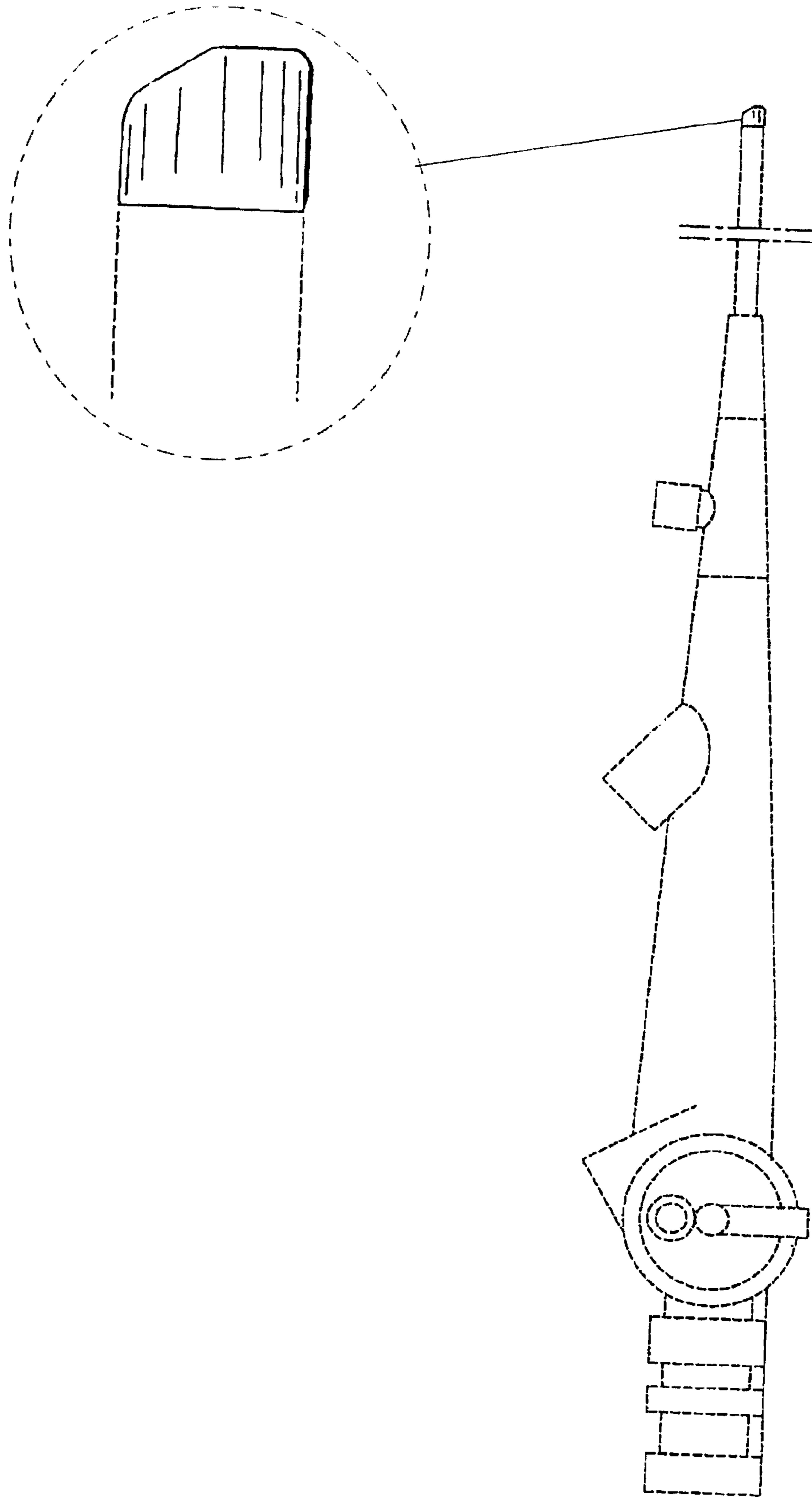


FIG. 9

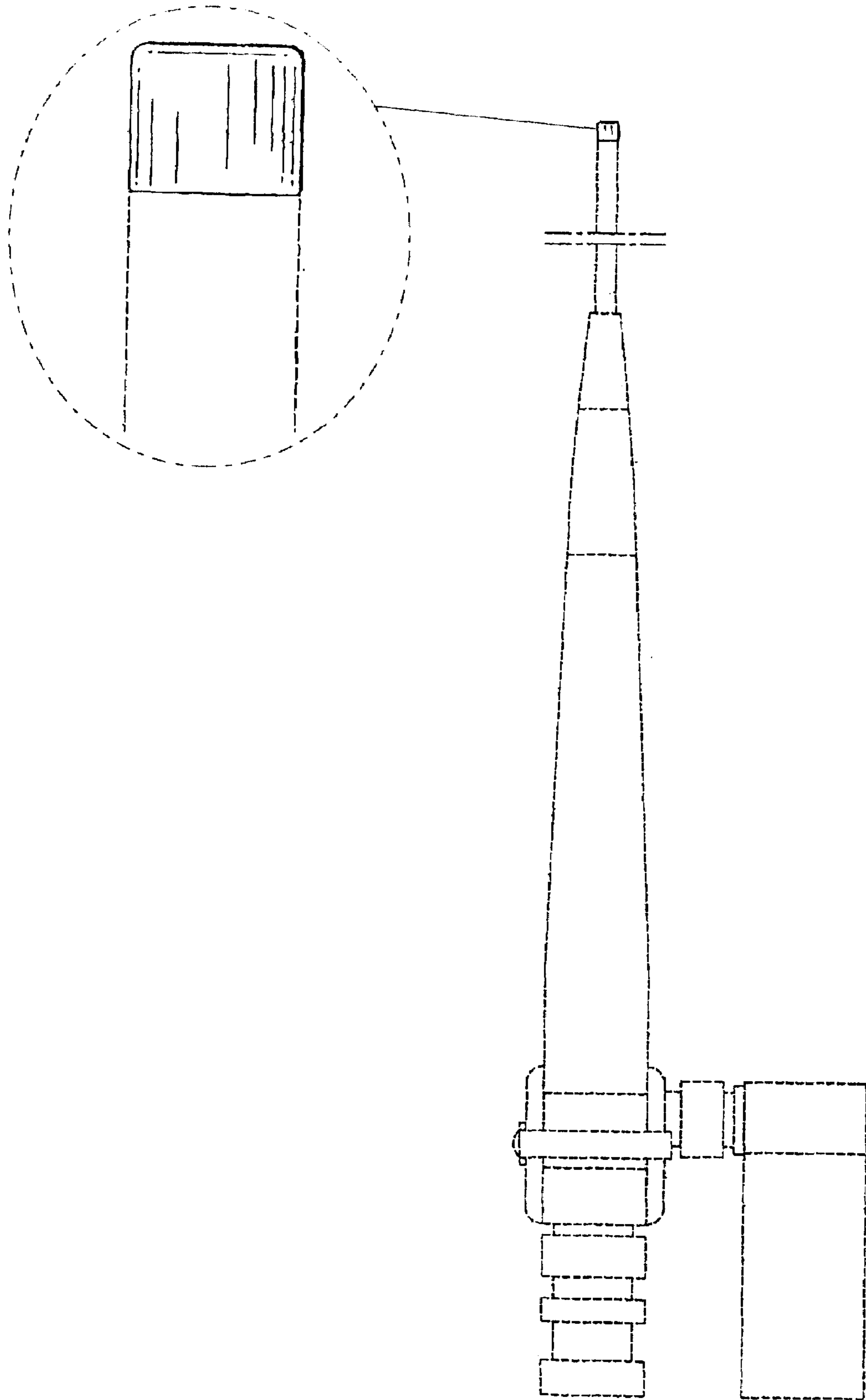


FIG. 10

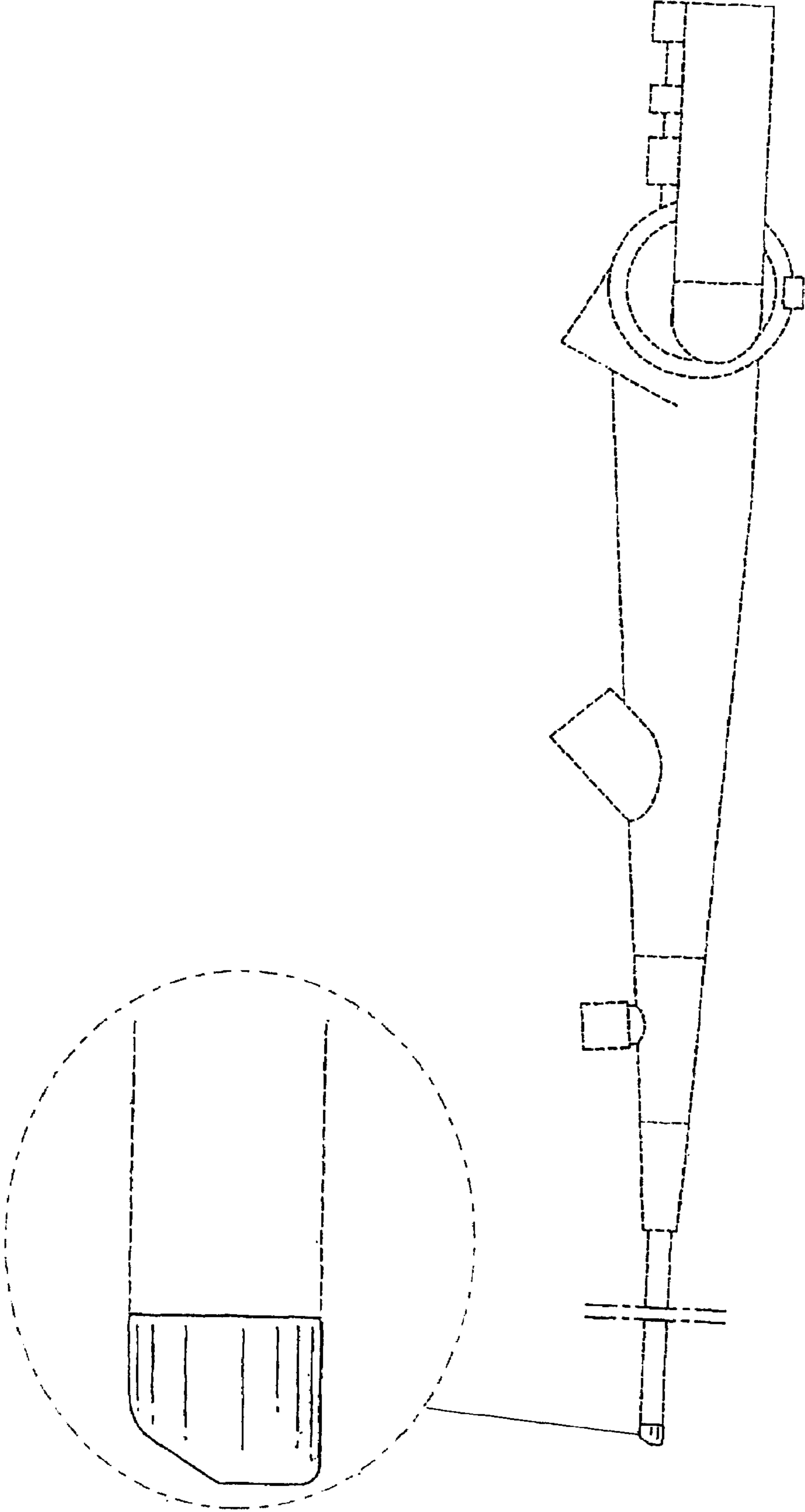


FIG. 11

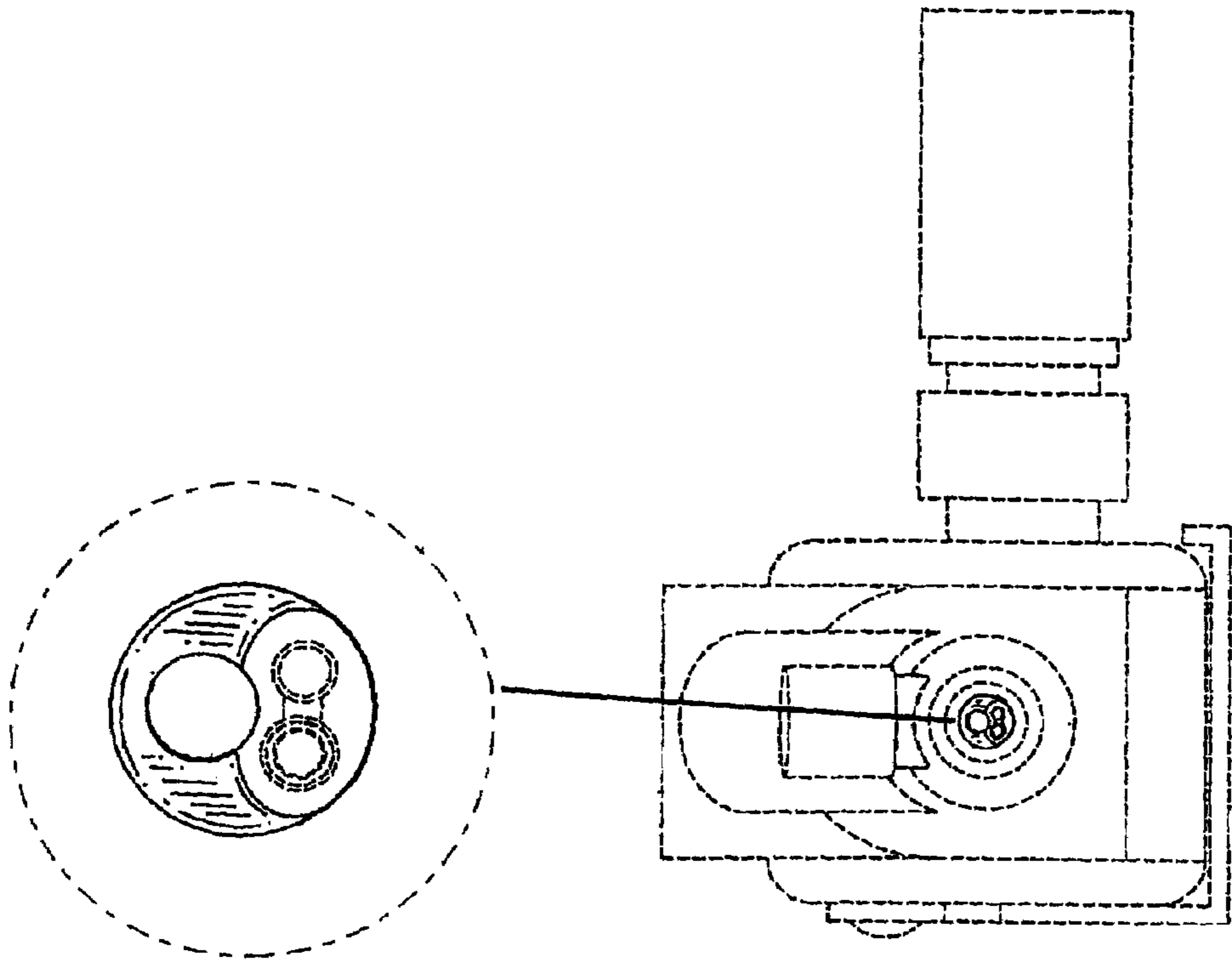


FIG. 12