

US00D549331S

(12) **United States Design Patent**
Tomatsu et al.

(10) **Patent No.:** **US D549,331 S**

(45) **Date of Patent:** **** Aug. 21, 2007**

(54) **PATELLA TRAP RETRACTOR FOR KNEE ARTHROPLASTY**

(75) Inventors: **Taisuke Tomatsu**, Tokyo (JP); **Daisuke Sato**, Tokyo (JP)

(73) Assignee: **Senko Medical Instrument Mfg., Co.**, Tokyo (JP)

(**) Term: **14 Years**

(21) Appl. No.: **29/250,418**

(22) Filed: **Nov. 14, 2006**

(30) **Foreign Application Priority Data**

Sep. 13, 2006 (JP) 2006-024500

(51) **LOC (8) Cl.** **24-02**

(52) **U.S. Cl.** **D24/135; D24/133**

(58) **Field of Classification Search** D24/135, D24/136; 600/210, 214, 217, 226, 227, 211, 600/233, 234, 235; 606/86, 88, 90
See application file for complete search history.

(56) **References Cited**

U.S. PATENT DOCUMENTS

D214,475 S * 6/1969 Forster D24/135
3,651,800 A * 3/1972 Wilbanks 600/210

4,686,972 A * 8/1987 Kurland 606/96
5,308,349 A * 5/1994 Mikhail 606/88
D522,140 S * 5/2006 Stalcup et al. D24/135
D523,142 S * 6/2006 Stalcup et al. D24/135
2005/0228233 A1 * 10/2005 Ritland 600/210

* cited by examiner

Primary Examiner—Ian Simmons

Assistant Examiner—Christopher Lee

(74) *Attorney, Agent, or Firm*—Wood, Herron & Evans, L.L.P.

(57) **CLAIM**

The ornamental design for a patella trap retractor for knee arthroplasty, as shown and described.

DESCRIPTION

FIG. 1 is a left front perspective view of a patella trap retractor for knee arthroplasty.

FIG. 2 is a front elevation view thereof. A rear elevation view is identical with the front elevation view.

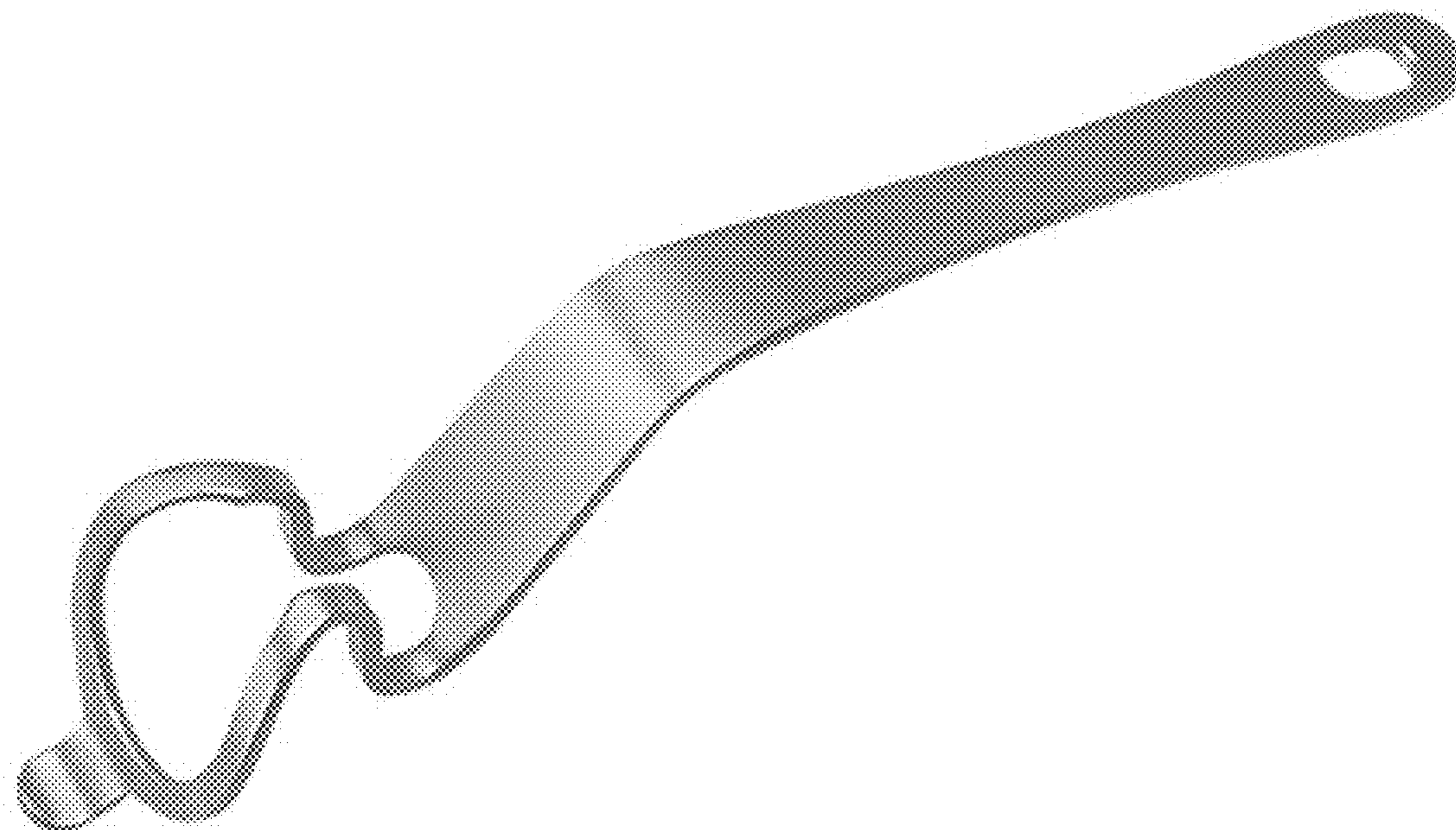
FIG. 3 is a top plan view thereof.

FIG. 4 is a bottom plan view thereof.

FIG. 5 is a left side elevational view thereof; and,

FIG. 6 is a right side elevational view.

1 Claim, 2 Drawing Sheets



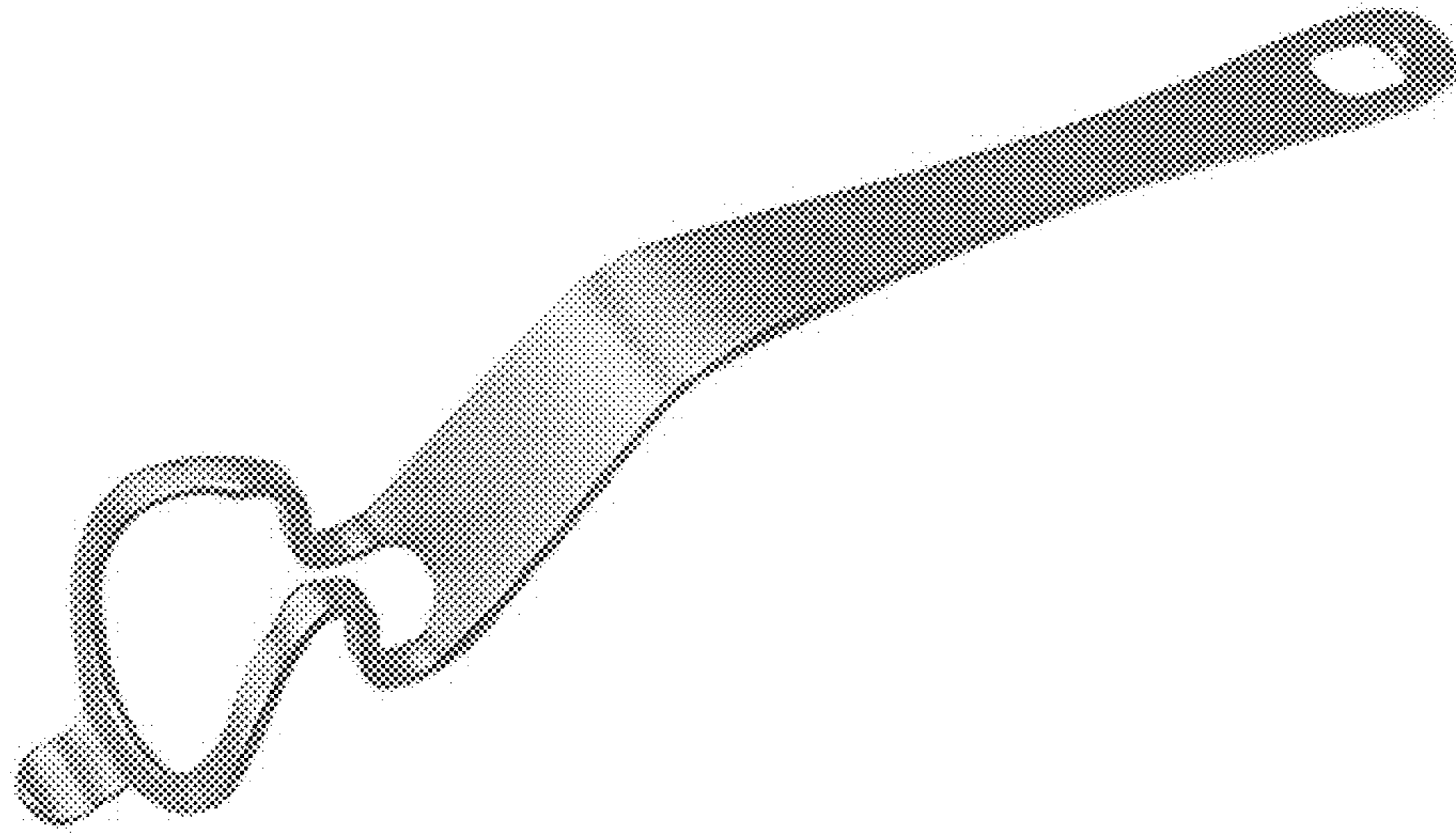


FIG. 1



FIG. 2

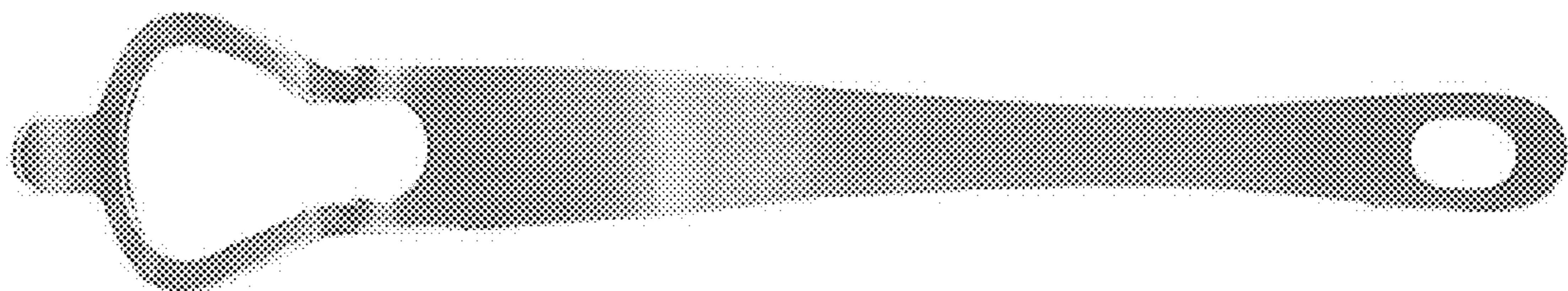


FIG. 3

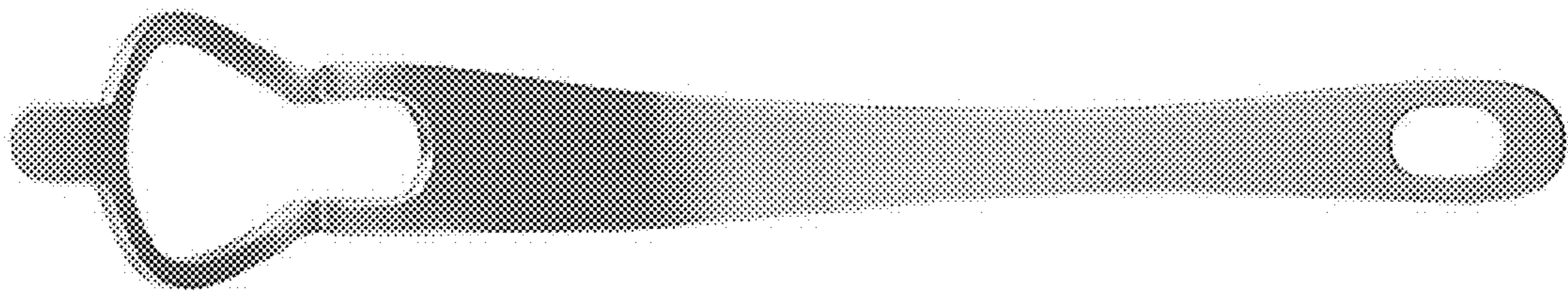


FIG. 4

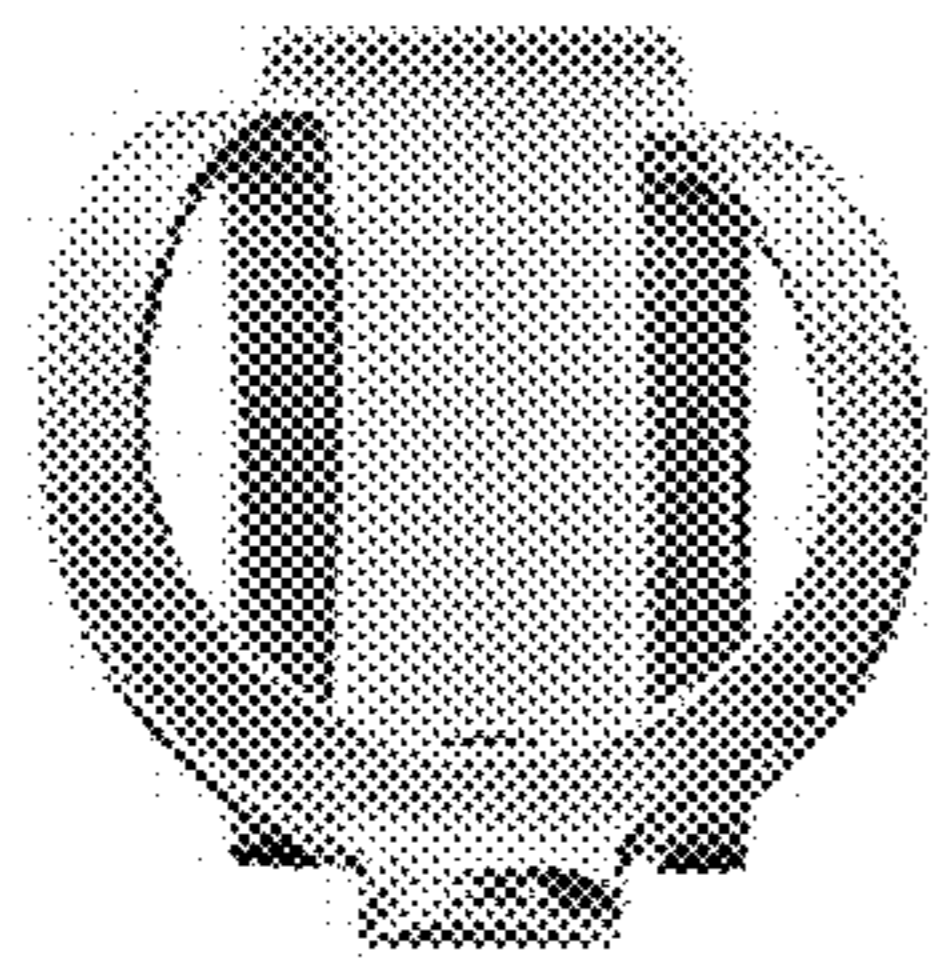


FIG. 5

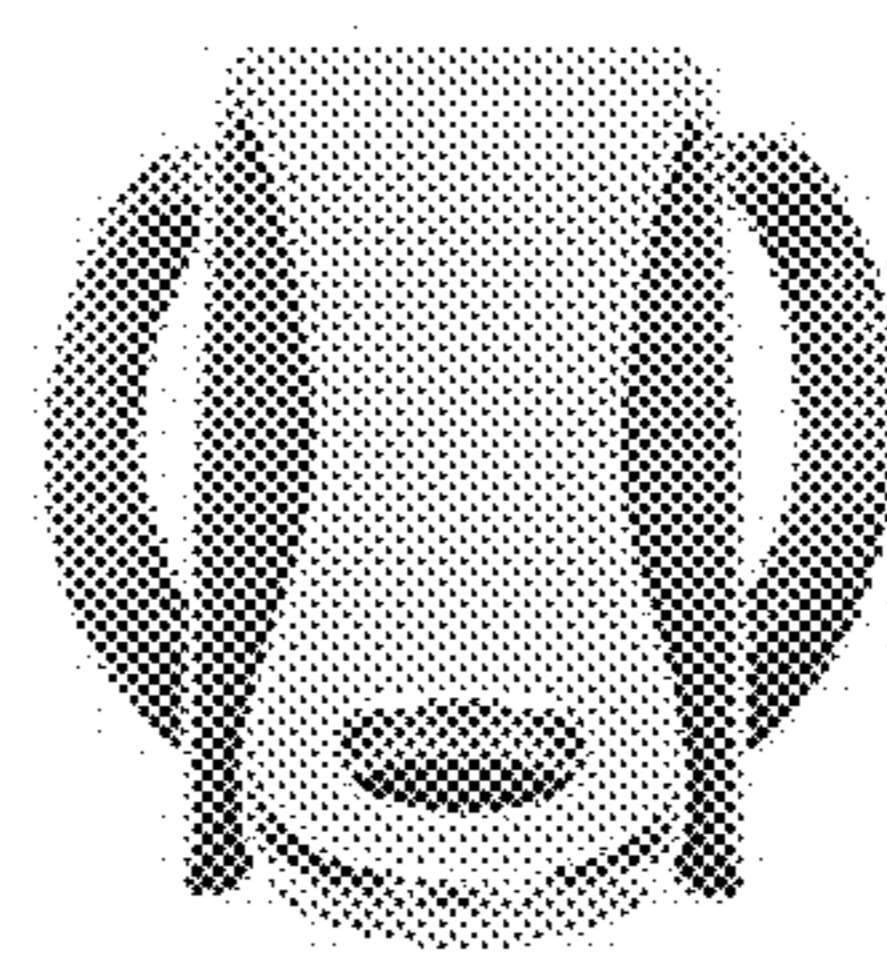


FIG. 6

UNITED STATES PATENT AND TRADEMARK OFFICE
CERTIFICATE OF CORRECTION

PATENT NO. : Des. 549,331 S
APPLICATION NO. : 29/250418
DATED : August 21, 2007
INVENTOR(S) : Tomatsu et al.

Page 1 of 1

It is certified that error appears in the above-identified patent and that said Letters Patent is hereby corrected as shown below:

Title page should read

Item (73) Assignee: Senko Medical Instrument Mfg., Co., Ltd.
Tokyo (JP)

Signed and Sealed this

Twelfth Day of May, 2009



JOHN DOLL

Acting Director of the United States Patent and Trademark Office

UNITED STATES PATENT AND TRADEMARK OFFICE
CERTIFICATE OF CORRECTION

PATENT NO. : Des. 549,331 S
APPLICATION NO. : 29/250418
DATED : August 21, 2007
INVENTOR(S) : Tomatsu et al.

Page 1 of 1

It is certified that error appears in the above-identified patent and that said Letters Patent is hereby corrected as shown below:

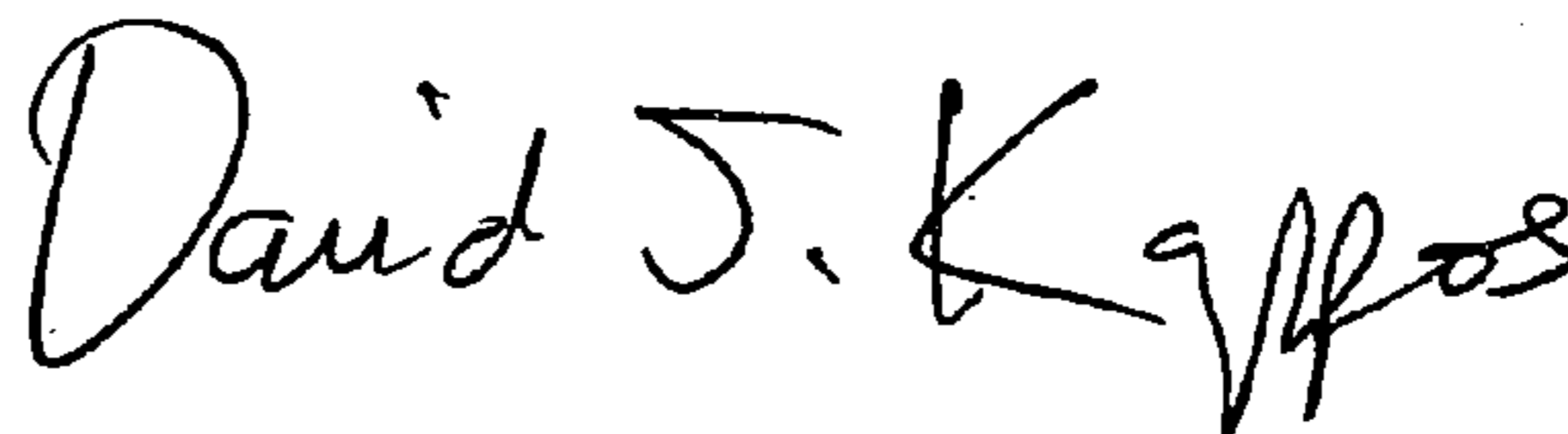
Title page should read

Item (73) Assignee: Senko Medical Instrument Mfg., Co., Ltd.
Tokyo (JP) and Fortune Ten Ltd., Tokyo (JP)

This certificate supersedes the Certificate of Correction issued May 12, 2009.

Signed and Sealed this

Twenty-seventh Day of October, 2009



David J. Kappos
Director of the United States Patent and Trademark Office