

US00D549330S

(12) **United States Design Patent** (10) **Patent No.:** **US D549,330 S**
Criscuolo et al. (45) **Date of Patent:** **** Aug. 21, 2007**

(54) **SURGICAL INSTRUMENT**

(75) Inventors: **Christopher J. Criscuolo**, Branford, CT (US); **Brian J. Creston**, Milford, CT (US); **Marco Bogazzi**, Carlstadt, NJ (US); **Alyssa Dassa**, Gorham, ME (US)

(73) Assignee: **Tyco Healthcare Group LP**, North Haven, CT (US)

(**) Term: **14 Years**

(21) Appl. No.: **29/265,447**

(22) Filed: **Aug. 30, 2006**

Related U.S. Application Data

(63) Continuation of application No. 29/191,352, filed on Oct. 6, 2003, now abandoned.

(51) **LOC (8) Cl.** **24-02**

(52) **U.S. Cl.** **D24/133; D24/143; D24/145; D24/146; D24/147**

(58) **Field of Classification Search** D24/133, D24/143, 145, 146, 147; D8/107; 606/1, 606/190, 191, 167; 604/96.01
See application file for complete search history.

(56) **References Cited**

U.S. PATENT DOCUMENTS

- 5,152,754 A 10/1992 Plyley et al.
- 5,246,425 A 9/1993 Hunsberger et al.
- 5,324,270 A 6/1994 Kayan et al.
- D349,574 S 8/1994 Metcalf et al.
- 5,391,178 A 2/1995 Yapor
- 5,403,336 A 4/1995 Kieturakis et al.
- 5,496,345 A 3/1996 Kieturakis et al.

- 5,601,589 A 2/1997 Fogarty et al.
- 5,702,416 A 12/1997 Kieturakis et al.
- 5,836,961 A 11/1998 Kieturakis et al.
- 6,168,608 B1 1/2001 Echeverry et al.
- 6,368,337 B1 4/2002 Kieturakis et al.
- D467,657 S * 12/2002 Scribner D24/133
- 6,497,687 B1 12/2002 Blanco
- 6,514,272 B1 2/2003 Kieturakis et al.
- D490,895 S * 6/2004 Bogazzi D24/133
- D495,053 S 8/2004 Laun
- D510,247 S * 10/2005 White D8/68
- 2004/0127888 A1 * 7/2004 O'Neil et al. 606/1

* cited by examiner

Primary Examiner—Ian Simmons
Assistant Examiner—Christopher Lee

(57) **CLAIM**

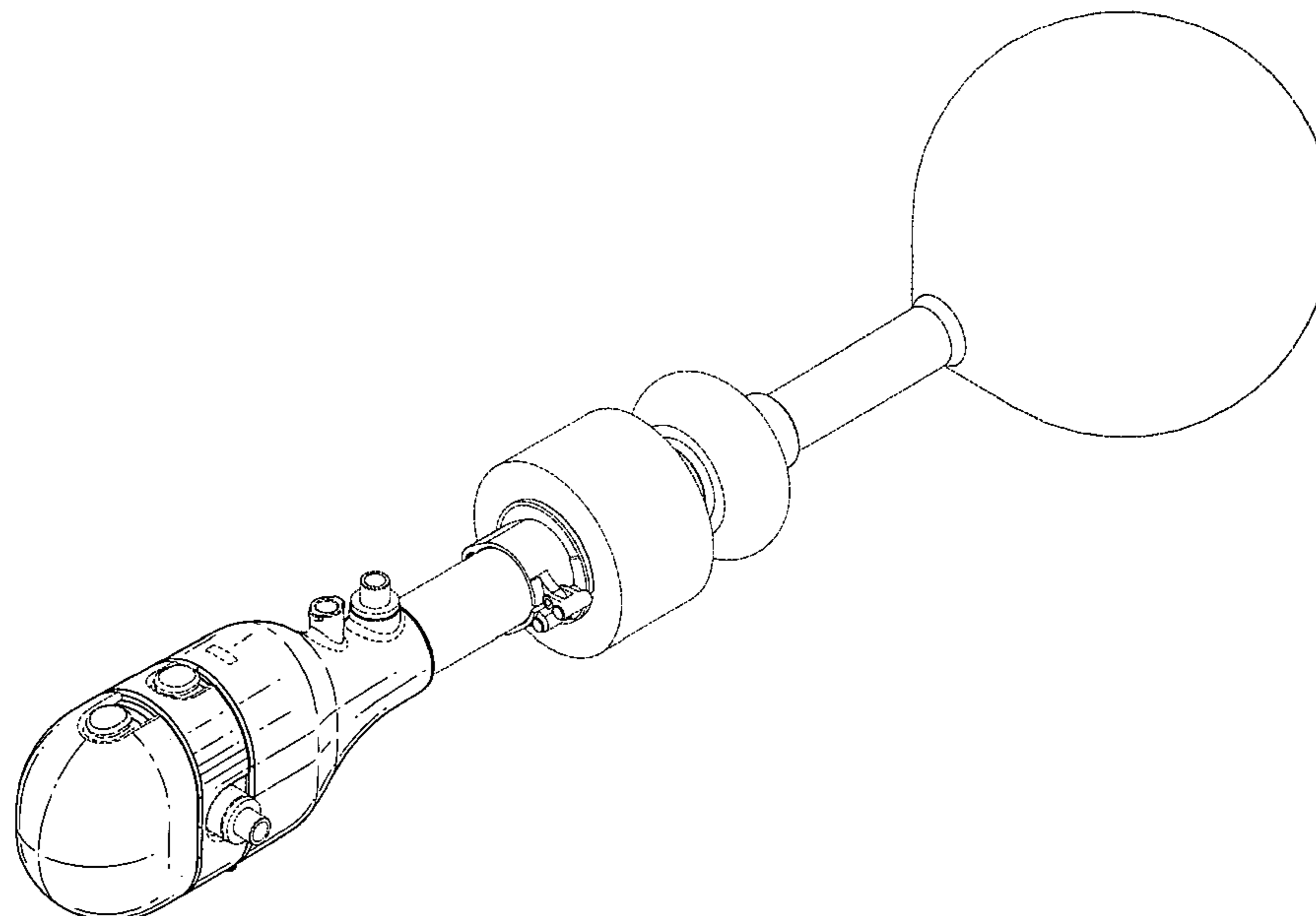
The ornamental design for a surgical instrument, as shown and described.

DESCRIPTION

FIG. 1 is a perspective view of a surgical instrument of our new design;
FIG. 2 is a left perspective view thereof;
FIG. 3 is a top plan view thereof;
FIG. 4 is a right elevational view thereof;
FIG. 5 is a bottom plan view thereof;
FIG. 6 is a rear elevational view thereof; and,
FIG. 7 is a front elevational view.

The broken lines showing in FIGS. 1–7 are for illustrative purposes only and form no part of the claimed design.

1 Claim, 4 Drawing Sheets



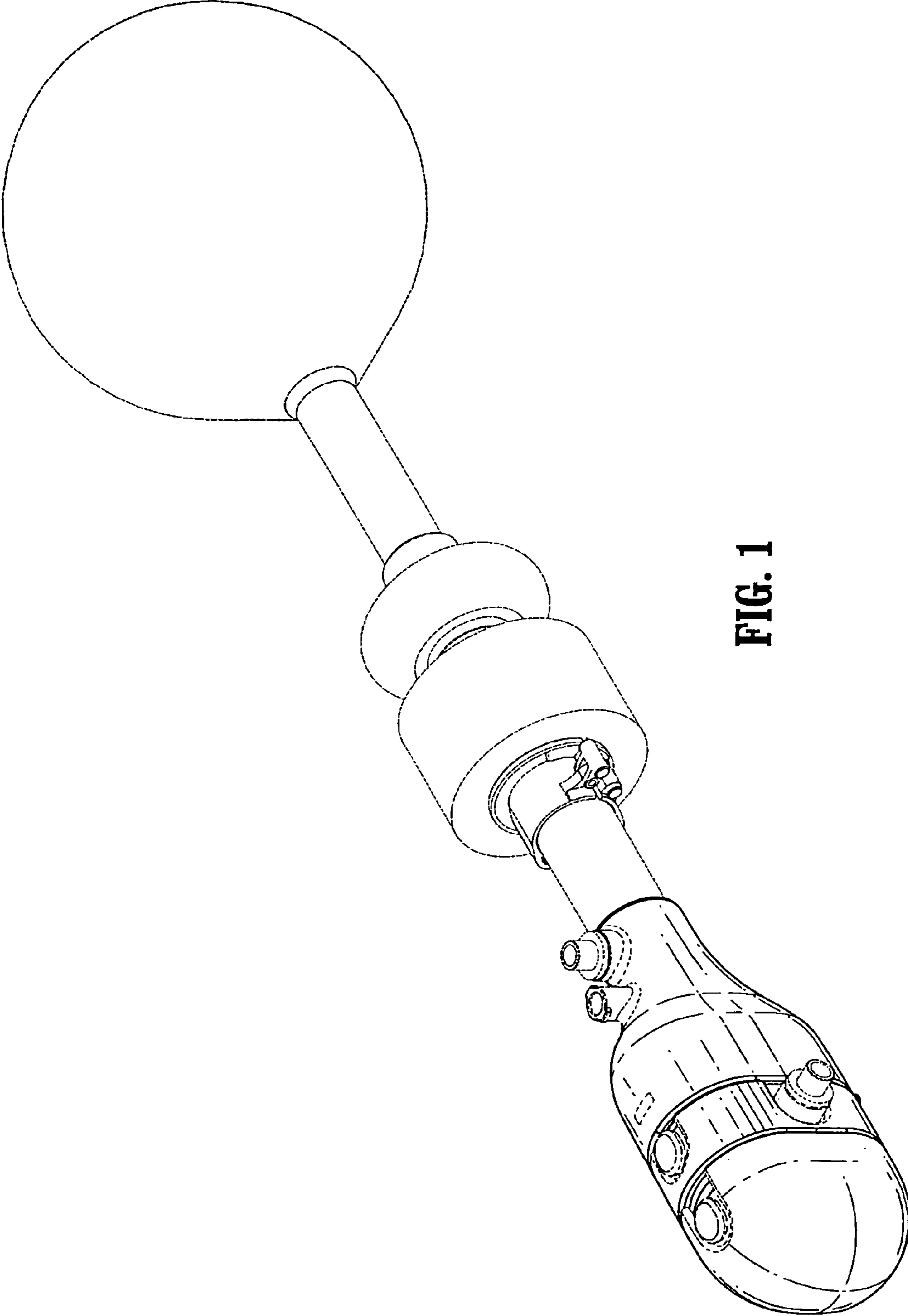


FIG. 1

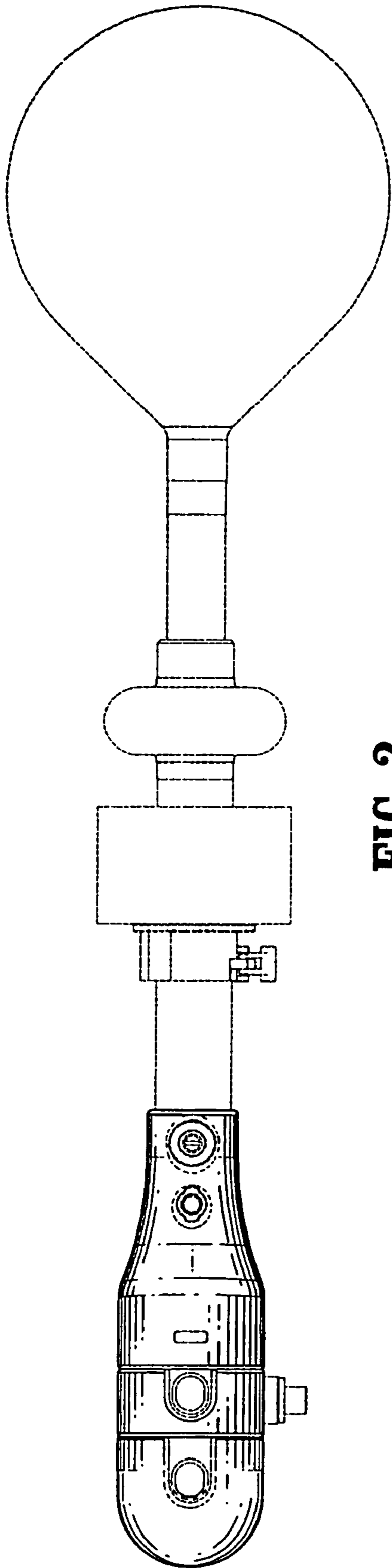


FIG. 2

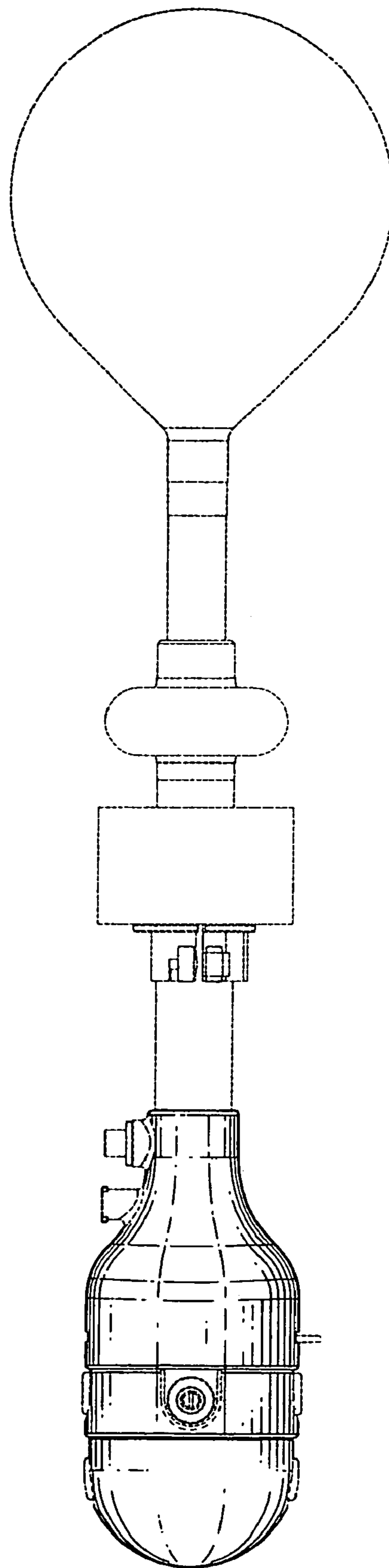


FIG. 3

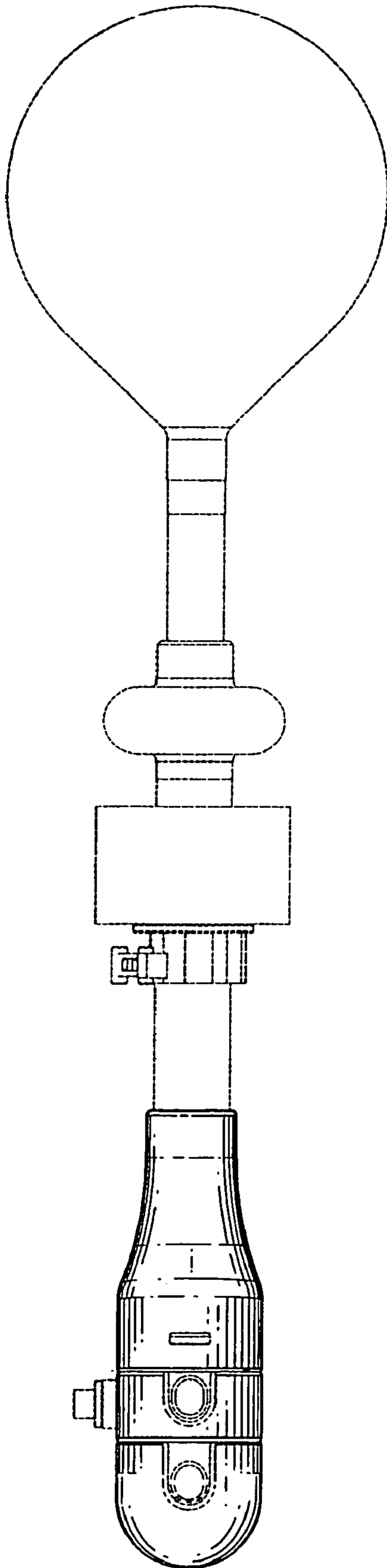


FIG. 4

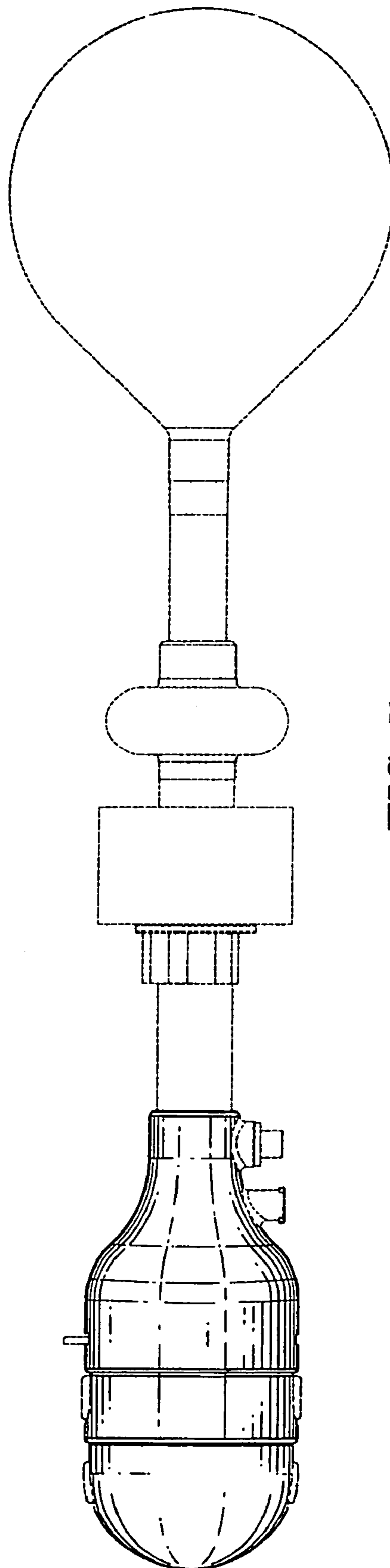


FIG. 5

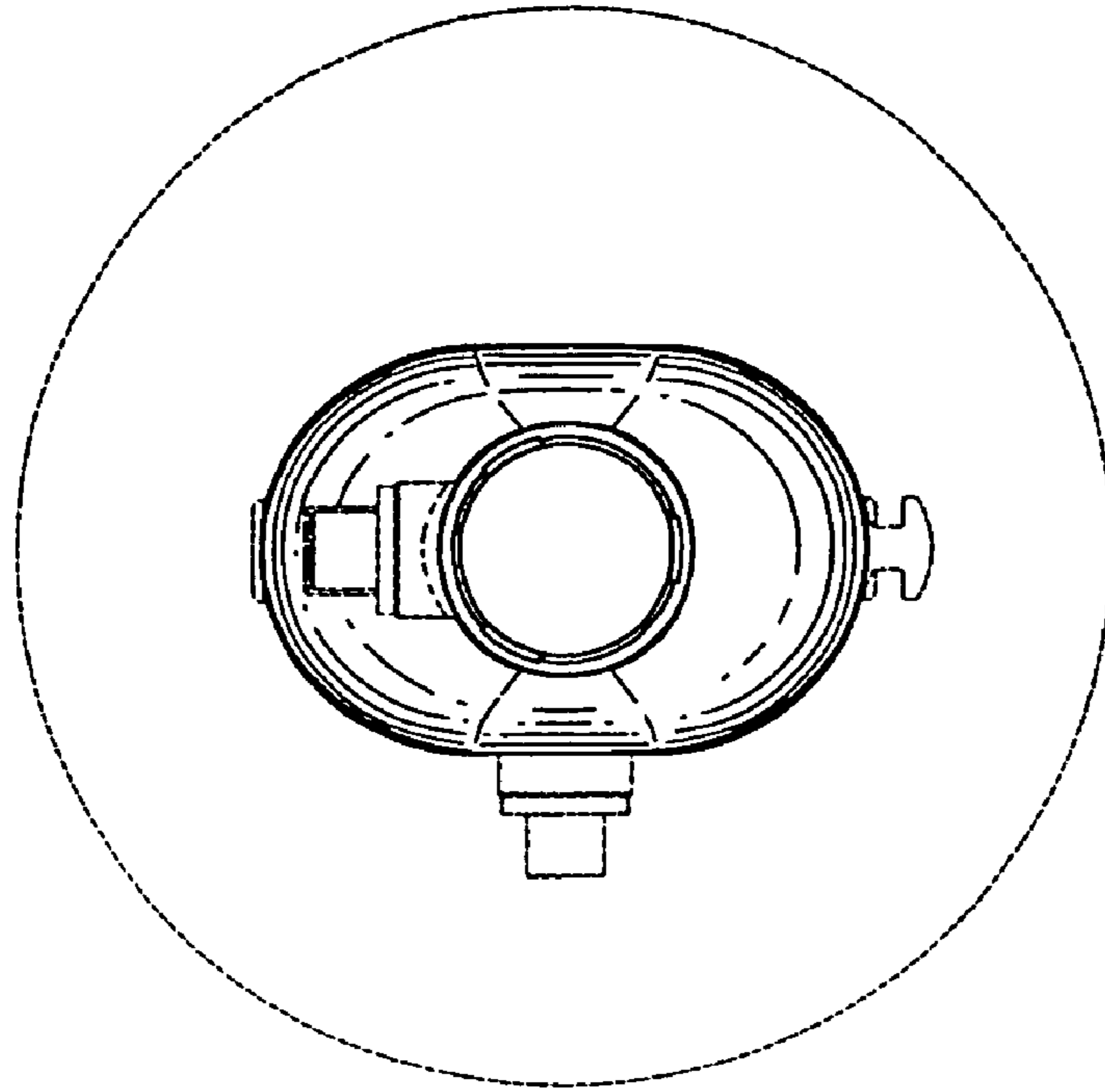


FIG. 7

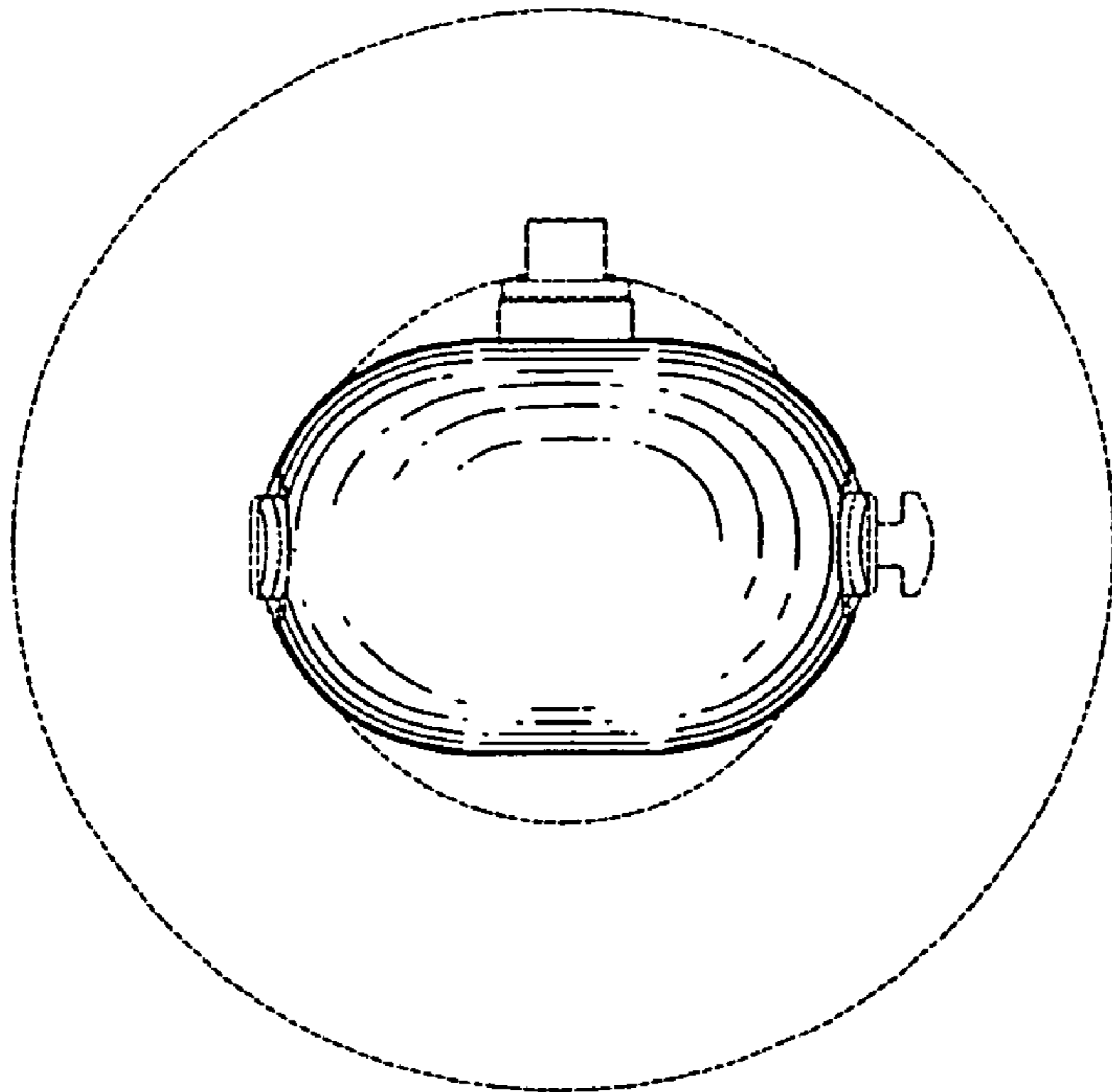


FIG. 6