



US00D549329S

(12) **United States Design Patent**  
**Aparici et al.**

(10) **Patent No.:** **US D549,329 S**

(45) **Date of Patent:** **\*\* Aug. 21, 2007**

(54) **HANDLE FOR SURGICAL INSTRUMENTS**

5,720,750 A \* 2/1998 Koller et al. .... 606/85  
D509,587 S \* 9/2005 McMinn et al. .... D24/140

(76) Inventors: **Alfredo Sierra Aparici**, c/Dr. Jose Chabas No. 3, Valencia (ES) 46019;  
**Vicente Fores Ahuir**, Avda. del Puerto No. 32, 4-8, Valencia (ES) 46023

\* cited by examiner

*Primary Examiner*—Ian Simmons  
*Assistant Examiner*—Christopher Lee  
(74) *Attorney, Agent, or Firm*—Sanchelima & Assoc., P.A.

(\*\*) Term: **14 Years**

(21) Appl. No.: **29/250,369**

(57) **CLAIM**

(22) Filed: **Nov. 10, 2006**

The ornamental design for a handle for surgical instruments, as shown and described.

(51) **LOC (8) Cl.** ..... **24-02**

(52) **U.S. Cl.** ..... **D24/133**

(58) **Field of Classification Search** ..... D24/133,  
D24/140, 141, 147; D7/393, 395; D8/83,  
D8/77, 75, 107; D22/117; 606/79, 85, 86,  
606/88, 91, 96

See application file for complete search history.

**DESCRIPTION**

FIG. 1 is a front elevational view of a handle for surgical instruments showing our new design;

FIG. 2 is a rear elevational view thereof;

FIG. 3 is a left side elevational view thereof;

FIG. 4 is a right side elevational view thereof;

FIG. 5 is a bottom plan view thereof;

FIG. 6 is a top plan view thereof; and,

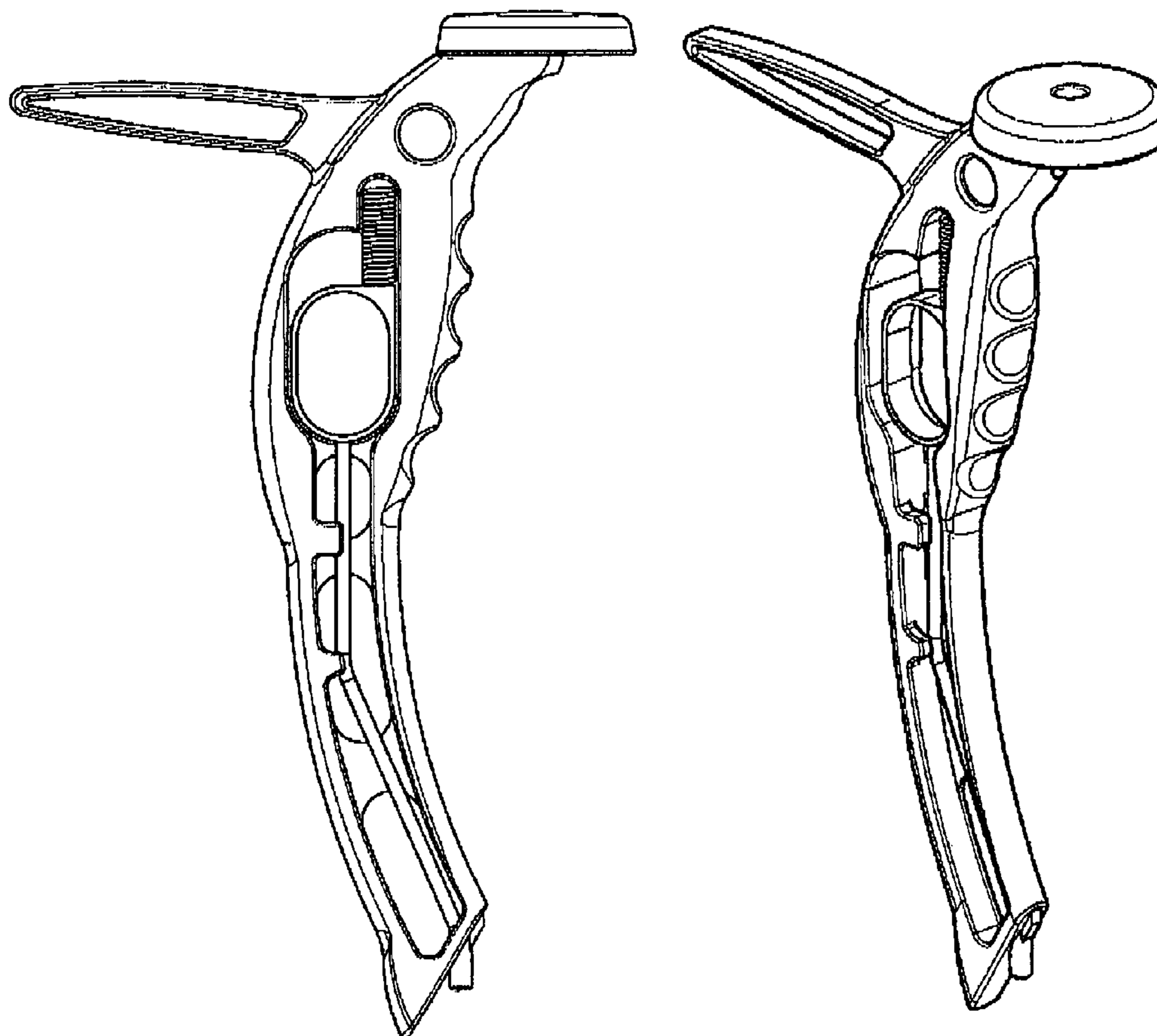
FIG. 7 is a isometric view thereof showing our design.

(56) **References Cited**

**U.S. PATENT DOCUMENTS**

D326,912 S \* 6/1992 Wasilewski ..... D24/147  
5,350,381 A \* 9/1994 Melton ..... 606/85  
5,443,471 A \* 8/1995 Swajger ..... 606/99

**1 Claim, 3 Drawing Sheets**



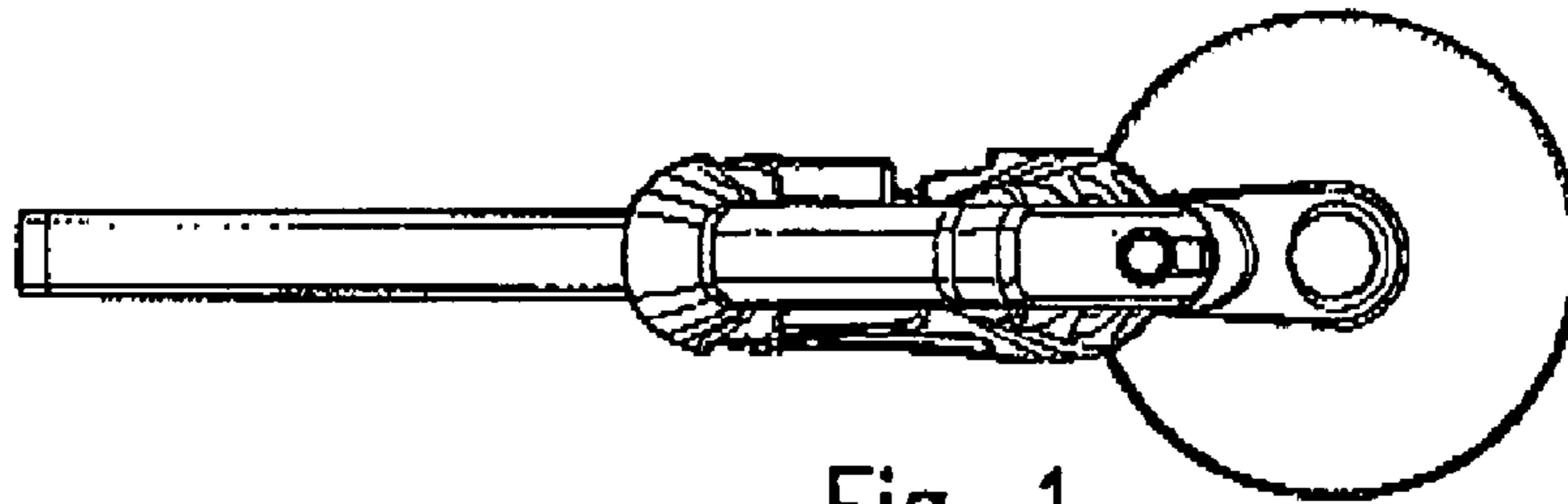


Fig. 1

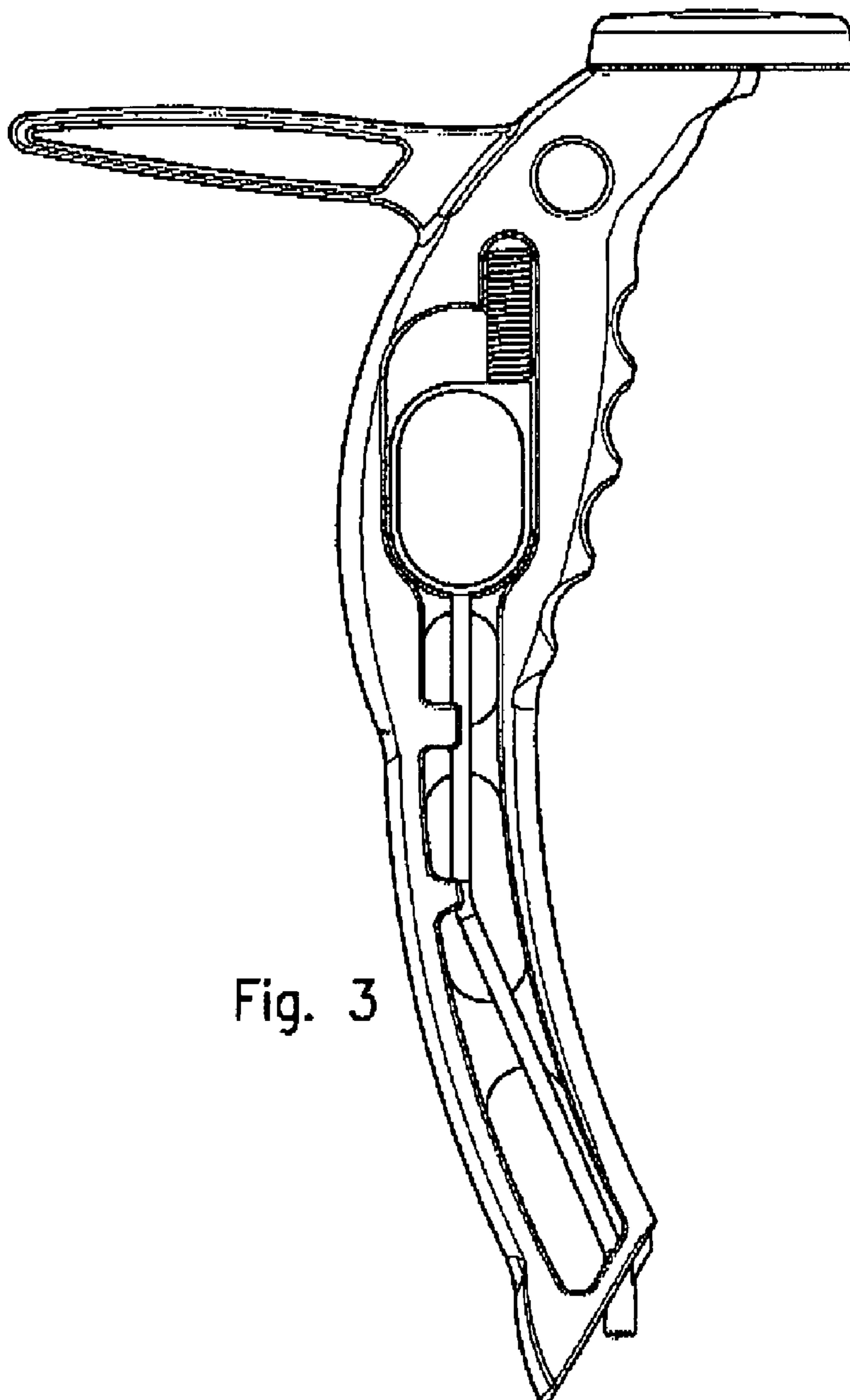


Fig. 3

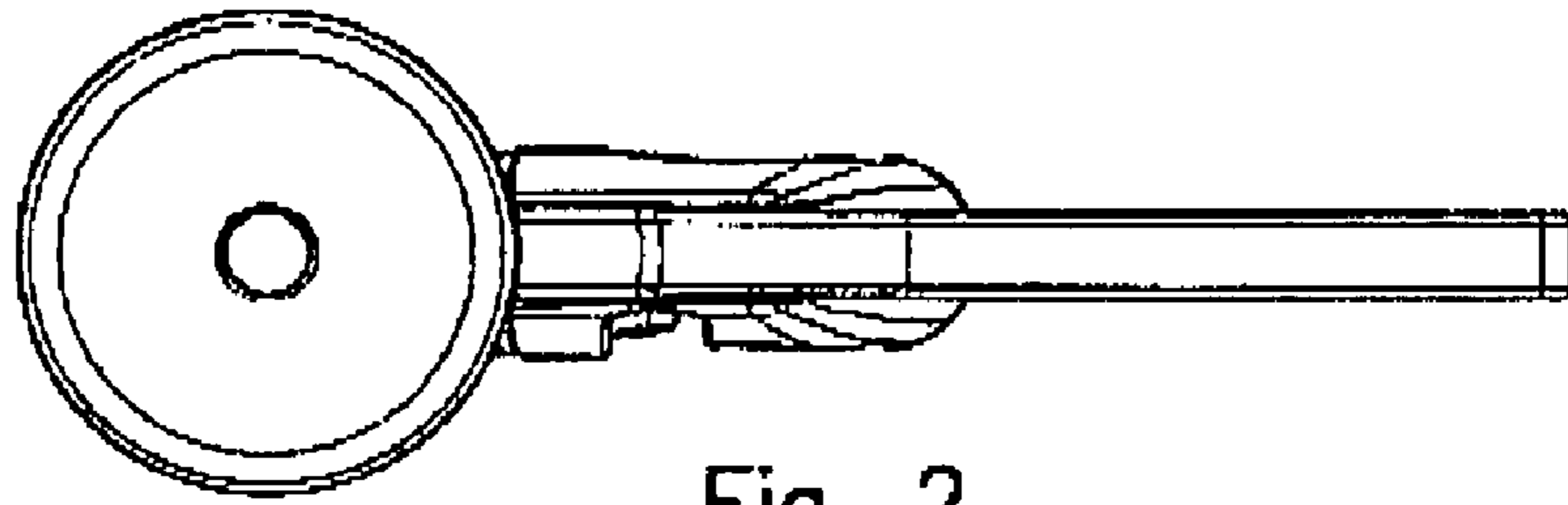


Fig. 2

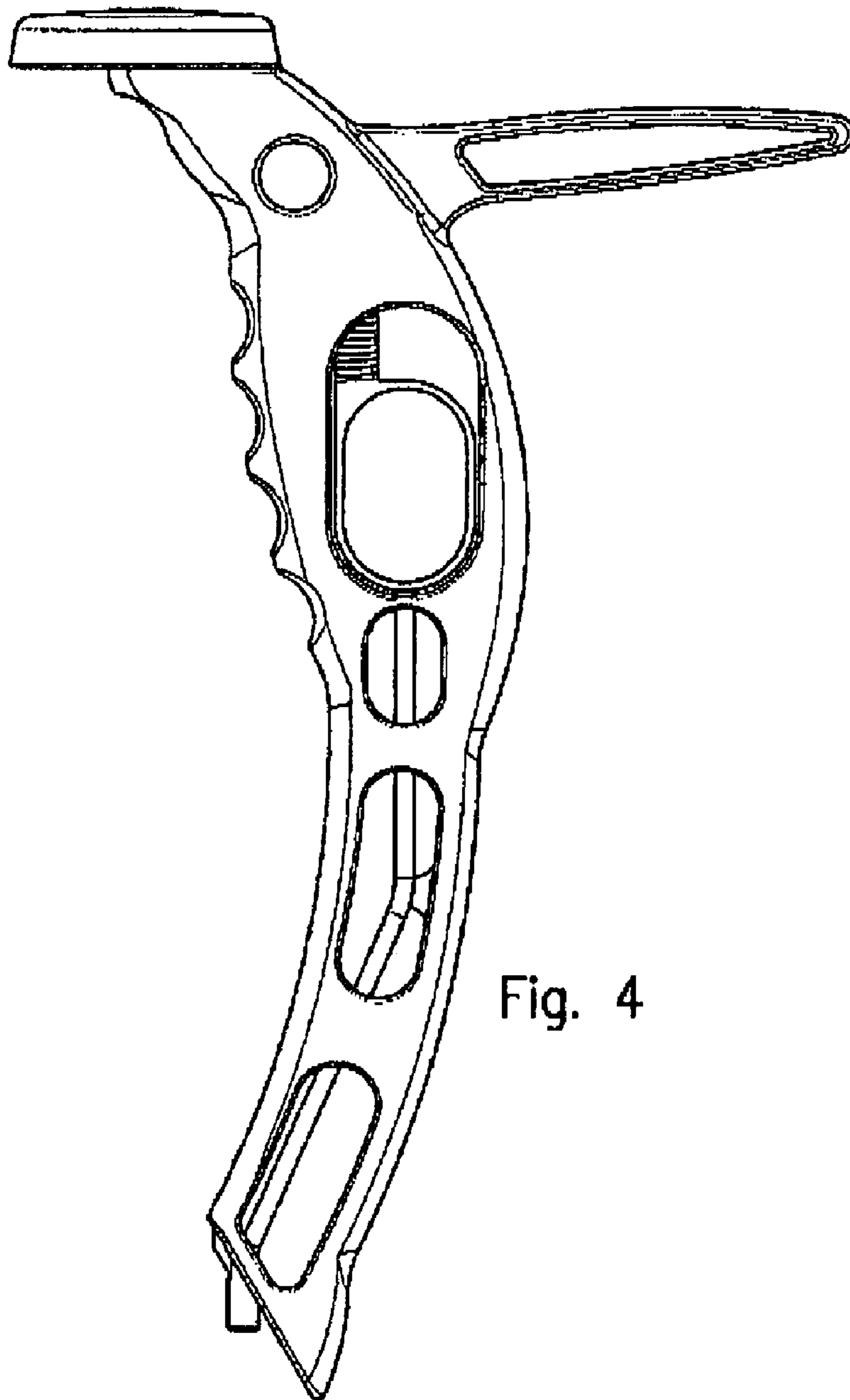


Fig. 4

