



US00D549324S

(12) **United States Design Patent**
Fehling

(10) **Patent No.:** **US D549,324 S**

(45) **Date of Patent:** **** Aug. 21, 2007**

(54) **HANDLE FOR A SURGICAL INSTRUMENT**

(75) Inventor: **Guido F. Fehling**, Karlstein (DE)

(73) Assignee: **Fehling AG** (CH)

(**) Term: **14 Years**

(21) Appl. No.: **29/232,031**

(22) Filed: **Jun. 14, 2005**

(30) **Foreign Application Priority Data**

Dec. 14, 2004 (DE) 4 04 07 008

(51) **LOC (8) Cl.** **24-02**

(52) **U.S. Cl.** **D24/127**

(58) **Field of Classification Search** D24/127,
D24/133, 144, 146-147; 606/83, 139, 141,
606/170-171, 184, 206; 128/1 R, 4, 6, 33 A,
128/325-327, 831; 221/65, 312 A
See application file for complete search history.

(56) **References Cited**

U.S. PATENT DOCUMENTS

4,499,899	A *	2/1985	Lyons, III	606/170
5,235,966	A *	8/1993	Jamner	600/204
5,354,304	A *	10/1994	Allen et al.	606/142
5,571,117	A *	11/1996	Ahn	606/139
6,440,133	B1 *	8/2002	Beale et al.	606/61
D463,859	S *	10/2002	Koros et al.	D24/147
7,052,505	B2 *	5/2006	Widmann	606/167
2003/0023249	A1 *	1/2003	Manetakis	606/139

2003/0105475	A1 *	6/2003	Sancoff et al.	606/139
2003/0114863	A1 *	6/2003	Field et al.	606/139
2006/0189995	A1 *	8/2006	Lancial	606/83
2006/0217752	A1 *	9/2006	Cho	606/184

* cited by examiner

Primary Examiner—Louis S. Zarfes

Assistant Examiner—Eric L. Goodman

(74) *Attorney, Agent, or Firm*—Akerman Senterfitt; Peter A. Chiabotti

(57) **CLAIM**

The ornamental design for a handle for a surgical instrument, as shown and described.

DESCRIPTION

FIG. 1 is a first side view of a handle for a surgical instrument, the opposite side view being symmetric-opposite to the first side view;

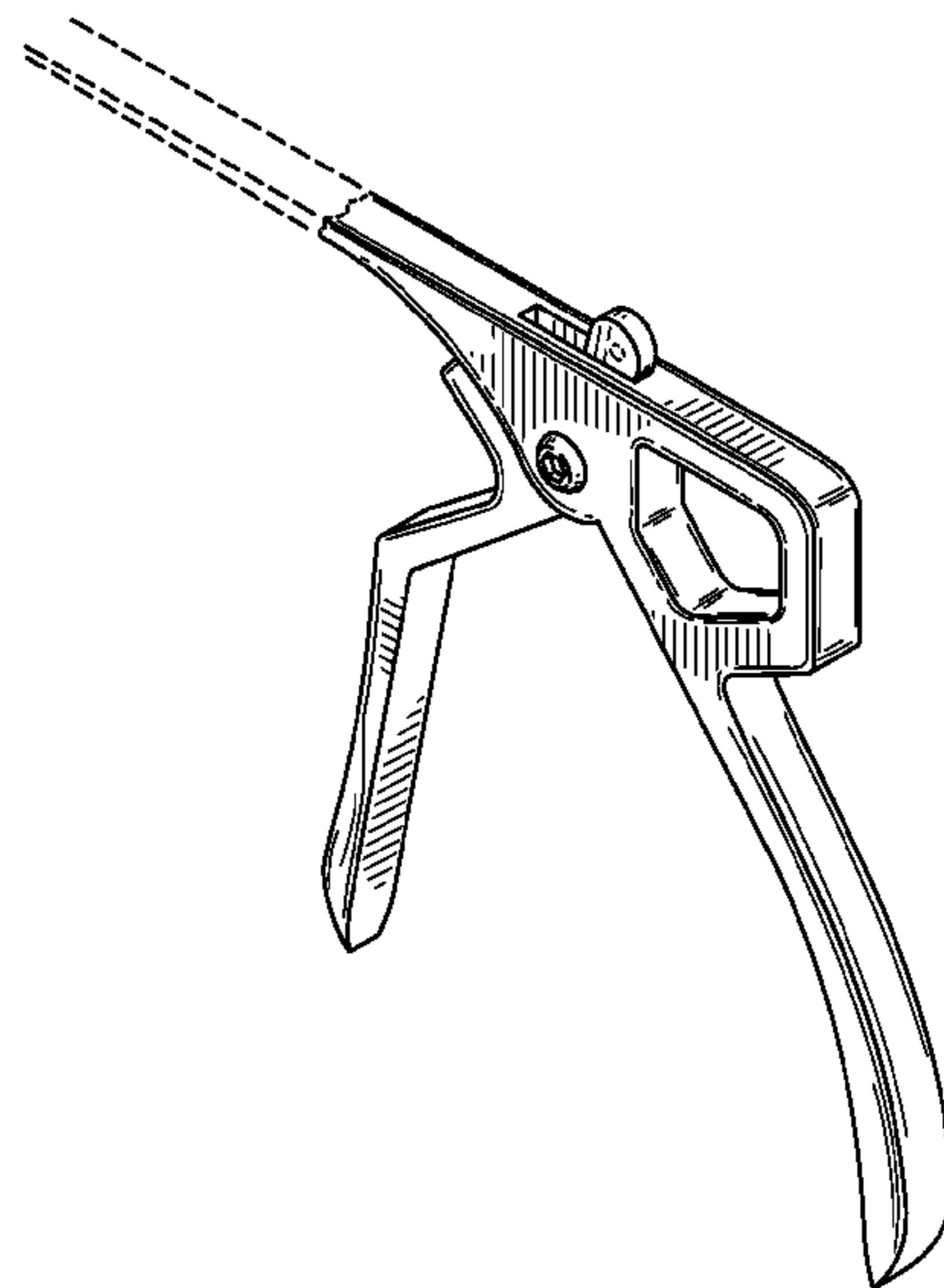
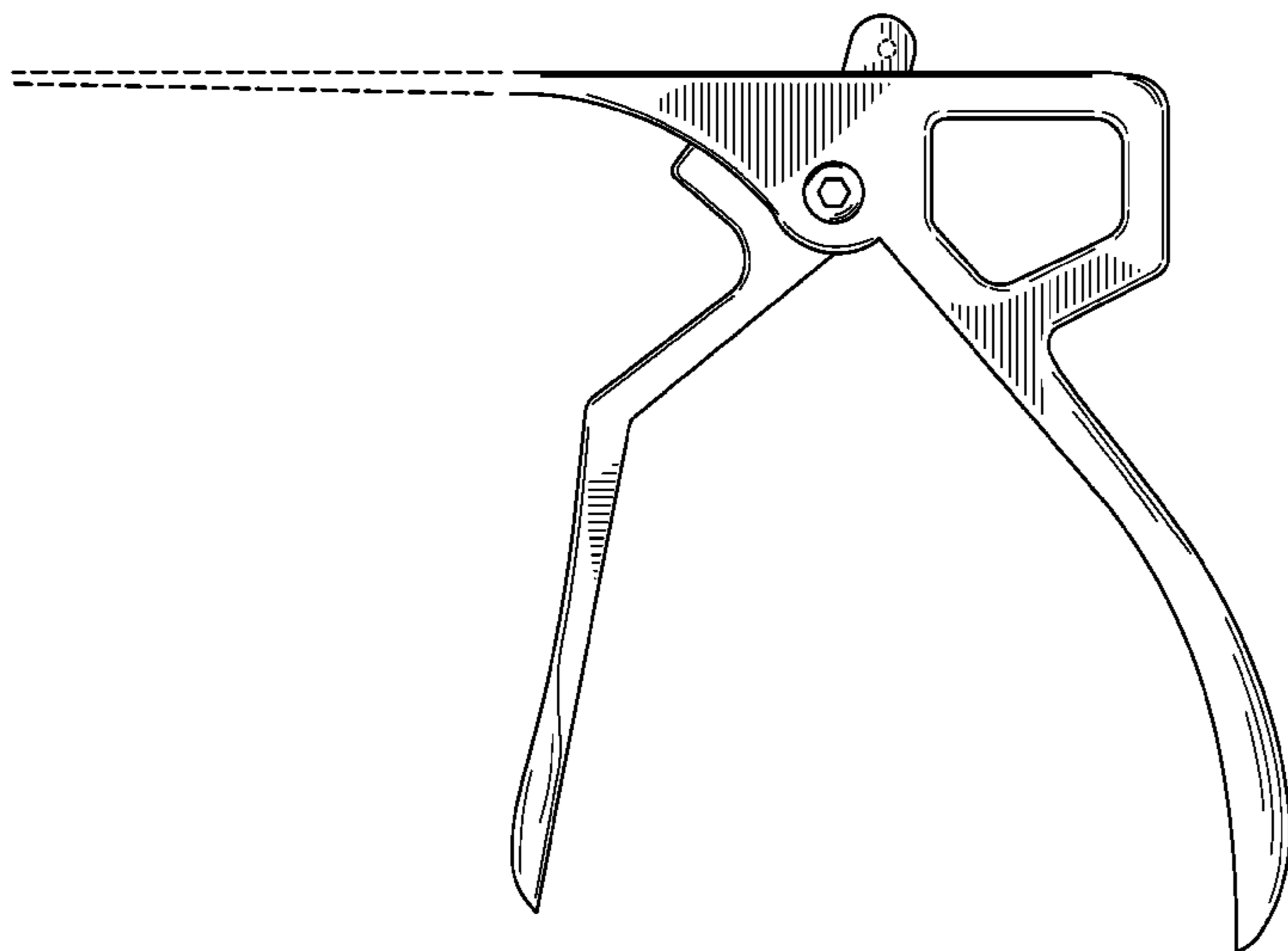
FIG. 2 is an elevated perspective view of the handle for a surgical grip of FIG. 1;

FIG. 3 is a first side view of an alternative embodiment of the handle for a surgical instrument, the opposite side view being symmetric-opposite to the first side view; and,

FIG. 4 is an elevated perspective view of the handle for the surgical grip of FIG. 3.

The portions of the handle for a surgical instrument shown in broken lines form no part of the claimed design.

1 Claim, 4 Drawing Sheets



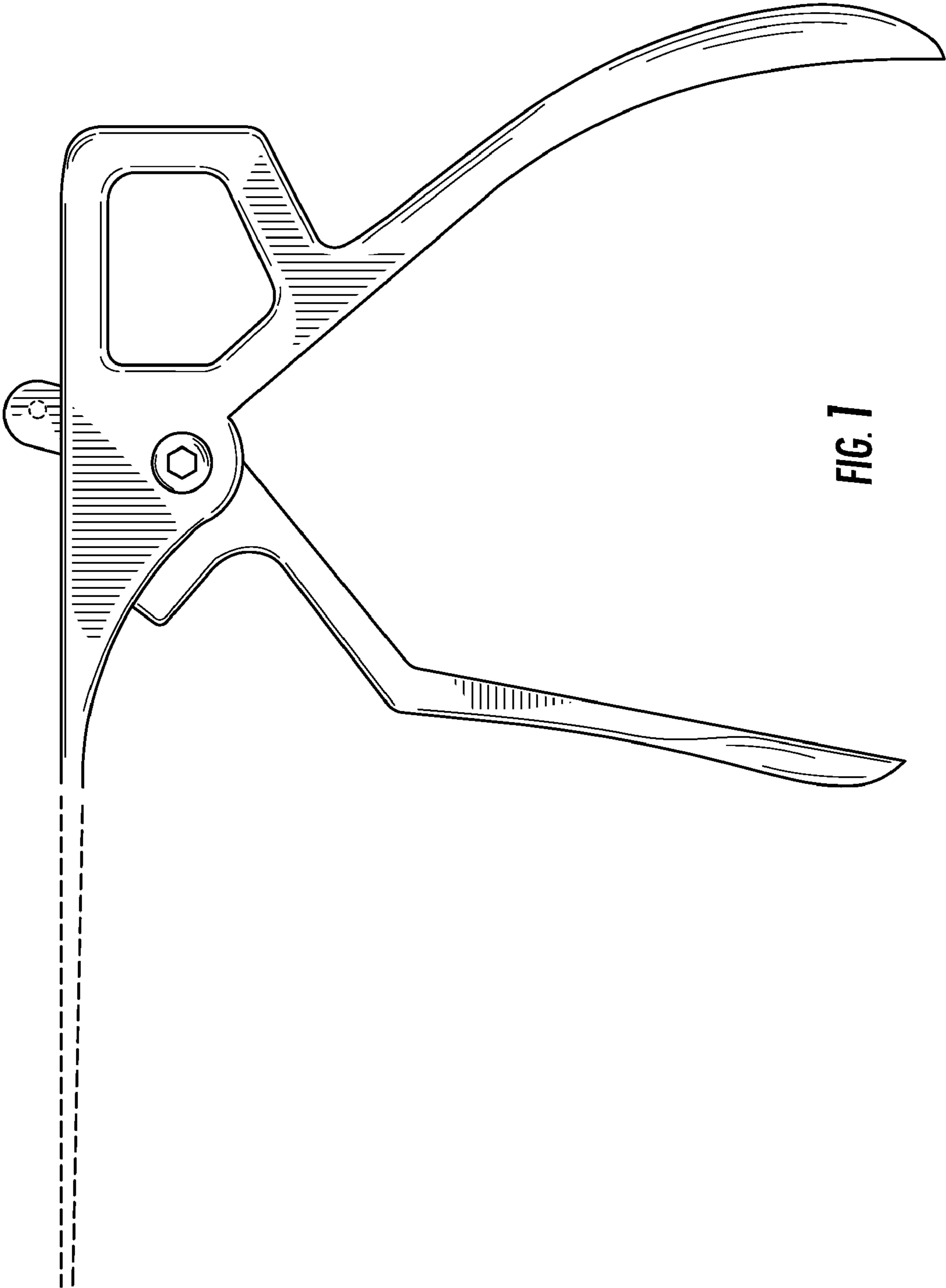


FIG. 1

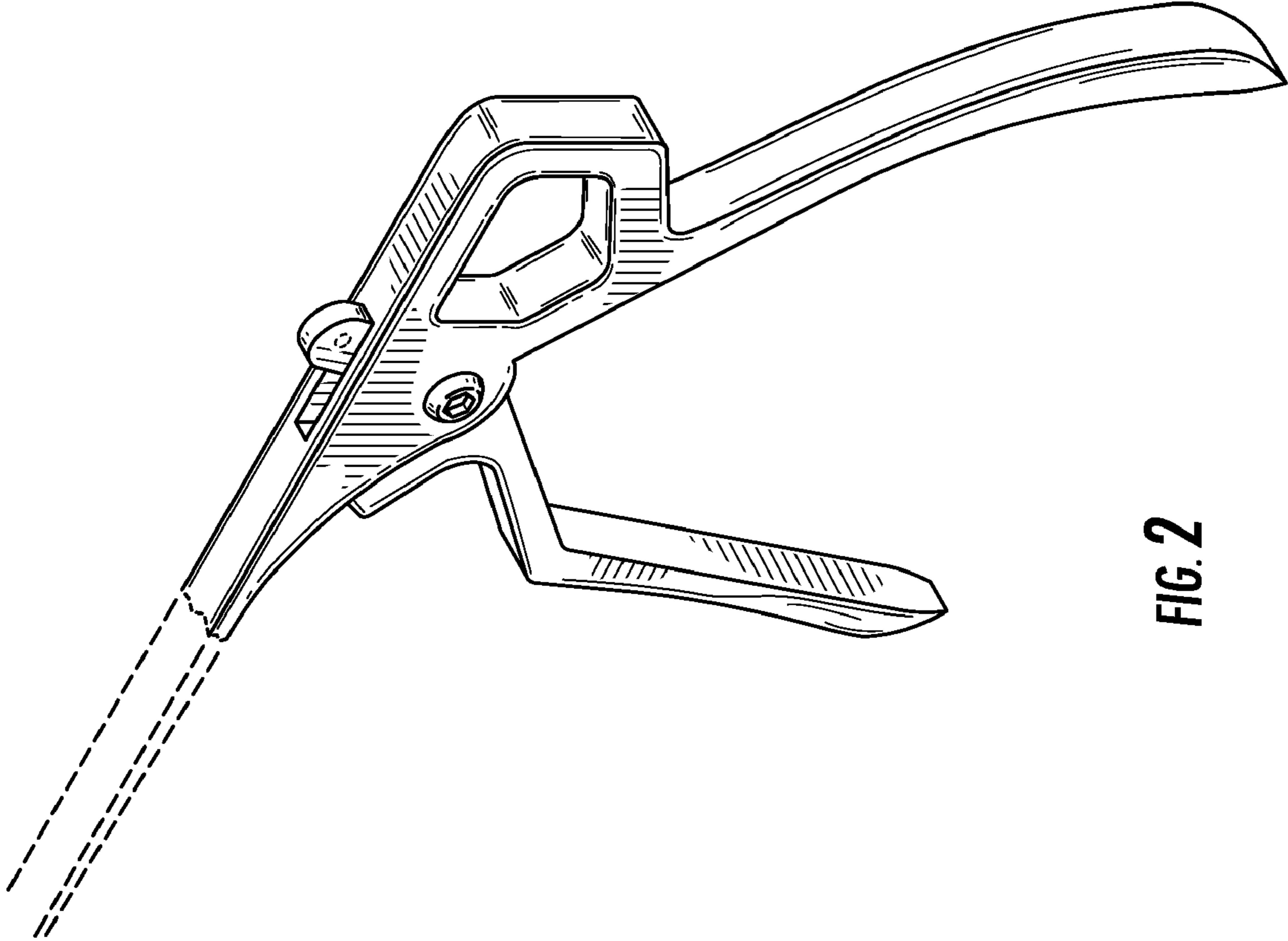


FIG. 2

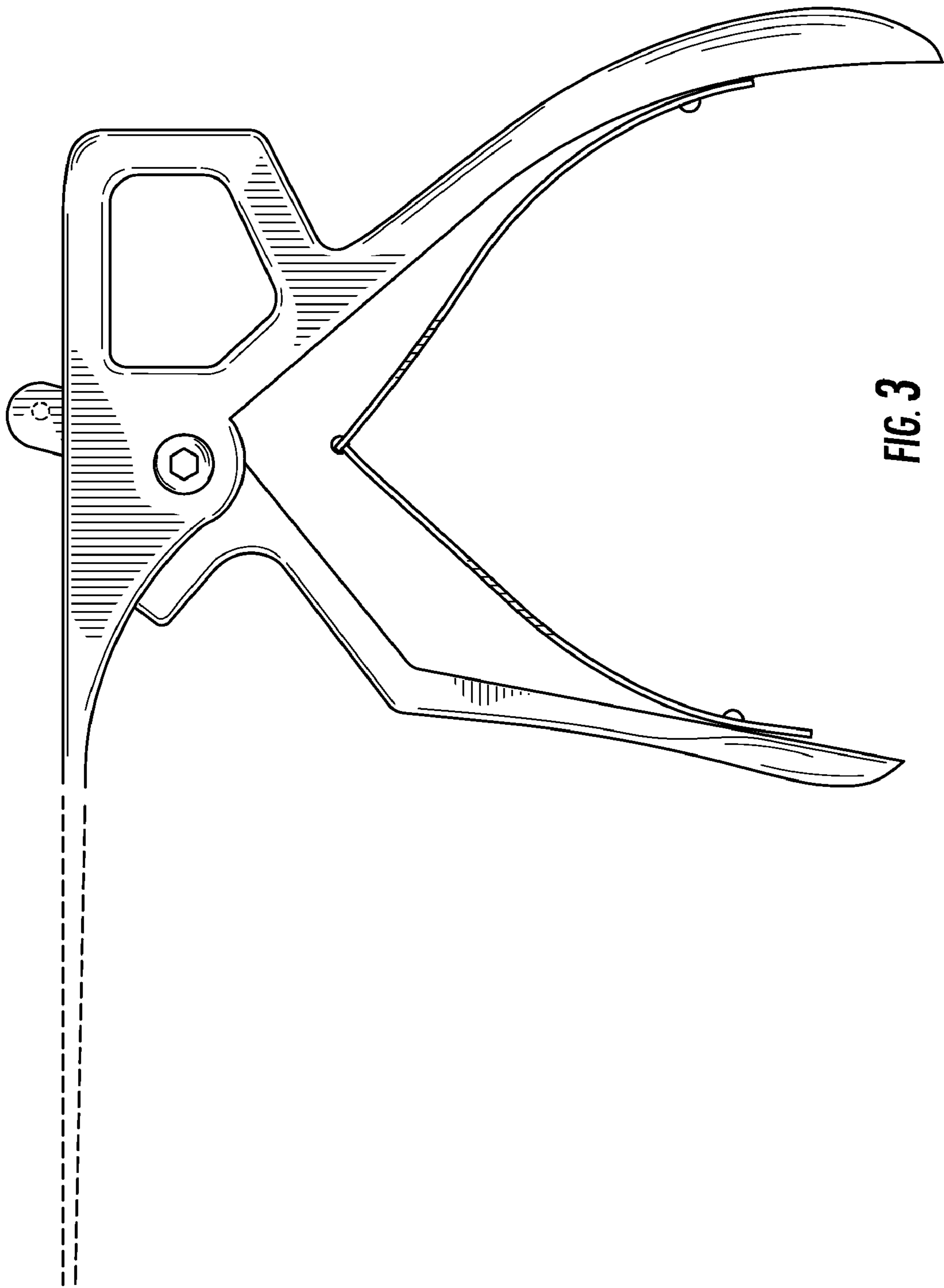


FIG. 3

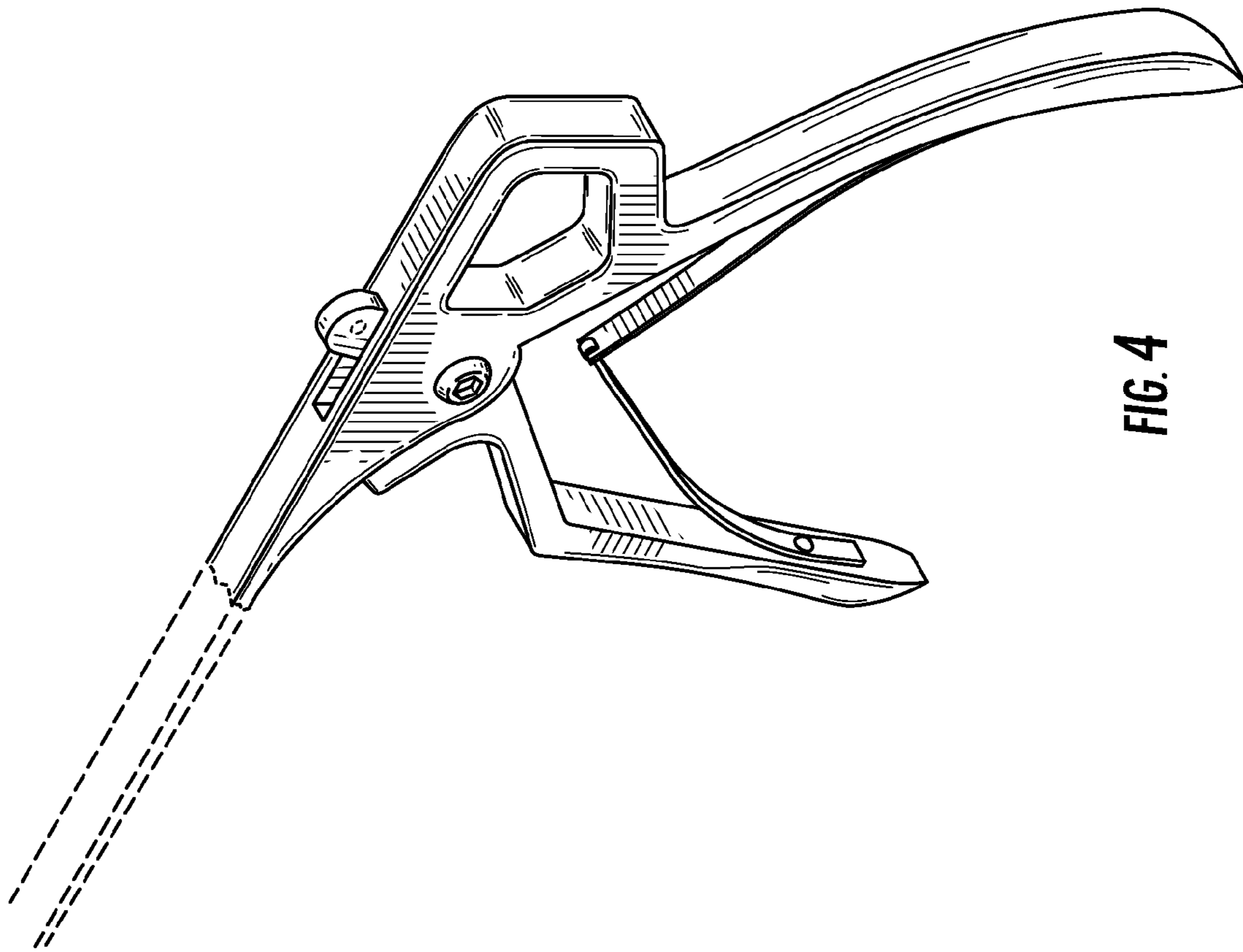


FIG. 4