



US00D549322S

(12) **United States Design Patent**
Stallard et al.

(10) **Patent No.: US D549,322 S**

(45) **Date of Patent: ** Aug. 21, 2007**

(54) **MASK FRAME**

(75) Inventors: **Philip Thomas Stallard**, Denistone East (AU); **Scott Alexander Howard**, Frenchs Forest (AU)

(73) Assignee: **ResMed Limited**, Bella Vista (AU)

(**) Term: **14 Years**

(21) Appl. No.: **29/240,923**

(22) Filed: **Sep. 26, 2005**

(51) **LOC (8) Cl.** **29-02**

(52) **U.S. Cl.** **D24/110.1**

(58) **Field of Classification Search** D24/110.1, D24/110.4, 110.5; 128/207.13, 207.12, 207.11, 128/207.17, 207.18, 206.26, 206.21, 205.25
See application file for complete search history.

(56) **References Cited**

U.S. PATENT DOCUMENTS

D428,139 S * 7/2000 Smart D24/110.4

(Continued)

Primary Examiner—Ian Simmons

Assistant Examiner—Christopher Lee

(74) *Attorney, Agent, or Firm*—Nixon & Vanderhye P.C.

(57) **CLAIM**

The ornamental design for a mask frame, as shown and described.

DESCRIPTION

FIG. 1 is a front perspective view of a mask frame according to a first embodiment of our design;

FIG. 2 is a rear perspective of the mask frame shown in FIG. 1;

FIG. 3 is a front view of the mask frame shown in FIG. 1;

FIG. 4 is a rear view of the mask frame shown in FIG. 1;

FIG. 5 is a right side view of the mask frame shown in FIG. 1, with the left side view being a mirror image thereof;

FIG. 6 is a top view of the mask frame shown in FIG. 1;

FIG. 7 is a bottom view of the mask frame shown in FIG. 1;

FIG. 8 is a front perspective view of a mask frame according to a second embodiment of our design;

FIG. 9 is a rear perspective of the mask frame shown in FIG. 8;

FIG. 10 is a front view of the mask frame shown in FIG. 8;

FIG. 11 is a rear view of the mask frame shown in FIG. 8;

FIG. 12 is a right side view of the mask frame shown in FIG. 8, with the left side view being a mirror image thereof;

FIG. 13 is a top view of the mask frame shown in FIG. 8;

FIG. 14 is a bottom view of the mask frame shown in FIG. 8;

FIG. 15 is a front perspective view of a mask frame according to a third embodiment of our design;

FIG. 16 is a rear perspective of the mask frame shown in FIG. 15;

FIG. 17 is a front view of the mask frame shown in FIG. 15;

FIG. 18 is a rear view of the mask frame shown in FIG. 15;

FIG. 19 is a right side view of the mask frame shown in FIG. 15, with the left side view being a mirror image thereof;

FIG. 20 is a top view of the mask frame shown in FIG. 15;

FIG. 21 is a bottom view of the mask frame shown in FIG. 15;

FIG. 22 is a front perspective view of a mask frame according to a fourth embodiment of our design;

FIG. 23 is a rear perspective of the mask frame shown in FIG. 22;

FIG. 24 is a front view of the mask frame shown in FIG. 22;

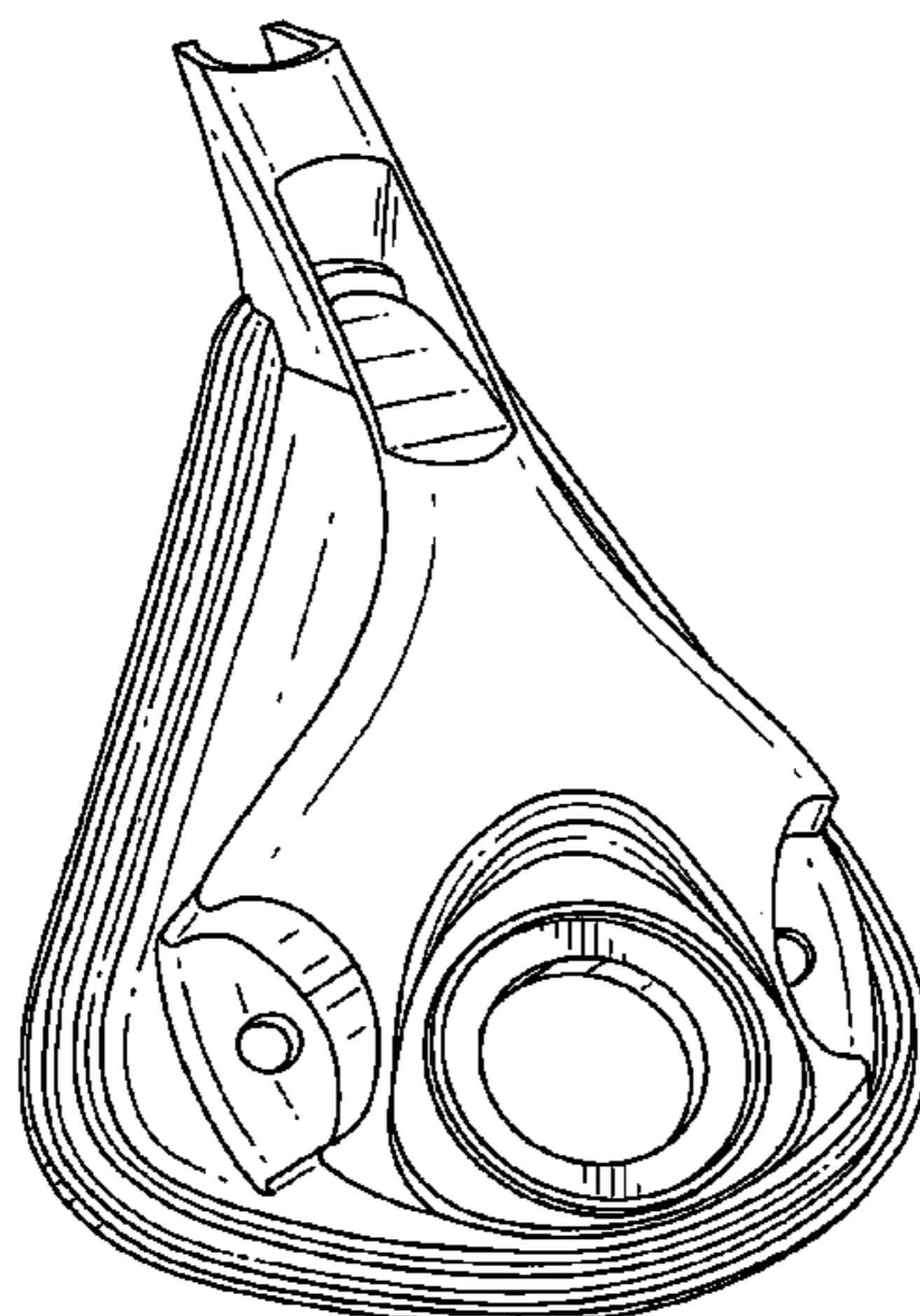
FIG. 25 is a rear view of the mask frame shown in FIG. 22;

FIG. 26 is a right side view of the mask frame shown in FIG. 22, with the left side view being a mirror image thereof;

FIG. 27 is a top view of the mask frame shown in FIG. 22; and,

FIG. 28 is a bottom view of the mask frame shown in FIG. 22.

1 Claim, 24 Drawing Sheets



US D549,322 S

Page 2

U.S. PATENT DOCUMENTS							
				D486,907 S *	2/2004	Guney et al.	D24/110.1
				D493,885 S	8/2004	Raje et al.	
6,374,826 B1 *	4/2002	Gunaratnam et al. ..	128/206.27	D534,274 S *	12/2006	Smart	D24/110.1
D459,800 S	7/2002	Smart		2005/0172969 A1	8/2005	Ging et al.	
D464,728 S	10/2002	Paul et al.					
D468,421 S *	1/2003	Smart	D24/110.1				* cited by examiner

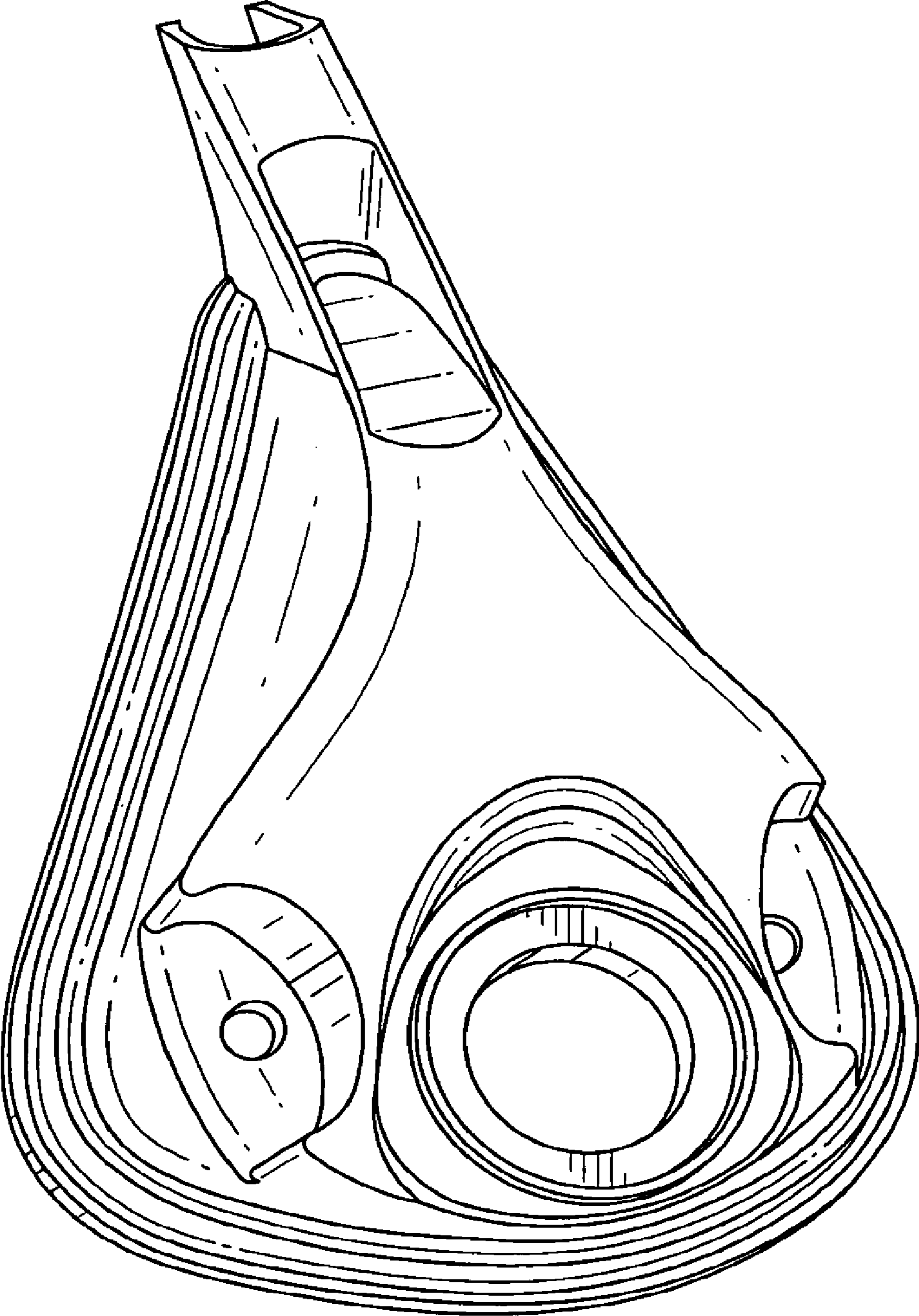


Fig. 1

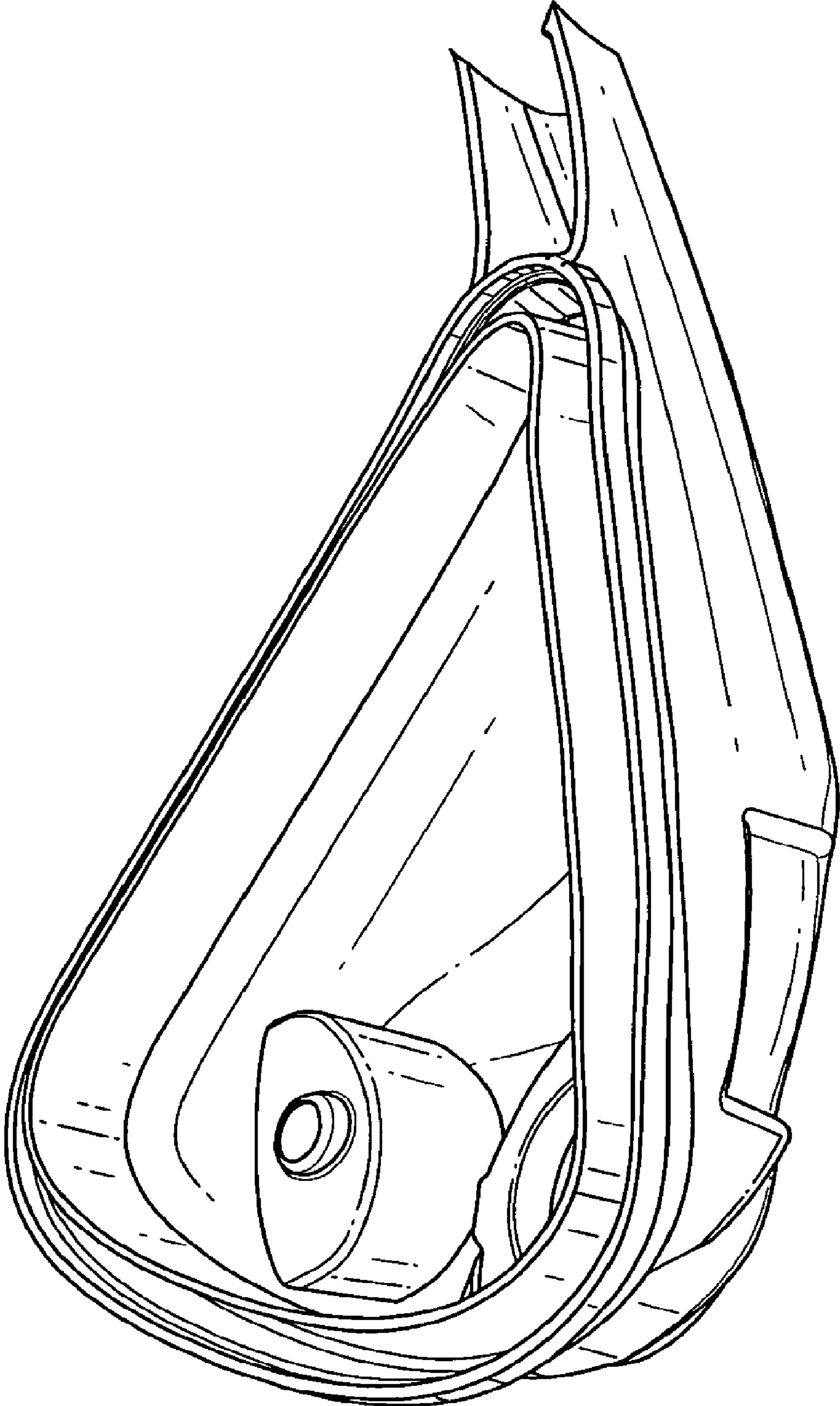


Fig. 2

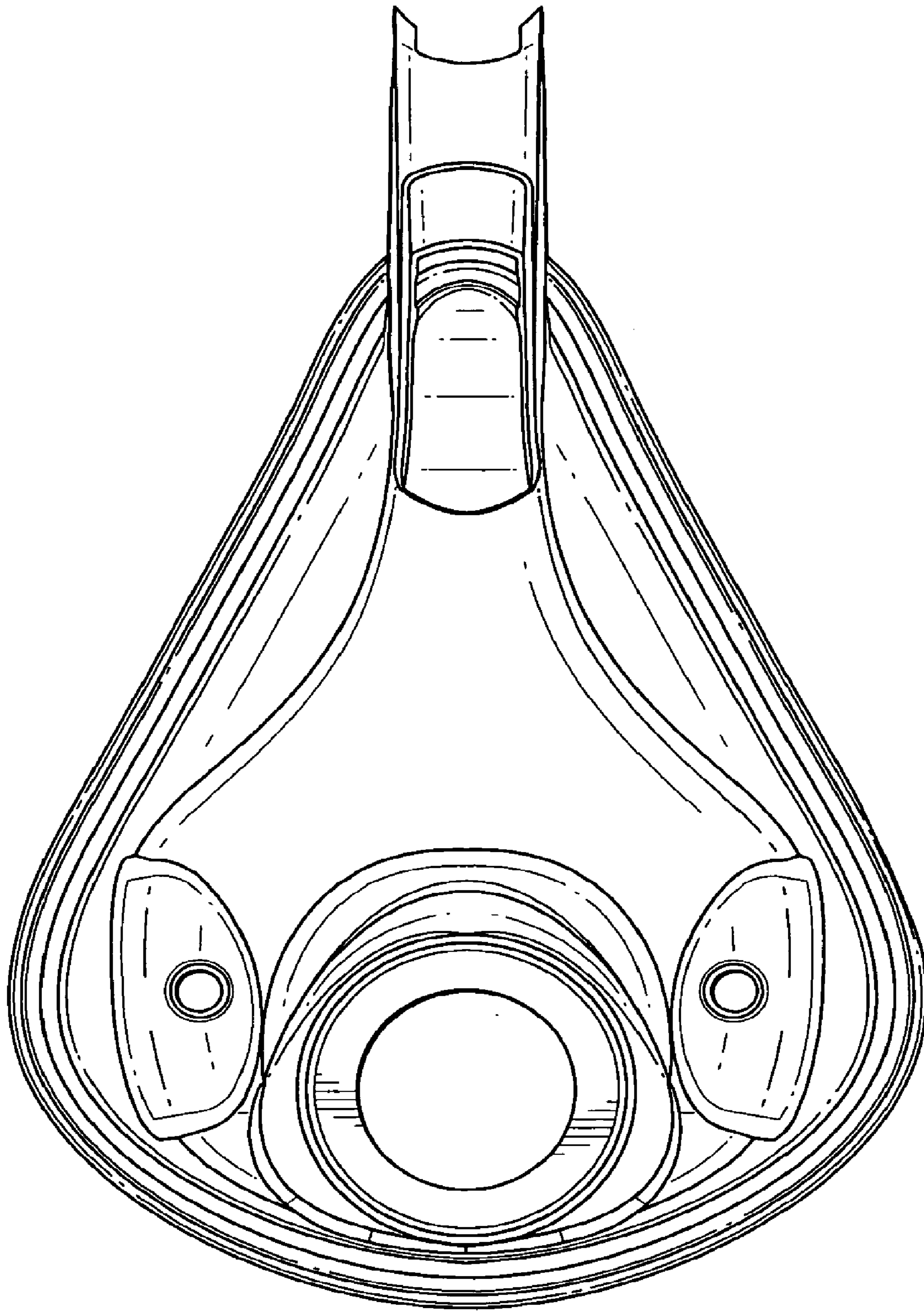


Fig. 3

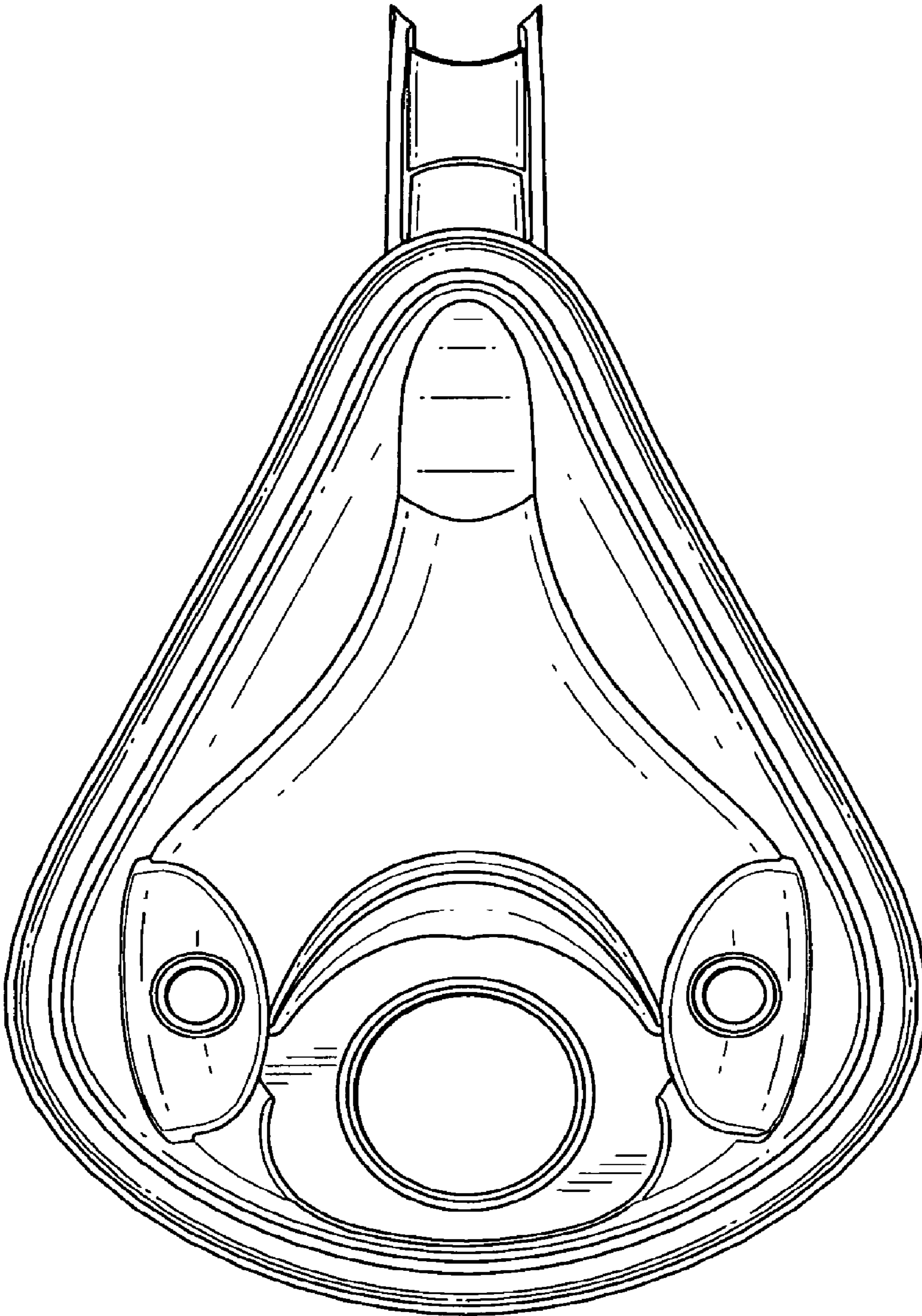


Fig. 4

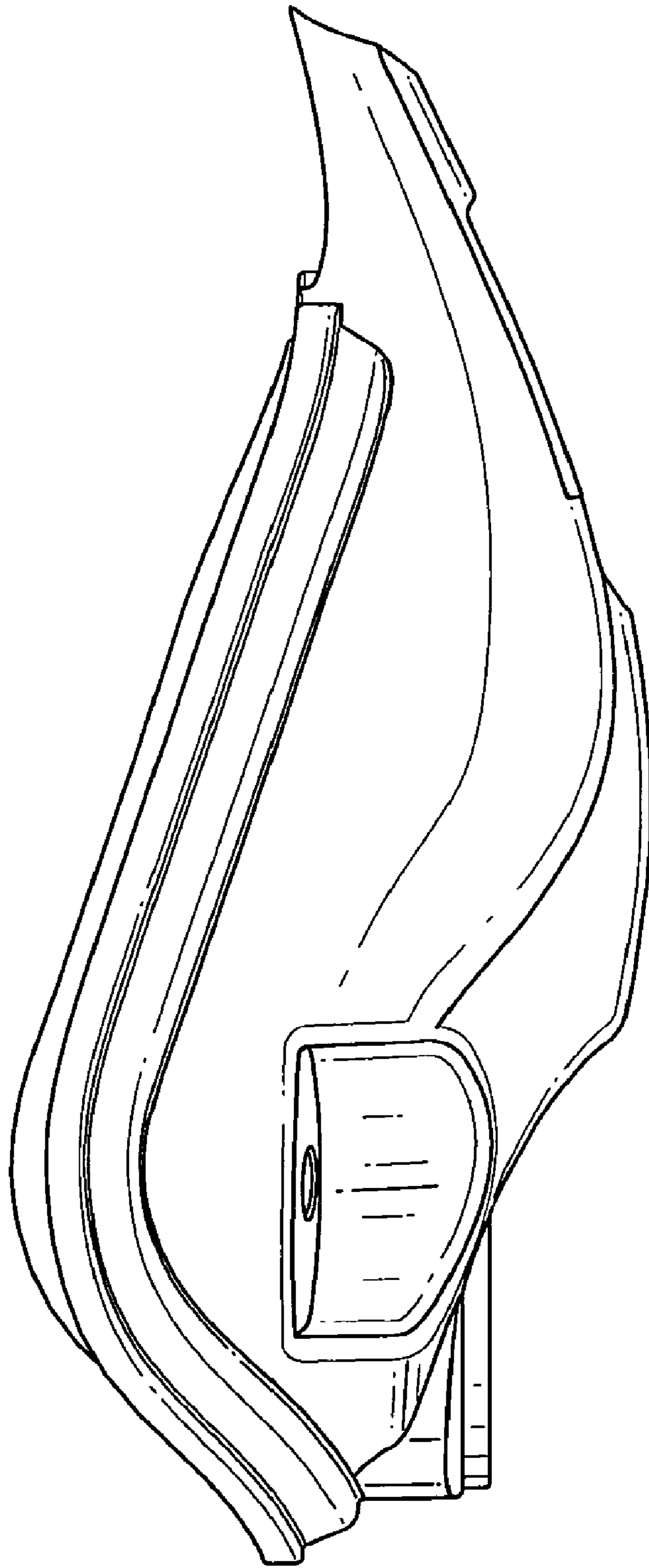


Fig. 5

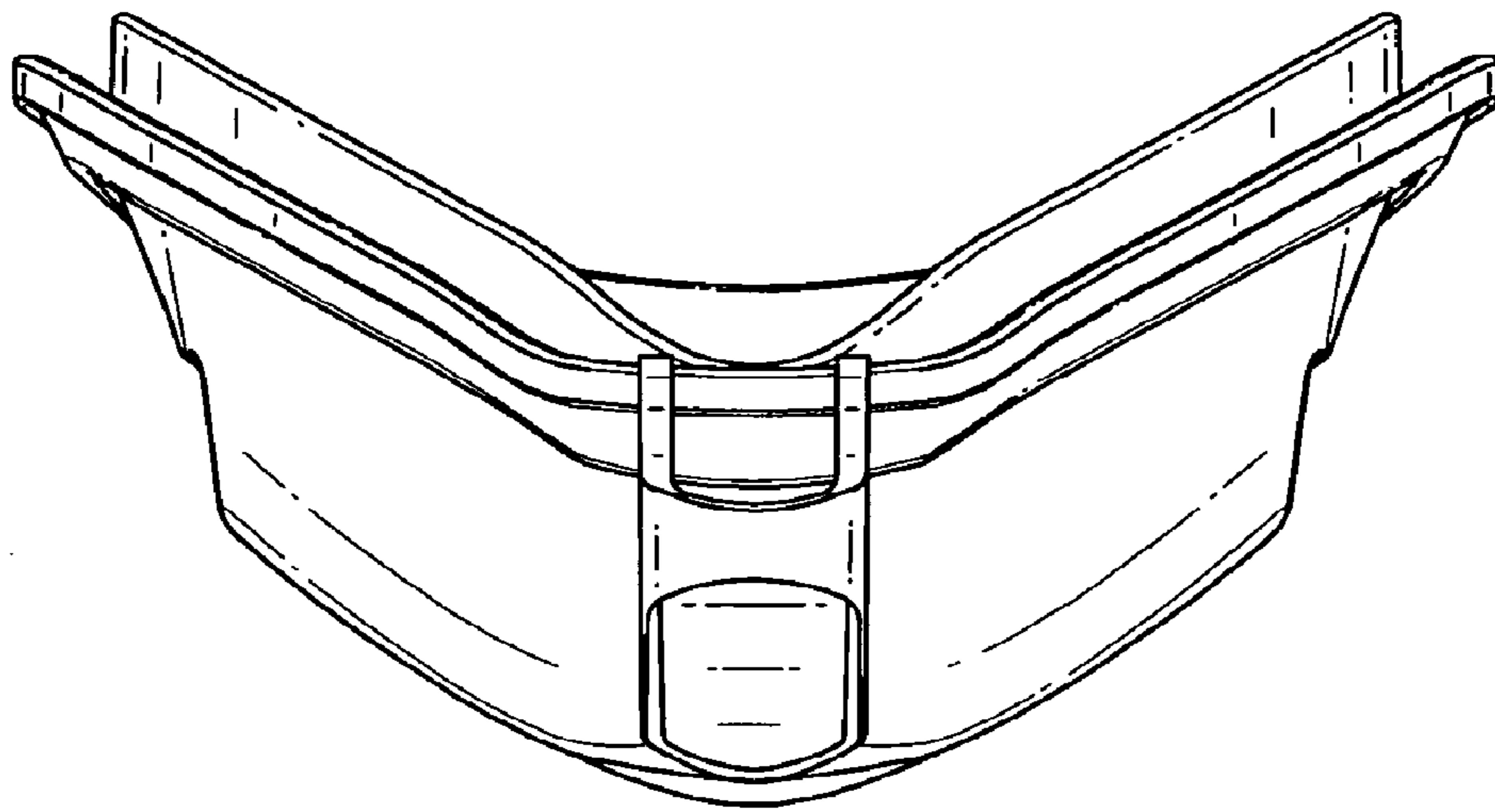


Fig. 6

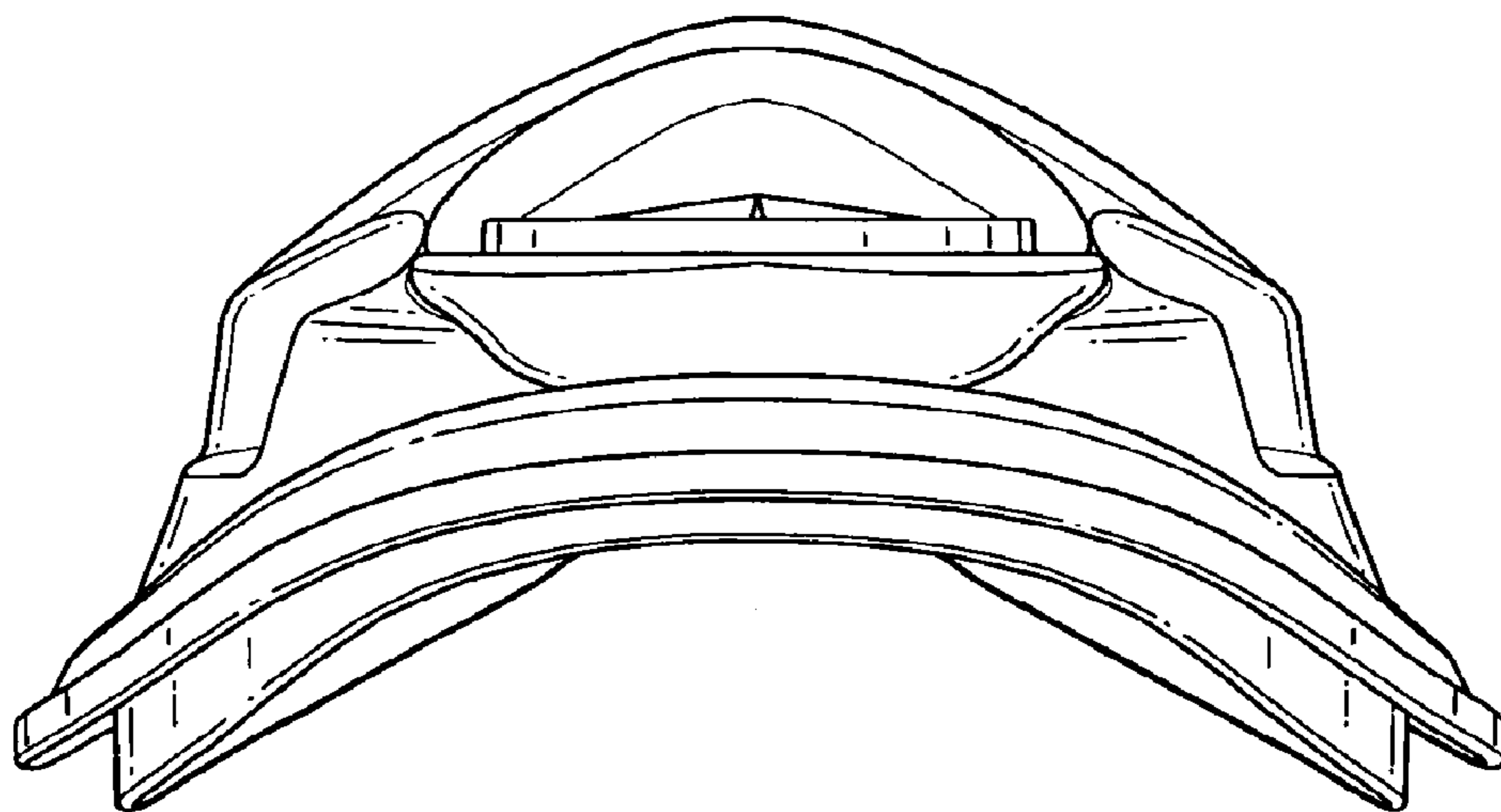


Fig. 7

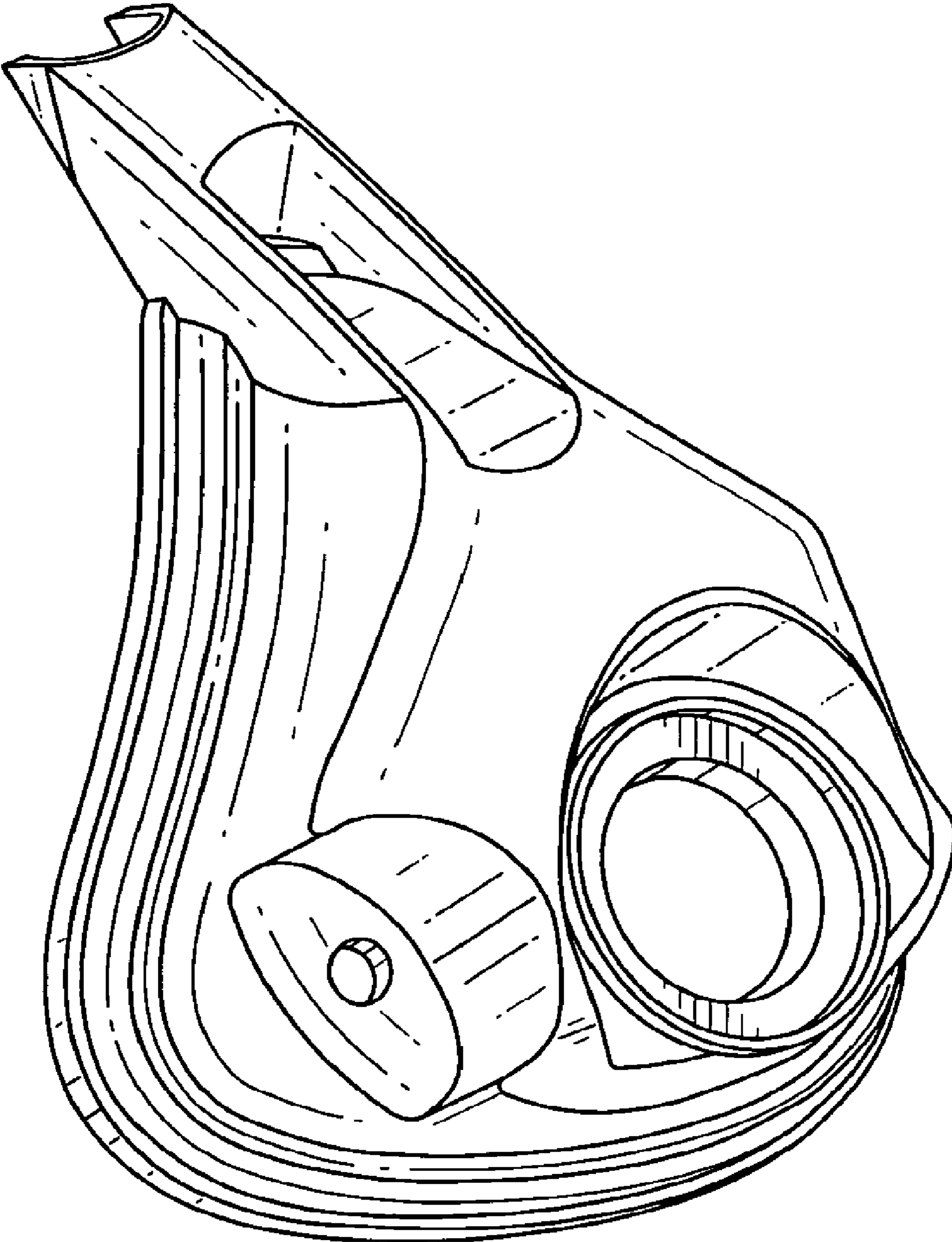


Fig. 8

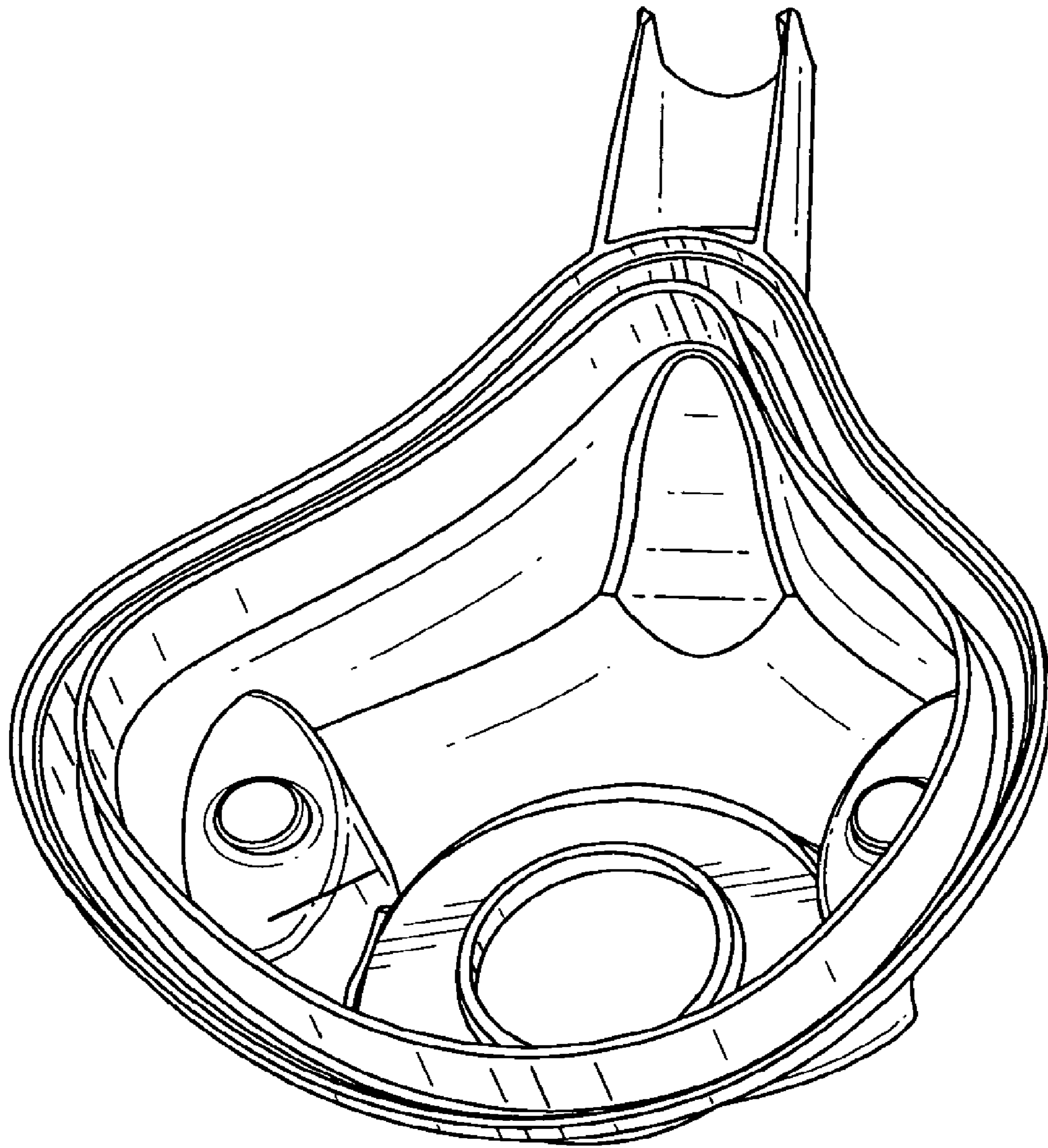


Fig. 9

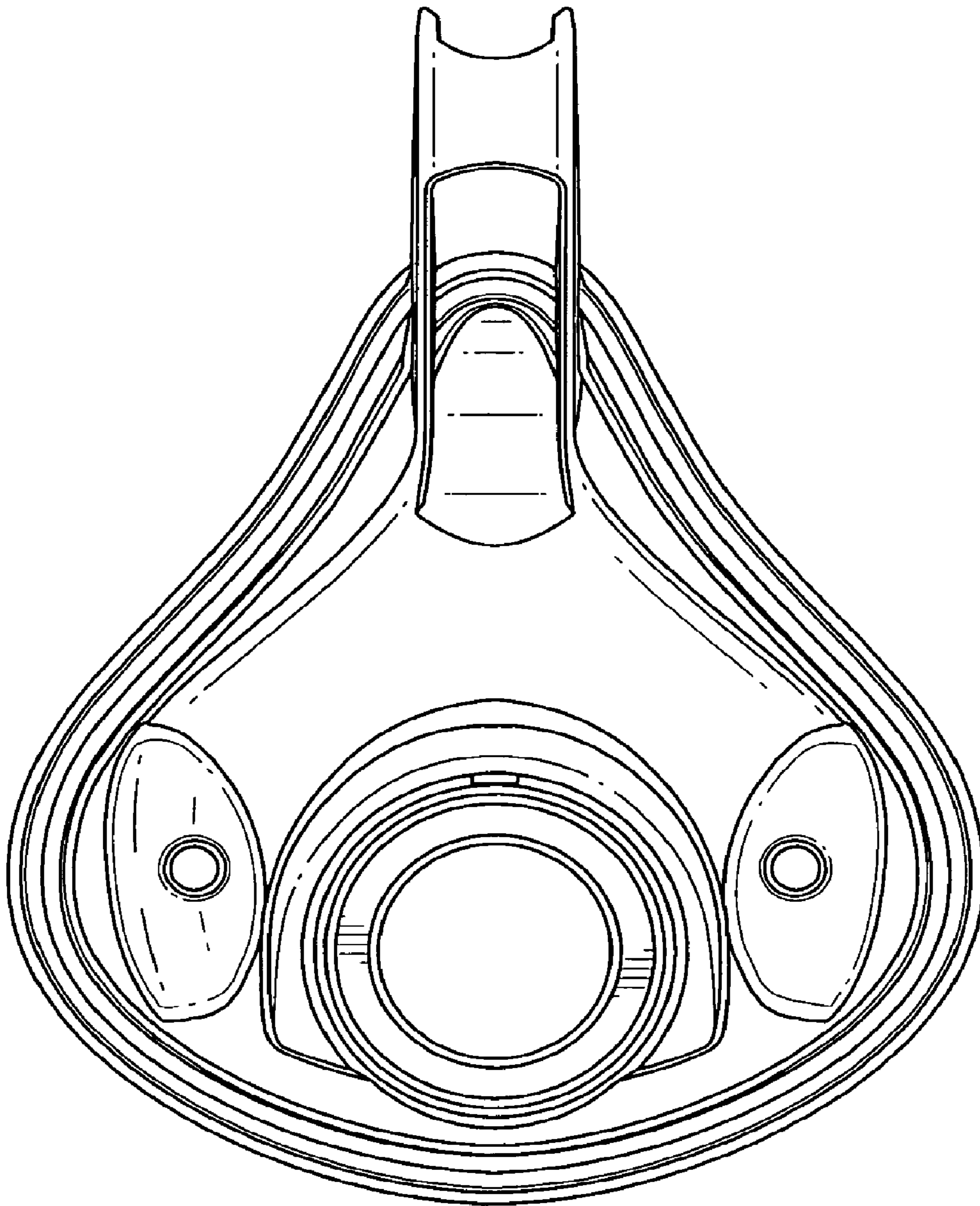


Fig. 10

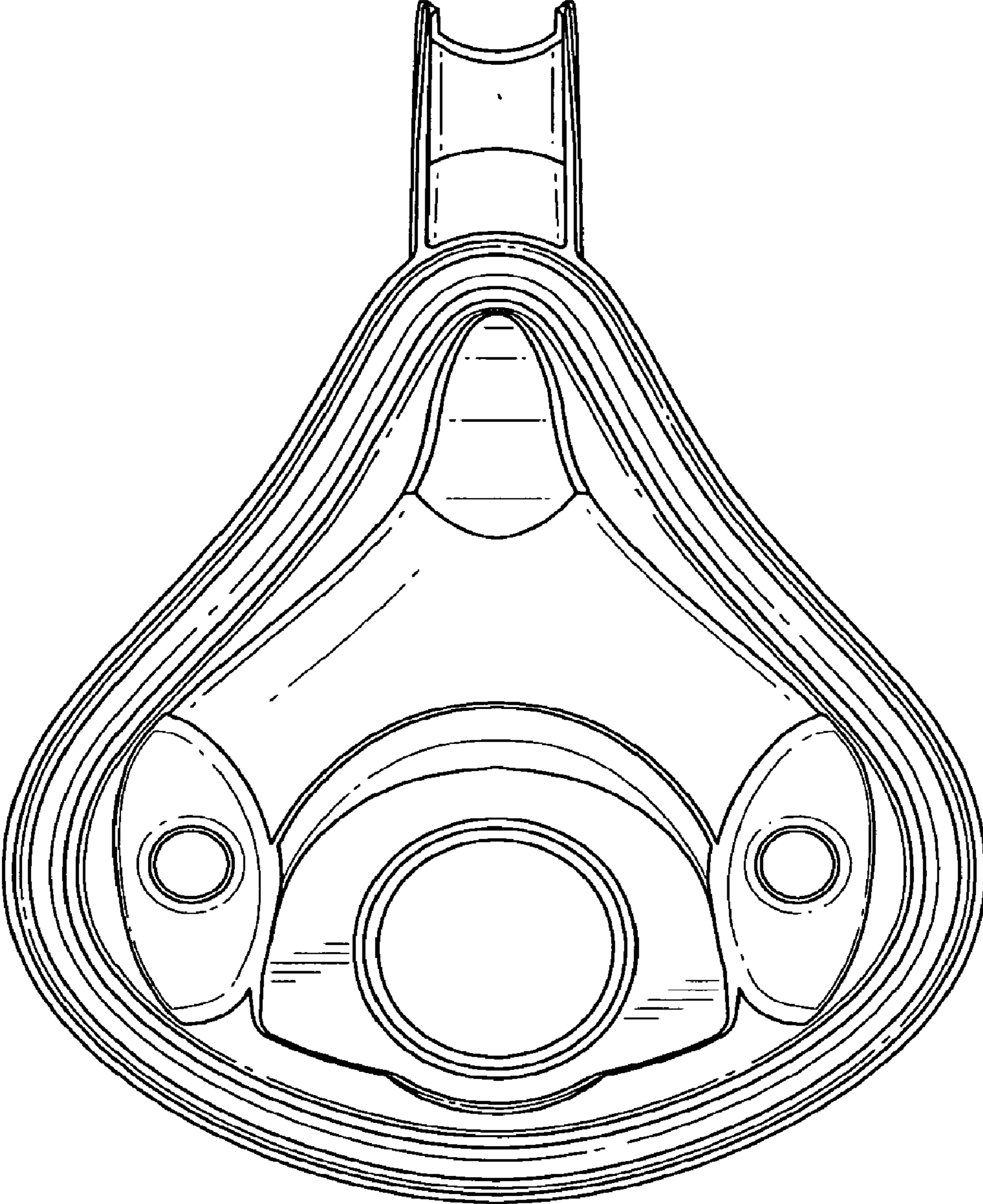


Fig. 11

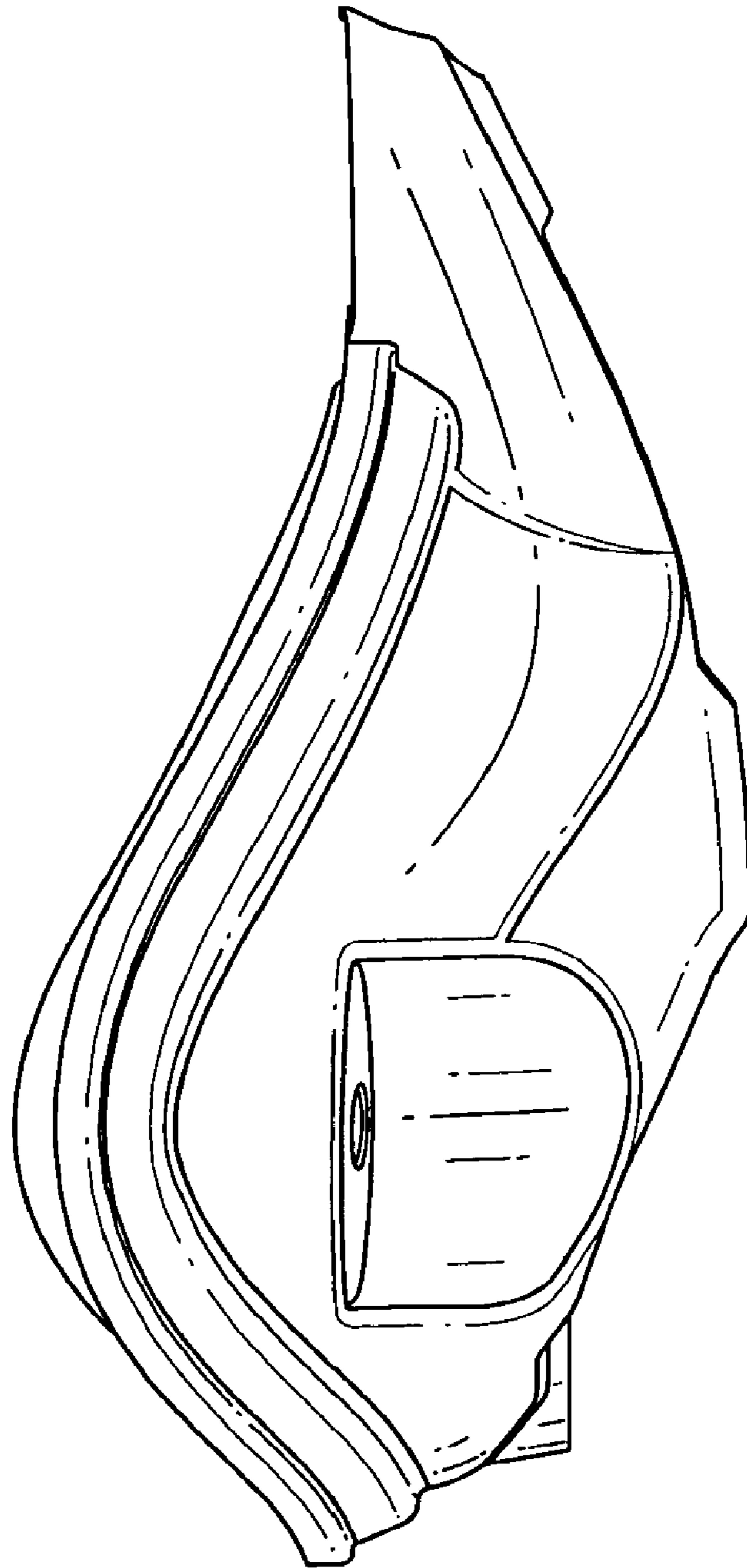


Fig. 12

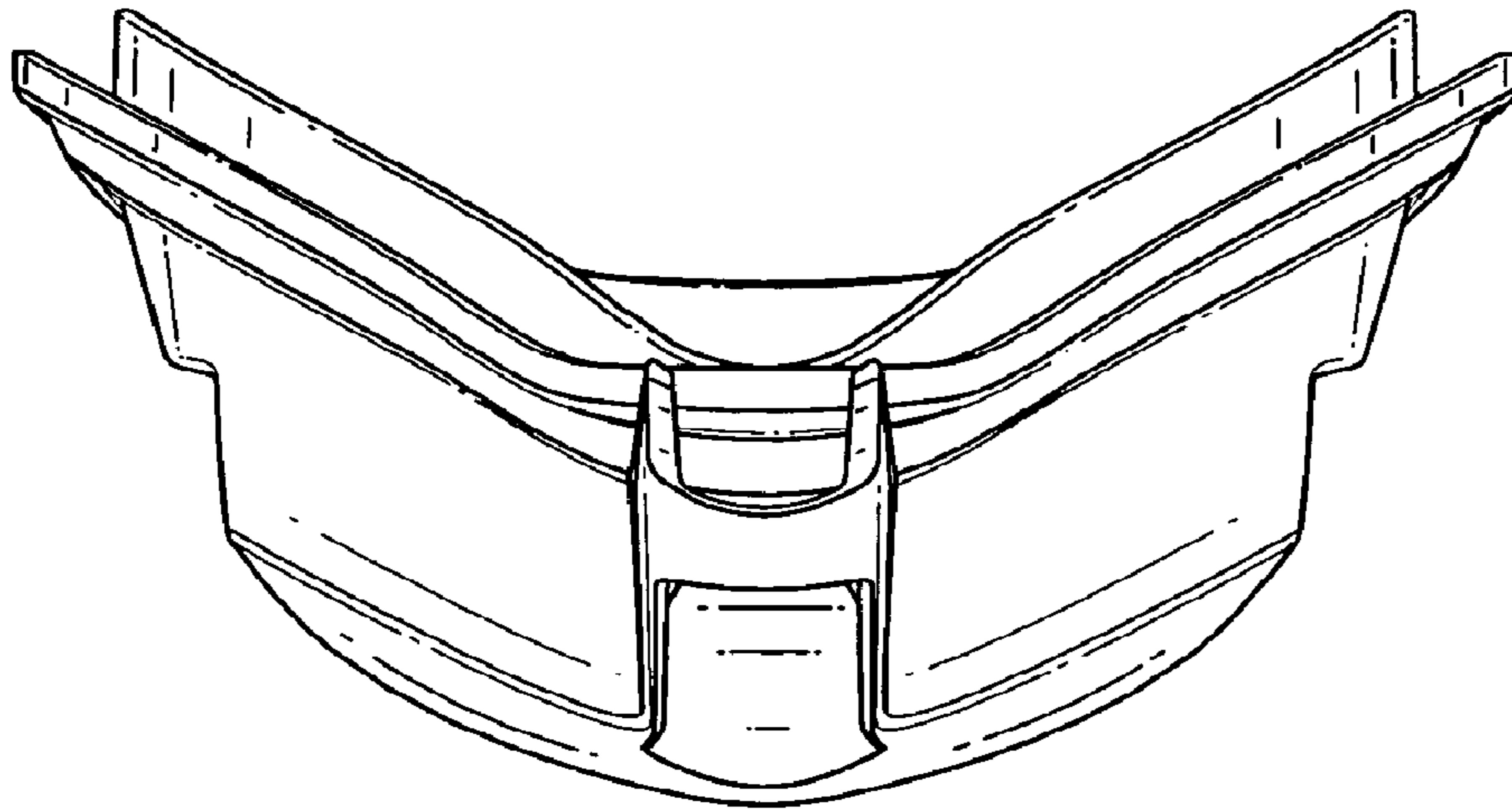


Fig. 13

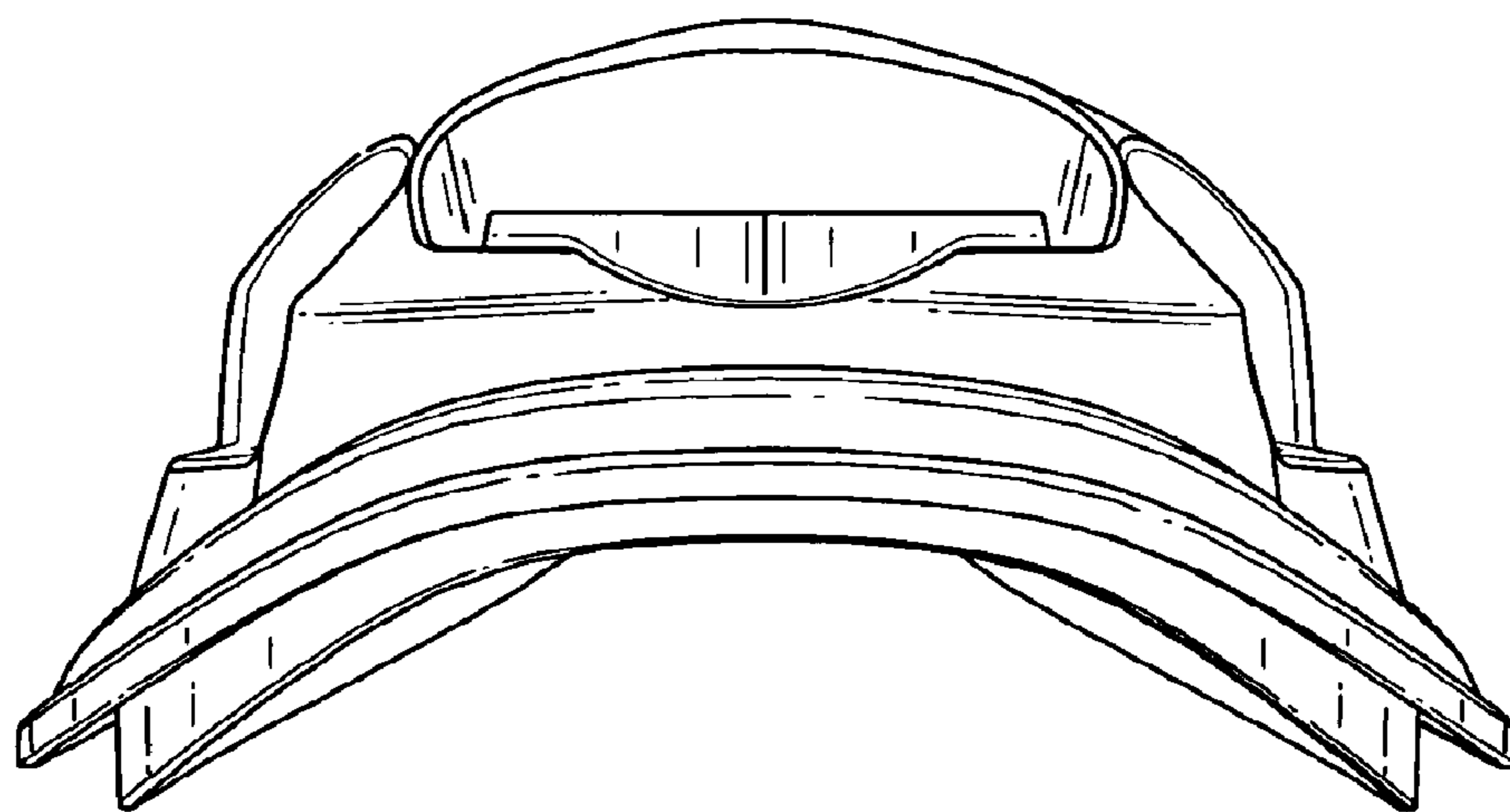


Fig. 14

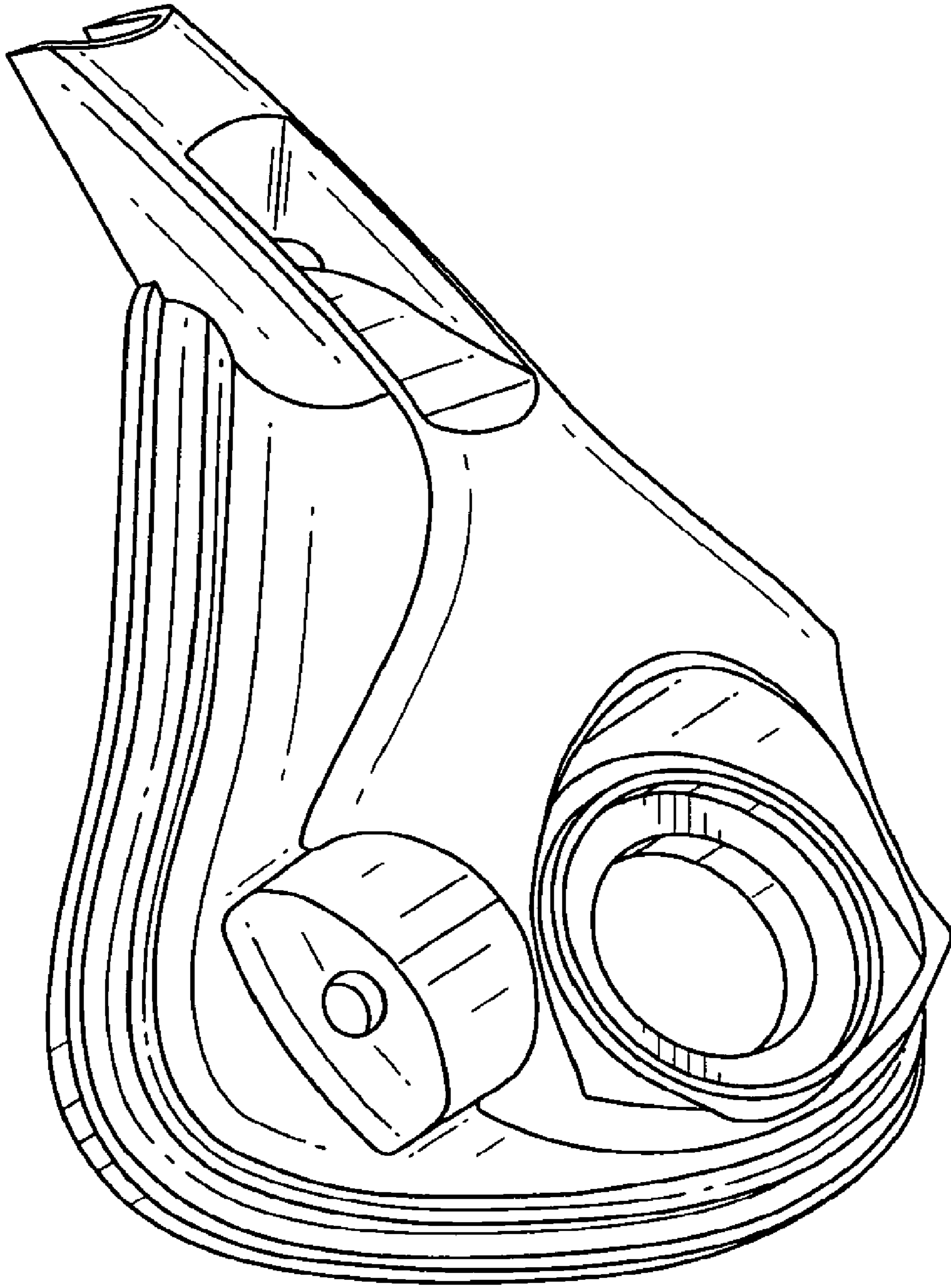


Fig. 15

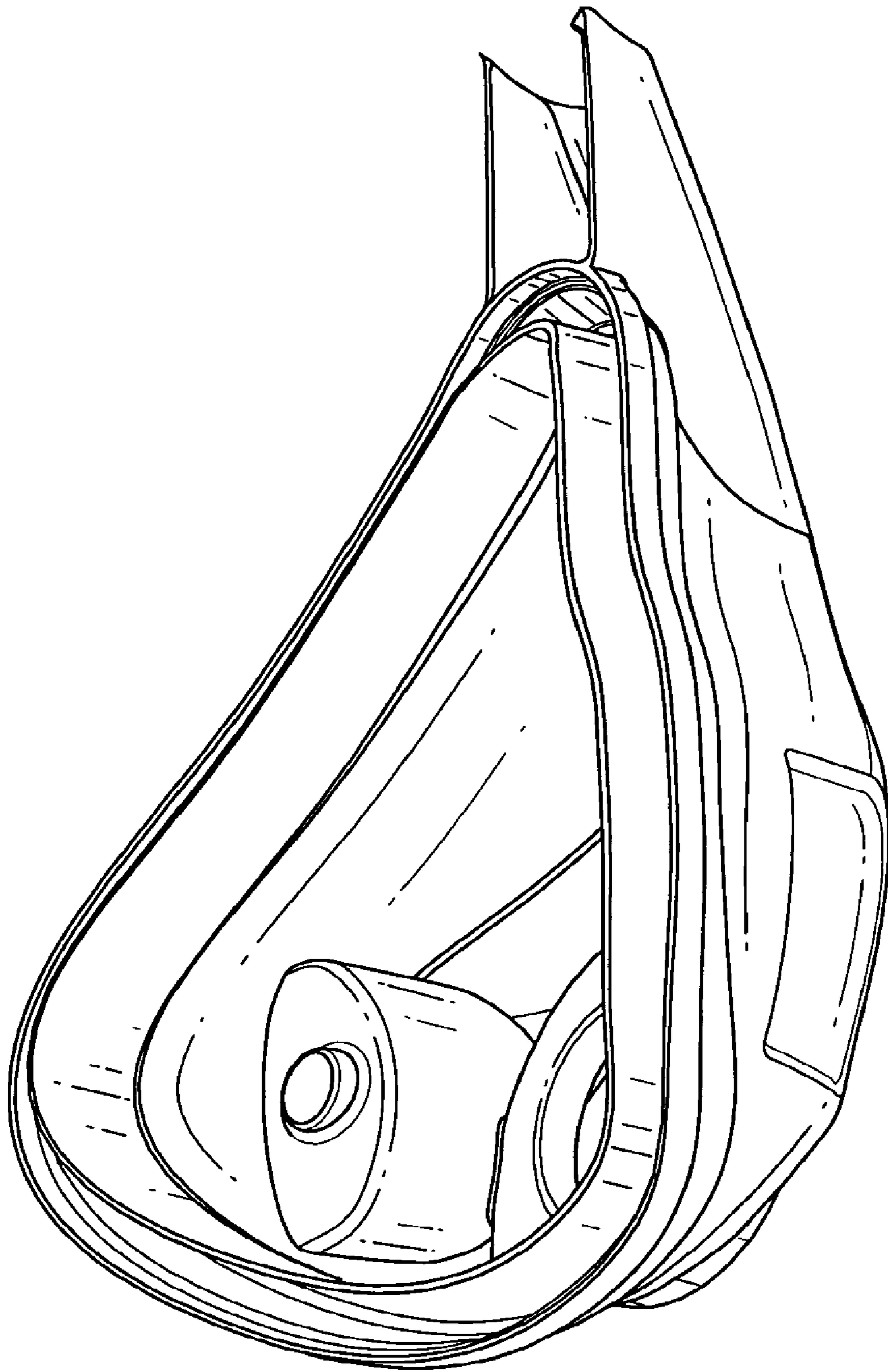


Fig. 16

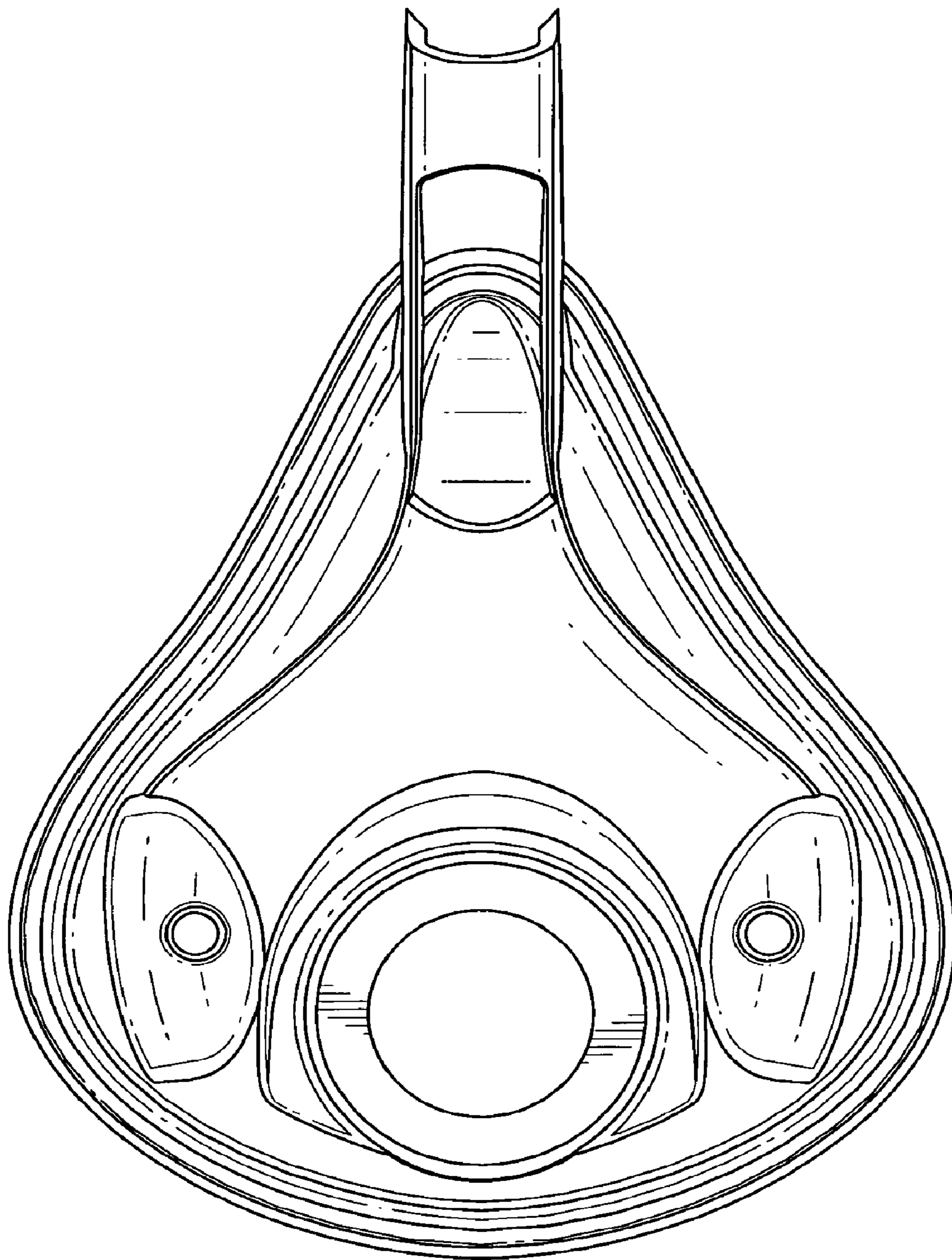


Fig. 17

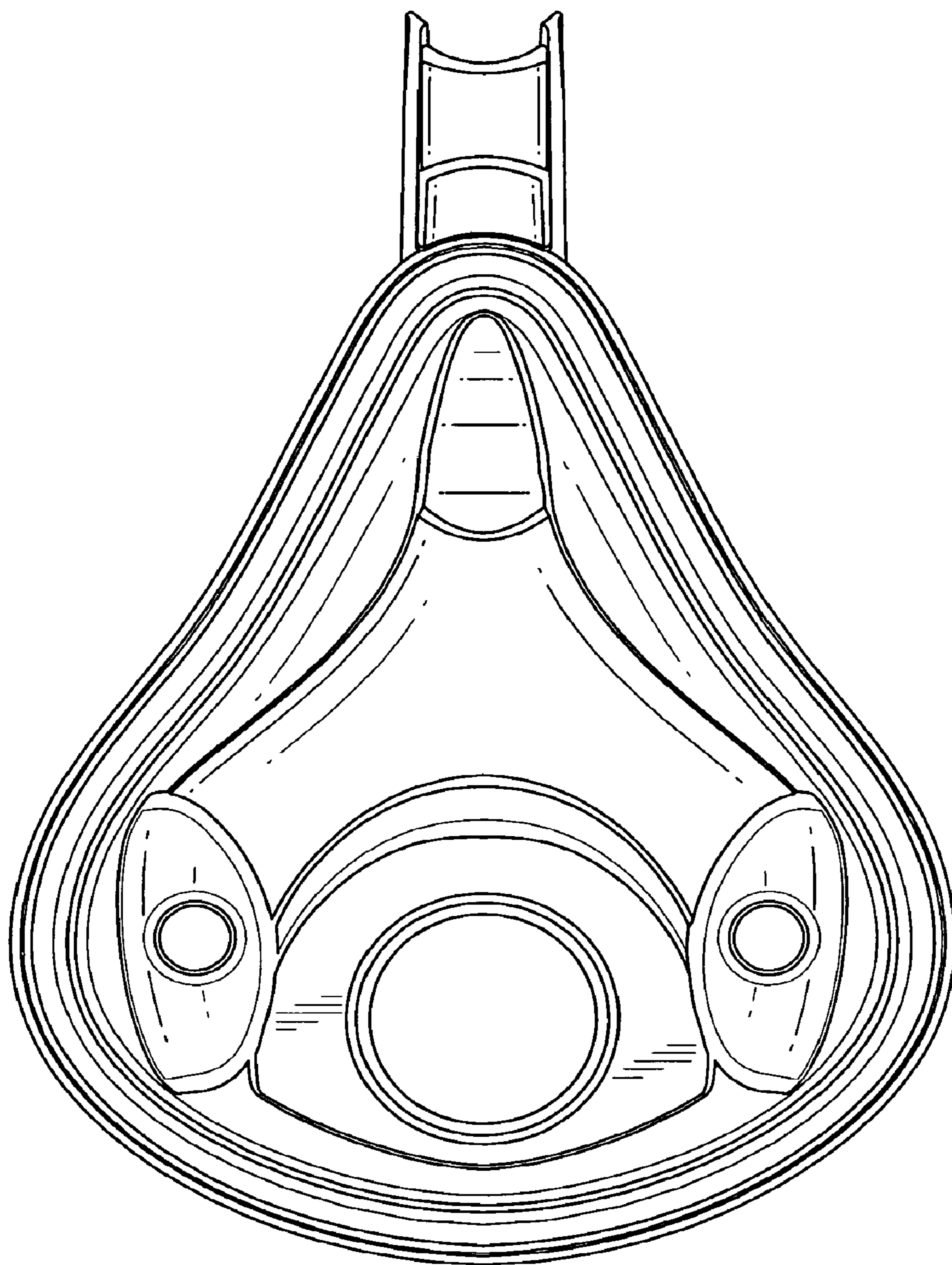


Fig. 18

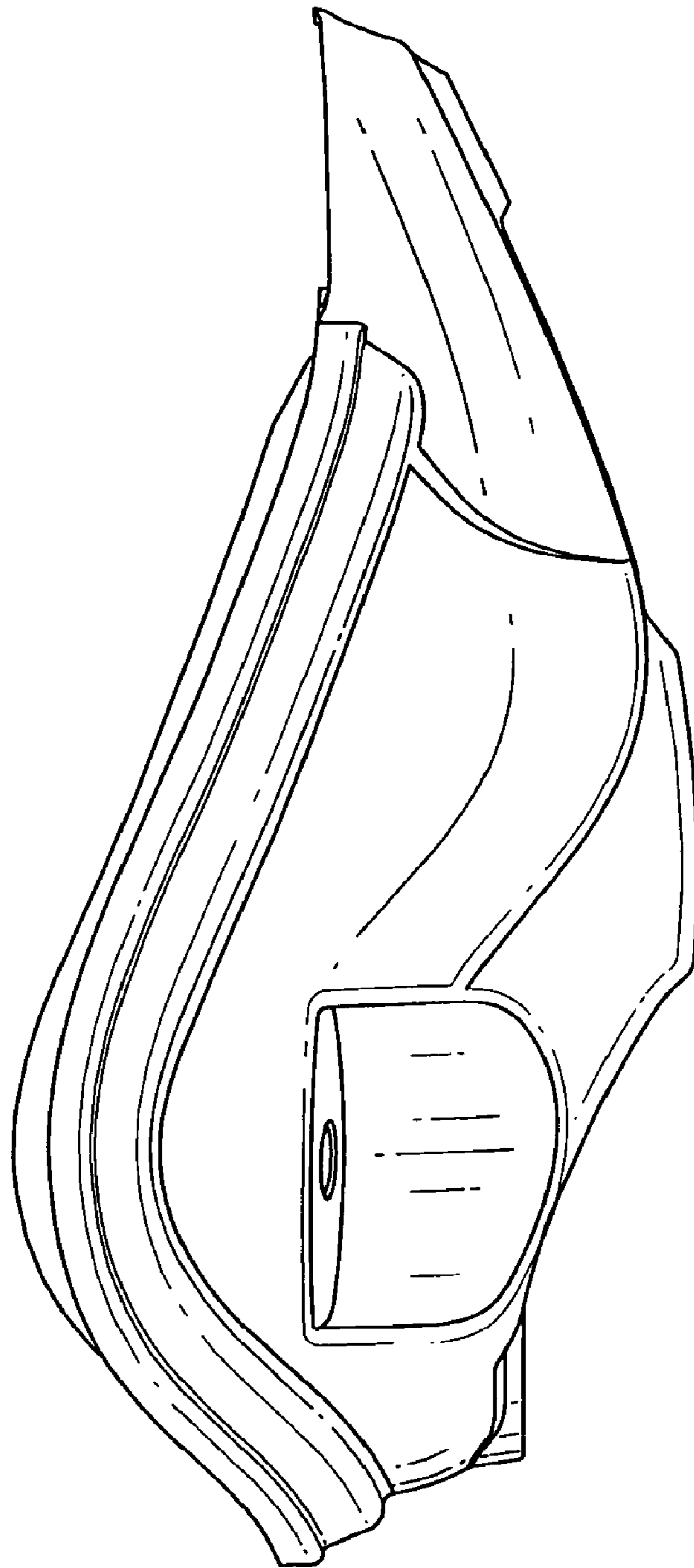


Fig. 19

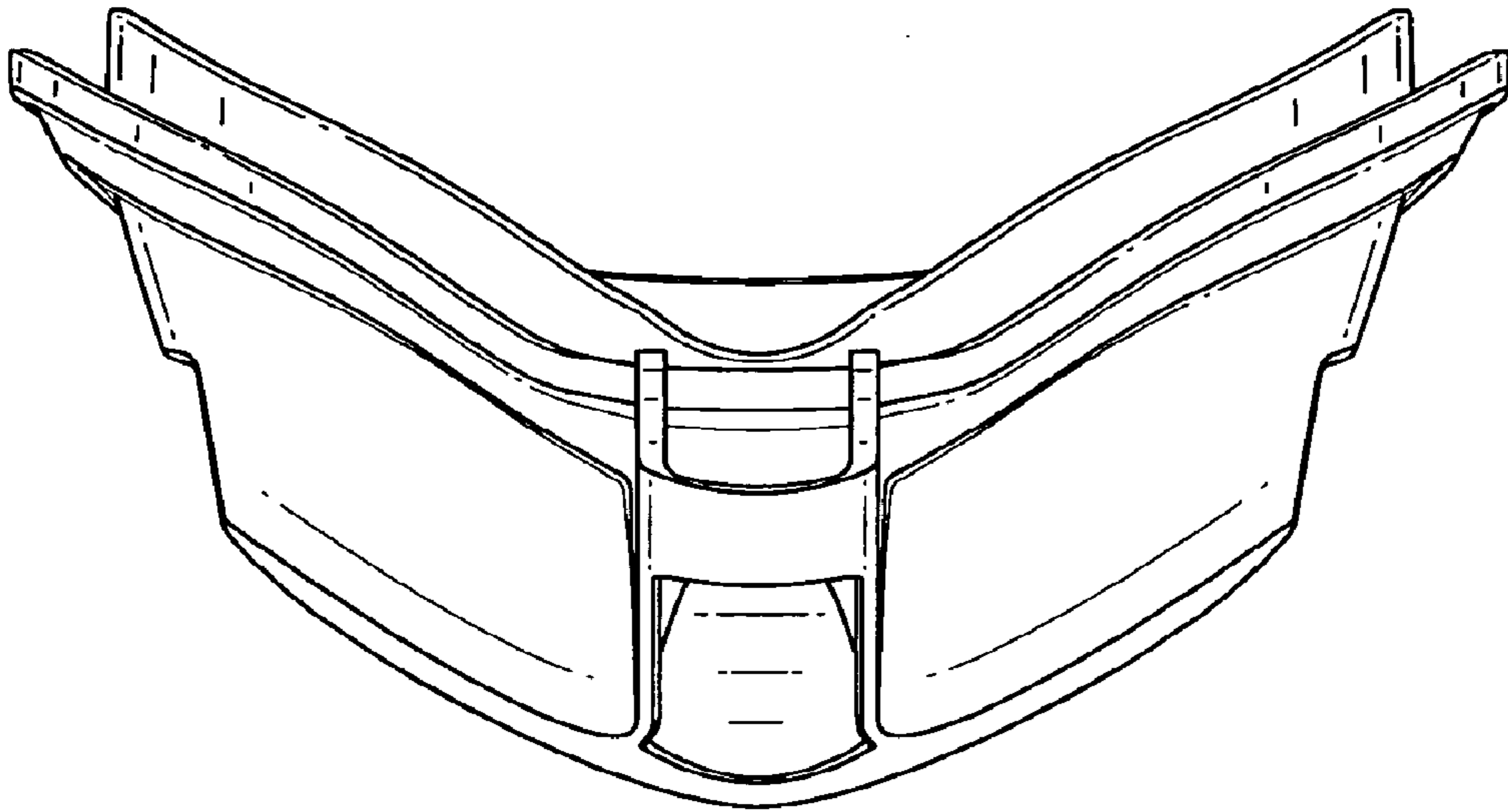


Fig. 20

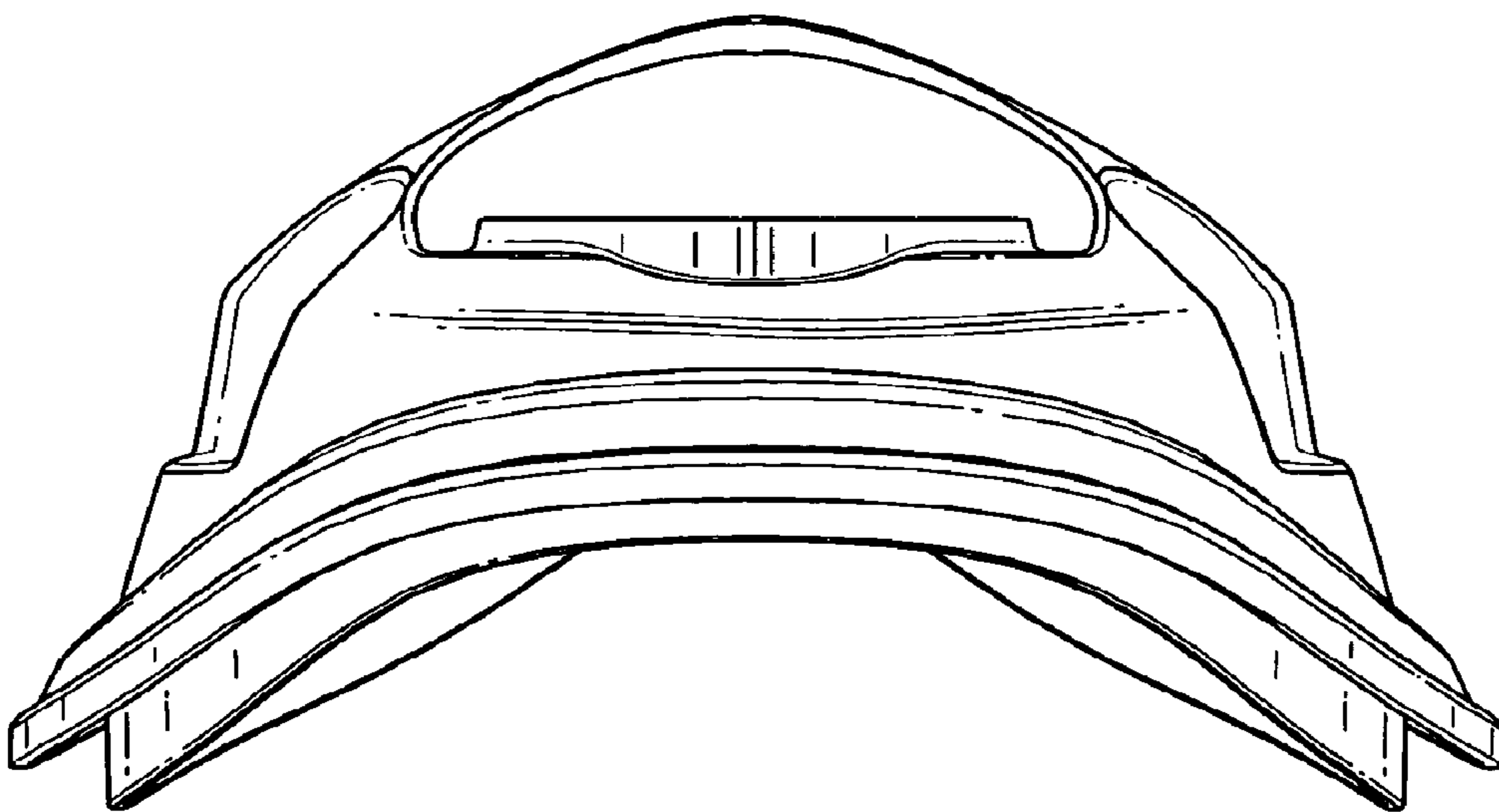


Fig. 21

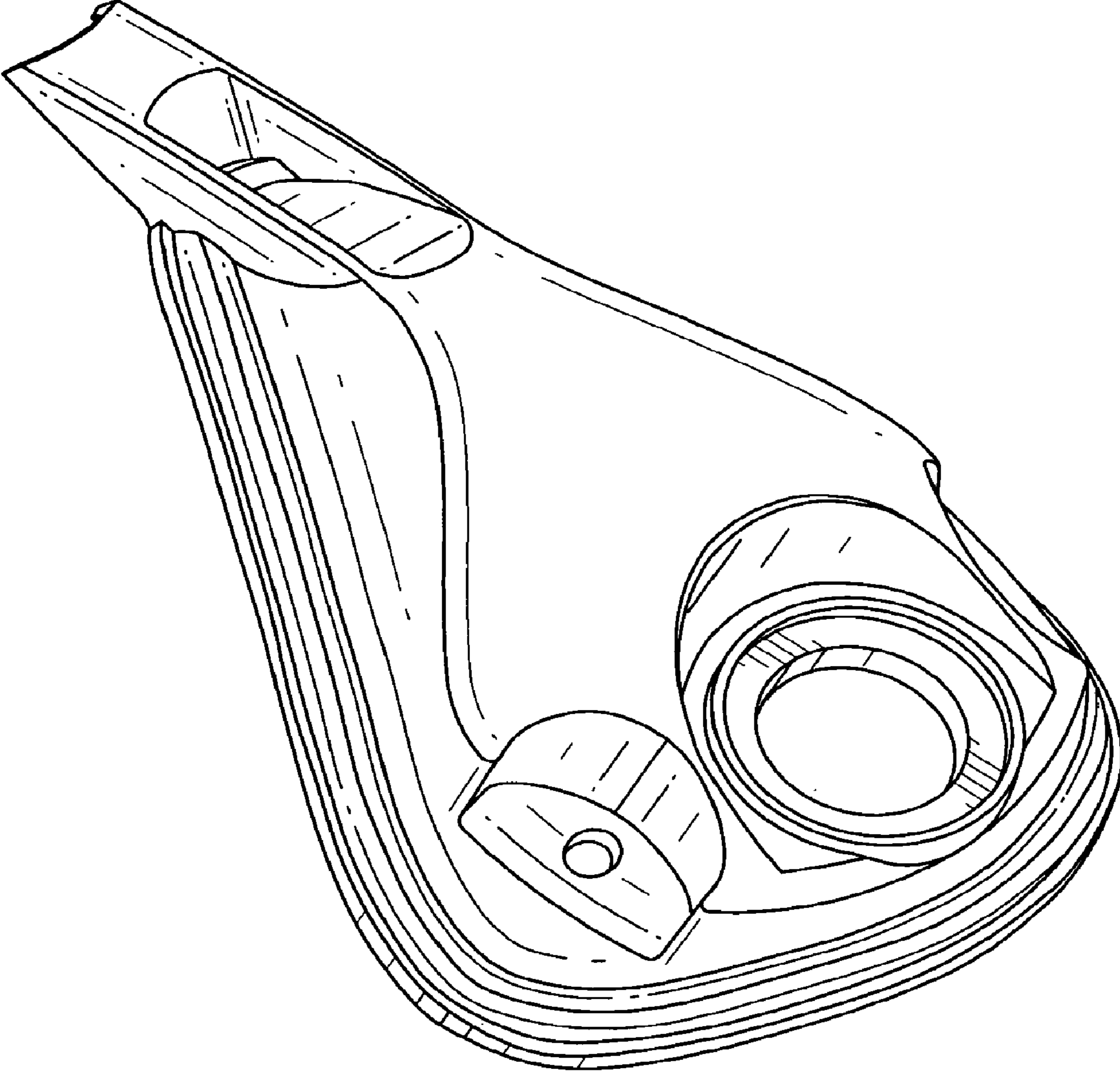


Fig. 22

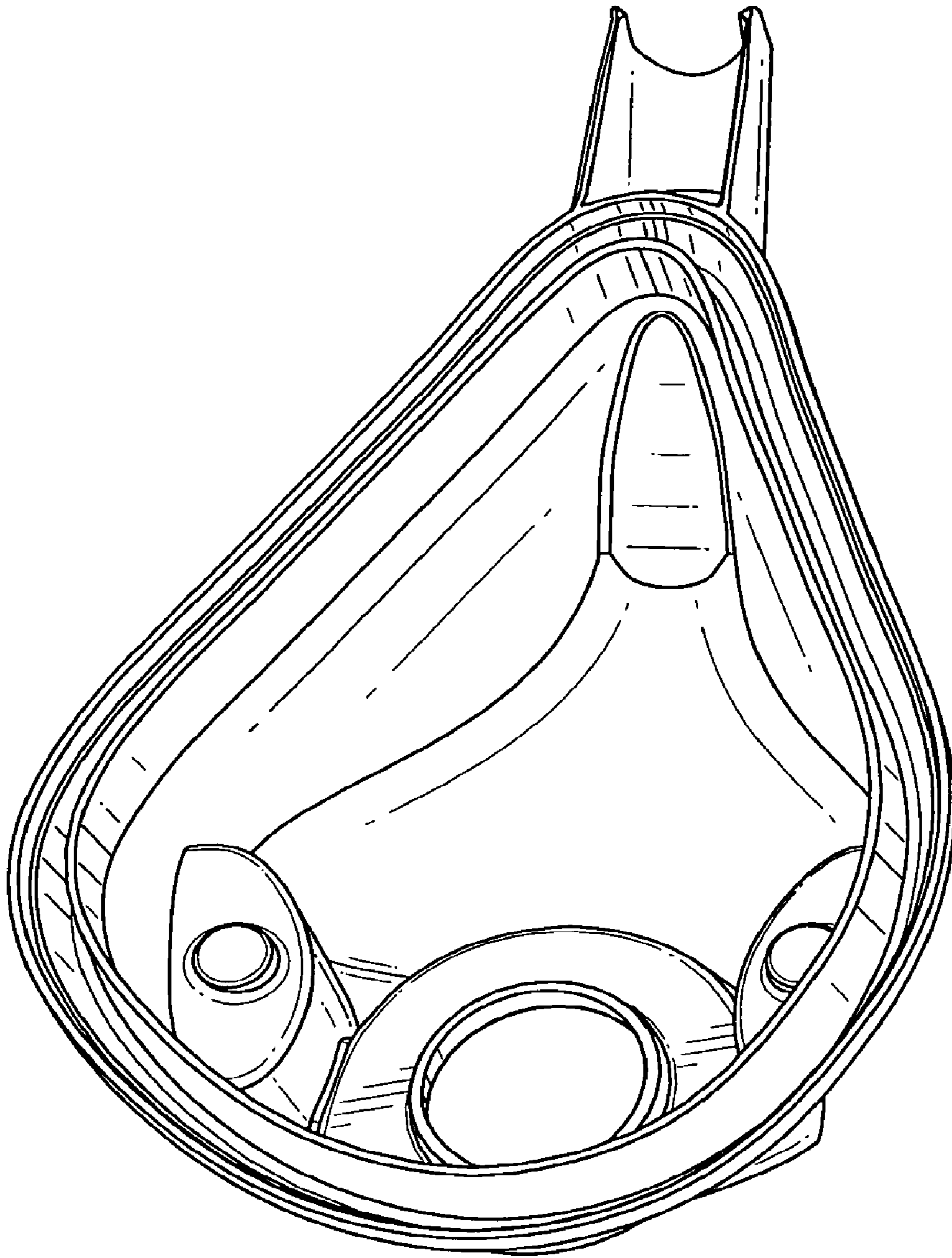


Fig. 23

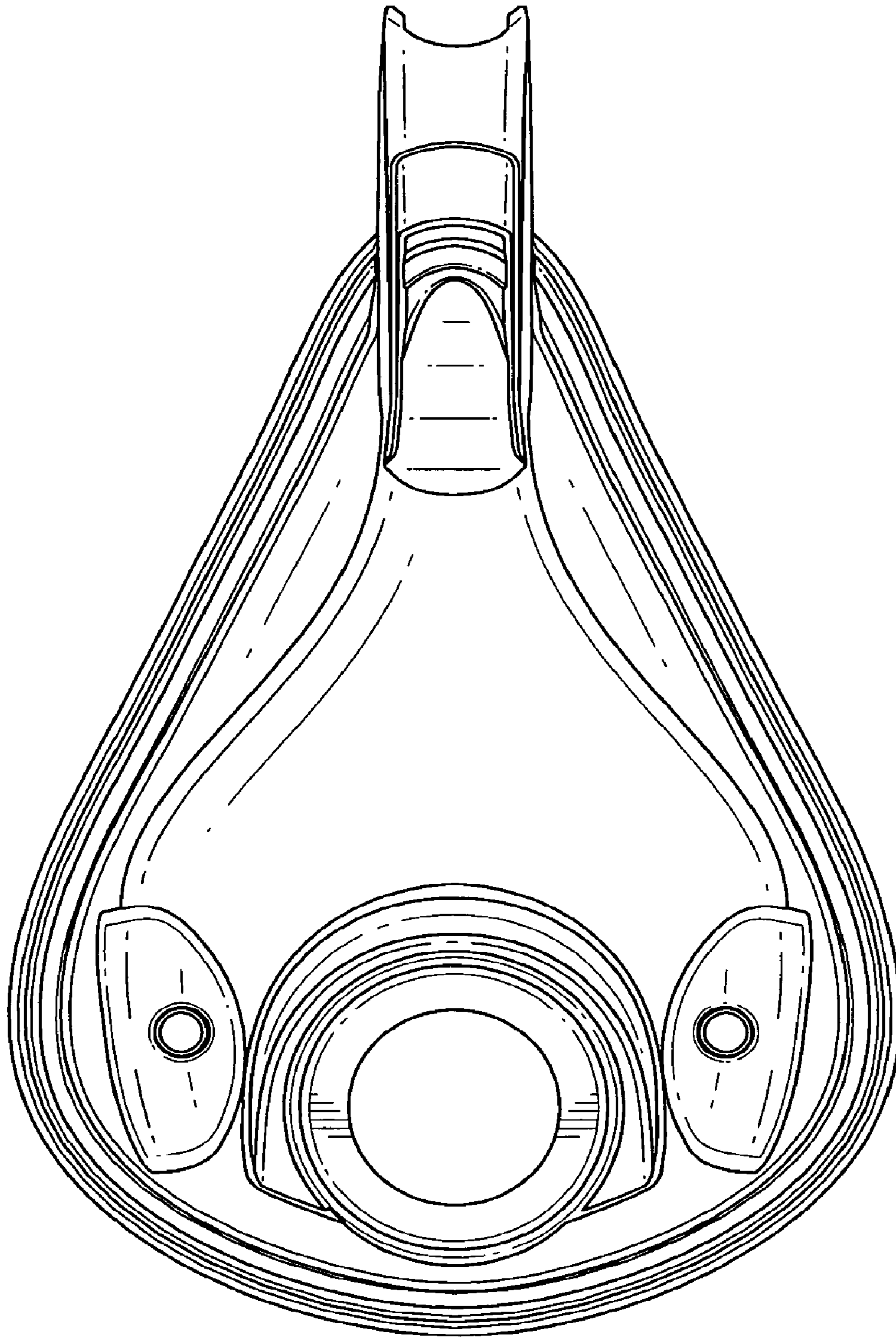


Fig. 24

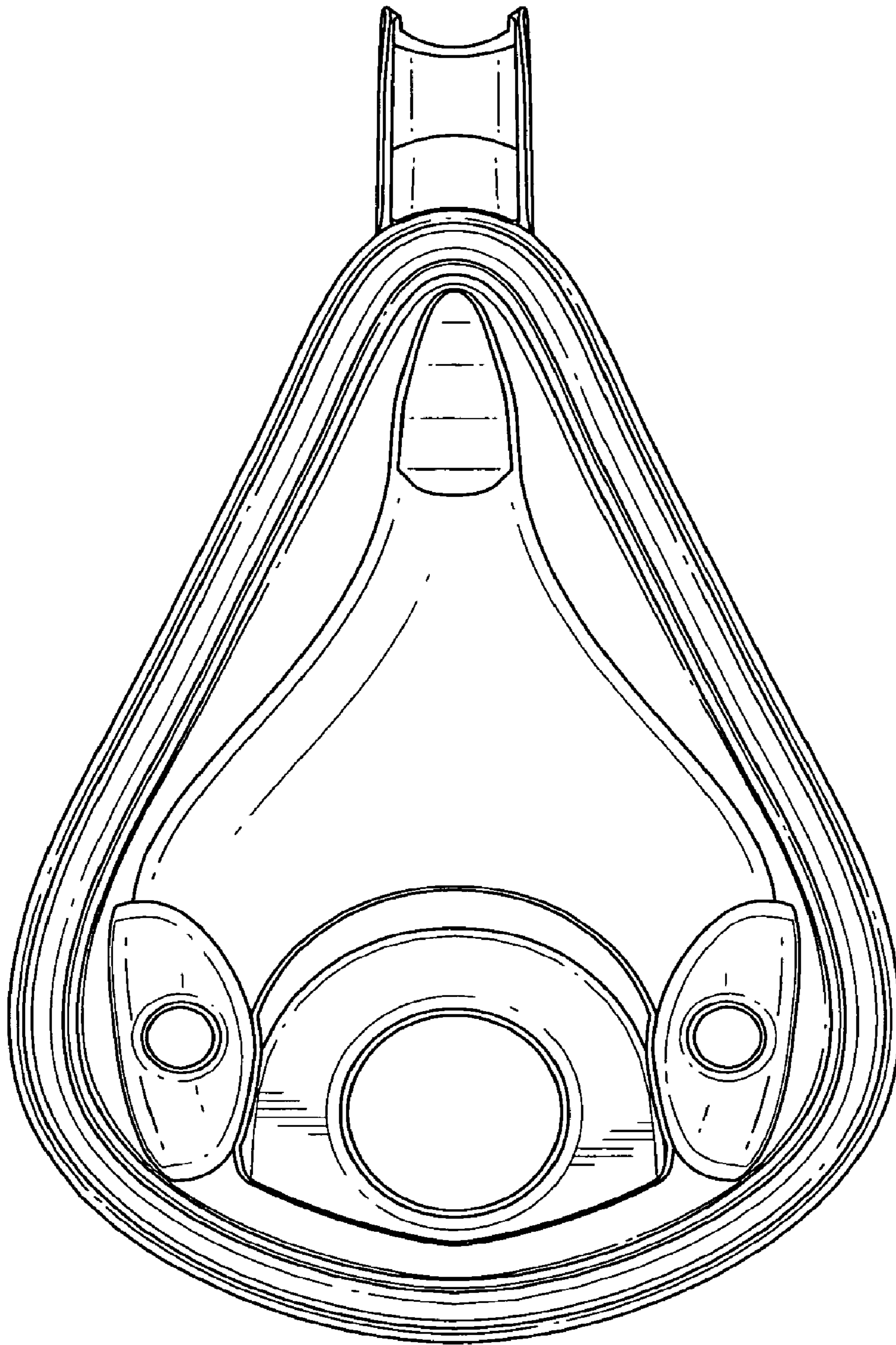


Fig. 25

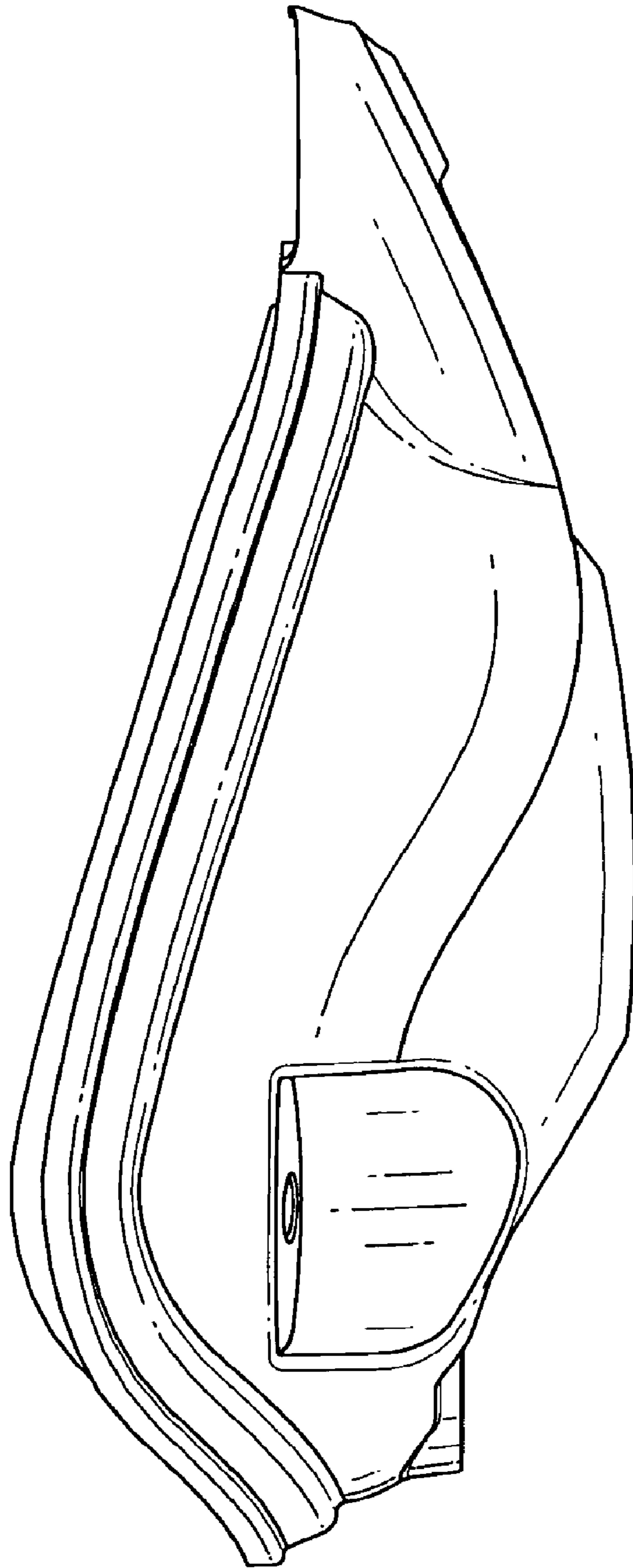


Fig. 26

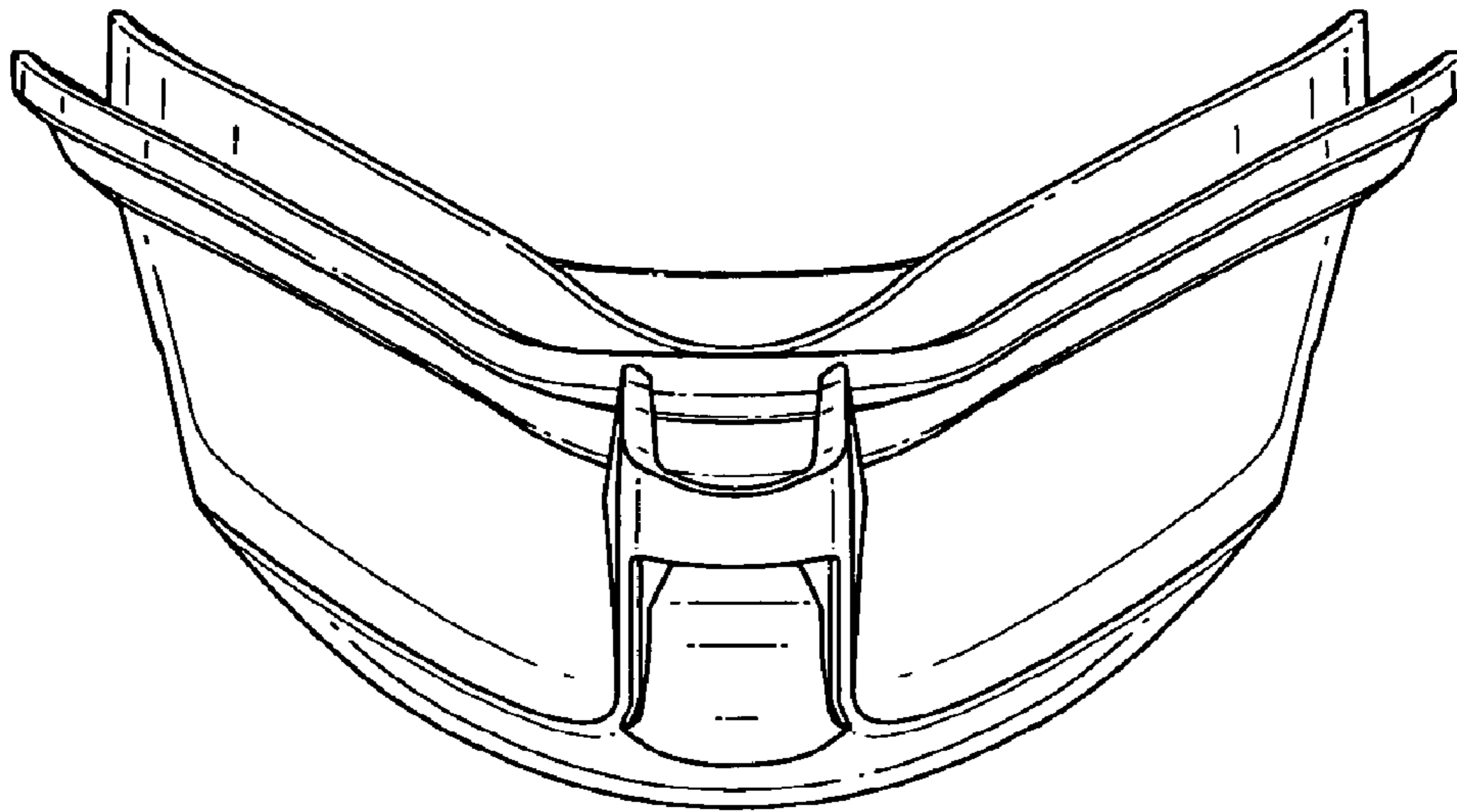


Fig. 27

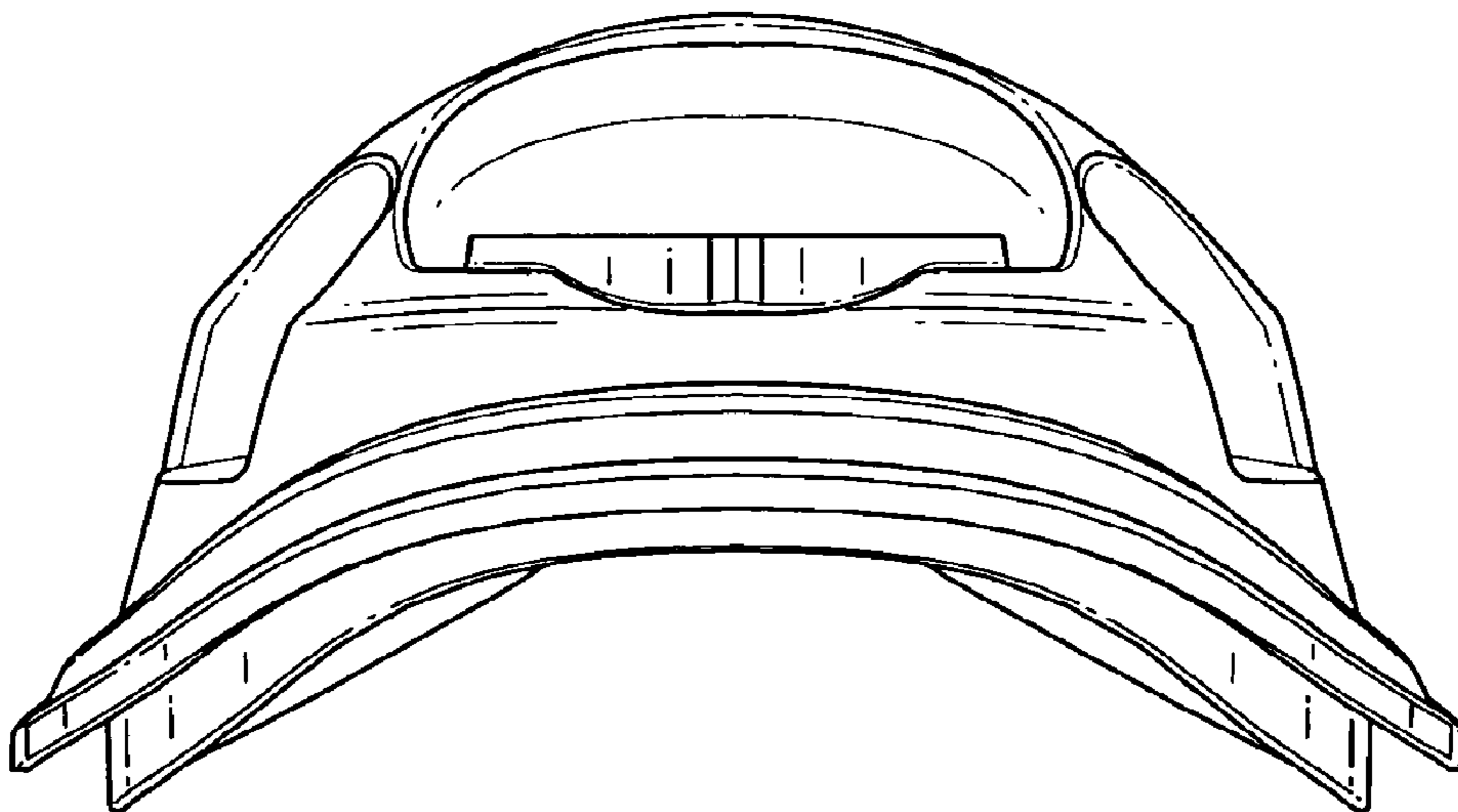


Fig. 28