



US00D549320S

(12) **United States Design Patent**
O'Connell

(10) **Patent No.:** **US D549,320 S**

(45) **Date of Patent:** **** Aug. 21, 2007**

(54) **ASPIRATOR BASE CONSOLE**

D508,921 S * 8/2005 Hsieh et al. D15/7

(75) Inventor: **Mark E. O'Connell**, Cedar Grove, WI
(US)

FOREIGN PATENT DOCUMENTS

GB 2097347 * 3/2001

(73) Assignee: **Thomas Industries, Inc.**, Sheboygan,
WI (US)

OTHER PUBLICATIONS

Contemporary Products, Inc., "Model 6260 Aspirator," Advertising Literature.

(**) Term: **14 Years**

* cited by examiner

(21) Appl. No.: **29/188,315**

Primary Examiner—Ian Simmons

(22) Filed: **Aug. 15, 2003**

Assistant Examiner—Anna J. Burmeister

(51) **LOC (8) Cl.** **24-01**

(52) **U.S. Cl.** **D24/108**

(58) **Field of Classification Search** D24/108,
D24/111; D15/7, 8, 9, 9.1, 9.2, 9.3, 9.7;
248/311.2; 604/540, 541, 317, 319.19; D3/32
See application file for complete search history.

(74) *Attorney, Agent, or Firm*—James B. Conte; Barnes & Thornburg LLP

(57) **CLAIM**

The ornamental design for an aspirator base console, as shown and described.

(56) **References Cited**

DESCRIPTION

U.S. PATENT DOCUMENTS

- 3,671,151 A * 6/1972 Duke et al. 417/411
- D298,650 S * 11/1988 Lash D24/111
- D302,728 S * 8/1989 Herbst et al. D24/111
- 4,857,063 A * 8/1989 Glenn 604/317
- D328,642 S * 8/1992 Say D24/111
- D342,231 S * 12/1993 Walker et al. D13/108
- D370,727 S * 6/1996 Atkinson et al. D24/111
- D382,276 S * 8/1997 Simonette et al. D15/7
- D414,500 S * 9/1999 Davis et al. D15/7
- D437,929 S * 2/2001 Leonhard et al. D24/108
- D456,821 S * 5/2002 Ege et al. D15/28
- D472,903 S * 4/2003 Shiau D15/9
- D478,095 S * 8/2003 Reger D15/9

FIG. 1 is a top, front, right side perspective view of an aspirator base console, showing my new design;

FIG. 2 is a top, front, right side perspective of an aspirator base console;

FIG. 3 is a top plan view thereof;

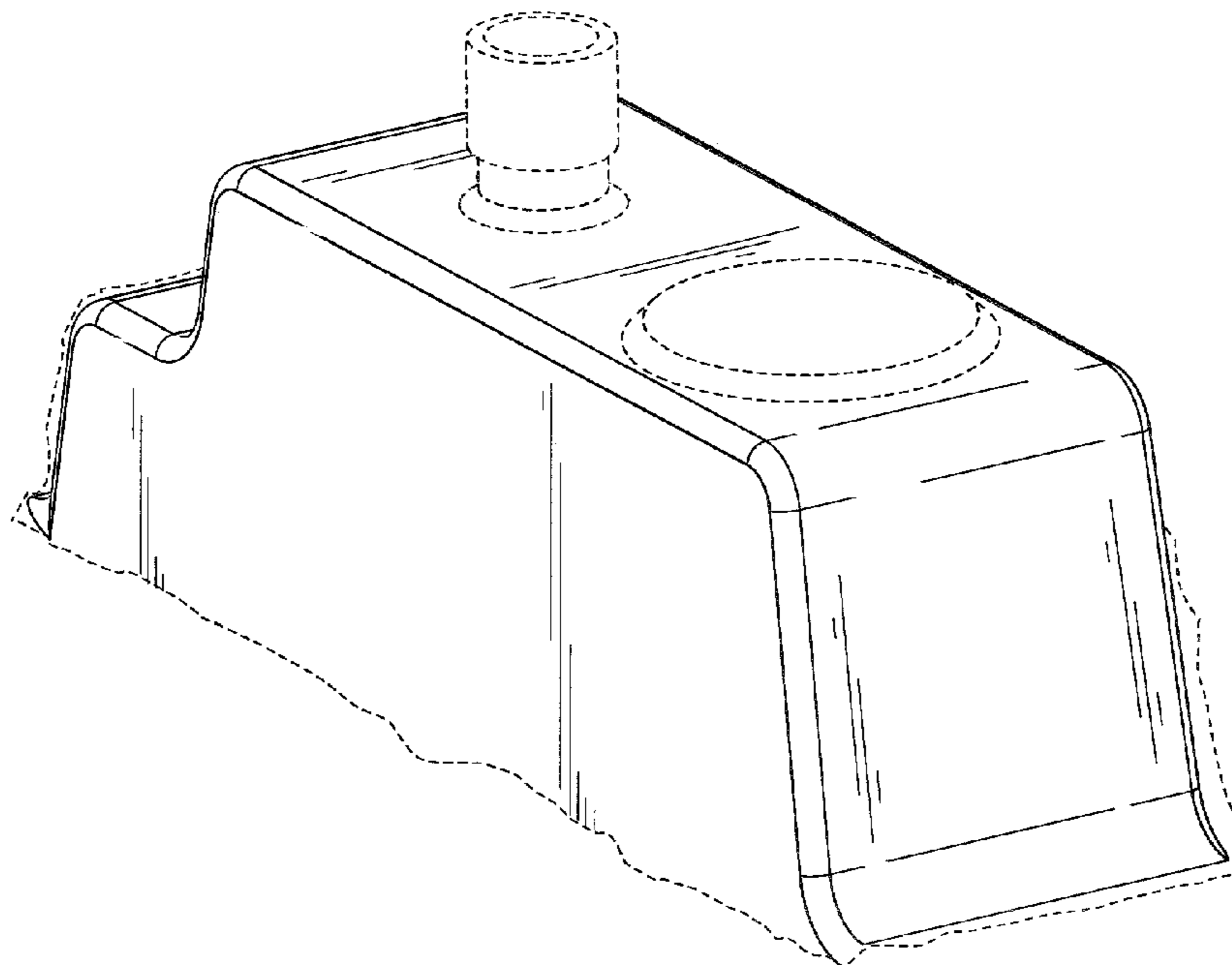
FIG. 4 is a front elevational view thereof;

FIG. 5 is a right side elevational view thereof; and,

FIG. 6 is a left side left side elevational view thereof.

The broken lines shown in the drawings are for environmental purposes only and form no part of the claimed design.

1 Claim, 5 Drawing Sheets



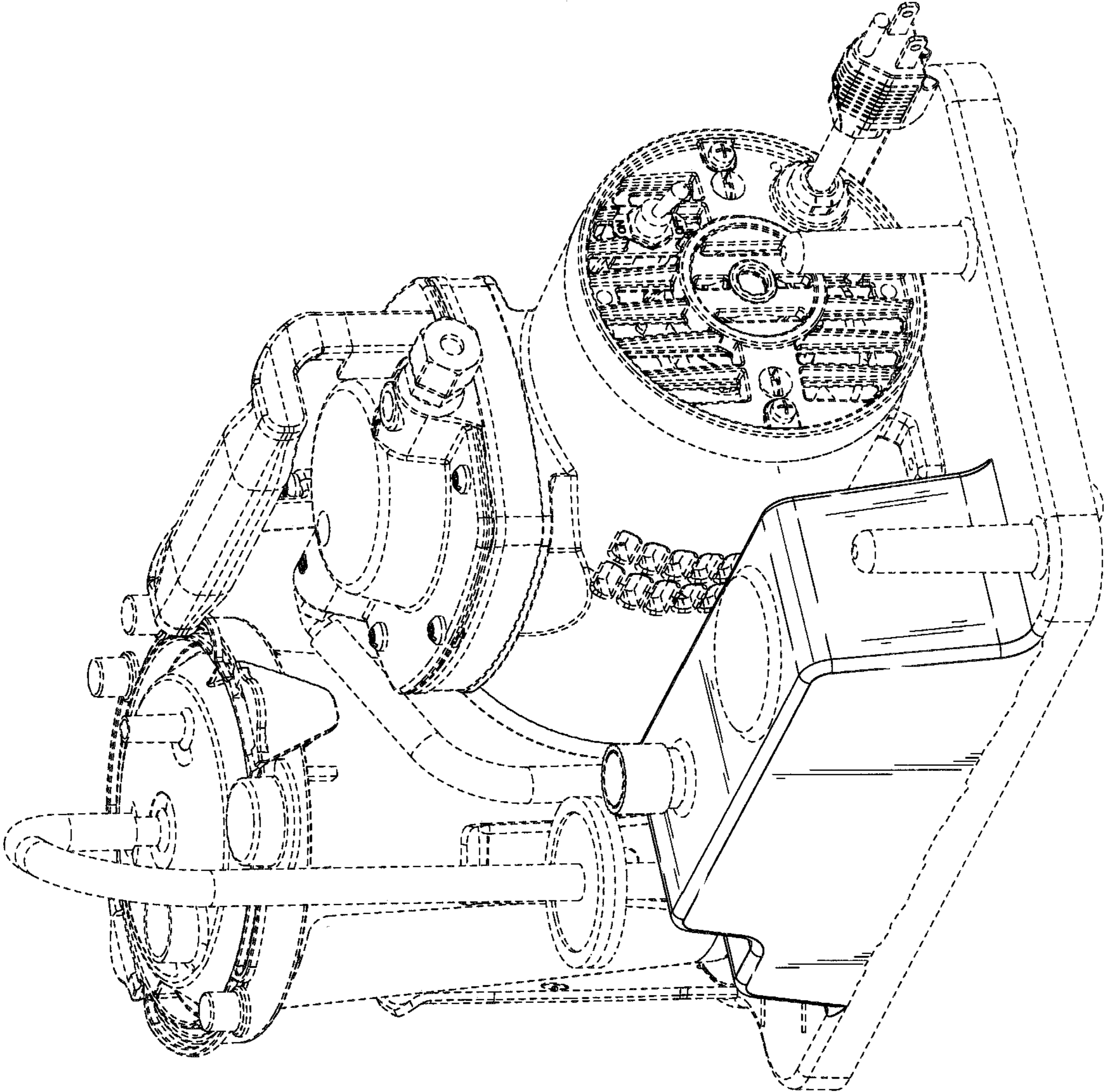


Fig. 1

Fig. 2

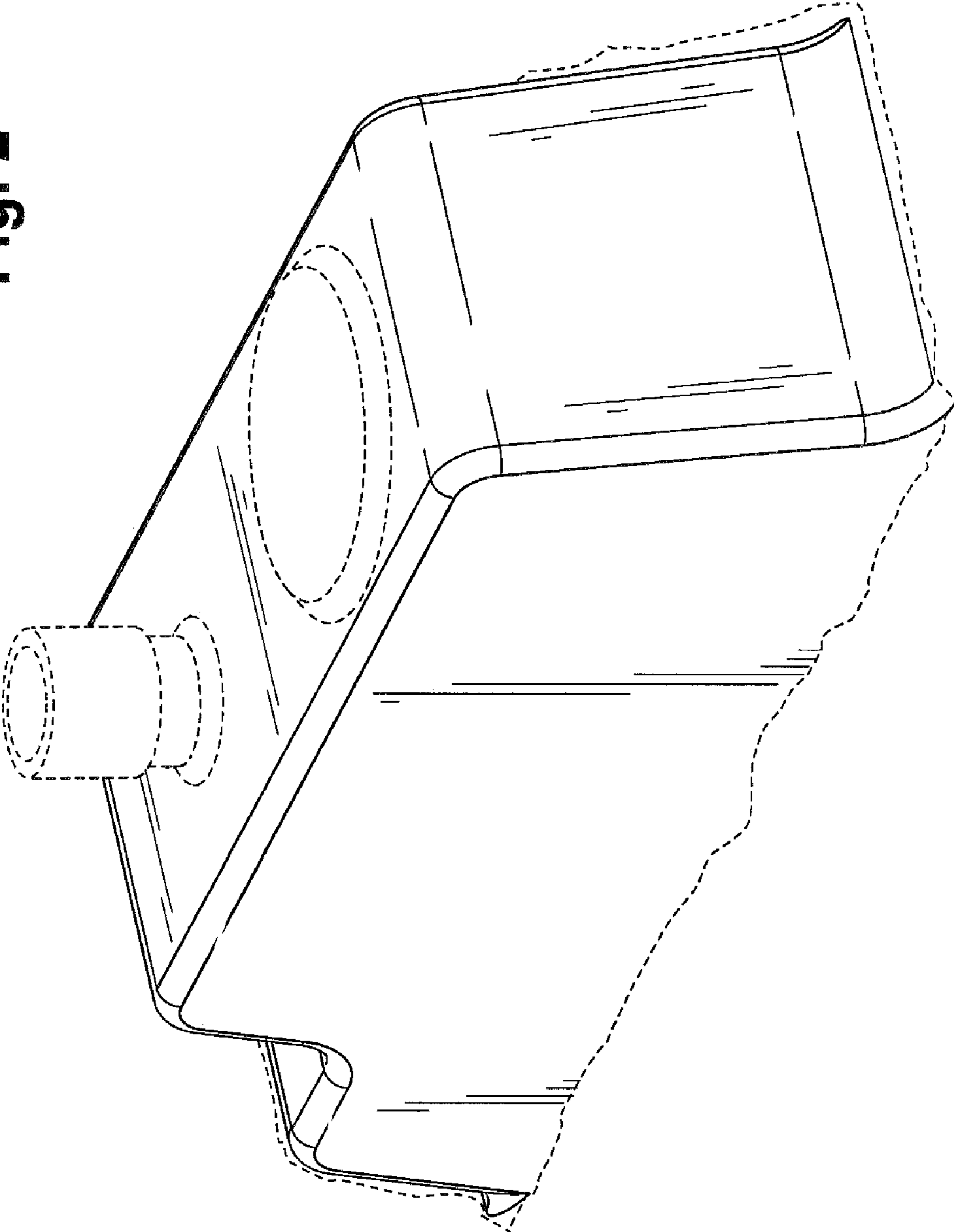


Fig. 3

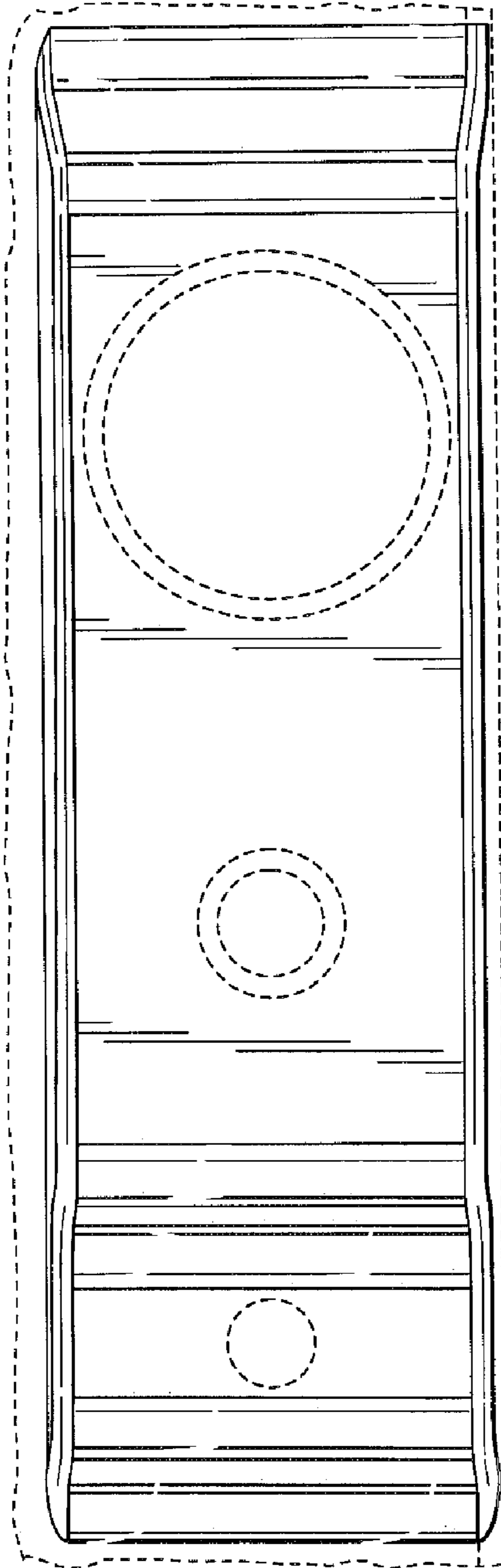


Fig. 4

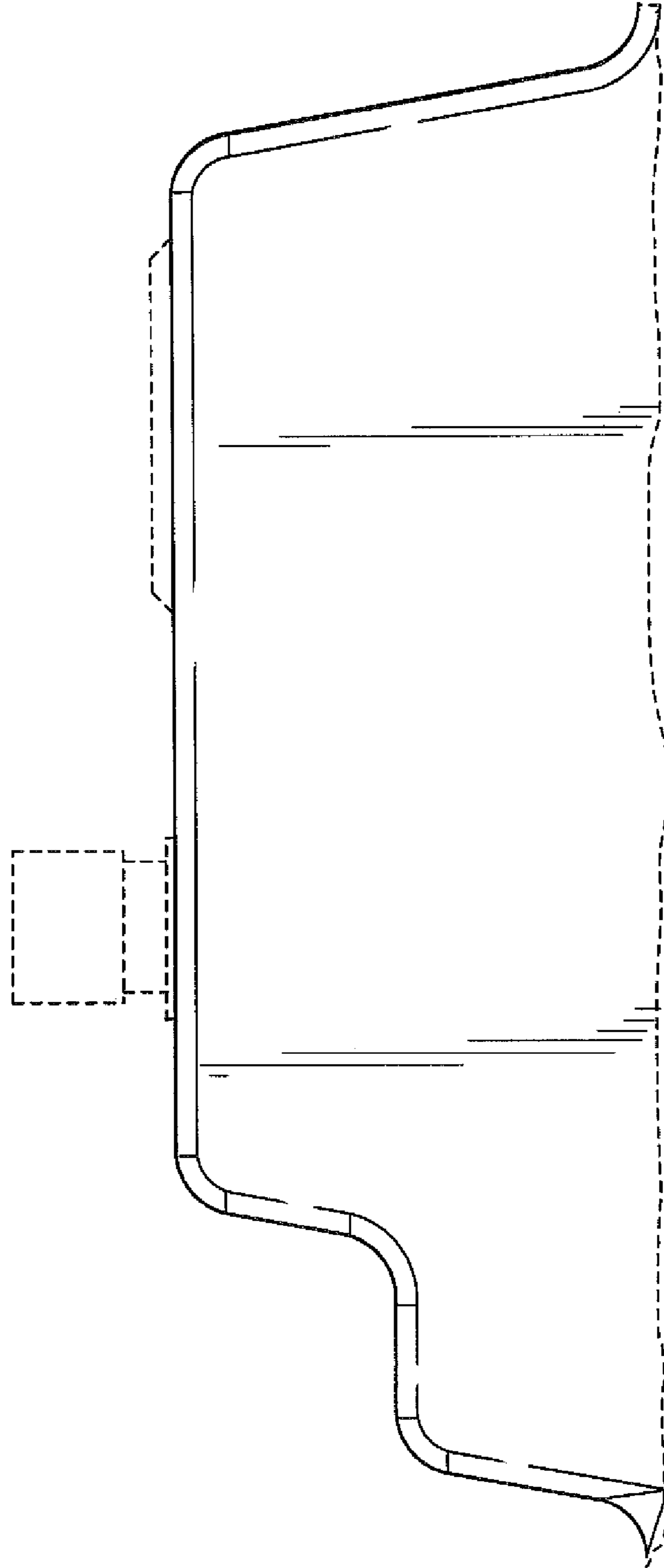


Fig. 6

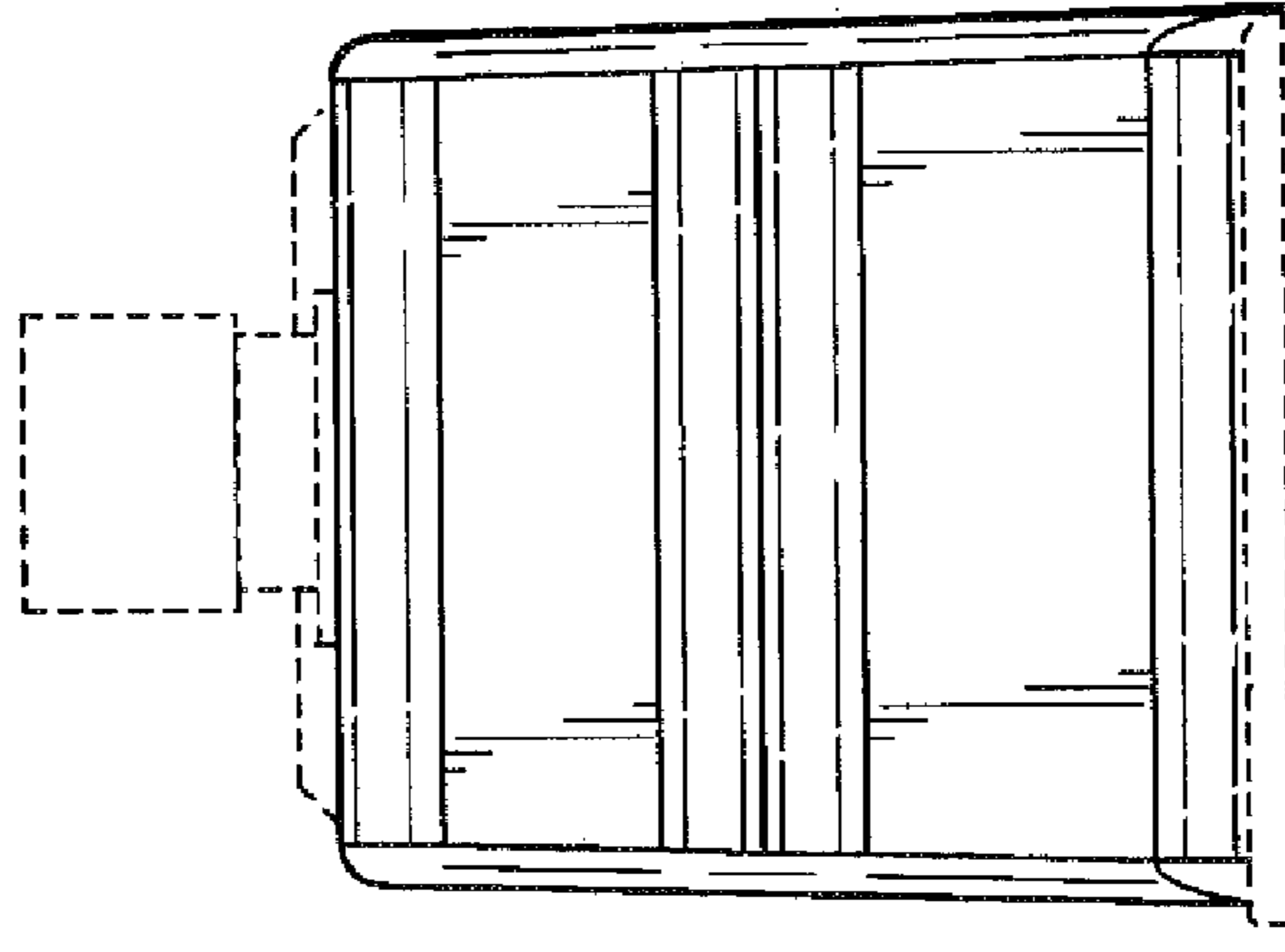


Fig. 5

