



US00D549319S

(12) **United States Design Patent**
Shurtleff

(10) **Patent No.:** **US D549,319 S**

(45) **Date of Patent:** **** Aug. 21, 2007**

(54) **CEILING FAN MOTOR HOUSING**

D530,416 S * 10/2006 Shurtleff D23/411
D533,937 S * 12/2006 Pan D23/411

(75) Inventor: **Mark L. Shurtleff**, Long Beach, CA
(US)

* cited by examiner

(73) Assignee: **Air Cool Industrial Co., Ltd.**,
Taichung County (TW)

Primary Examiner—Lisa Lichtenstein
(74) *Attorney, Agent, or Firm*—Troxell Law Office, PLLC

(**) Term: **14 Years**

(57) **CLAIM**

(21) Appl. No.: **29/265,125**

I claim the ornamental design for a ceiling fan motor housing, as shown and described.

(22) Filed: **Aug. 25, 2006**

DESCRIPTION

(51) **LOC (8) Cl.** **23-04**

(52) **U.S. Cl.** **D23/411**

(58) **Field of Classification Search** D23/411,
D23/413, 377, 379, 385; 416/5; D26/59,
D26/51, 72, 80–86, 73

See application file for complete search history.

FIG. 1 is a front perspective view of a ceiling fan motor housing showing my new design;

FIG. 2 is a front elevational view thereof;

FIG. 3 is a rear elevational view thereof;

FIG. 4 is a left side elevational view thereof;

FIG. 5 is a right side elevational view thereof;

FIG. 6 is a top plan view thereof; and,

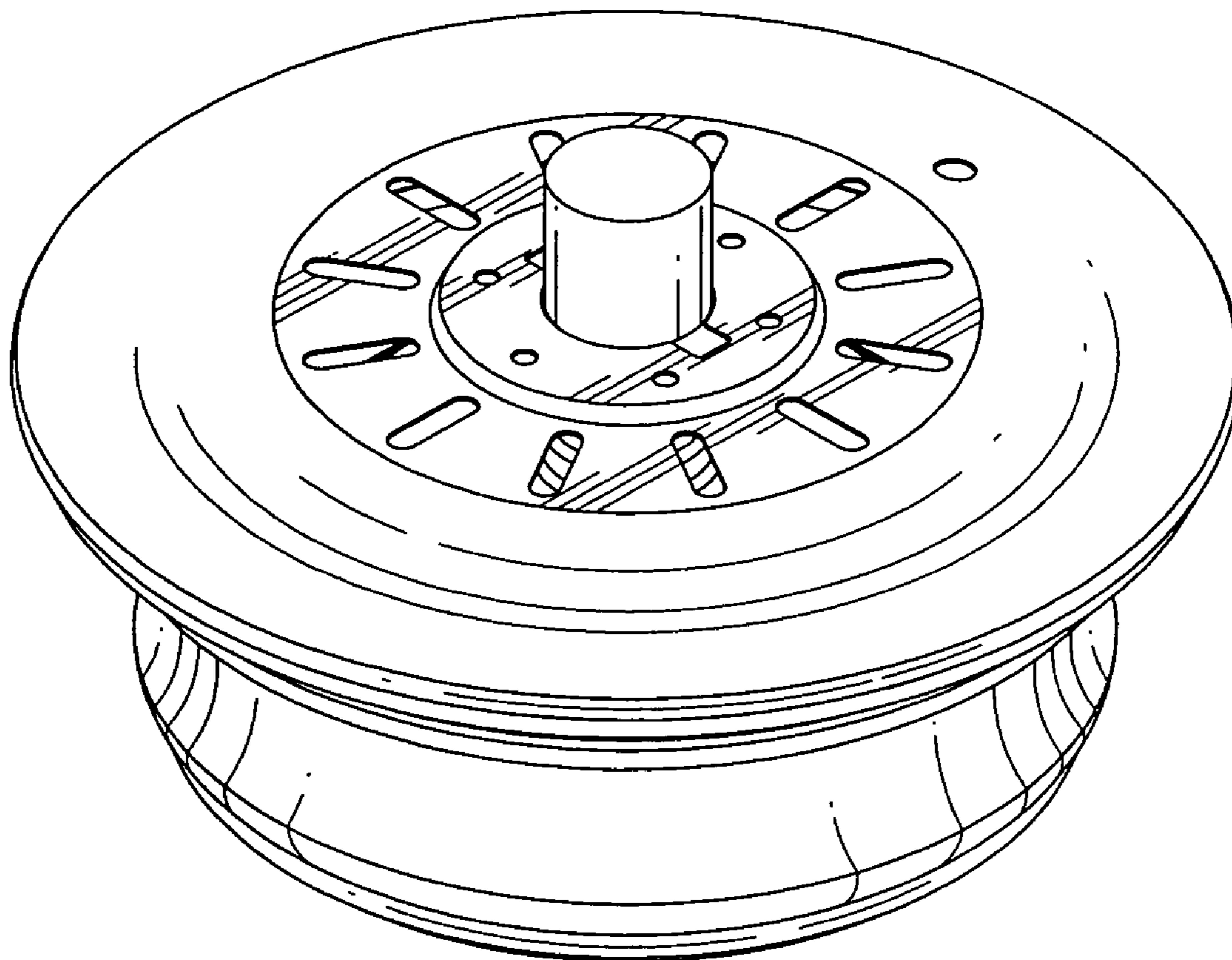
FIG. 7 is a bottom plan view thereof.

(56) **References Cited**

U.S. PATENT DOCUMENTS

D392,382 S * 3/1998 Pickett D23/411
D526,407 S * 8/2006 Pickett D23/411
D529,602 S * 10/2006 Glasbrenner D23/411

1 Claim, 5 Drawing Sheets



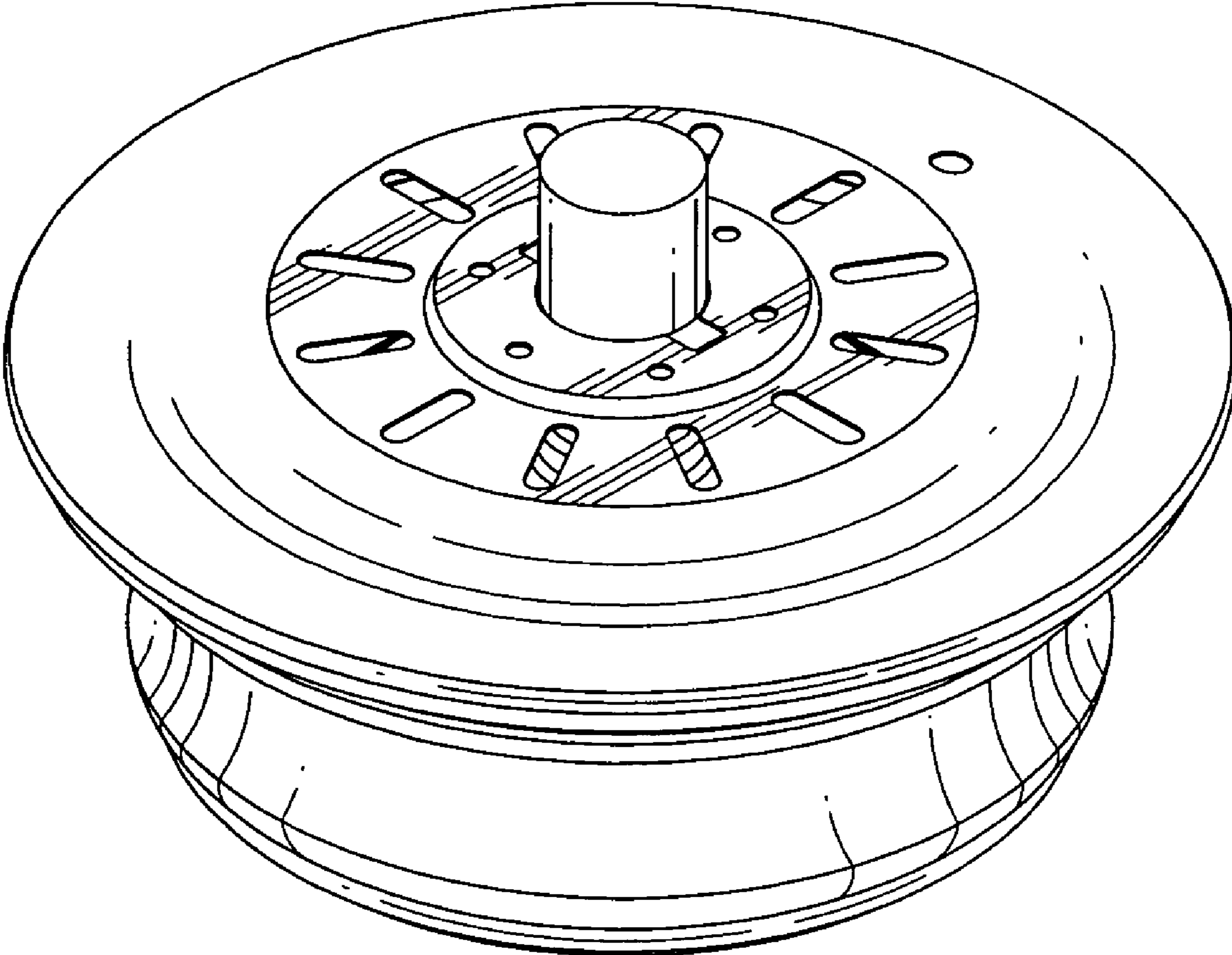


FIG. 1

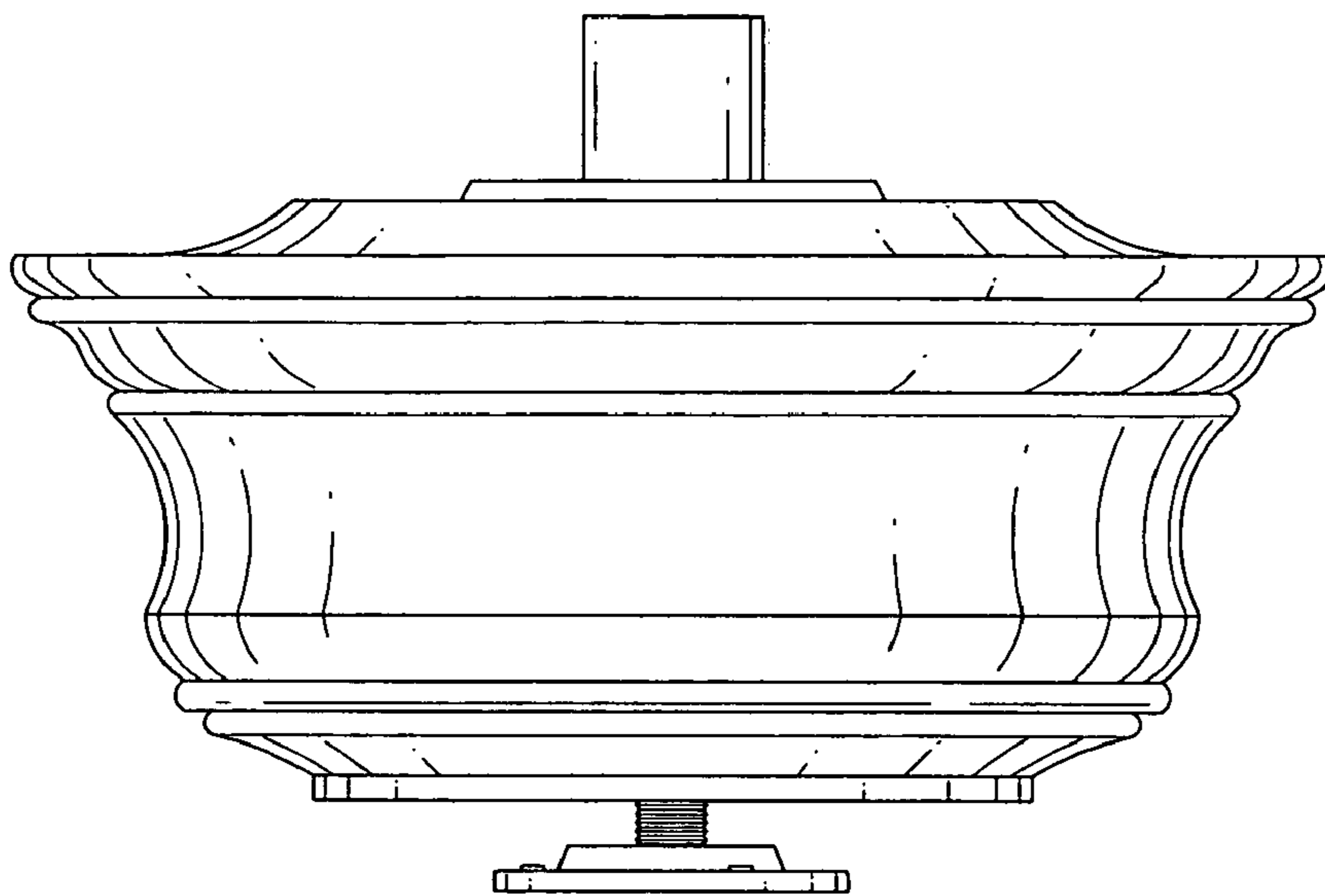


FIG. 2

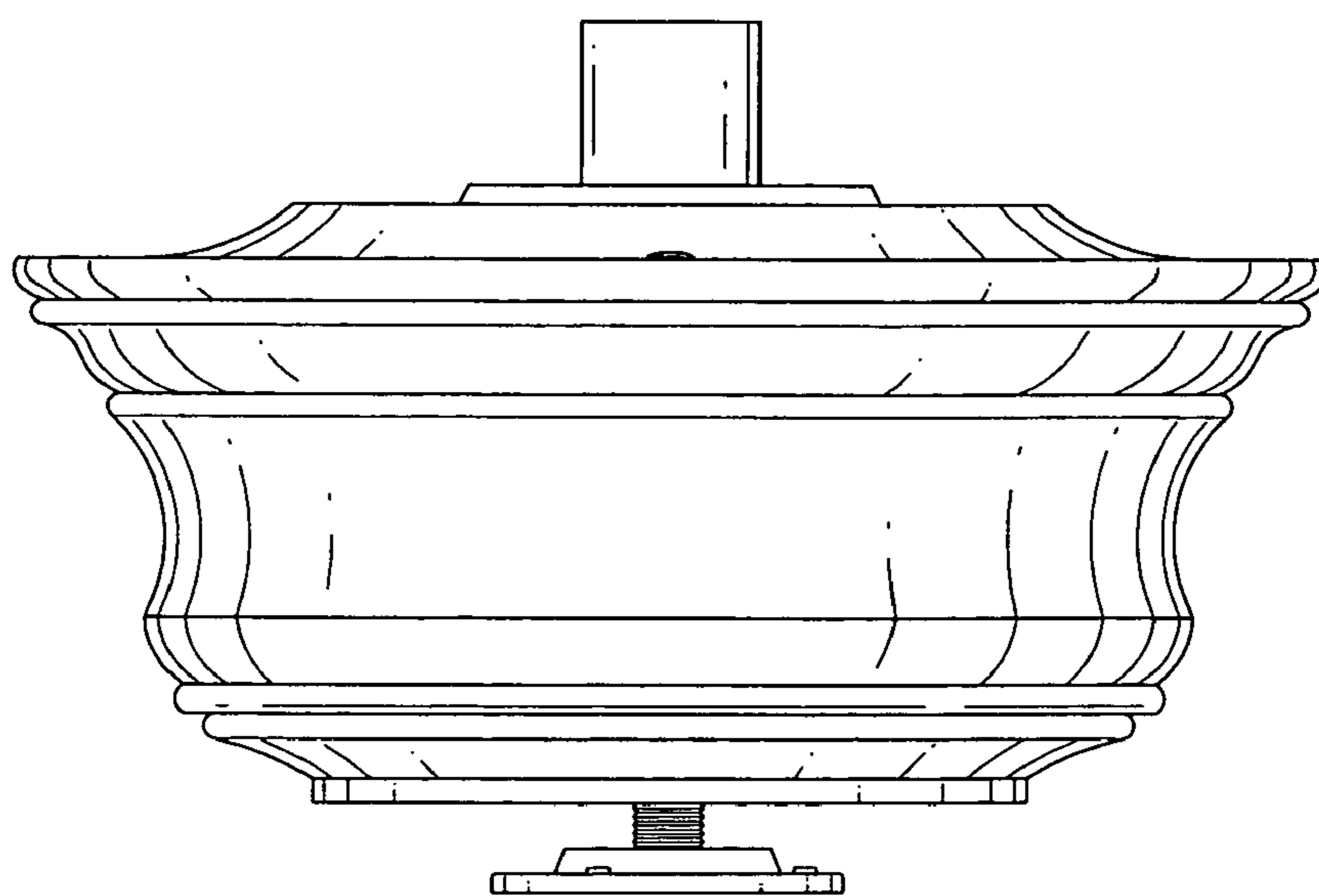


FIG. 3

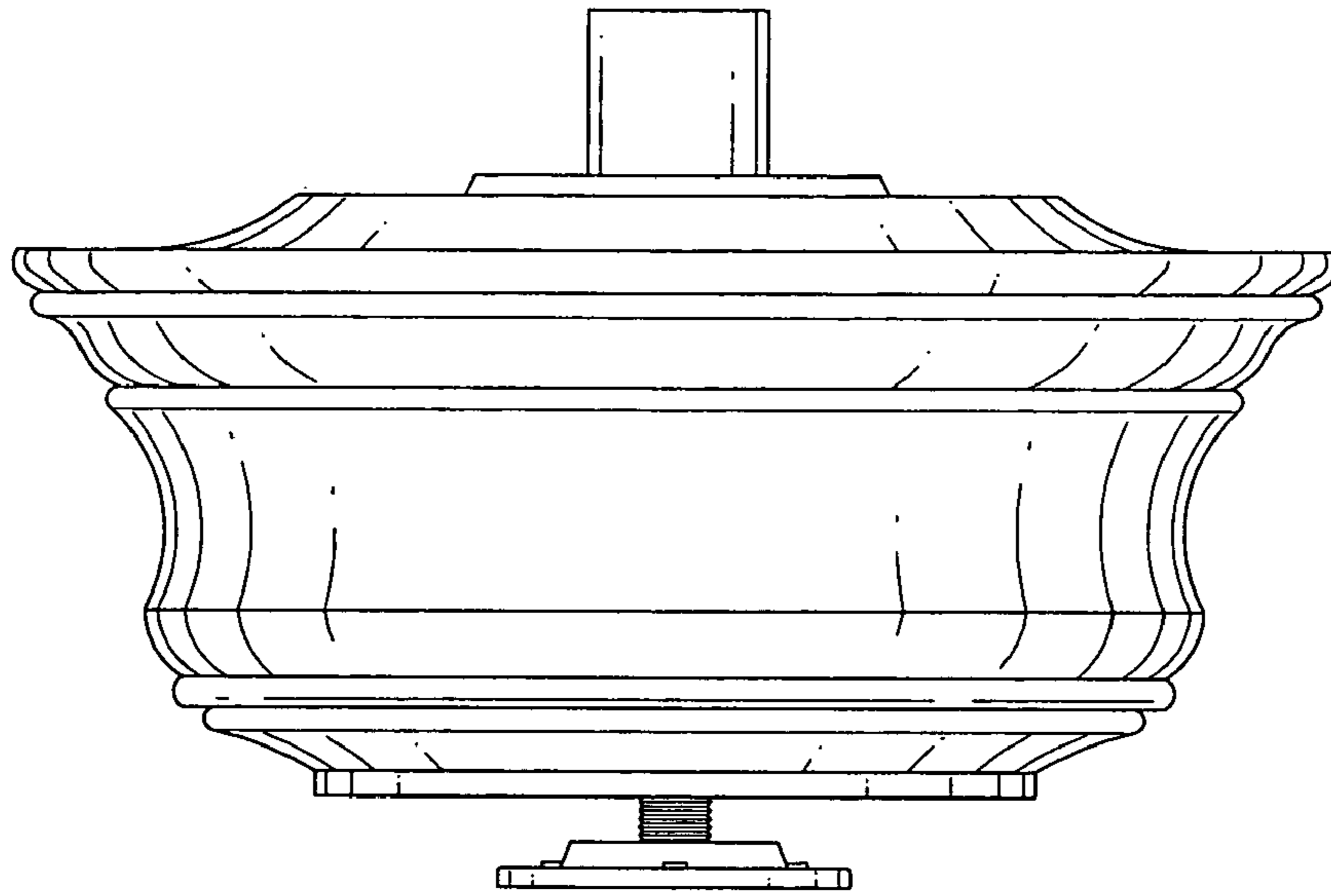


FIG. 4

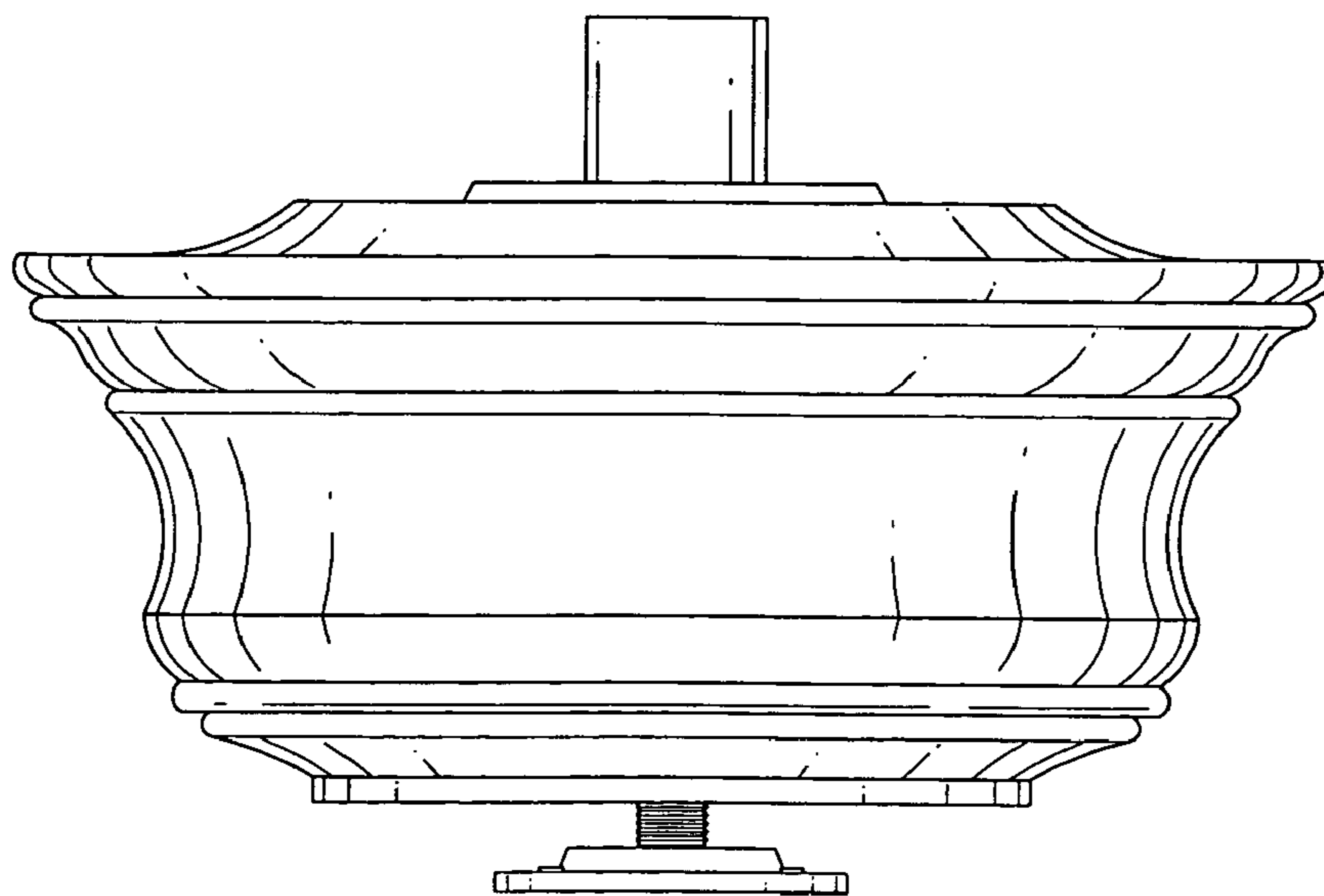


FIG. 5

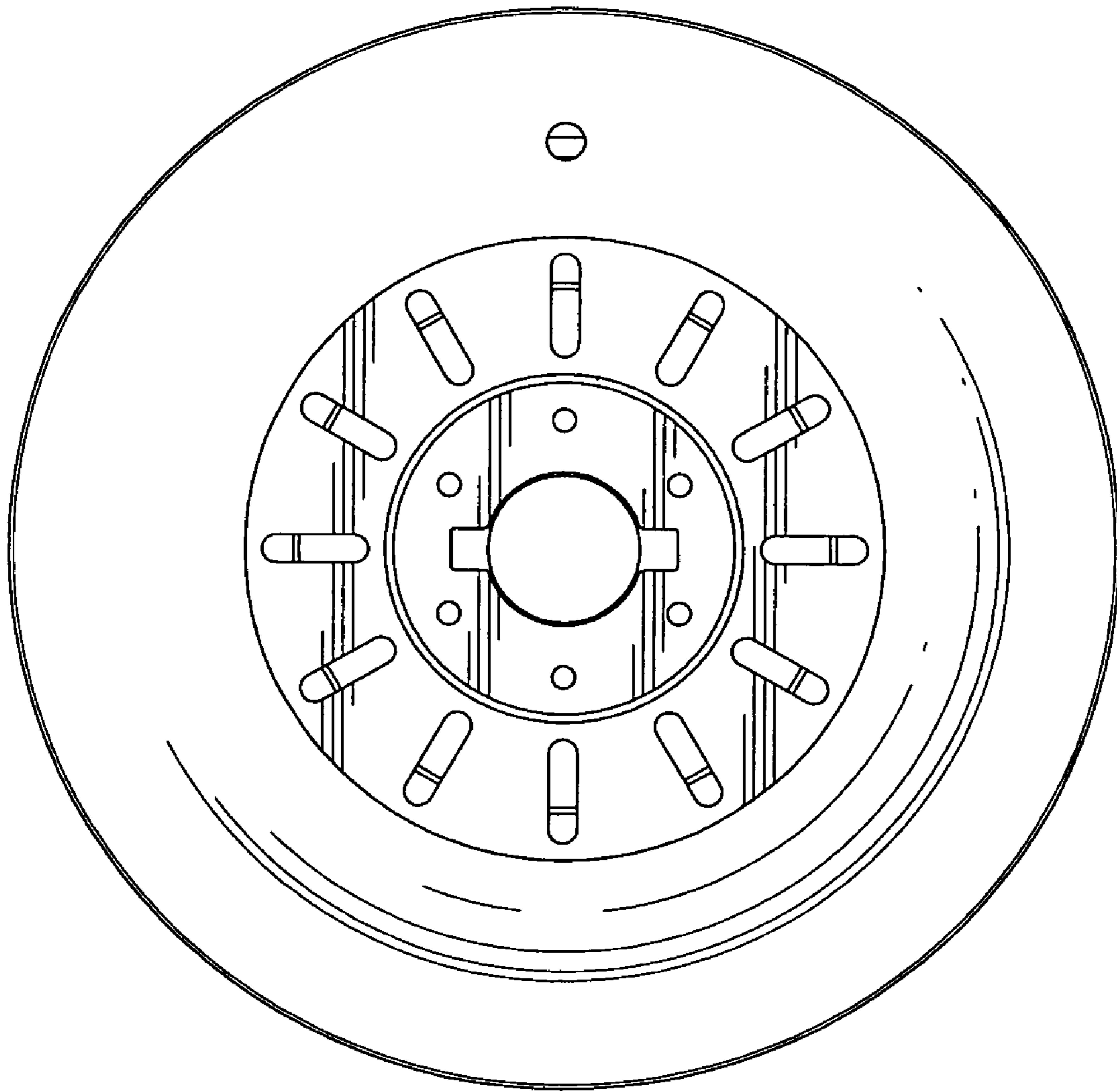


FIG. 6

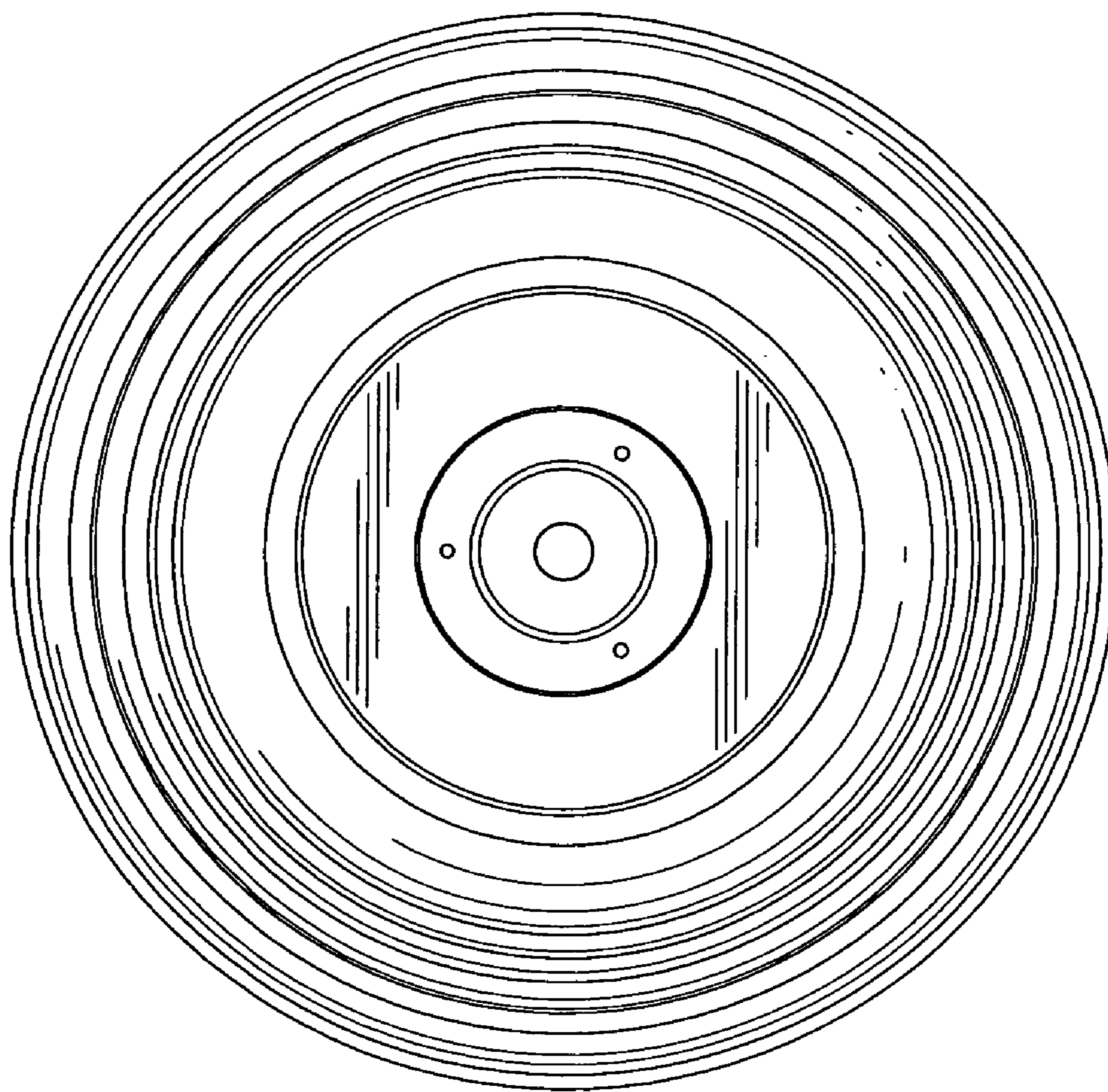


FIG. 7