



US00D549318S

(12) **United States Design Patent**
Gajewski

(10) **Patent No.:** **US D549,318 S**

(45) **Date of Patent:** **** Aug. 21, 2007**

(54) **CEILING FAN COMPONENT**

(75) Inventor: **Mark Gajewski**, Avila Beach, CA (US)

(73) Assignee: **Minka Lighting, Inc.**, Corona, CA (US)

(**) Term: **14 Years**

(21) Appl. No.: **29/249,814**

(22) Filed: **Oct. 23, 2006**

(51) **LOC (8) Cl.** **23-04**

(52) **U.S. Cl.** **D23/411**

(58) **Field of Classification Search** D23/411,
D23/413, 377, 379, 385; 416/5; D26/59,
D26/51, 72, 80-86, 73

See application file for complete search history.

(56) **References Cited**

U.S. PATENT DOCUMENTS

D372,774 S *	8/1996	Holbrook	D23/411
D407,155 S *	3/1999	Liu	D23/411
D426,630 S	6/2000	Gajewski		
D426,879 S	6/2000	Gajewski		
D520,633 S *	5/2006	Tai	D23/411
D525,698 S *	7/2006	Wang	D23/377
D536,086 S *	1/2007	Pan	D23/411

OTHER PUBLICATIONS

- U.S. Appl. No. 29/249,817.
- U.S. Appl. No. 29/249,820.
- U.S. Appl. No. 29/249,821.
- U.S. Appl. No. 29/249,822.
- U.S. Appl. No. 29/249,823.
- U.S. Appl. No. 29/249,825.
- U.S. Appl. No. 29/249,826.
- U.S. Appl. No. 29/249,806.
- U.S. Appl. No. 29/249,807.

- U.S. Appl. No. 29/249,808.
- U.S. Appl. No. 29/249,809.
- U.S. Appl. No. 29/249,812.
- U.S. Appl. No. 29/249,816.
- U.S. Appl. No. 29/249,815.
- MinkaAire Internet Catalog; Acero ceiling fan; Model F-601; printed from minkagroup.net.
- Sogno Internet Catalog; Pupazzo floor lamp; Model # FL0601-38; printed from www.thesogno.com.
- Woolen Mill Fan Company Internet Catalog; printed from www.architecturalfans.com.

* cited by examiner

Primary Examiner—Lisa Lichtenstein

(74) *Attorney, Agent, or Firm*—Baker & McKenzie LLP

(57) **CLAIM**

The ornamental design for a ceiling fan component, as shown and described.

DESCRIPTION

FIG. 1 is a perspective view from below of a ceiling fan component in accordance with my design;

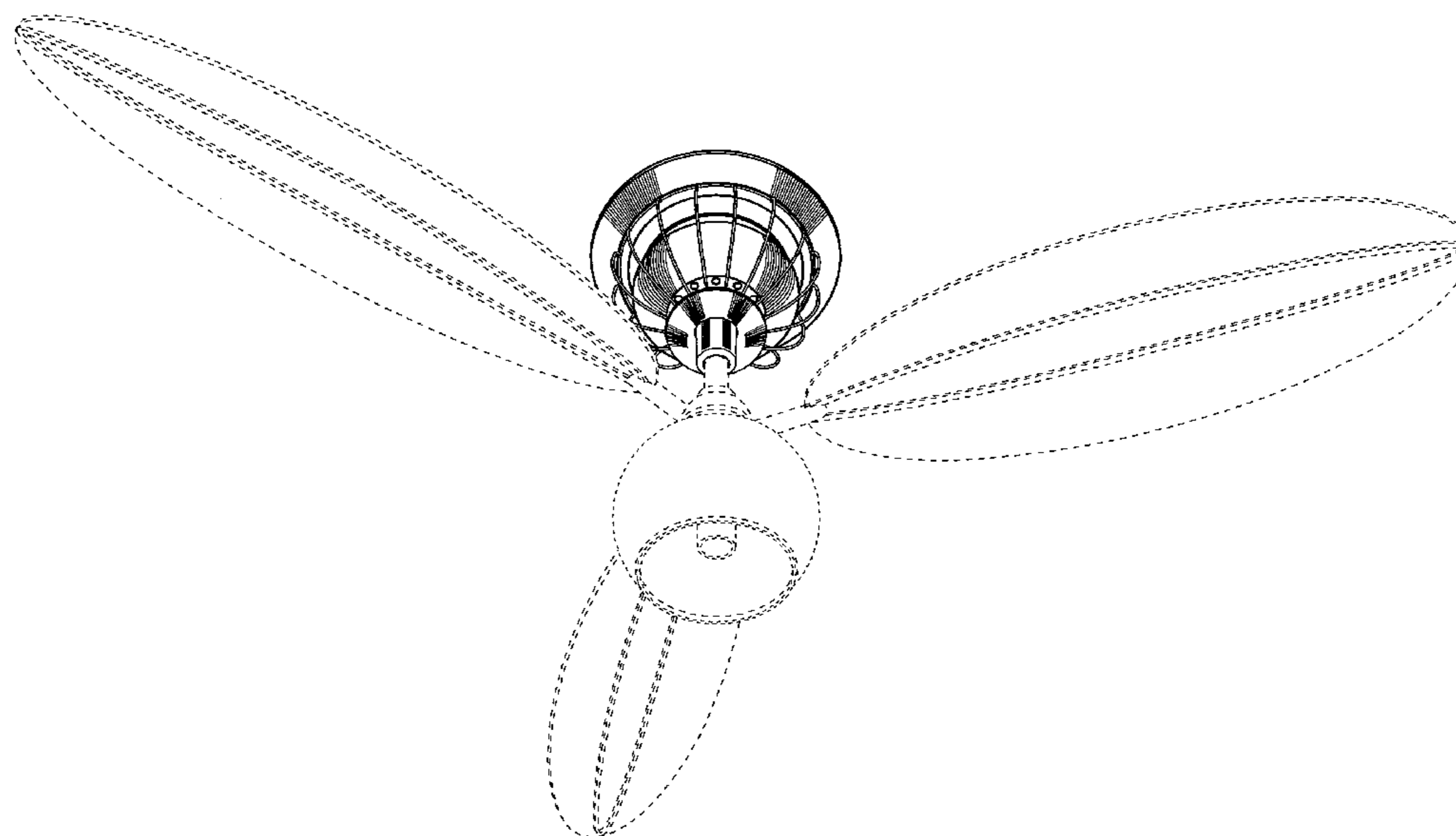
FIG. 2 is a reduced top plan view of the ceiling fan component in accordance with my design;

FIG. 3 is a reduced bottom plan view of the ceiling fan component in accordance with my design; and,

FIG. 4 is a side elevation view of the ceiling fan component in accordance with my design, all side views being mirror images thereof.

The broken line showing of a light fixture, fan blades, fan blade attachment members and the lower portion of the support pole of a ceiling fan is included for the purpose of illustrating environmental structure and forms no part of the claimed design.

1 Claim, 4 Drawing Sheets



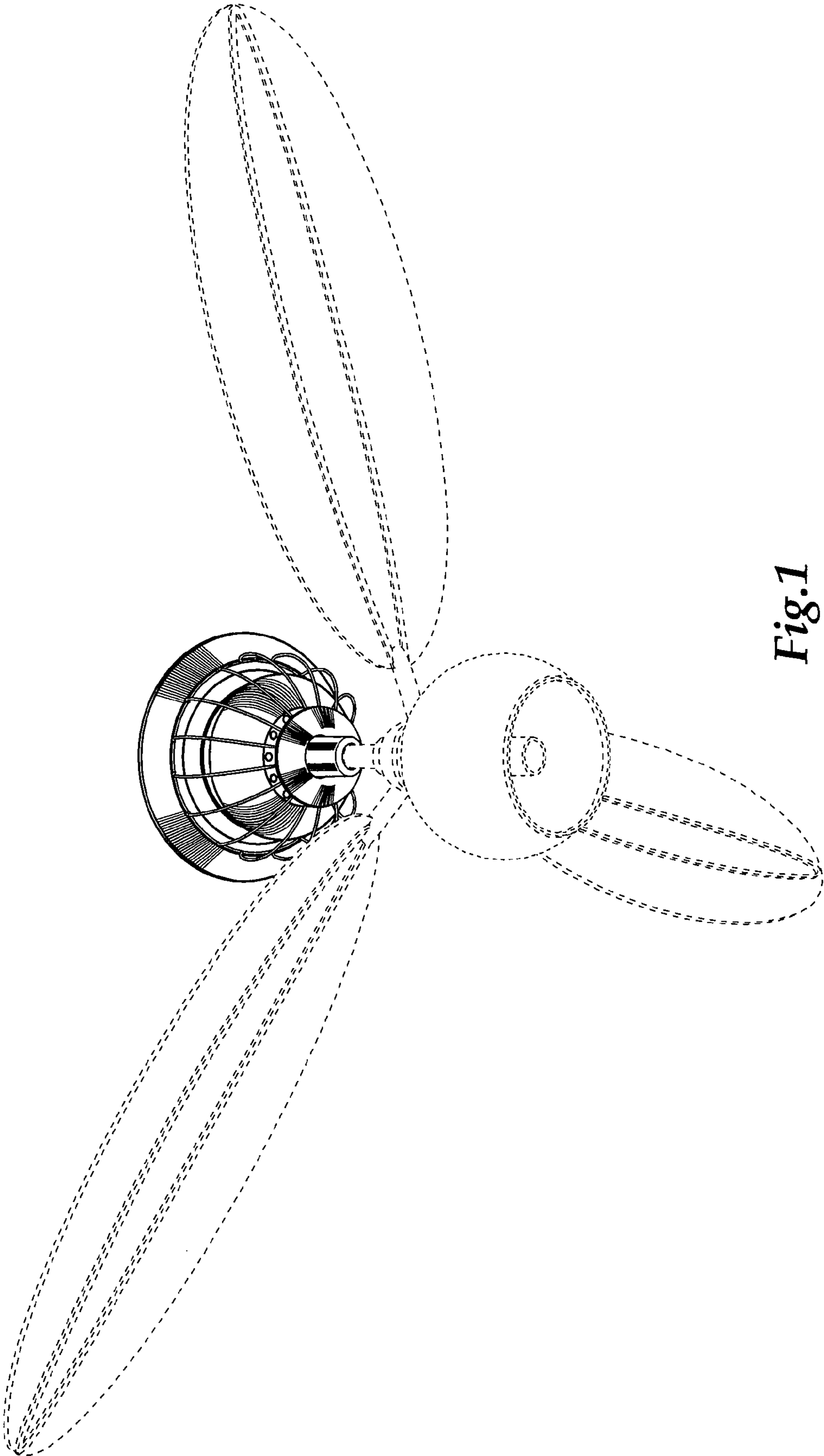


Fig.1

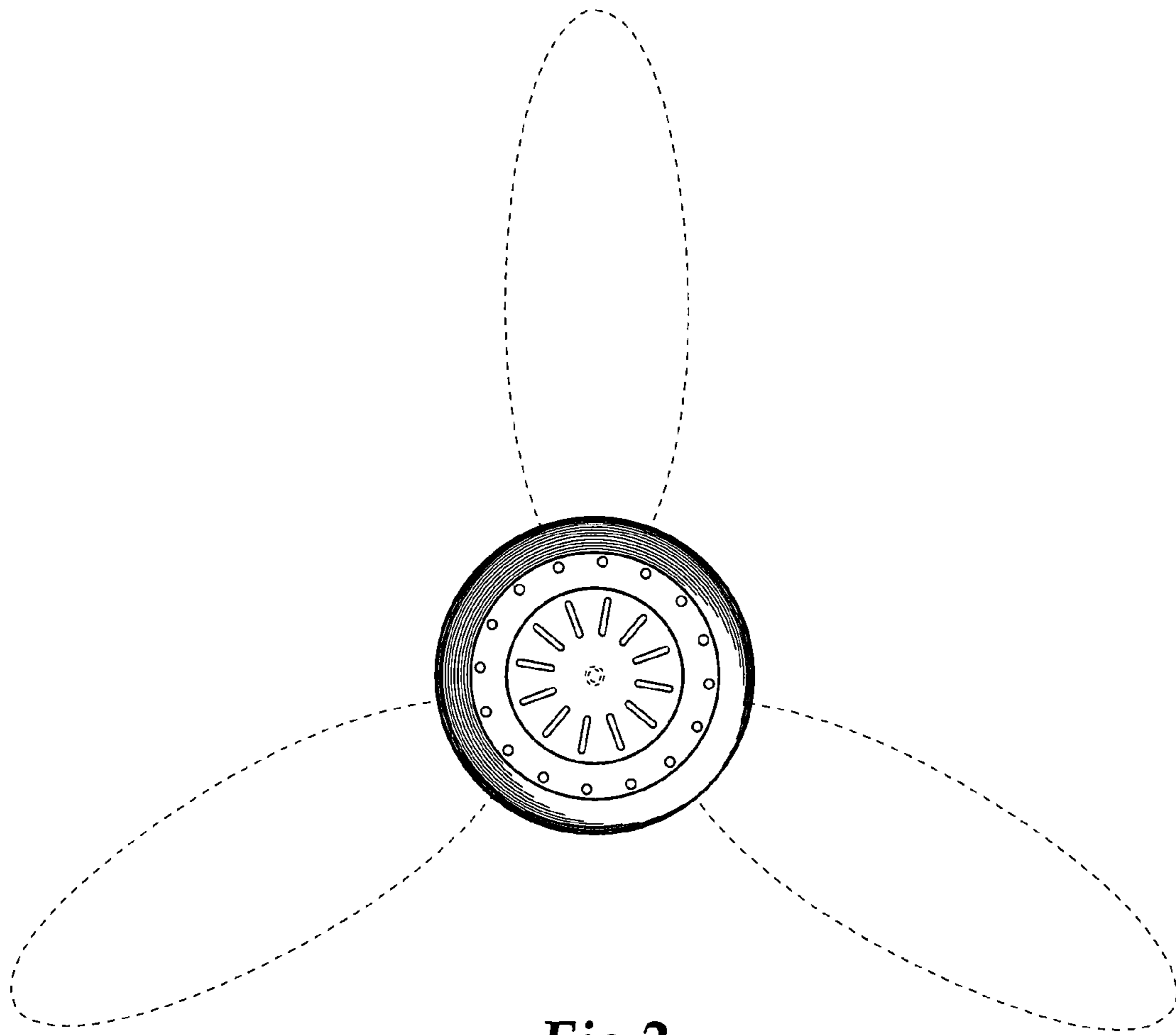


Fig.2

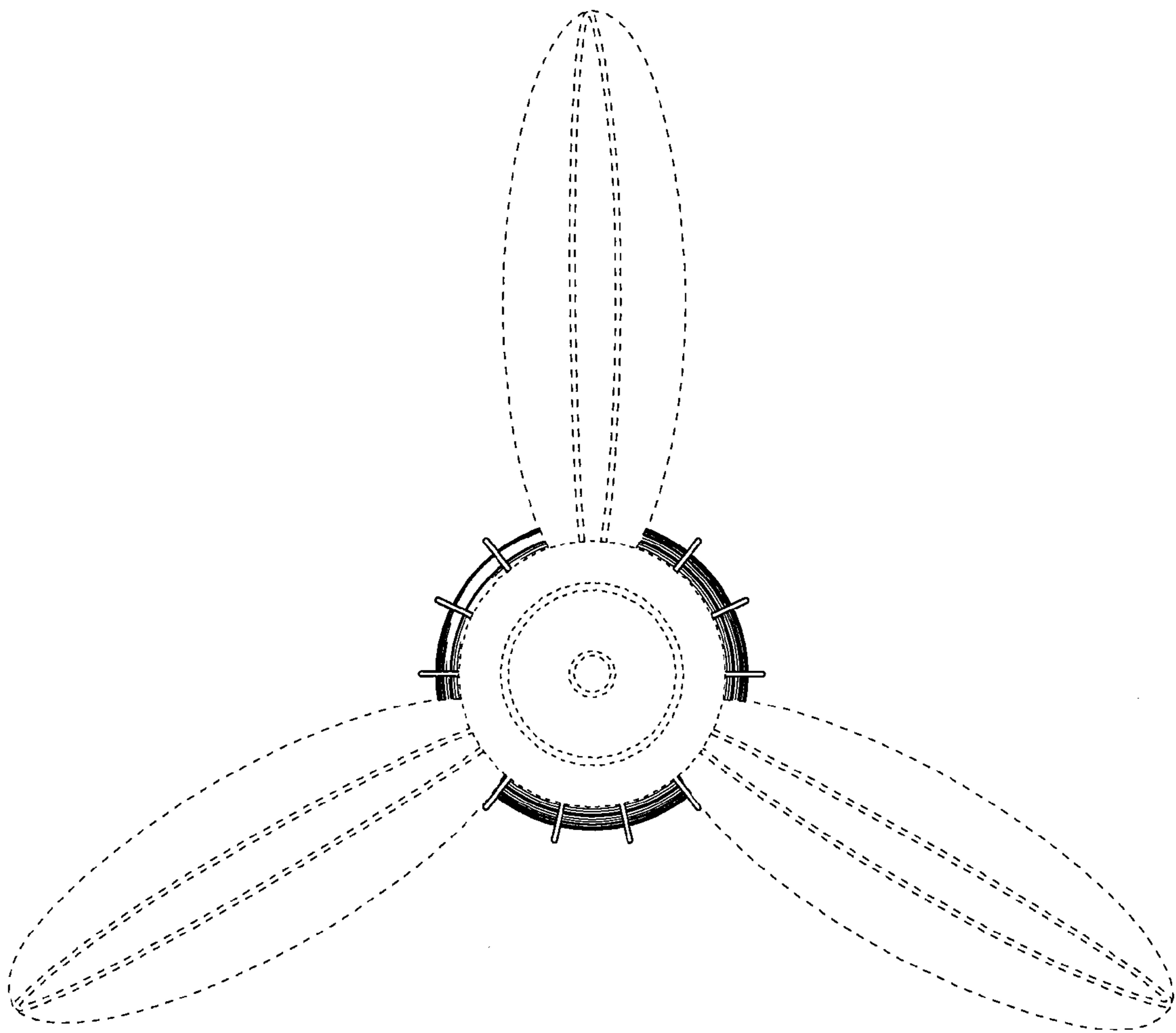


Fig.3

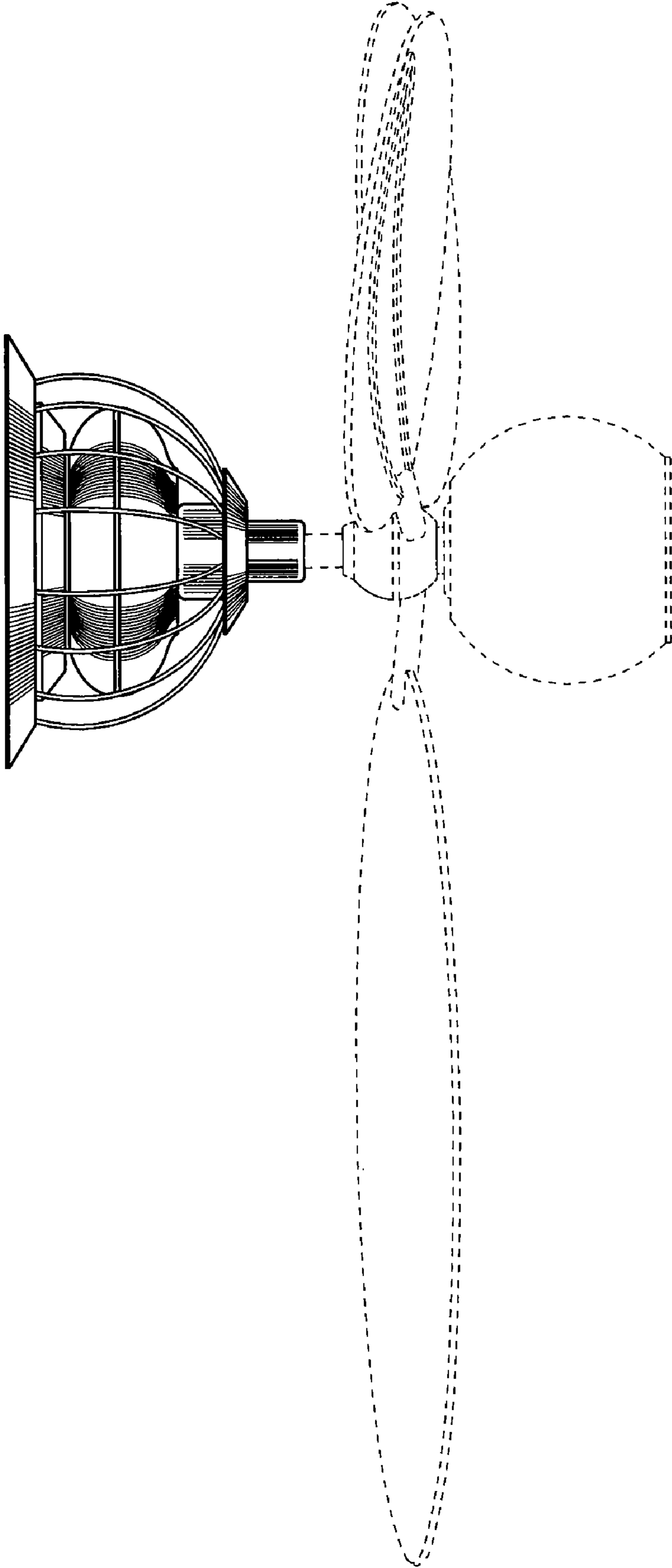


Fig. 4