



US00D549317S

(12) **United States Design Patent**  
**Gajewski**

(10) **Patent No.:** **US D549,317 S**

(45) **Date of Patent:** **\*\* Aug. 21, 2007**

(54) **CEILING FAN COMPONENT**

(75) Inventor: **Mark Gajewski**, Avila Beach, CA (US)

(73) Assignee: **Minka Lighting, Inc.**, Corona, CA (US)

(\*\*) Term: **14 Years**

(21) Appl. No.: **29/249,809**

(22) Filed: **Oct. 23, 2006**

(51) **LOC (8) Cl.** ..... **23-04**

(52) **U.S. Cl.** ..... **D23/411**

(58) **Field of Classification Search** ..... D23/411,  
D23/413, 377, 379, 385; 416/5; D26/59,  
D26/51, 72, 80-86, 73

See application file for complete search history.

(56) **References Cited**

**U.S. PATENT DOCUMENTS**

|              |        |          |       |         |
|--------------|--------|----------|-------|---------|
| D372,774 S * | 8/1996 | Holbrook | ..... | D23/411 |
| D407,155 S * | 3/1999 | Liu      | ..... | D23/411 |
| D426,630 S   | 6/2000 | Gajewski |       |         |
| D426,879 S   | 6/2000 | Gajewski |       |         |
| D520,633 S * | 5/2006 | Tai      | ..... | D23/411 |
| D525,698 S * | 7/2006 | Wang     | ..... | D23/377 |
| D536,086 S * | 1/2007 | Pan      | ..... | D23/411 |

**OTHER PUBLICATIONS**

- U.S. Appl. No. 29/249,817.
- U.S. Appl. No. 29/249,820.
- U.S. Appl. No. 29/249,821.
- U.S. Appl. No. 29/249,822.
- U.S. Appl. No. 29/249,823.
- U.S. Appl. No. 29/249,814.
- U.S. Appl. No. 29/249,812.
- U.S. Appl. No. 29/249,806.
- U.S. Appl. No. 29/249,807.

U.S. Appl. No. 29/249,808.

U.S. Appl. No. 29/249,816.

MinkaAire Internet Catalog; Acero ceiling fan; Model F-601; printed from minkagroup.net.

Songa Internet Catalog; Pupazzo floor lamp; Model # FL0601-38; printed from www.thesogno.com.

Woolen Mill Fan Company Internet Catalog; printed from www.architecturalfans.com.

\* cited by examiner

*Primary Examiner*—Lisa Lichtenstein

(74) *Attorney, Agent, or Firm*—Baker & McKenzie LLP

(57) **CLAIM**

The ornamental design for a ceiling fan component, as shown and described.

**DESCRIPTION**

FIG. 1 is a perspective view from below of a ceiling fan component in accordance with my design;

FIG. 2 is a reduced top plan view of the ceiling fan component in accordance with my design;

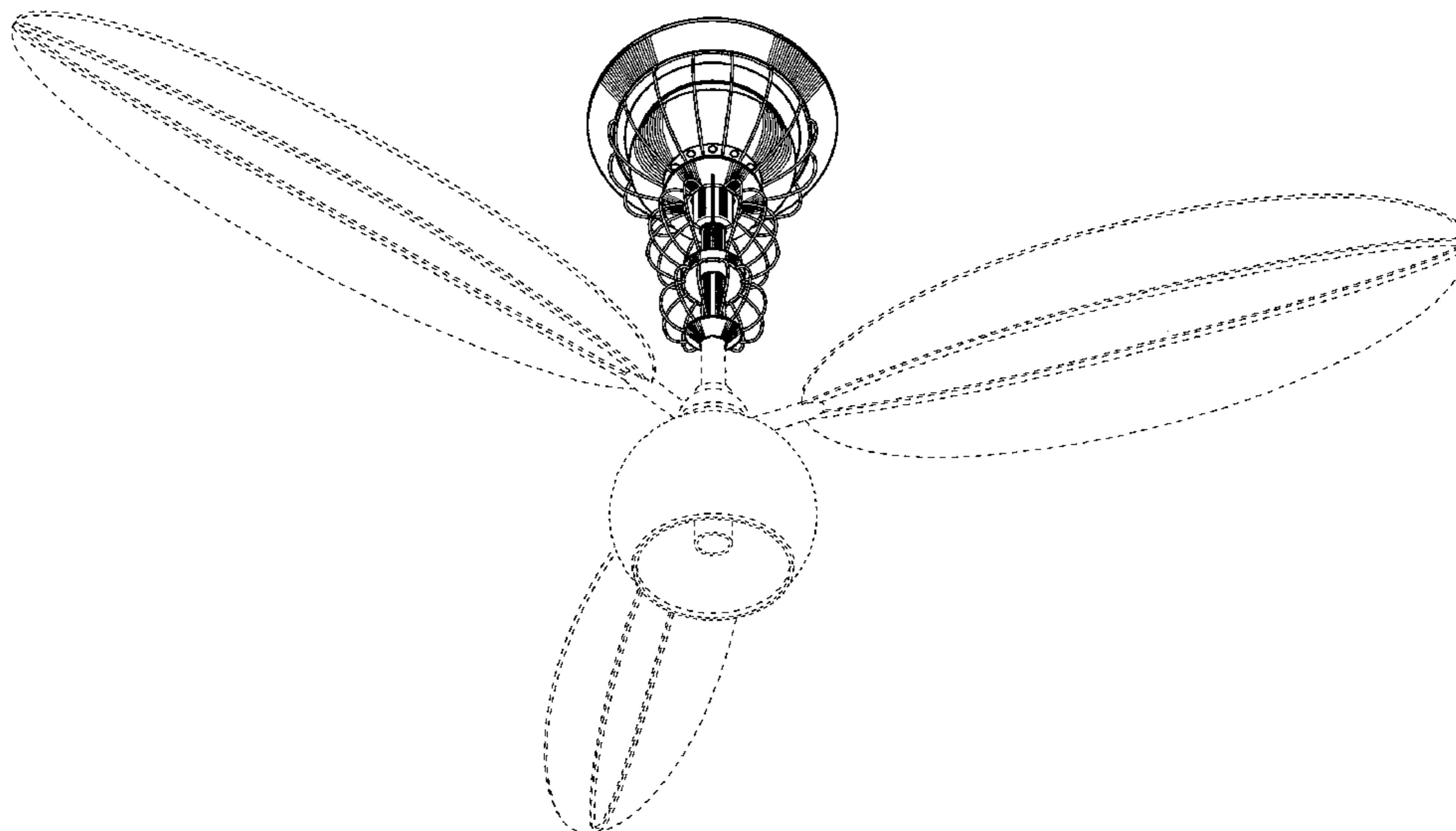
FIG. 3 is a reduced bottom plan view of the ceiling fan component in accordance with my design; and,

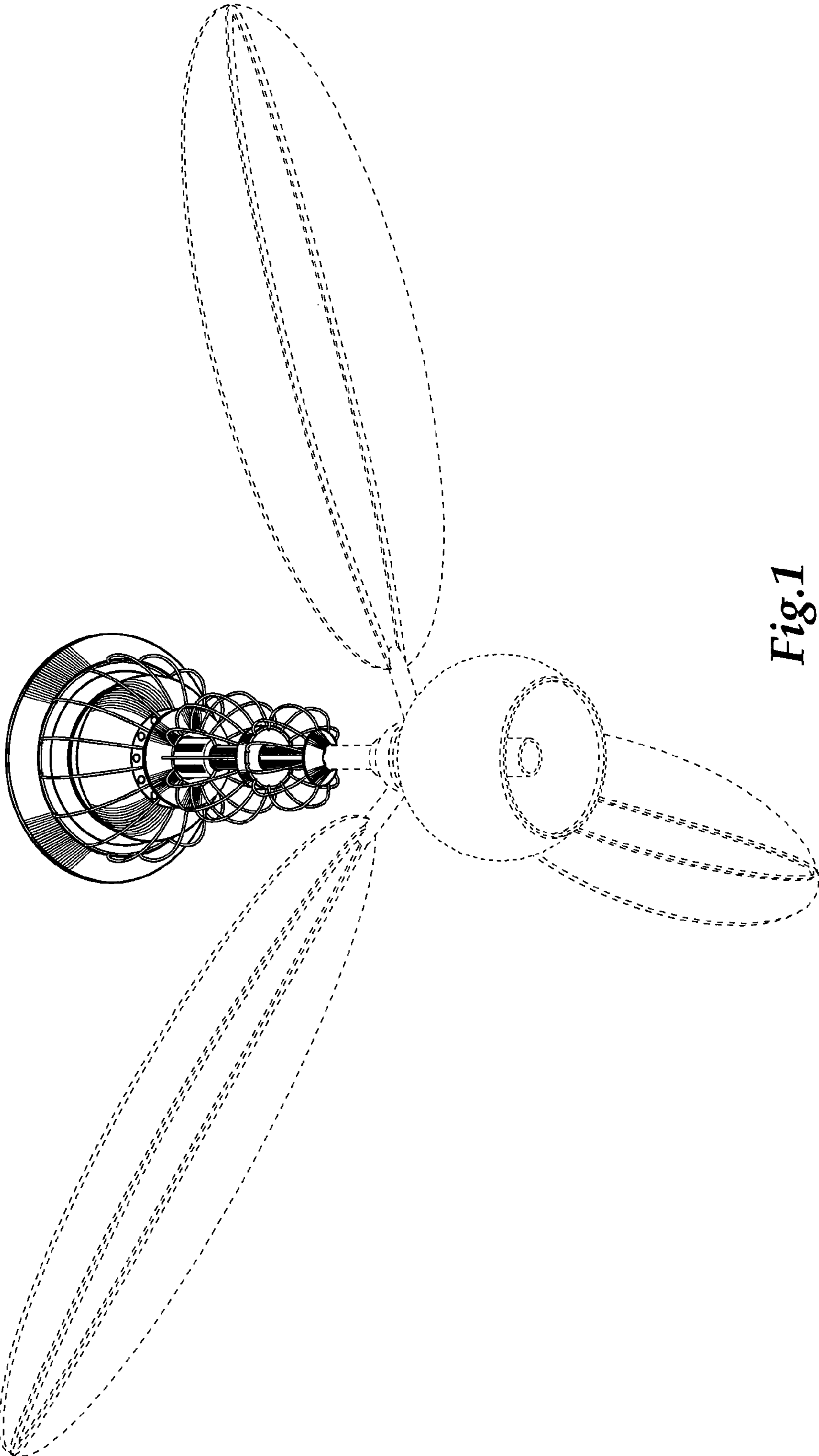
FIG. 4 is a side elevation view of the ceiling fan component in accordance with my design, all side views being mirror images thereof.

The broken lines showing environmental structure are for illustrative purposes and form no part of the claimed design.

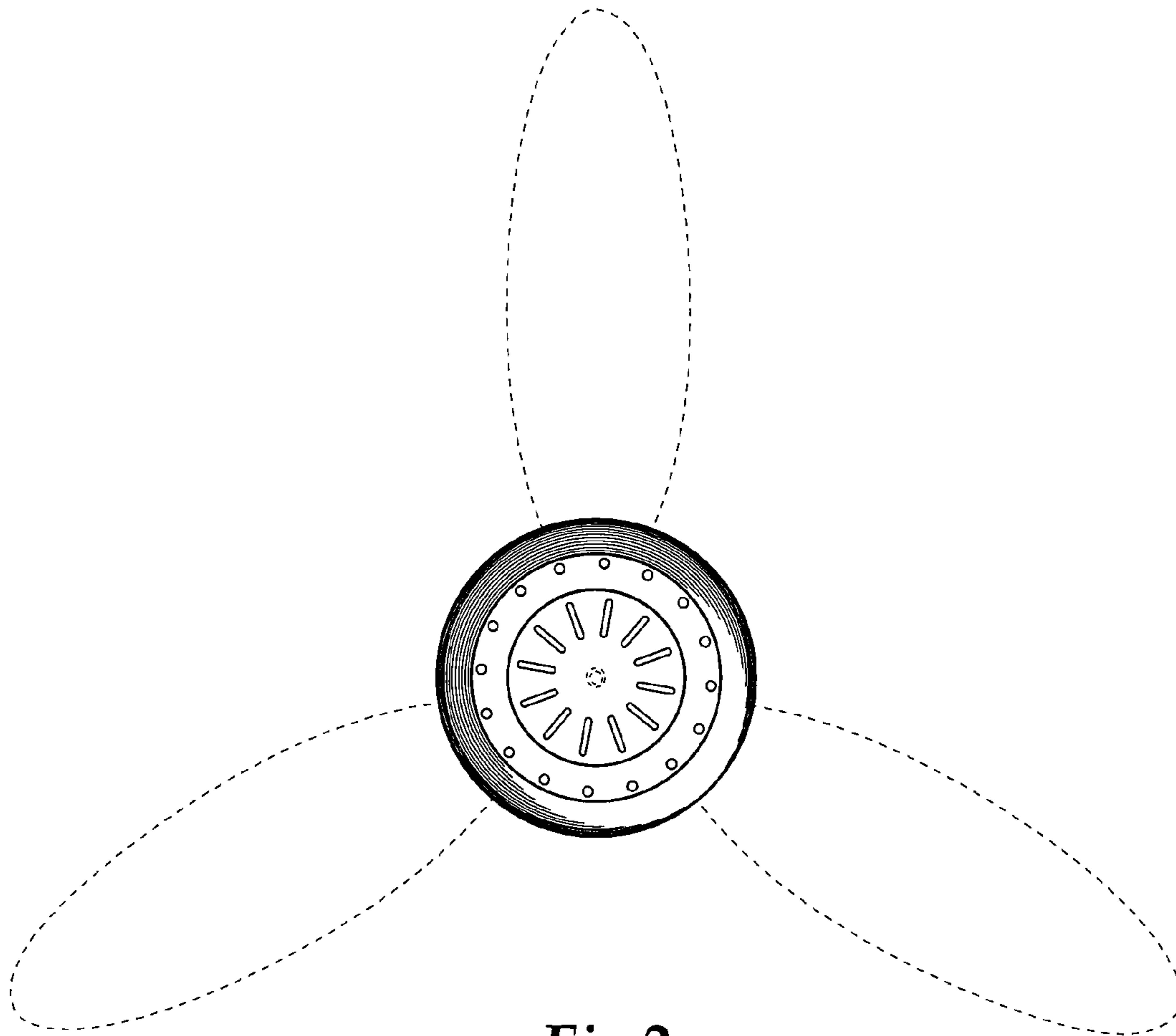
The broken line showing of a light fixture, fan blades, fan blade attachment members and the lower portion of the support pole of a ceiling fan is included for the purpose of illustrating environmental structure and forms no part of the claimed design.

**1 Claim, 4 Drawing Sheets**

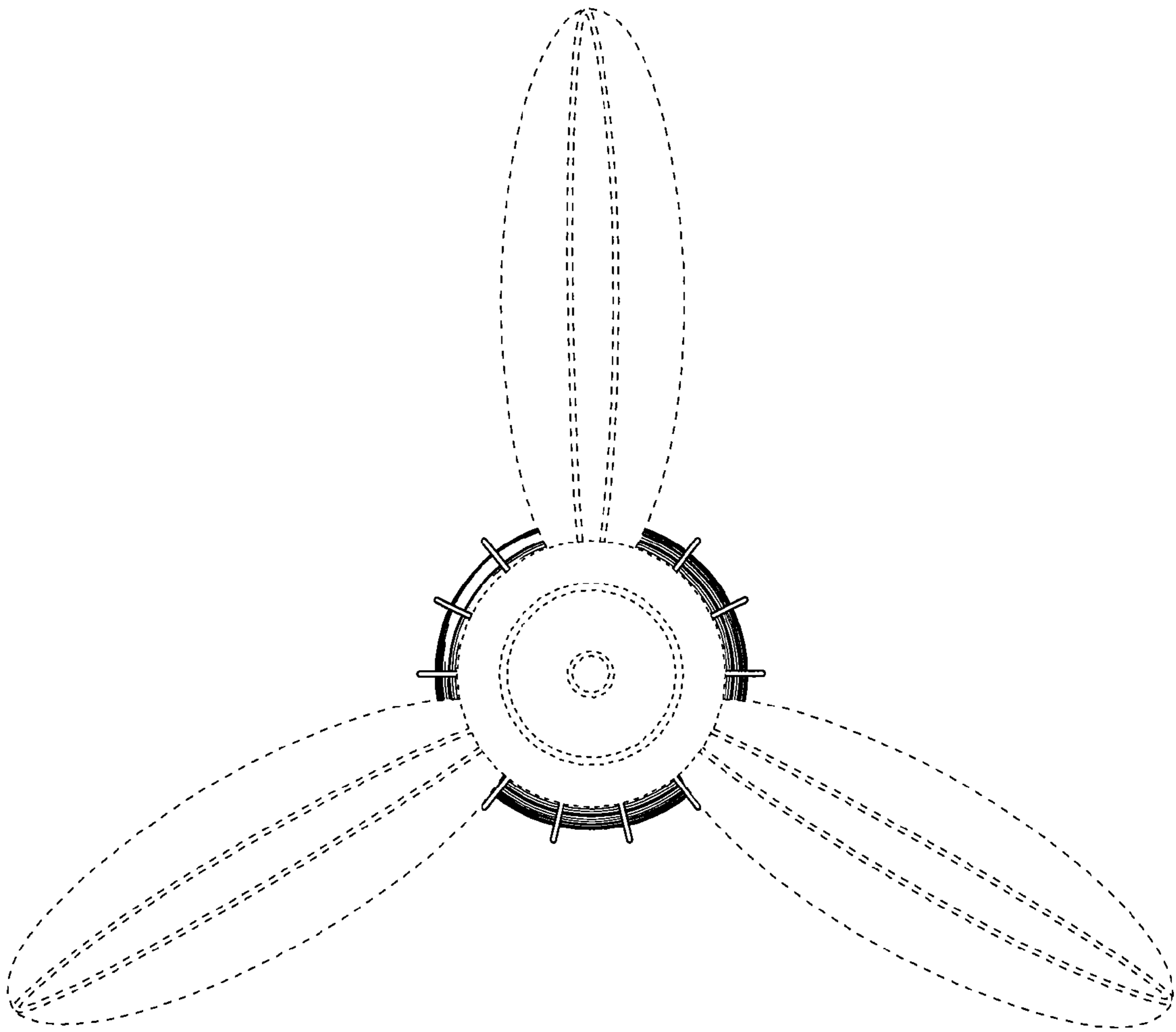




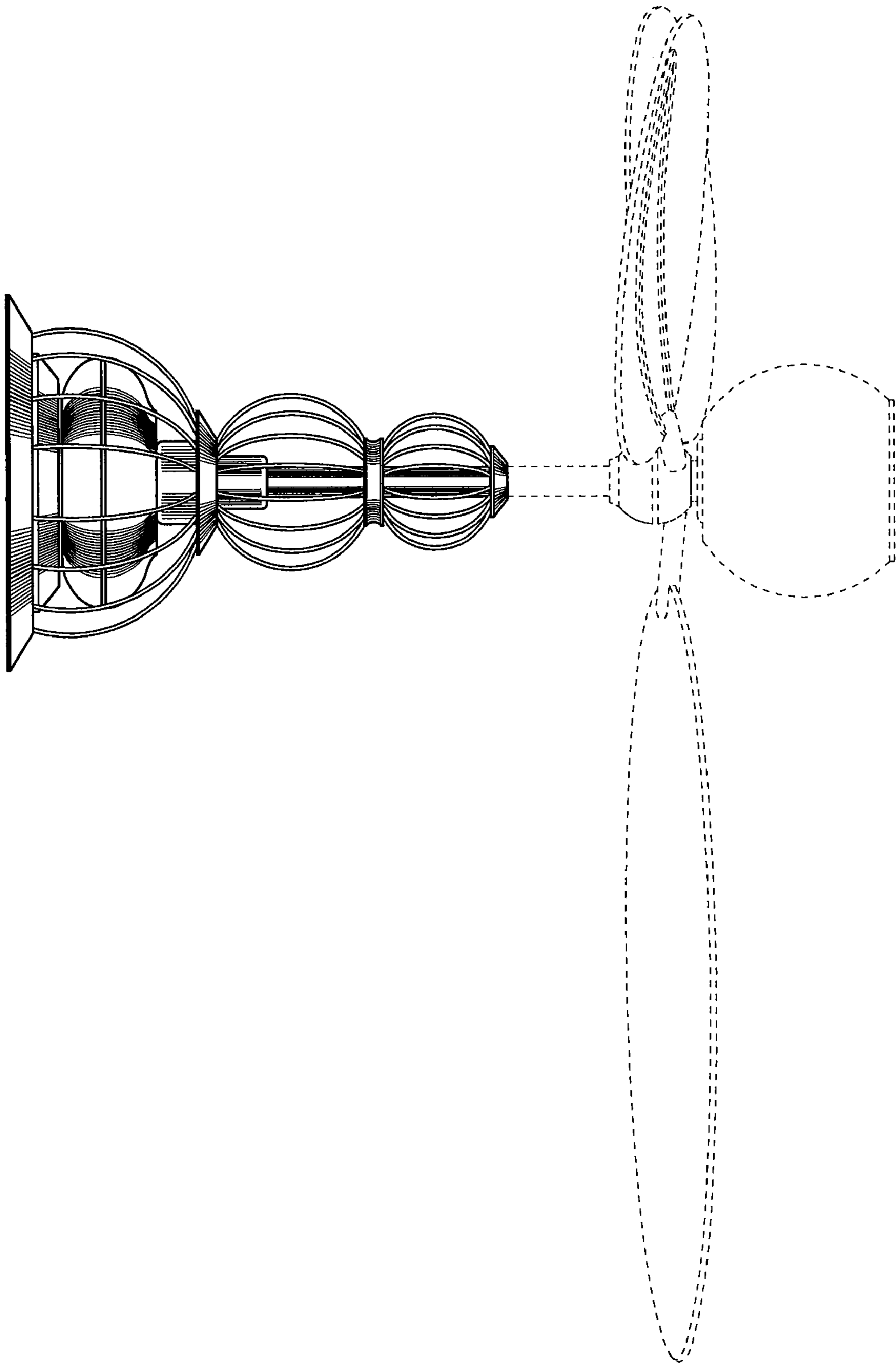
*Fig.1*



*Fig.2*



*Fig.3*



*Fig. 4*

UNITED STATES PATENT AND TRADEMARK OFFICE  
**CERTIFICATE OF CORRECTION**

PATENT NO. : Des. 549,317 S  
APPLICATION NO. : 29/249809  
DATED : August 21, 2007  
INVENTOR(S) : Mark Gajewski

Page 1 of 1

It is certified that error appears in the above-identified patent and that said Letters Patent is hereby corrected as shown below:

Title Page;

On the first page under Description, please delete the following paragraph "The broken lines showing environmental structure are for illustrative purposes and form no part of the claimed design."

Signed and Sealed this

Twenty-fifth Day of December, 2007

A handwritten signature in black ink that reads "Jon W. Dudas". The signature is written in a cursive style with a large, stylized initial "J".

JON W. DUDAS

*Director of the United States Patent and Trademark Office*