

US00D549316S

(12) **United States Design Patent**
O'Hagin et al.

(10) **Patent No.:** **US D549,316 S**

(45) **Date of Patent:** **** Aug. 21, 2007**

(54) **TAPERED COMPOSITION VENT**

(76) Inventors: **Harry T. O'Hagin**, 119/15 Moo 3
Bann KHO, Panakorn Sri, Ayutthaya
(TH) 13000; **Carolina O'Hagin**, 1349
Cunningham Rd., Sebastopol, CA (US)
95472

(**) Term: **14 Years**

(21) Appl. No.: **29/195,520**

(22) Filed: **Dec. 11, 2003**

(51) **LOC (8) Cl.** **23-04**

(52) **U.S. Cl.** **D23/393**

(58) **Field of Classification Search** D23/393,
D23/385, 373; 34/140, 233; D25/199; D13/156;
474/366; 454/242

See application file for complete search history.

(56) **References Cited**

U.S. PATENT DOCUMENTS

D296,584 S *	7/1988	Hilton	D23/370
D321,557 S *	11/1991	Bezick et al.	D23/393
D332,139 S *	12/1992	Courchesne	D23/385
D390,948 S *	2/1998	Meyer	D23/393
D397,431 S *	8/1998	Meyer	D23/393
6,129,628 A *	10/2000	O'Hagin et al.	454/366
D433,496 S *	11/2000	Hadley	D23/373

D442,273 S *	5/2001	Pestell	D23/393
D457,234 S *	5/2002	O'Hagin et al.	D23/393
6,447,390 B1	9/2002	O'Hagin		
6,491,579 B1 *	12/2002	O'Hagin	454/366
D503,156 S *	3/2005	Provenzano	D13/156
D505,195 S *	5/2005	Snyder	D23/393

* cited by examiner

Primary Examiner—Louis Zarfaz

Assistant Examiner—David Muller

(74) *Attorney, Agent, or Firm*—Knobbe Martens Olson & Bear LLP

(57) **CLAIM**

The ornamental design for a tapered composition vent, as shown and described.

DESCRIPTION

FIG. 1 is a top perspective view of a tapered composition vent showing my new design;

FIG. 2 is a top plan view thereof;

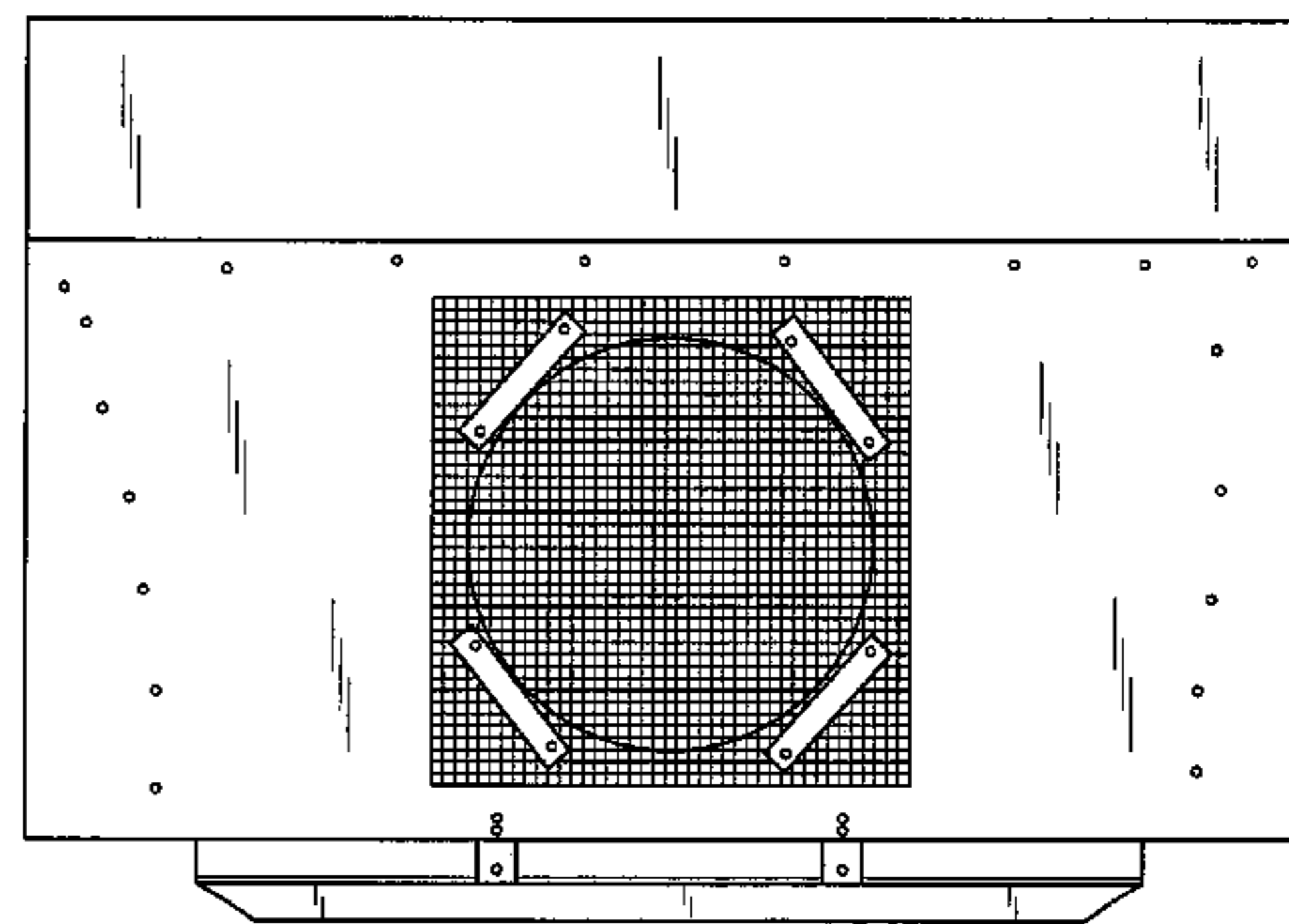
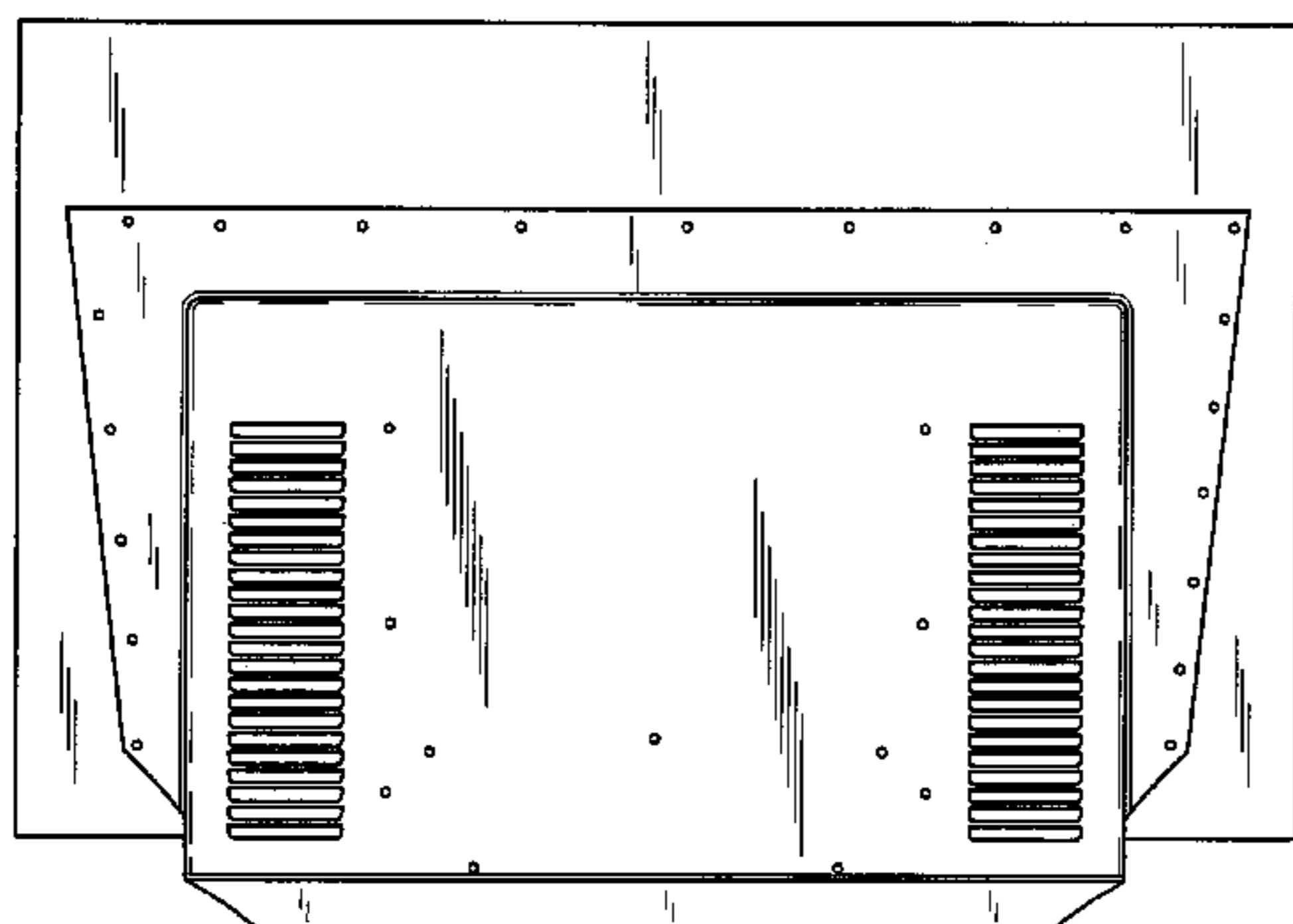
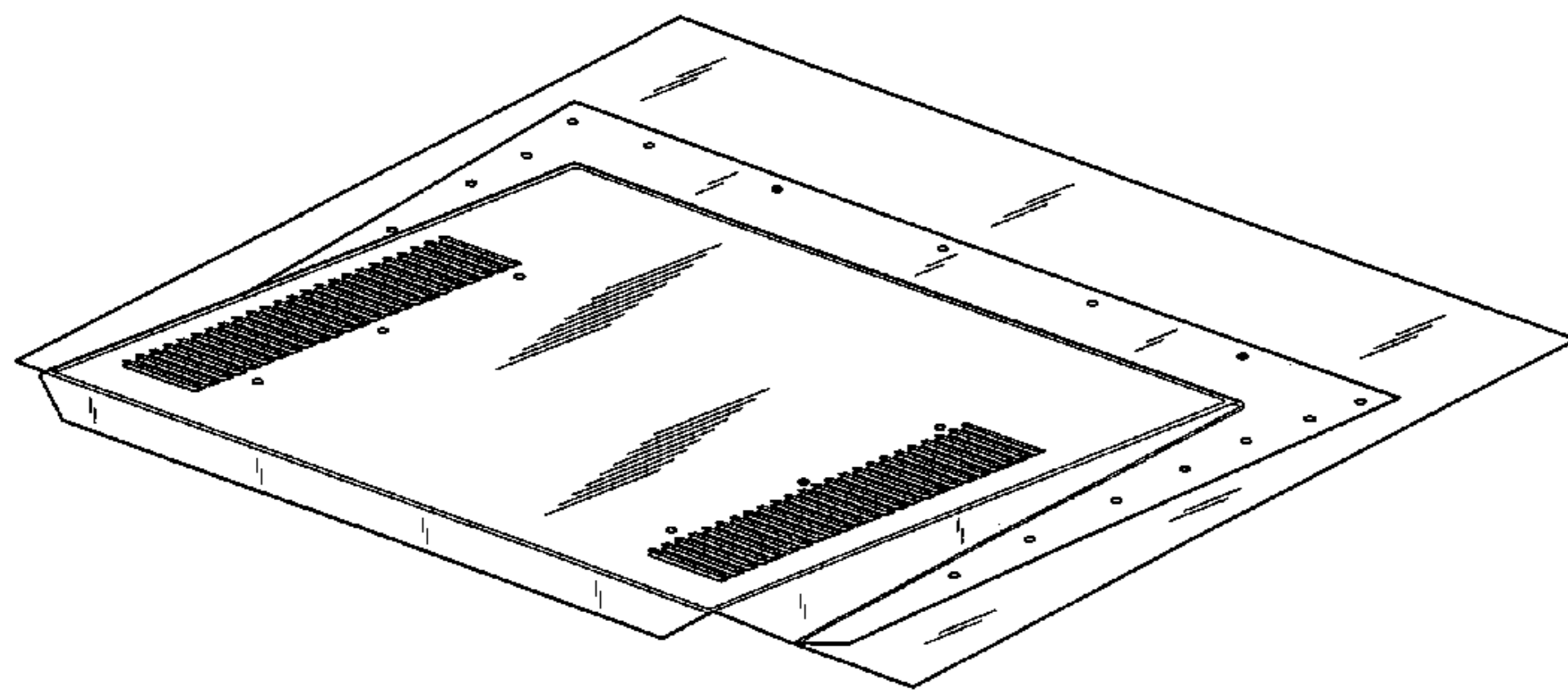
FIG. 3 is a bottom plan view thereof;

FIG. 4 is a front elevational view thereof;

FIG. 5 is a rear elevational view thereof; and,

FIG. 6 is a right side elevational view thereof: the left side being a mirror image.

1 Claim, 5 Drawing Sheets



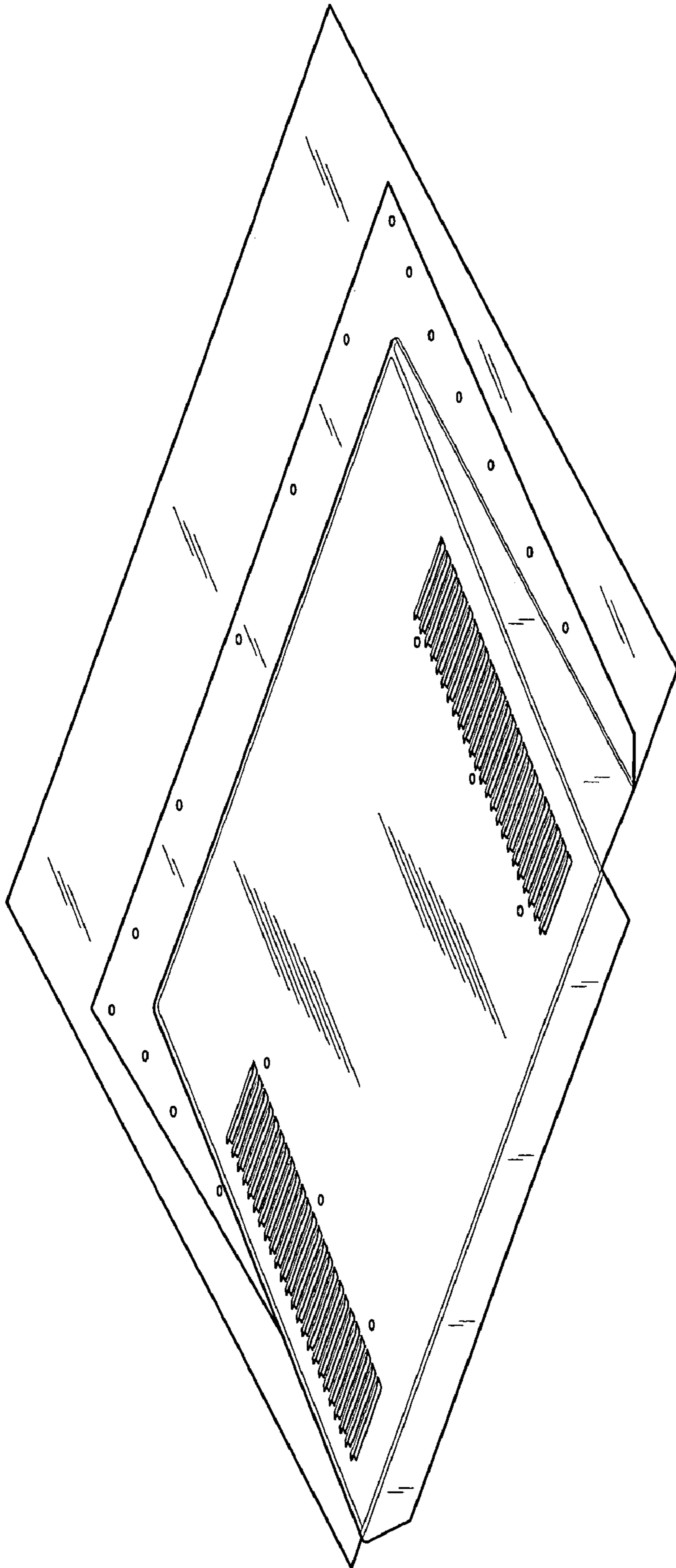


FIG. 1

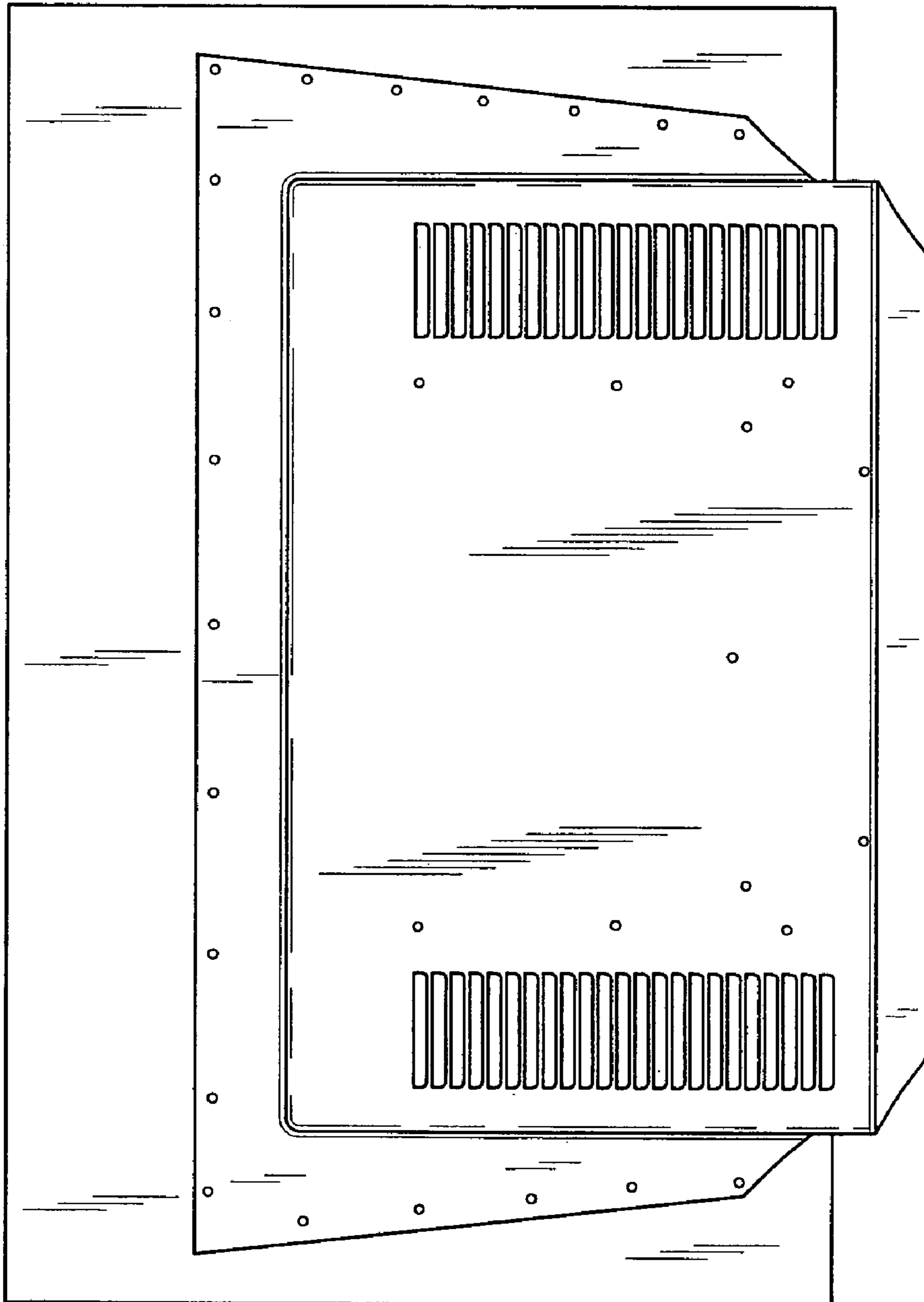


FIG. 2

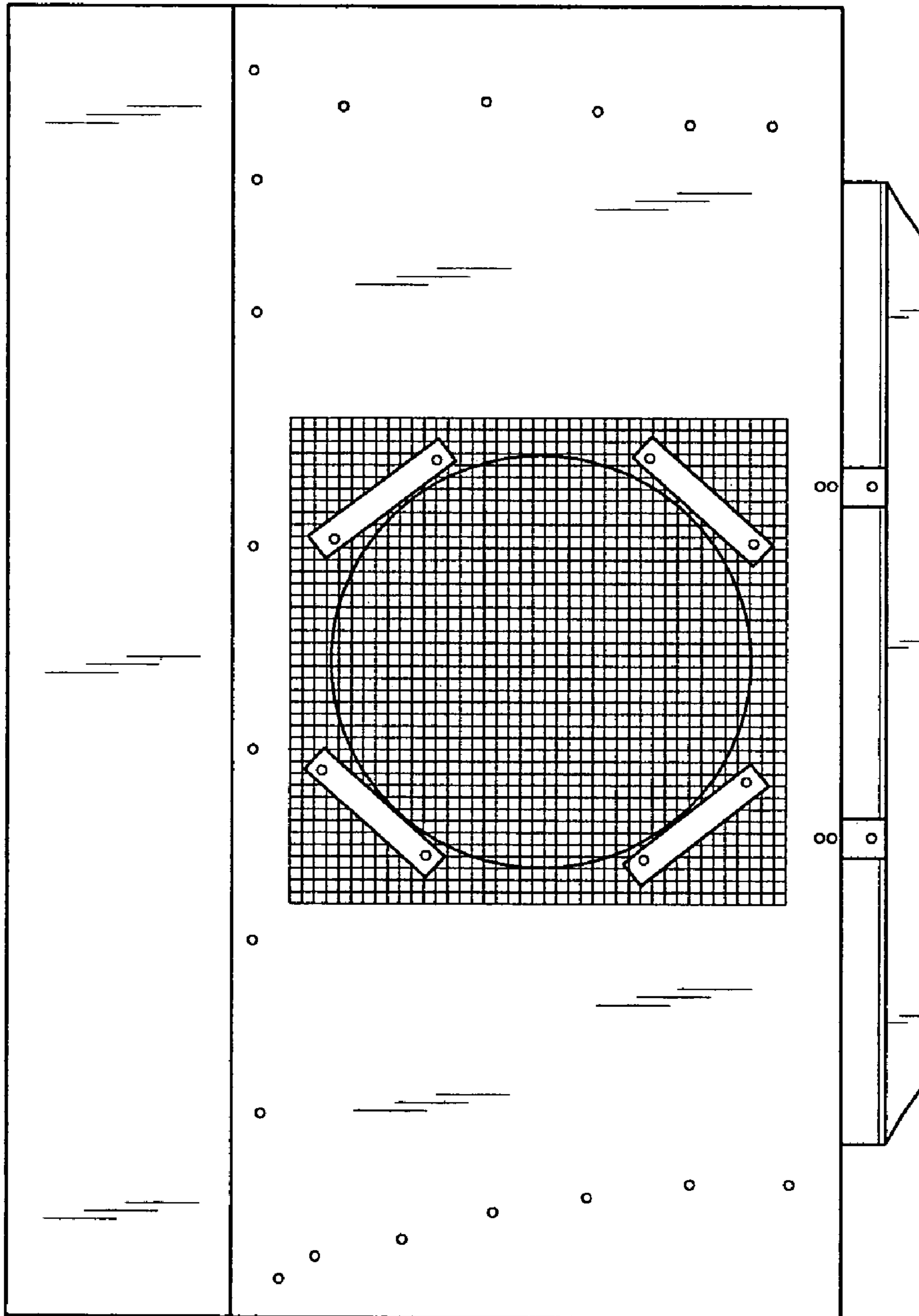


FIG. 3

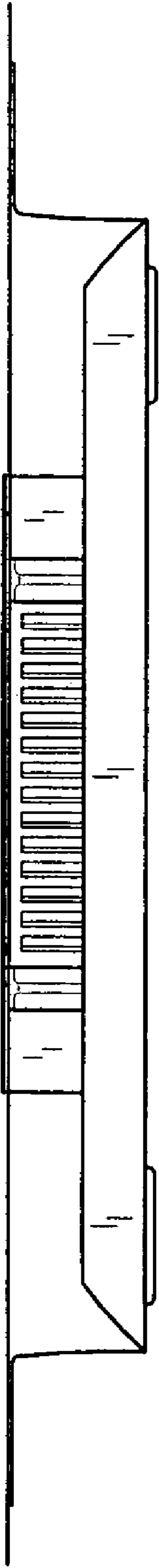


FIG. 4

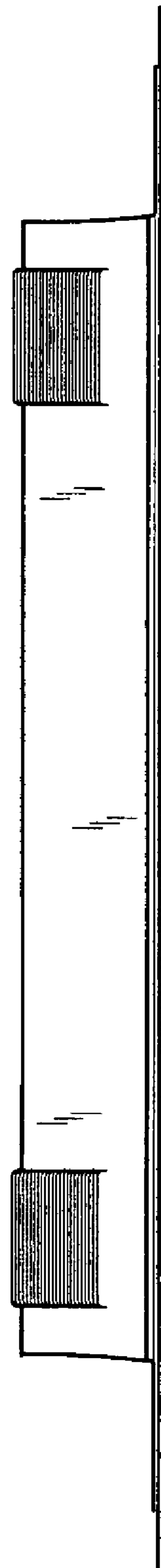


FIG. 5



FIG. 6