

US00D549313S

(12) **United States Design Patent**  
**Kelnhofer**

(10) **Patent No.:** **US D549,313 S**

(45) **Date of Patent:** **\*\* Aug. 21, 2007**

(54) **HERBAL VAPORIZER**

(76) **Inventor:** **Steve Kelnhofer**, 3615 Fairmont Pl.,  
Colorado Springs, CO (US) 80910

(\*\*) **Term:** **14 Years**

(21) **Appl. No.:** **29/260,065**

(22) **Filed:** **May 19, 2006**

(51) **LOC (8) Cl.** ..... **23-04**

(52) **U.S. Cl.** ..... **D23/360**

(58) **Field of Classification Search** ..... D23/360,  
D23/355, 356, 359, 364, 362, 352, 366, 369,  
D23/332, 333, 335, 336, 342; 422/120, 122,  
422/125; 55/356, 473, 504; 210/497.1;  
96/97; D14/188, 170, 172; D24/110, 203;  
4/524; 128/200.16, 200.24, 200.21, 200.17,  
128/200.14, 200.23, 203.25, 204.18; 392/386,  
392/391, 394, 395, 397, 398; D28/99, 99.1,  
D28/38, 9; 239/34, 53-55, 60; 261/DIG. 65;  
D27/162, 163; D34/7

See application file for complete search history.

(56) **References Cited**

**U.S. PATENT DOCUMENTS**

3,812,853	A *	5/1974	Crain	128/200.17
3,949,743	A *	4/1976	Shanbrom	128/200.14
D258,012	S *	1/1981	Murphy	D27/162
D258,535	S *	3/1981	Reichl	D24/110
D267,898	S *	2/1983	Burian et al.	D23/362
D279,312	S *	6/1985	Pohlmann	D24/110
4,576,157	A *	3/1986	Raghuprasad	128/200.23
D301,773	S *	6/1989	Murakami et al.	D28/91.1
D305,944	S *	2/1990	Mellott	D28/38
D308,117	S *	5/1990	Badgett	D28/9

D380,257	S *	6/1997	Ganor	D23/366
D412,569	S *	8/1999	Muller	D23/366
6,101,317	A *	8/2000	Stern	392/394
D441,160	S *	4/2001	Lin	D34/7
D451,183	S *	11/2001	Hirano et al.	D23/366
D455,486	S *	4/2002	Makino	D23/366
6,708,690	B1 *	3/2004	Hete et al.	128/204.18
D507,636	S *	7/2005	Baraky et al.	D34/366
D509,898	S *	9/2005	Bunce et al.	D24/110
D510,990	S *	10/2005	Farchione	D23/366
2003/0217750	A1 *	11/2003	Amirpour et al.	128/203.25

\* cited by examiner

*Primary Examiner*—Louis Zarfaz

*Assistant Examiner*—David G. Muller

(74) *Attorney, Agent, or Firm*—Mark G. Pannell; Hanes & Schutz, LLC

(57) **CLAIM**

The ornamental design for an herbal vaporizer, as shown and described.

**DESCRIPTION**

FIG. 1 is an exploded perspective view of the herbal vaporizer of the present invention.

FIG. 2 is a left side view of the herbal vaporizer. The right side is identical.

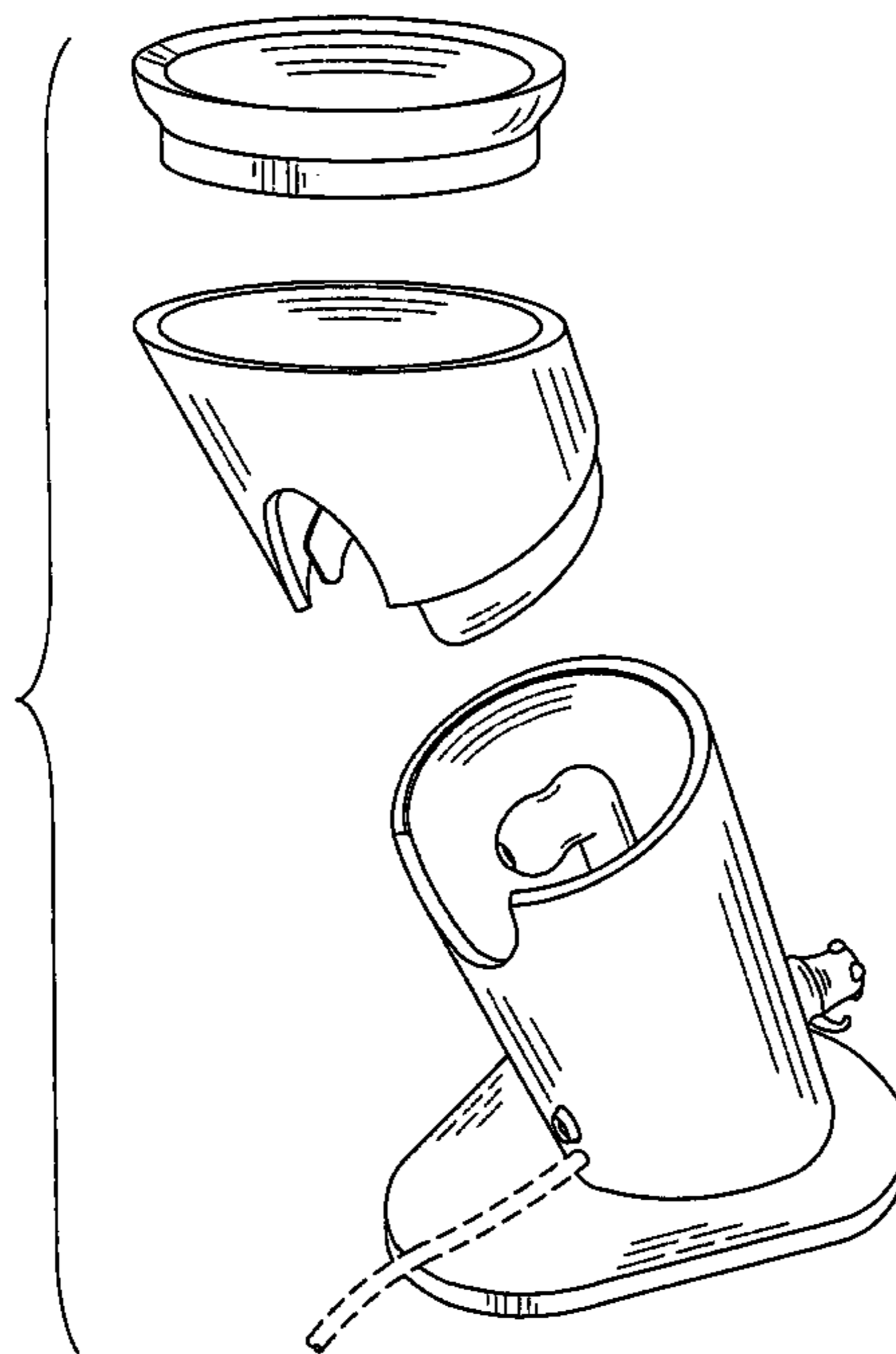
FIG. 3 is a rear view of the herbal vaporizer.

FIG. 4 is a front view of the herbal vaporizer; and,

FIG. 5 is a bottom view of the herbal vaporizer.

The broken line showing of the electrical cord is included for the purpose of illustrating use and environment and forms no part of the claimed design.

**1 Claim, 2 Drawing Sheets**



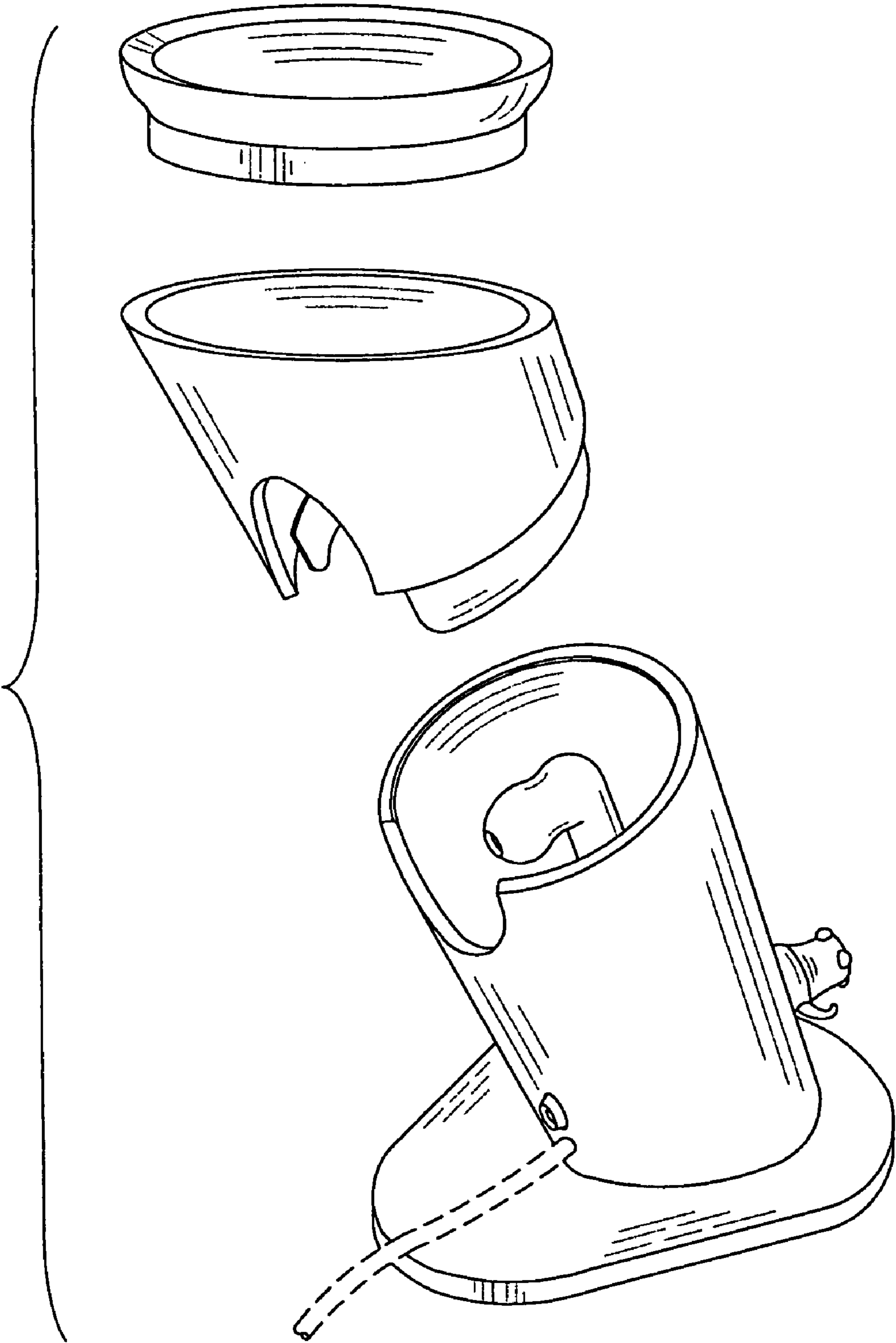


Fig. 1

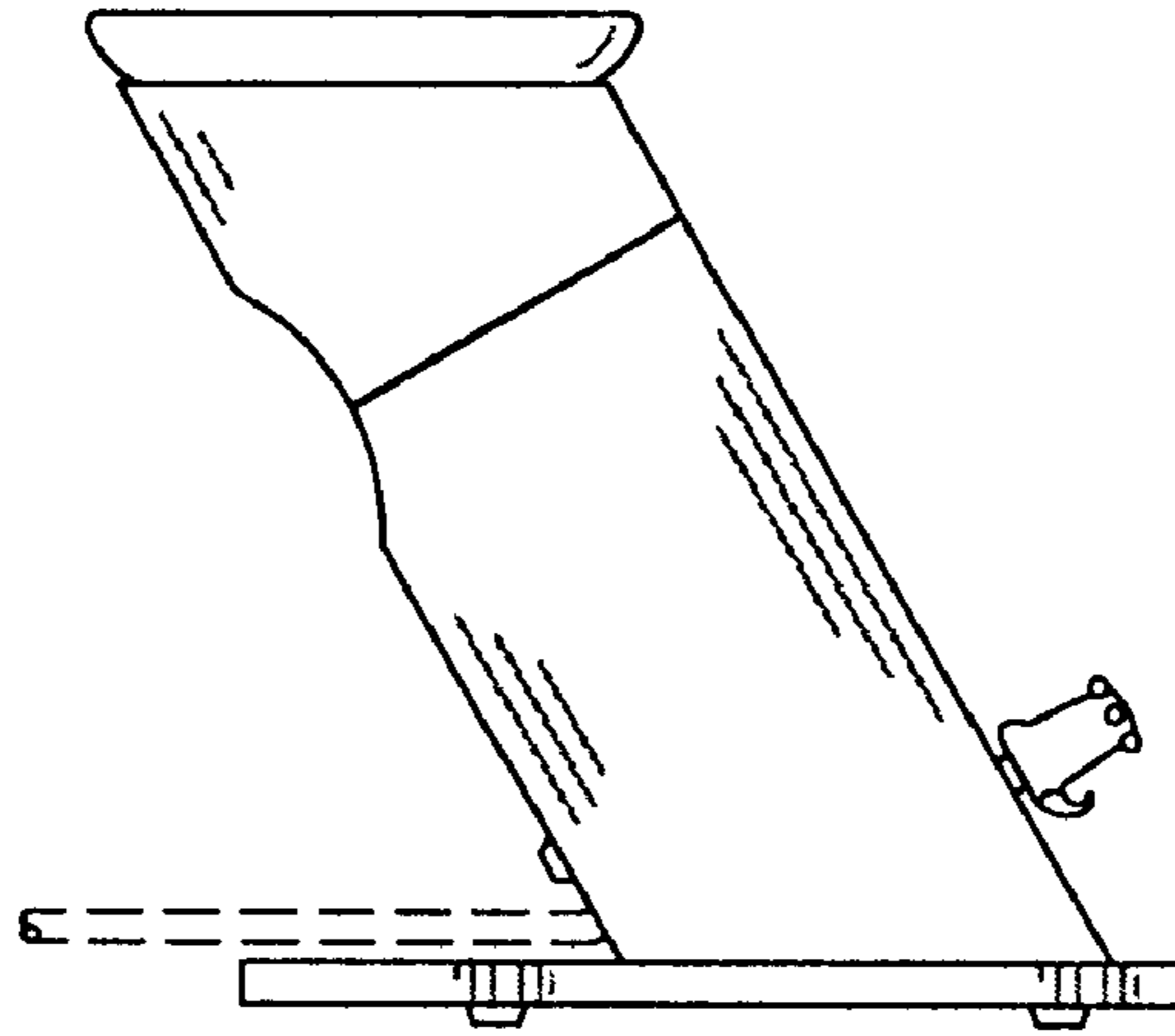


Fig. 2

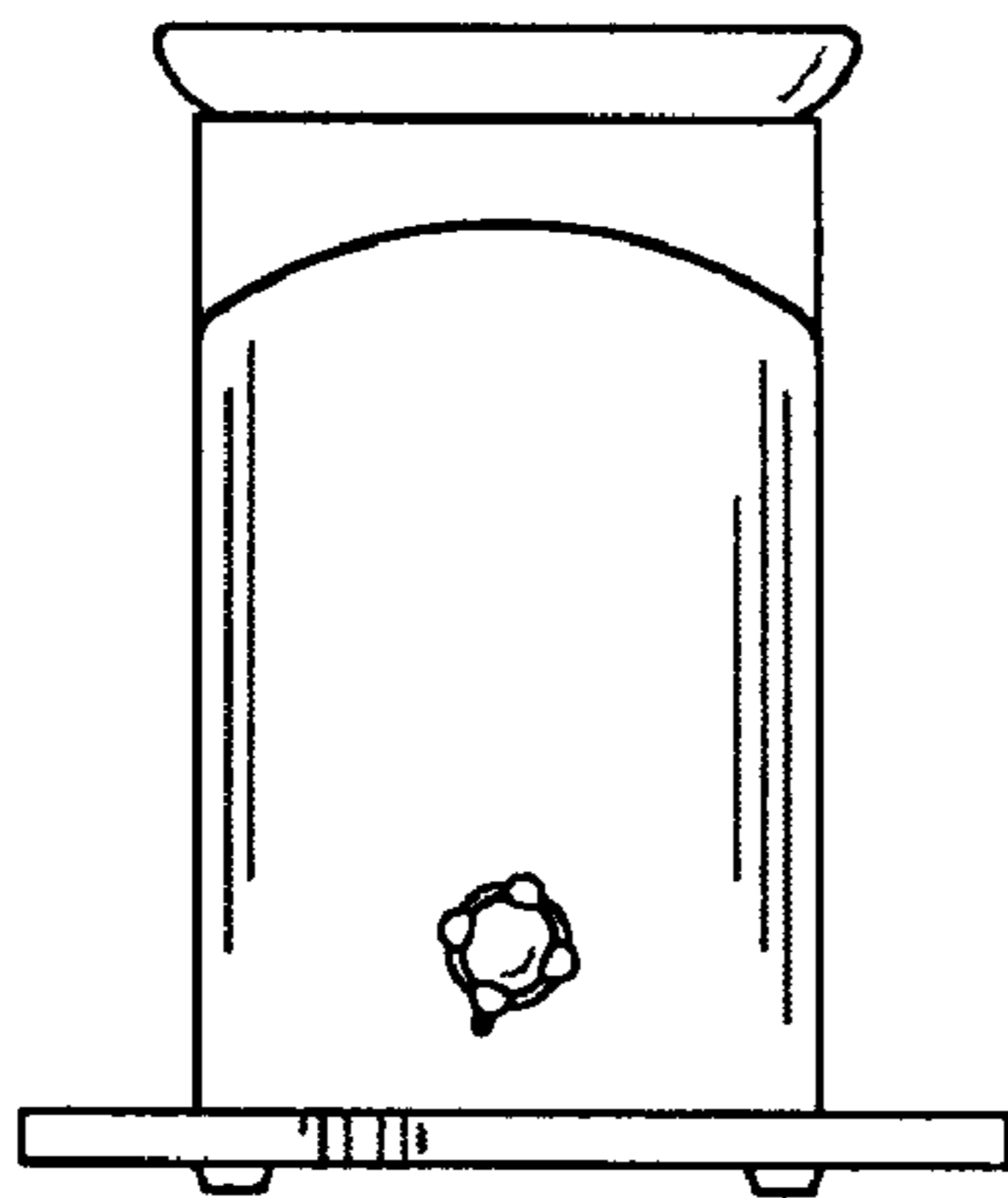


Fig. 3

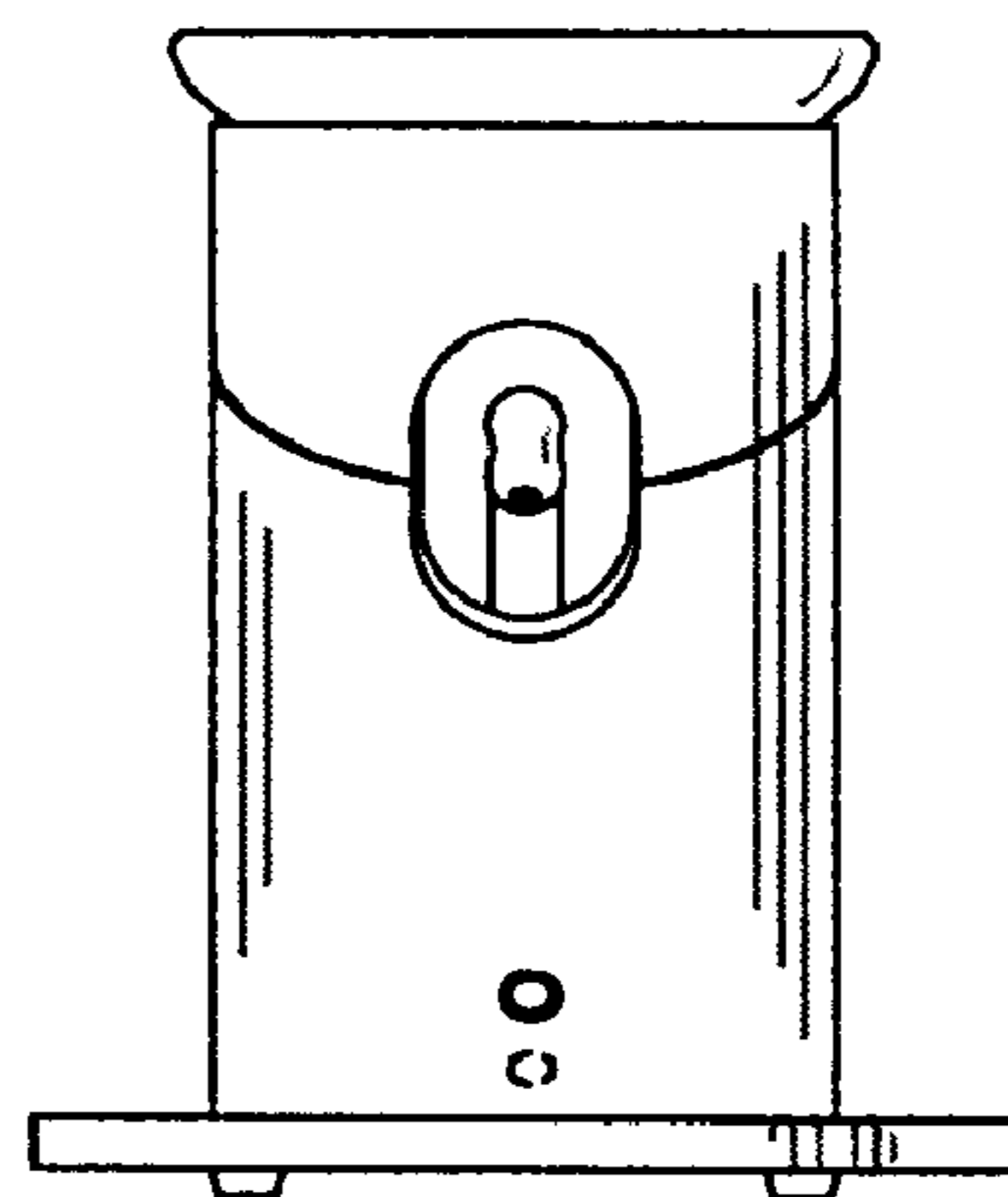


Fig. 4

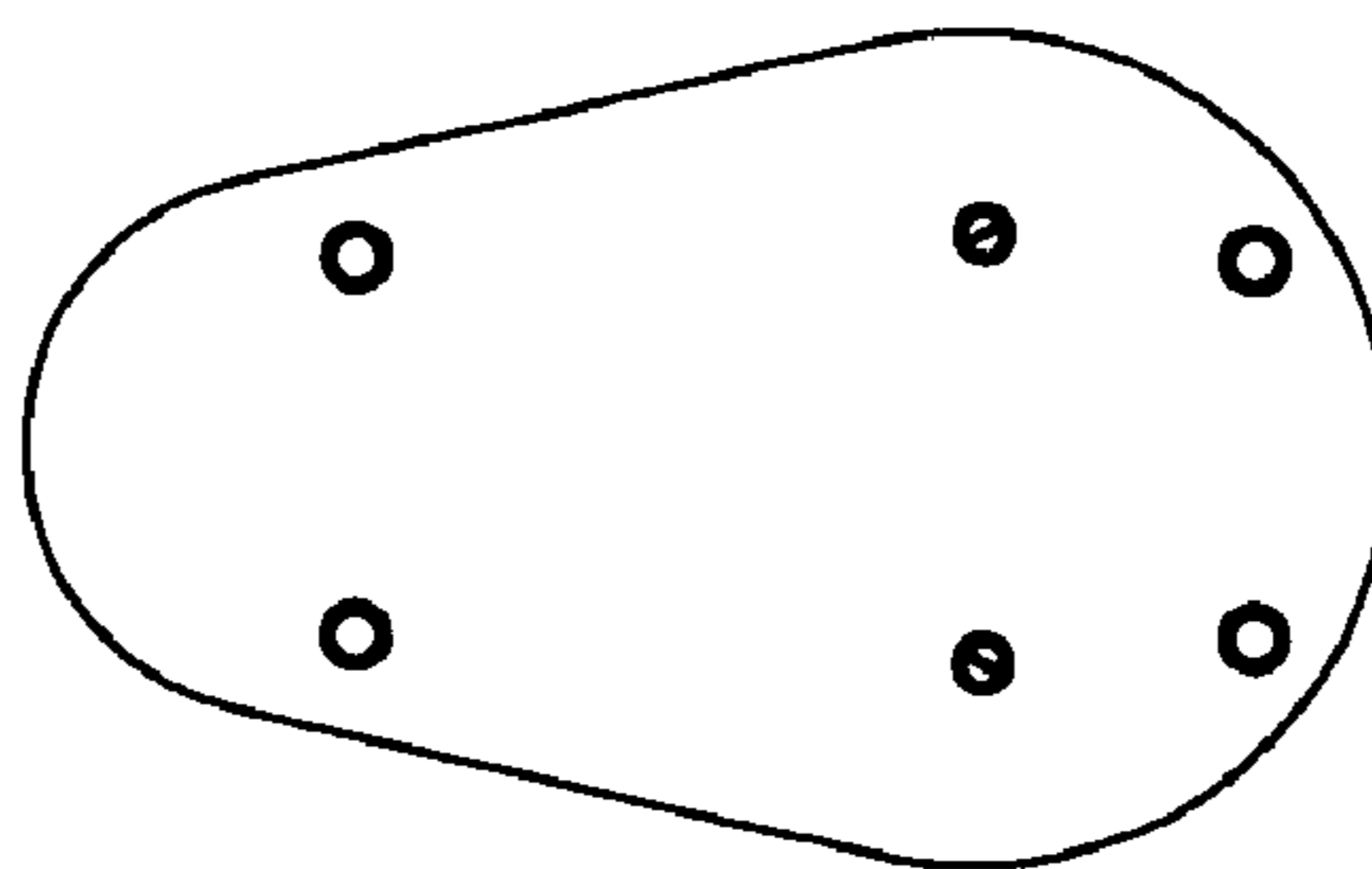


Fig. 5