



US00D549312S

(12) **United States Design Patent** (10) **Patent No.:** **US D549,312 S**
Caserta et al. (45) **Date of Patent:** **** Aug. 21, 2007**

(54) **HANGING VAPORIZER WITH STAR DESIGN**

(75) Inventors: **Andrea Caserta**, Barcelona (ES);
Ruben Garcia Fábrega, Barcelona
(ES); **David Moreno Pérez**, Barcelona
(ES)

(73) Assignee: **Zobeles Espana S.A.** (ES)

(**) Term: **14 Years**

(21) Appl. No.: **29/248,664**

(22) Filed: **Aug. 28, 2006**

(51) **LOC (8) Cl.** **23-04**

(52) **U.S. Cl.** **D23/360**

(58) **Field of Classification Search** D23/360,
D23/355, 356, 359, 364, 366, 336, 369, 332,
D23/333, 335, 324, 342, 367, 368; 392/341,
392/342, 386, 390, 392-394, 401-406; 239/34,
239/35, 53-60, 135-136, 326, 327, 338,
239/44; 261/DIG. 17, DIG. 42, DIG. 65,
261/DIG. 88, DIG. 89; D8/373; D26/26;
D6/323

See application file for complete search history.

(56) **References Cited**

U.S. PATENT DOCUMENTS

3,613,994	A	*	10/1971	Goodman	239/44
D290,291	S	*	6/1987	Thompson	D23/368
D373,303	S	*	9/1996	Bailey	D8/373
D384,408	S	*	9/1997	Foreman	D23/368
D395,529	S	*	6/1998	Yuen	D26/26

D437,923	S	*	2/2001	Weick	D23/367
D439,321	S	*	3/2001	Matthew et al.	D23/366
D485,607	S	*	1/2004	Wu	D23/366
D487,308	S	*	3/2004	Engerant	D23/366
D490,886	S	*	6/2004	Engerant	D23/366
D493,878	S	*	8/2004	Morillas	D23/366
D515,191	S	*	2/2006	Bunch et al.	D23/366
D534,361	S	*	1/2007	Wolf	D6/323

* cited by examiner

Primary Examiner—Louis Zarfes

Assistant Examiner—David G. Muller

(74) *Attorney, Agent, or Firm*—Ostrolenk, Faber, Gerb & Soffen, LLP

(57) **CLAIM**

The ornamental design for a hanging vaporizer with star design, as shown.

DESCRIPTION

FIG. 1 is a front perspective view of a hanging vaporizer with star design showing our new design;

FIG. 2 is a front view thereof;

FIG. 3 is a left side view thereof;

FIG. 4 is a top view thereof;

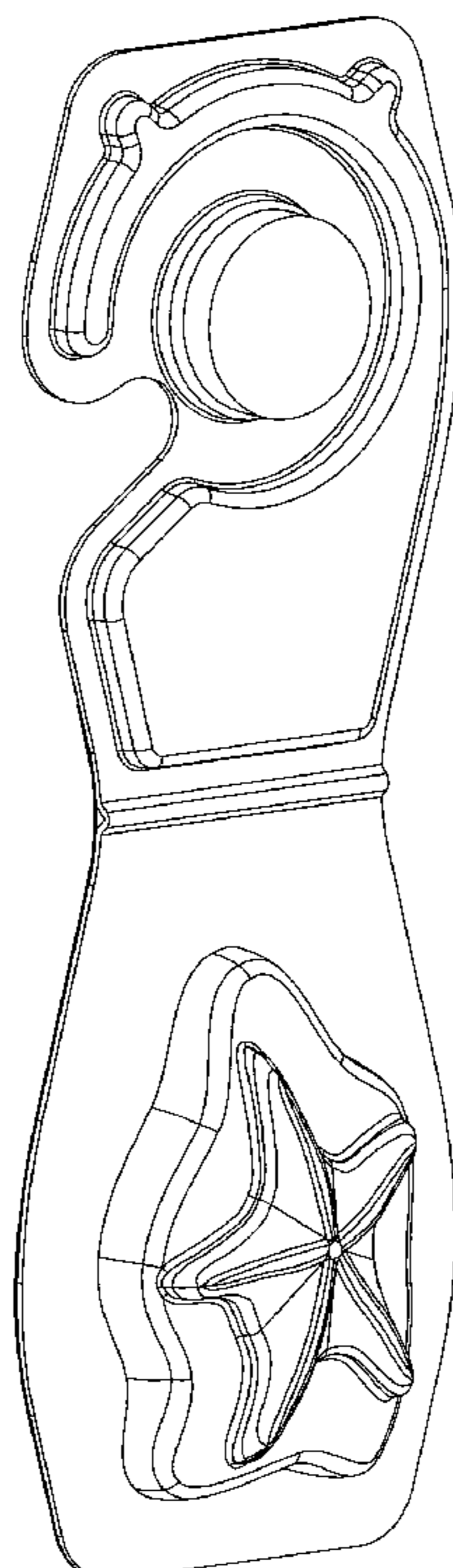
FIG. 5 is a rear view thereof;

FIG. 6 is a right side view thereof;

FIG. 7 is a bottom view thereof; and,

FIG. 8 is a rear perspective view thereof.

1 Claim, 8 Drawing Sheets



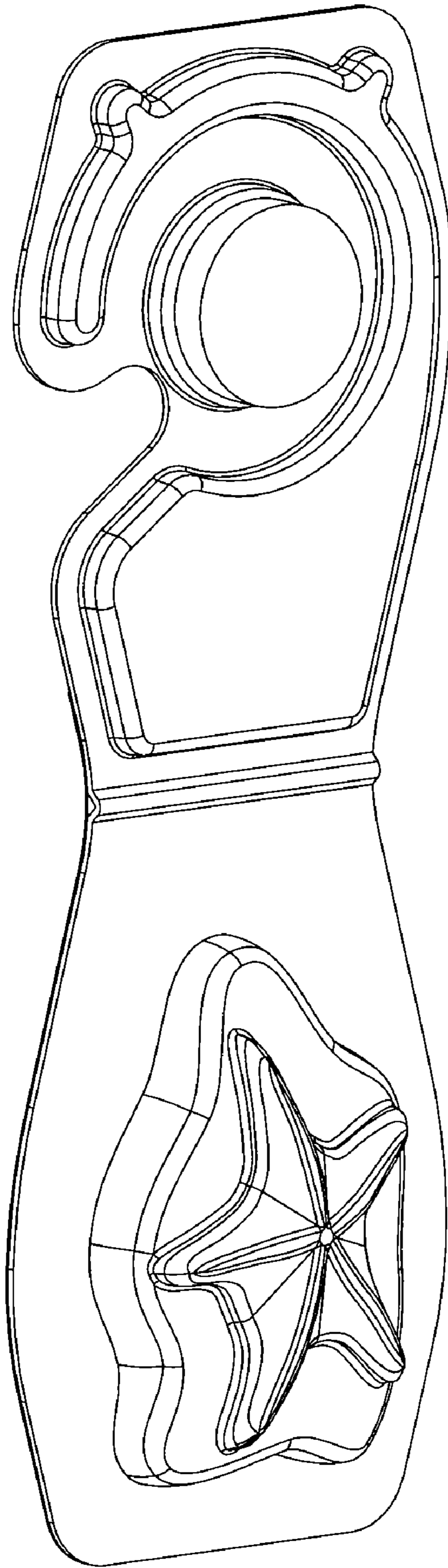


FIG. 1

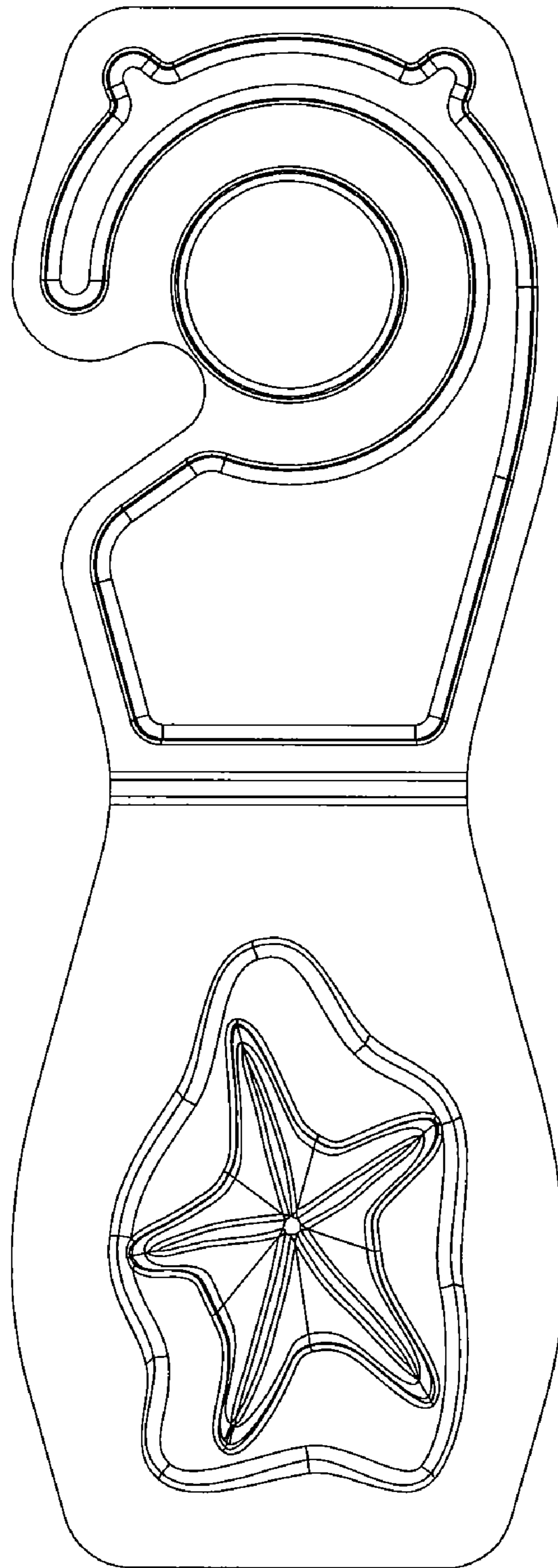


FIG. 2

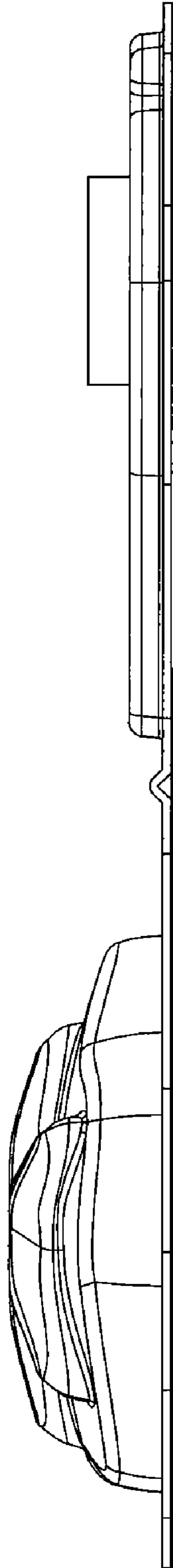


FIG. 3

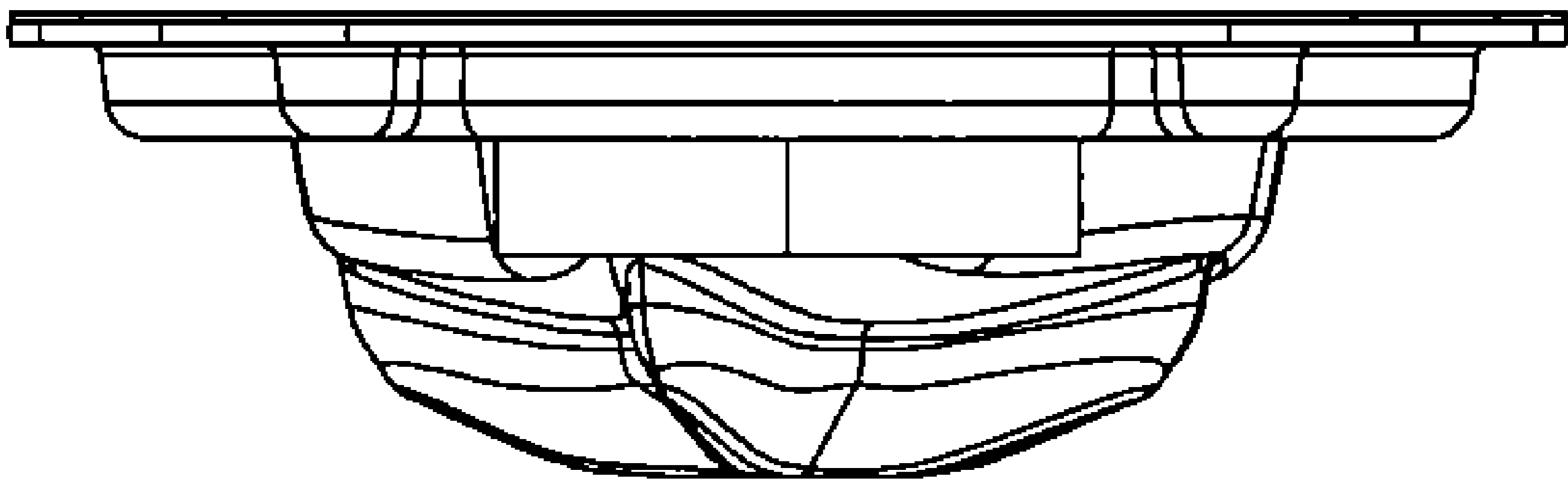


FIG. 4

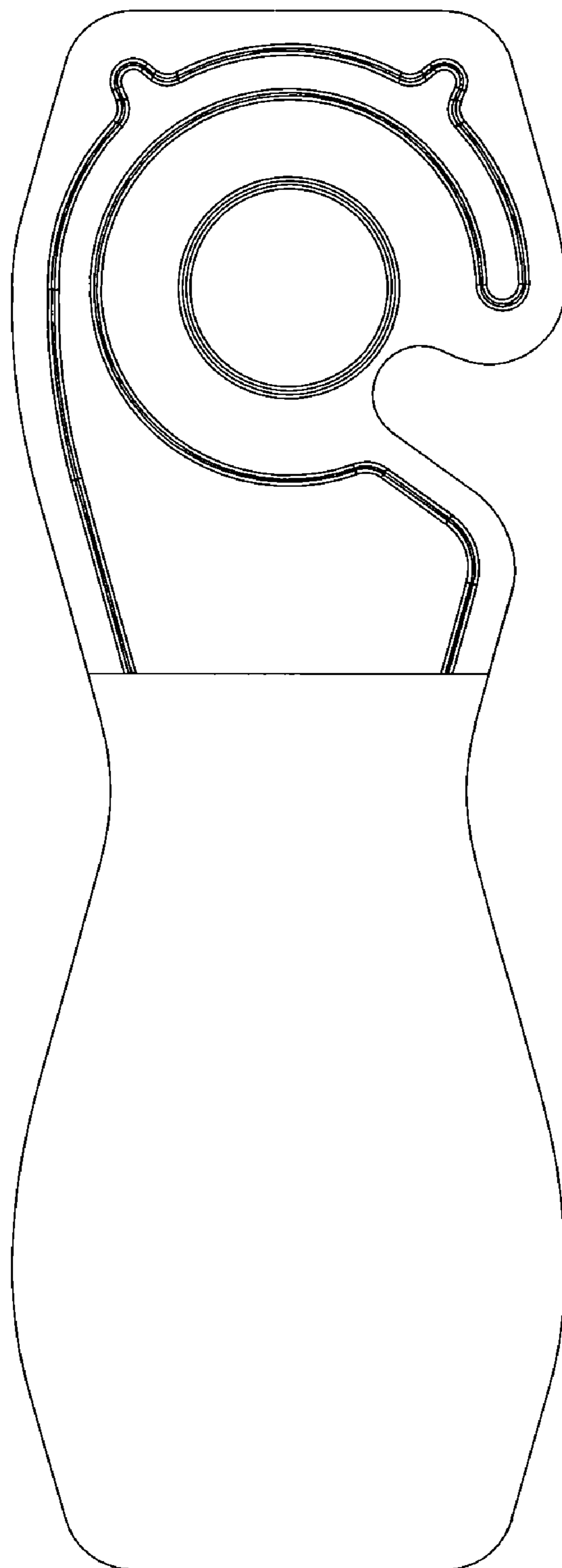


FIG. 5

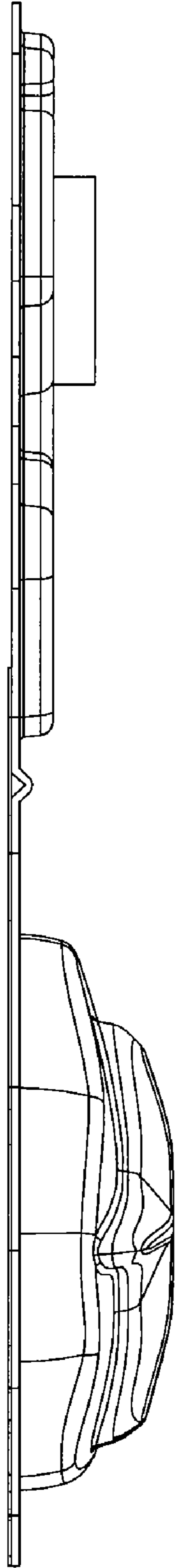


FIG. 6

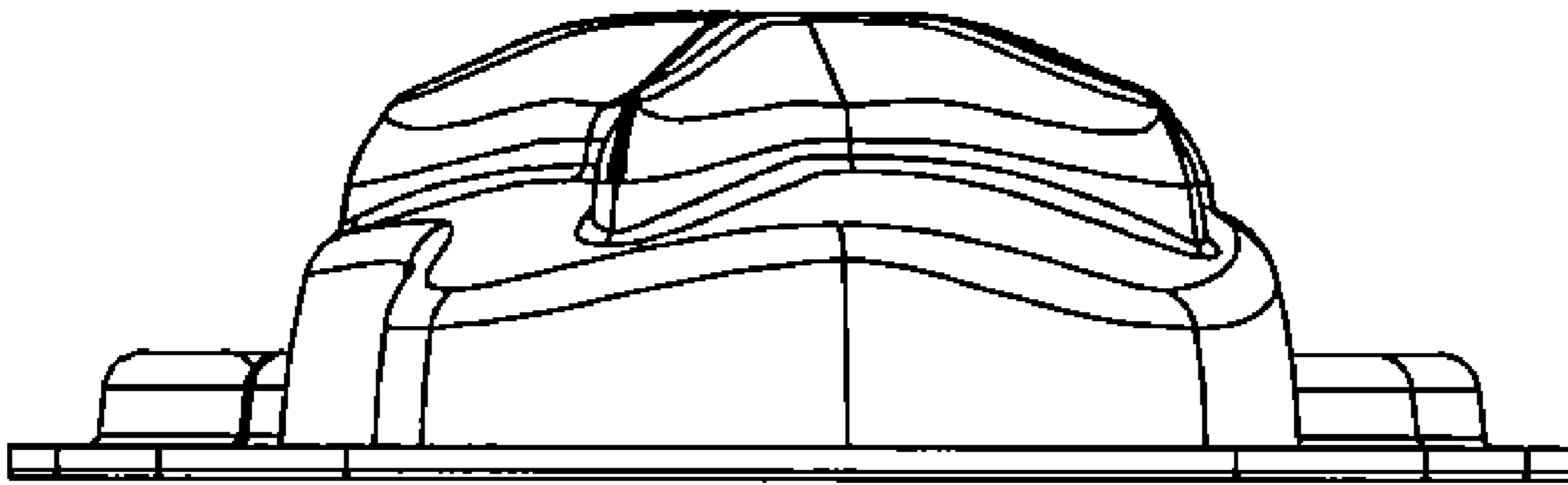


FIG. 7

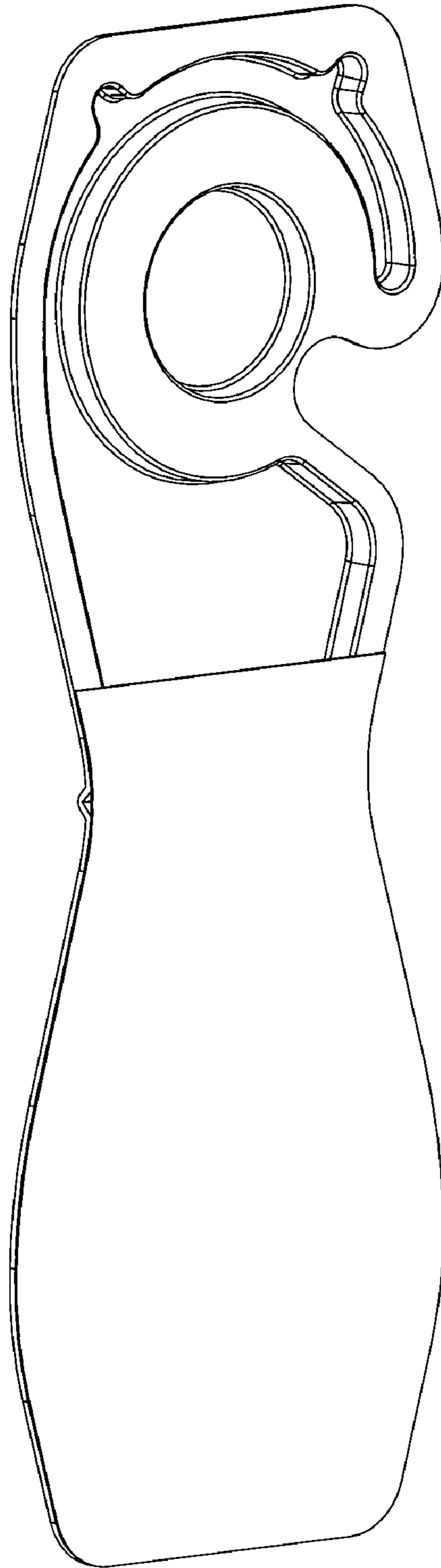


FIG. 8