

US00D549309S

(12) **United States Design Patent**  
**Stephant**

(10) **Patent No.:** **US D549,309 S**

(45) **Date of Patent:** **\*\* Aug. 21, 2007**

(54) **HEATER**

(75) Inventor: **Philippe Stephant**, Hyeres (FR)

(73) Assignee: **Herush Electrical (H.K.) Ltd.**, Hong Kong (HK)

(\*\*) Term: **14 Years**

(21) Appl. No.: **29/248,948**

(22) Filed: **Sep. 12, 2006**

(30) **Foreign Application Priority Data**

Mar. 14, 2006 (EM) ..... 000497169

(51) **LOC (8) Cl.** ..... **23-03**

(52) **U.S. Cl.** ..... **D23/342**

(58) **Field of Classification Search** ..... D23/314,  
D23/332, 335-350; 126/110 B, 90 A, 92 A,  
126/500, 544, 547; 392/360, 365-369, 373-376;  
312/326; 431/125

See application file for complete search history.

(56) **References Cited**

**U.S. PATENT DOCUMENTS**

D169,396 S \* 4/1953 Stirbis et al. .... D23/335  
D209,801 S \* 1/1968 Smith et al. .... D23/342  
4,760,243 A \* 7/1988 Tedioli ..... 392/366

D376,417 S \* 12/1996 Jane et al. .... D23/335  
D408,510 S \* 4/1999 Moreno ..... D23/335  
D437,397 S \* 2/2001 Ching ..... D23/335  
D514,674 S \* 2/2006 Blateri ..... D23/335  
D528,642 S \* 9/2006 Gildersleeve ..... D23/335  
2004/0033063 A1 \* 2/2004 Bing ..... 392/360  
2005/0078952 A1 \* 4/2005 Bain et al. .... 392/360

\* cited by examiner

*Primary Examiner*—Louis S. Zarfaz

*Assistant Examiner*—Eric L. Goodman

(74) *Attorney, Agent, or Firm*—Ostrolenk, Faber, Gerb & Soffen, LLP

(57) **CLAIM**

The ornamental design for heater, as shown.

**DESCRIPTION**

FIG. 1 is a front view of a heater showing my new design;

FIG. 2 is a right side view thereof;

FIG. 3 is a rear view thereof;

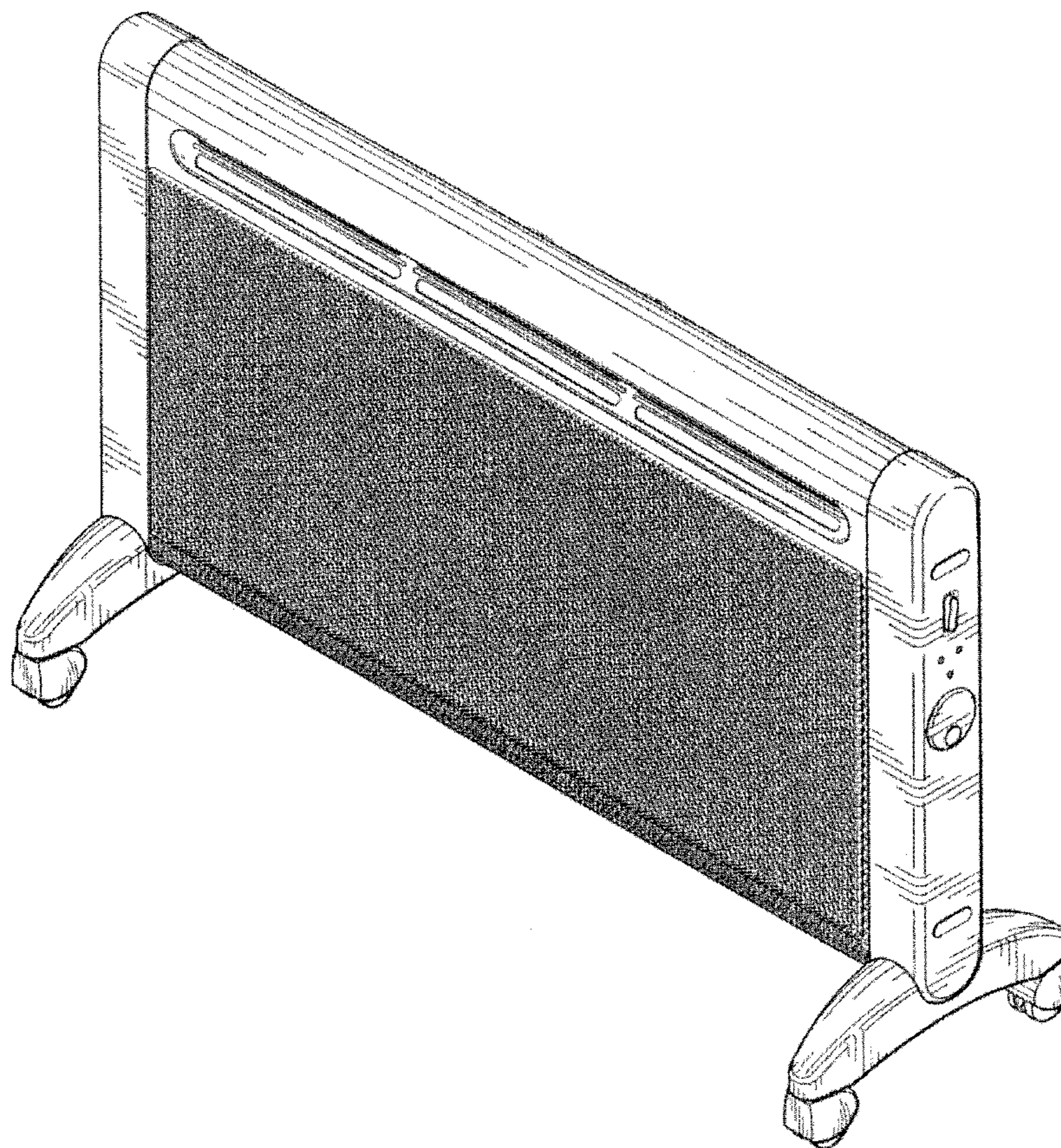
FIG. 4 is a left side view thereof;

FIG. 5 is a top view thereof;

FIG. 6 is a bottom view thereof; and,

FIG. 7 is a front perspective view thereof.

**1 Claim, 4 Drawing Sheets**



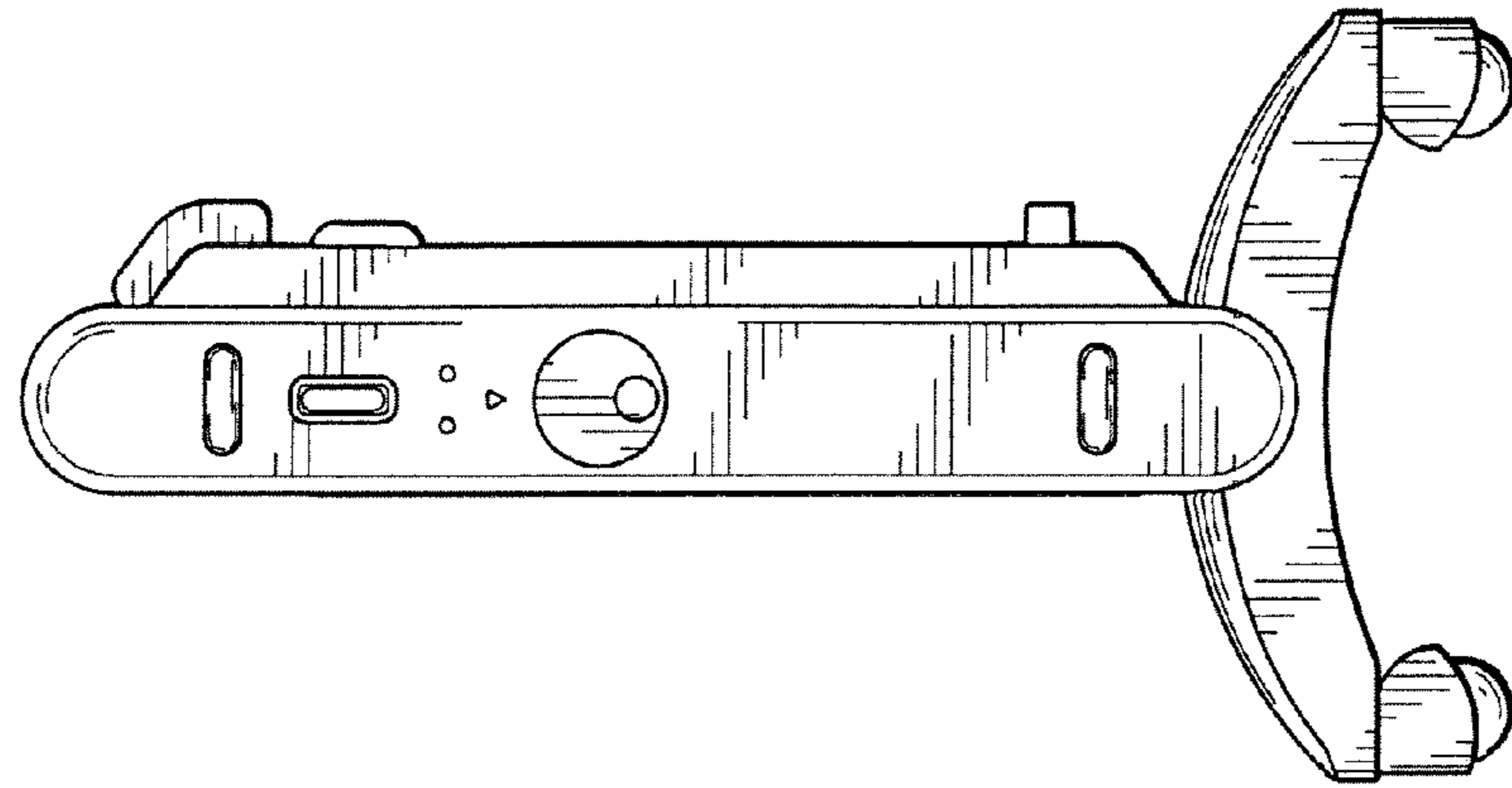


FIG. 2

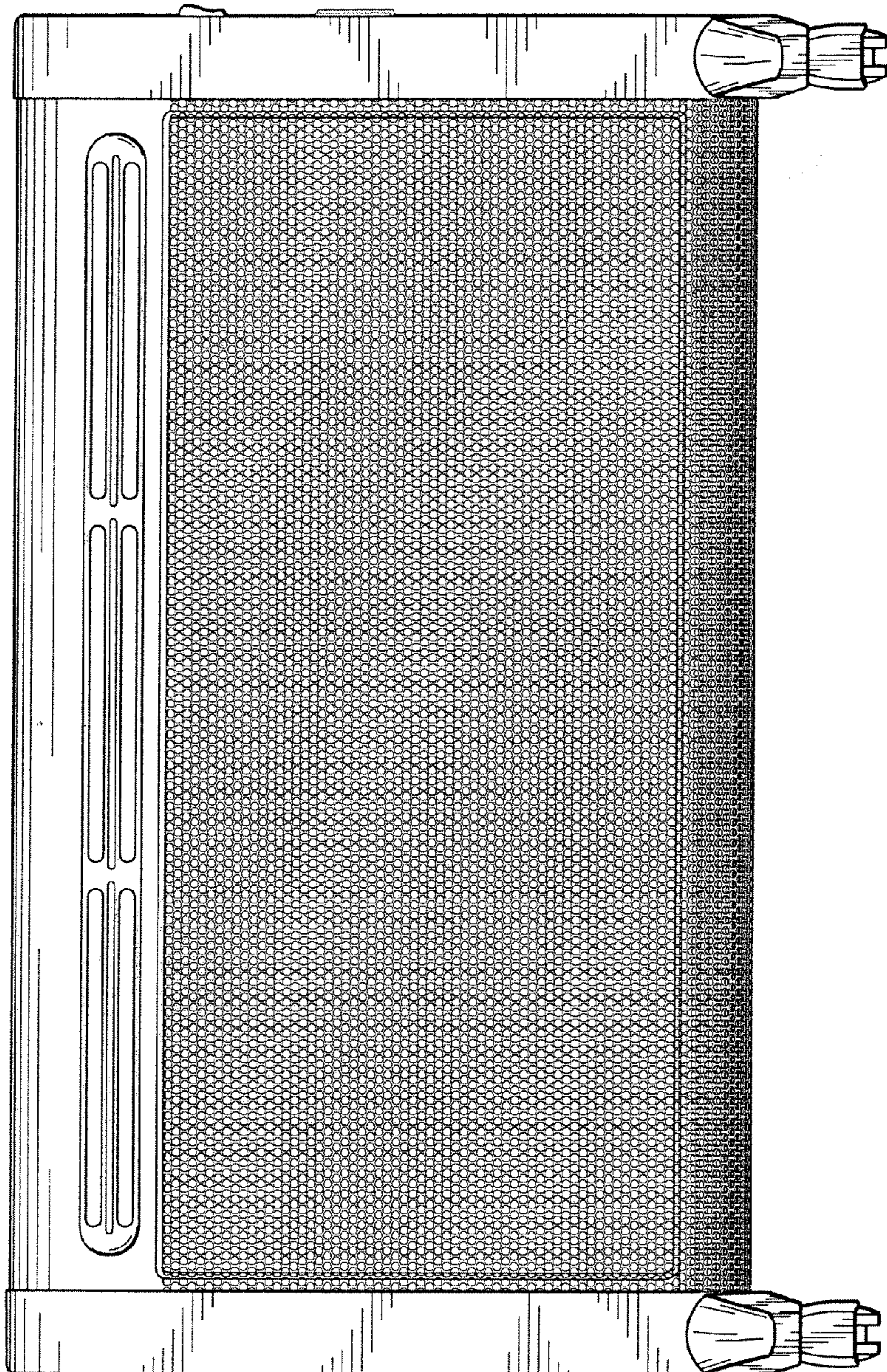


FIG. 1

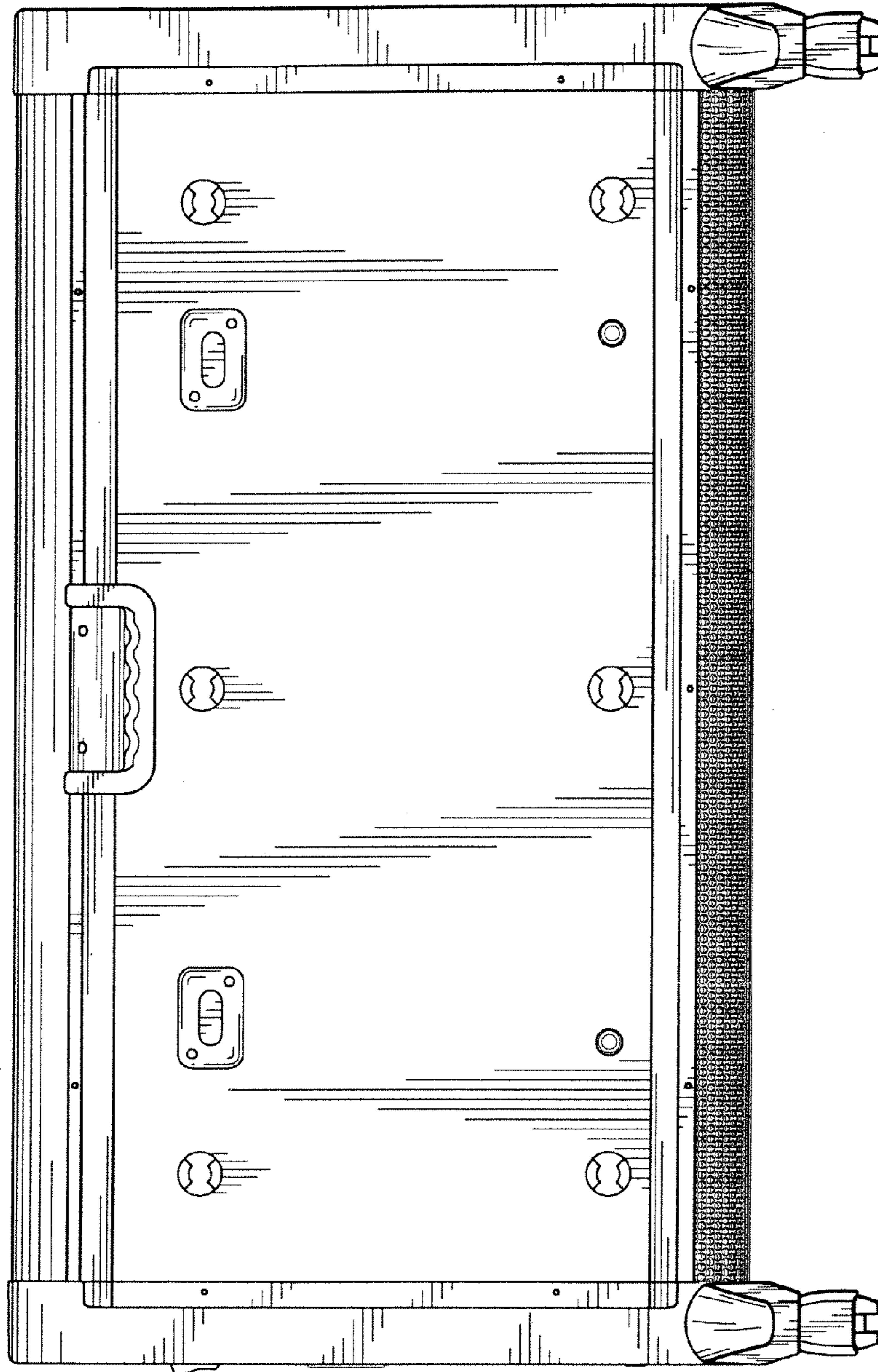


FIG. 3

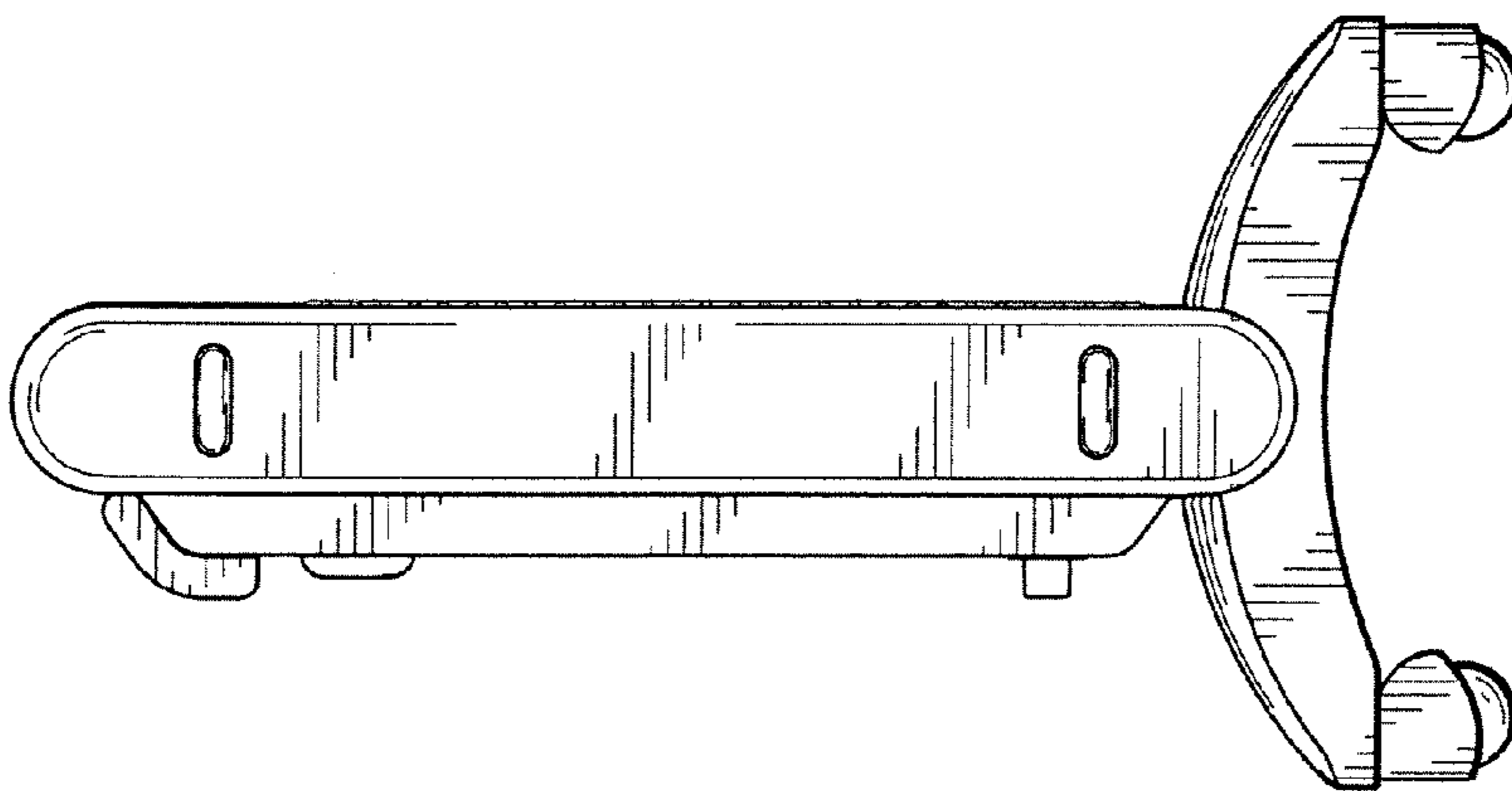


FIG. 4

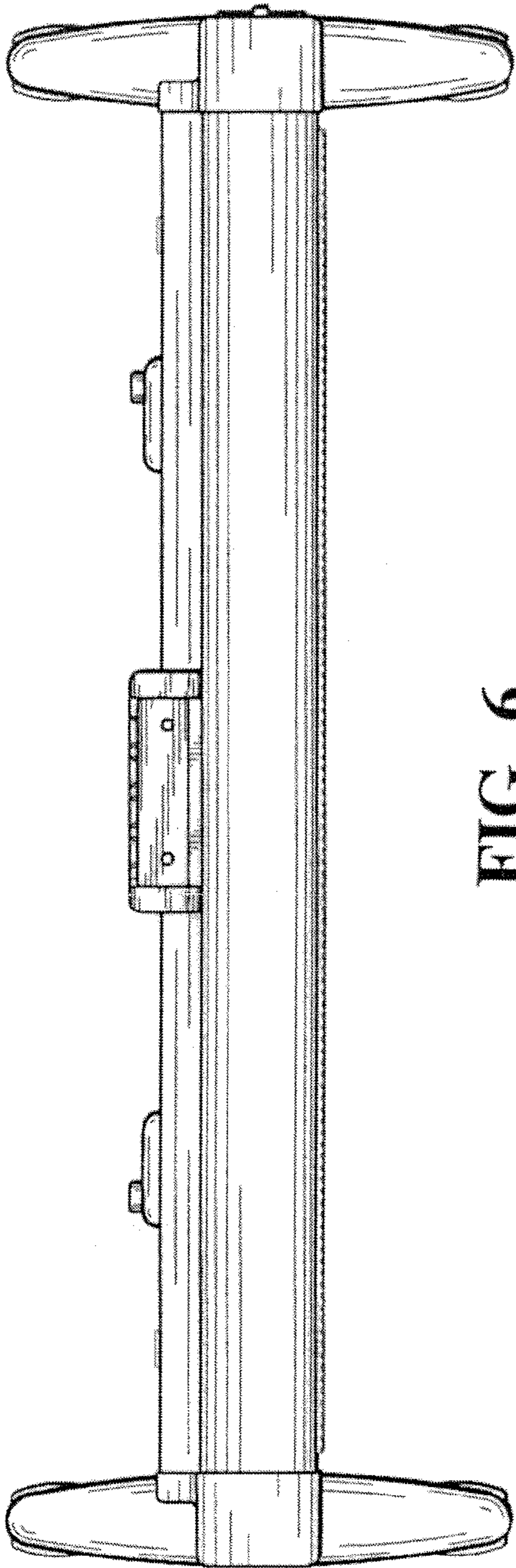


FIG. 6

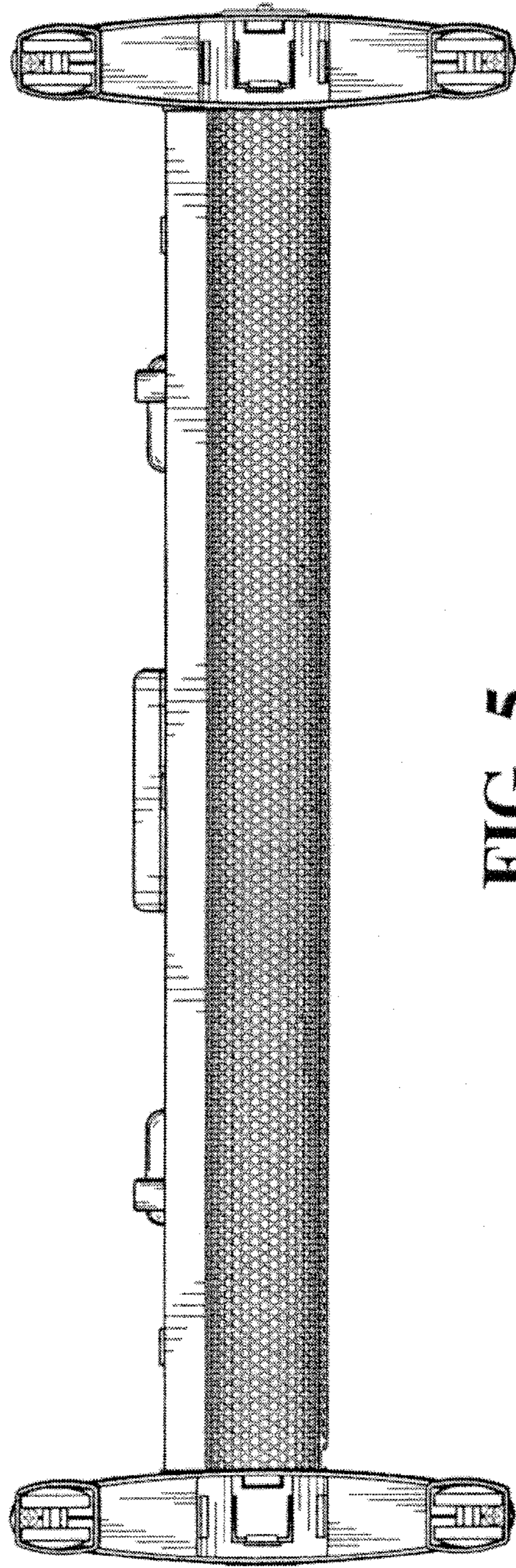


FIG. 5

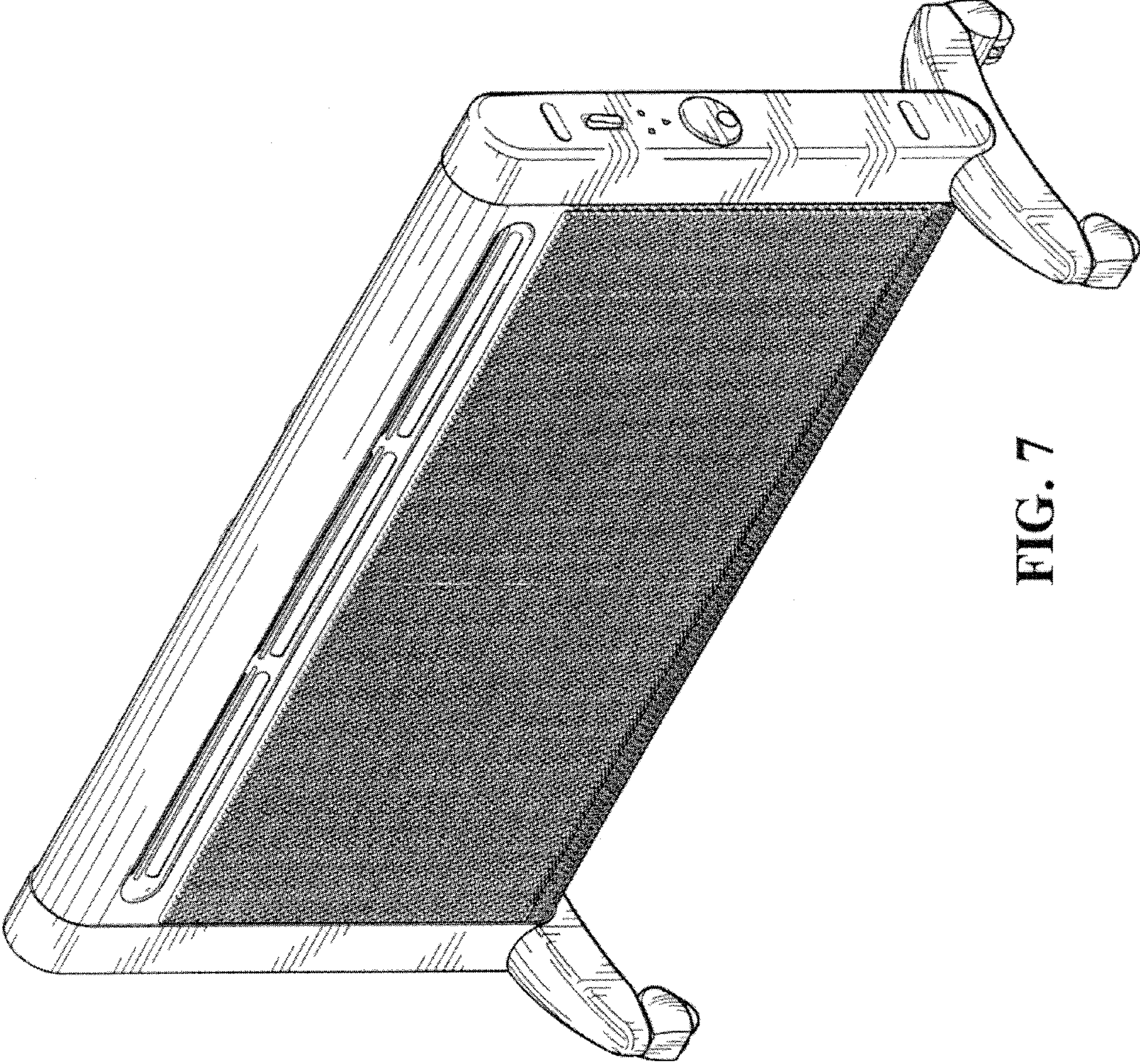


FIG. 7