



US00D549307S

(12) **United States Design Patent**  
**Chiu**

(10) **Patent No.:** **US D549,307 S**

(45) **Date of Patent:** **\*\* Aug. 21, 2007**

(54) **PORTABLE AIR CONDITIONER**

D448,836 S \* 10/2001 De' Longhi ..... D23/333

(75) Inventor: **Ming-Tsung Chiu**, Chung-Ho (TW)

\* cited by examiner

(73) Assignee: **New Widetech Industries Co., Ltd.**,  
Chung-Ho, Taipei Hsien (TW)

*Primary Examiner*—Brian N Vinson

(74) *Attorney, Agent, or Firm*—James H. Walters

(\*\*) Term: **14 Years**

(57) **CLAIM**

(21) Appl. No.: **29/247,521**

The ornamental design for a portable air conditioner, as shown and described.

(22) Filed: **Jun. 23, 2006**

(51) **LOC (8) Cl.** ..... **23-04**

(52) **U.S. Cl.** ..... **D23/333**

(58) **Field of Classification Search** ..... D23/351,  
D23/333; 312/236; 62/259.1, 259.3, 259.4,  
62/262–263, 304, 401, 515–516; 454/330–331,  
454/349–350, 335, 354

See application file for complete search history.

**DESCRIPTION**

FIG. 1 is a perspective view of a portable air conditioner showing my new design;

FIG. 2 is a front view thereof;

FIG. 3 is a rear view thereof;

FIG. 4 is a left side view thereof;

FIG. 5 is a right side view thereof;

FIG. 6 is a top view thereof;

FIG. 7 is a bottom view thereof;

FIG. 8 is another perspective view thereof; and,

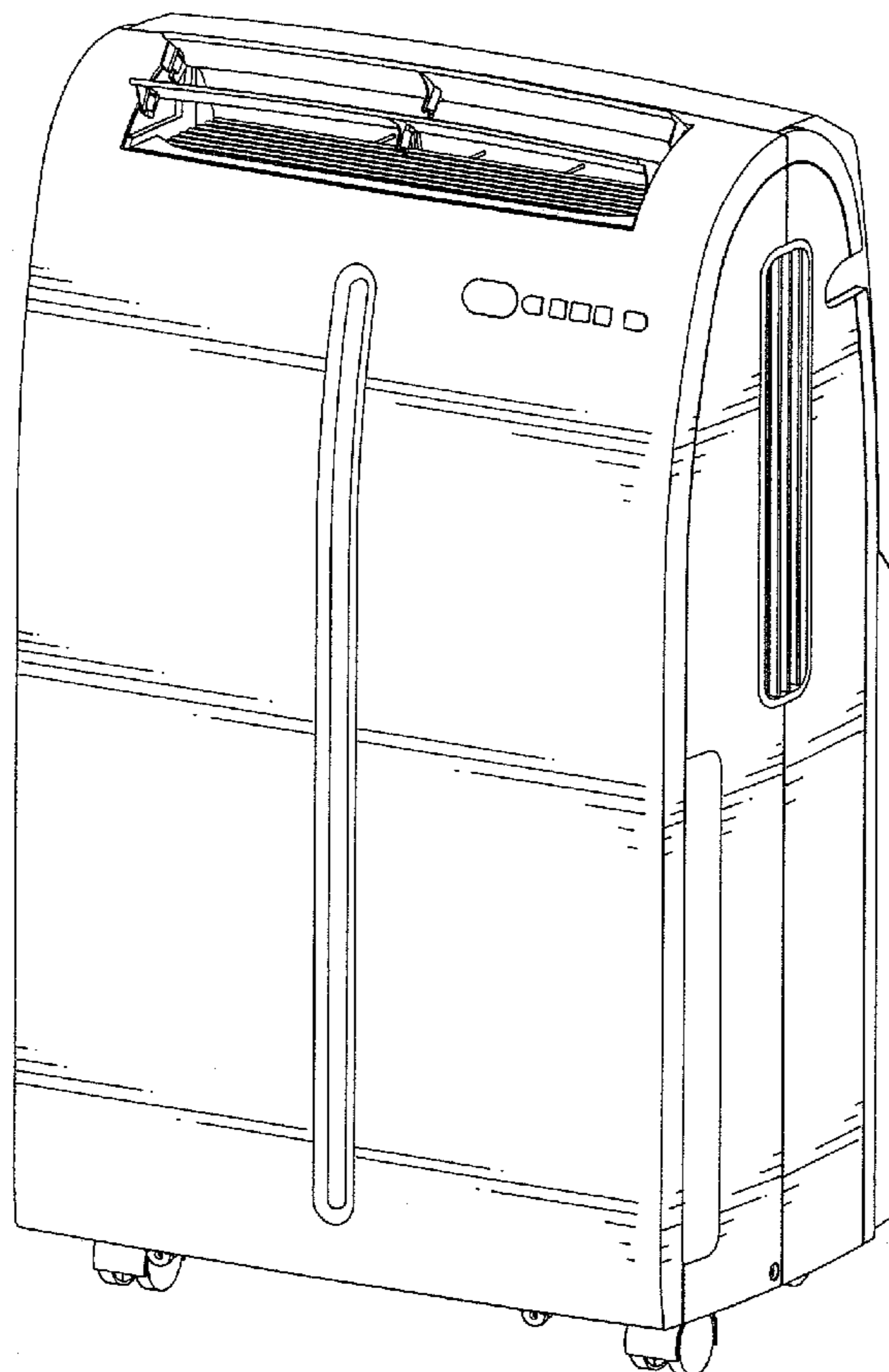
FIG. 9 is an operational perspective view thereof.

(56) **References Cited**

**U.S. PATENT DOCUMENTS**

- D319,306 S \* 8/1991 Yamazaki et al. .... D23/351
- D368,770 S \* 4/1996 Tanner et al. .... D23/351
- D416,993 S \* 11/1999 Dong et al. .... D23/333
- D423,656 S \* 4/2000 De'Longhi ..... D23/333
- D448,070 S \* 9/2001 De' Longhi ..... D23/333

**1 Claim, 9 Drawing Sheets**



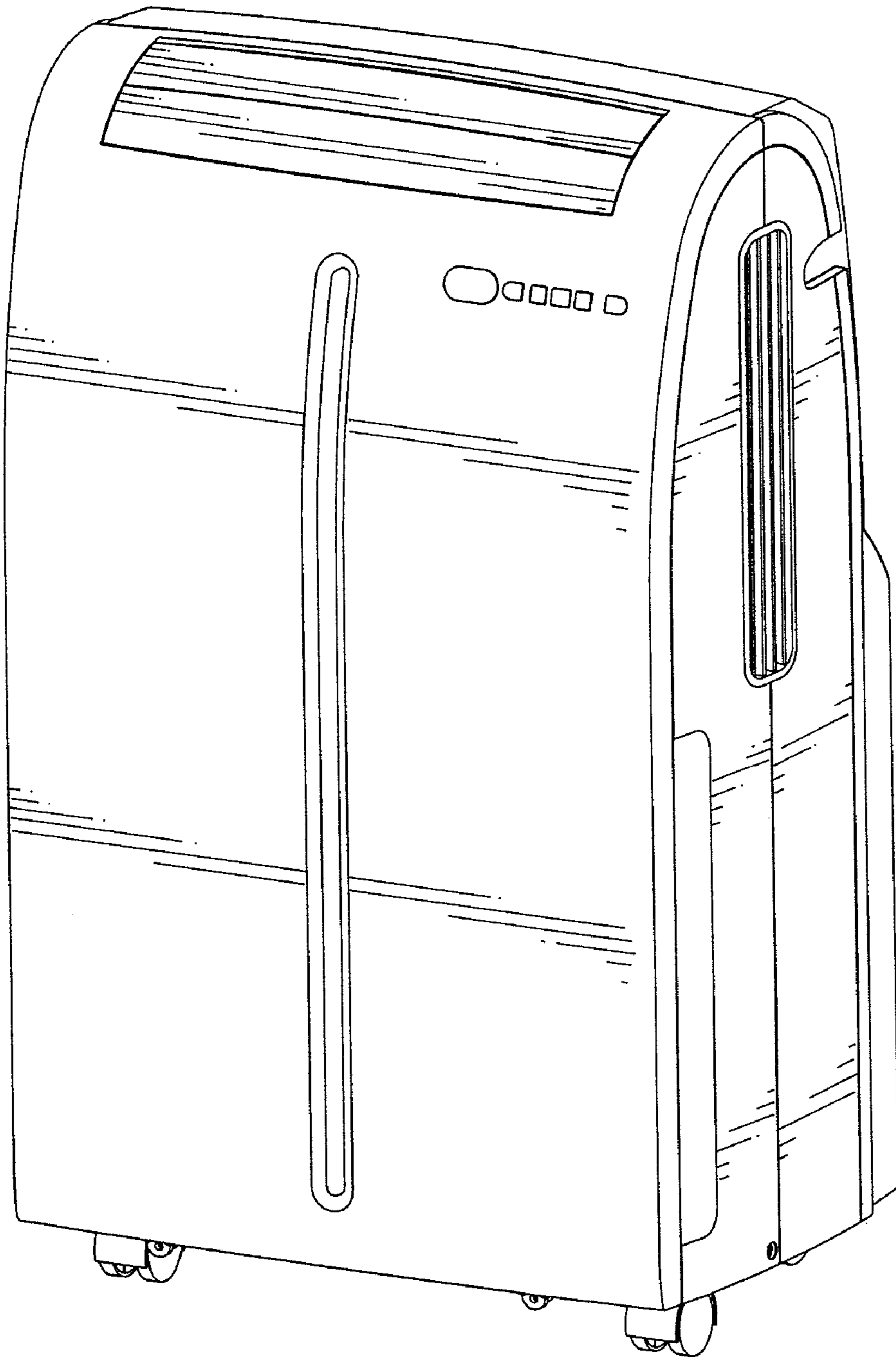


FIG.1

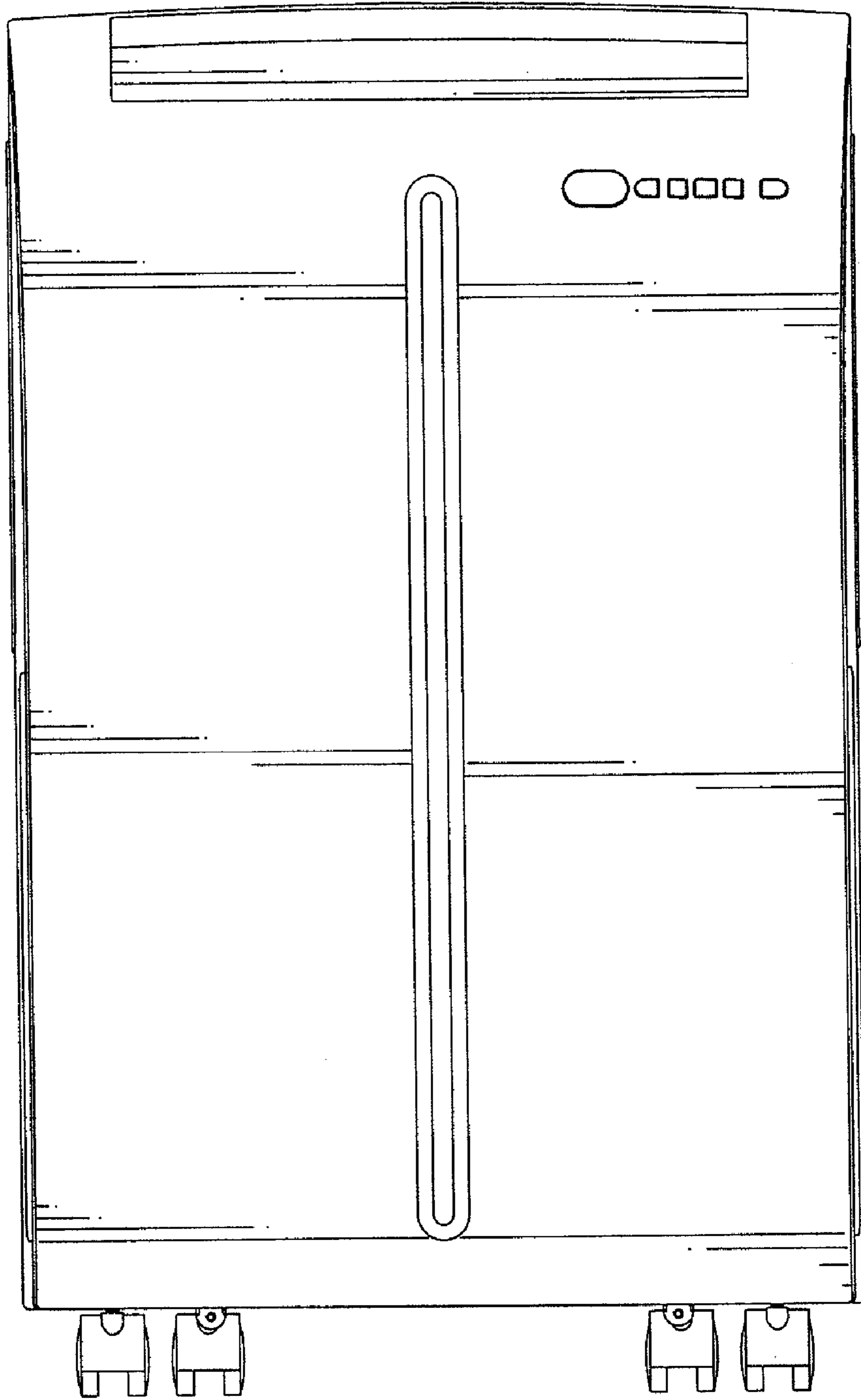


FIG.2

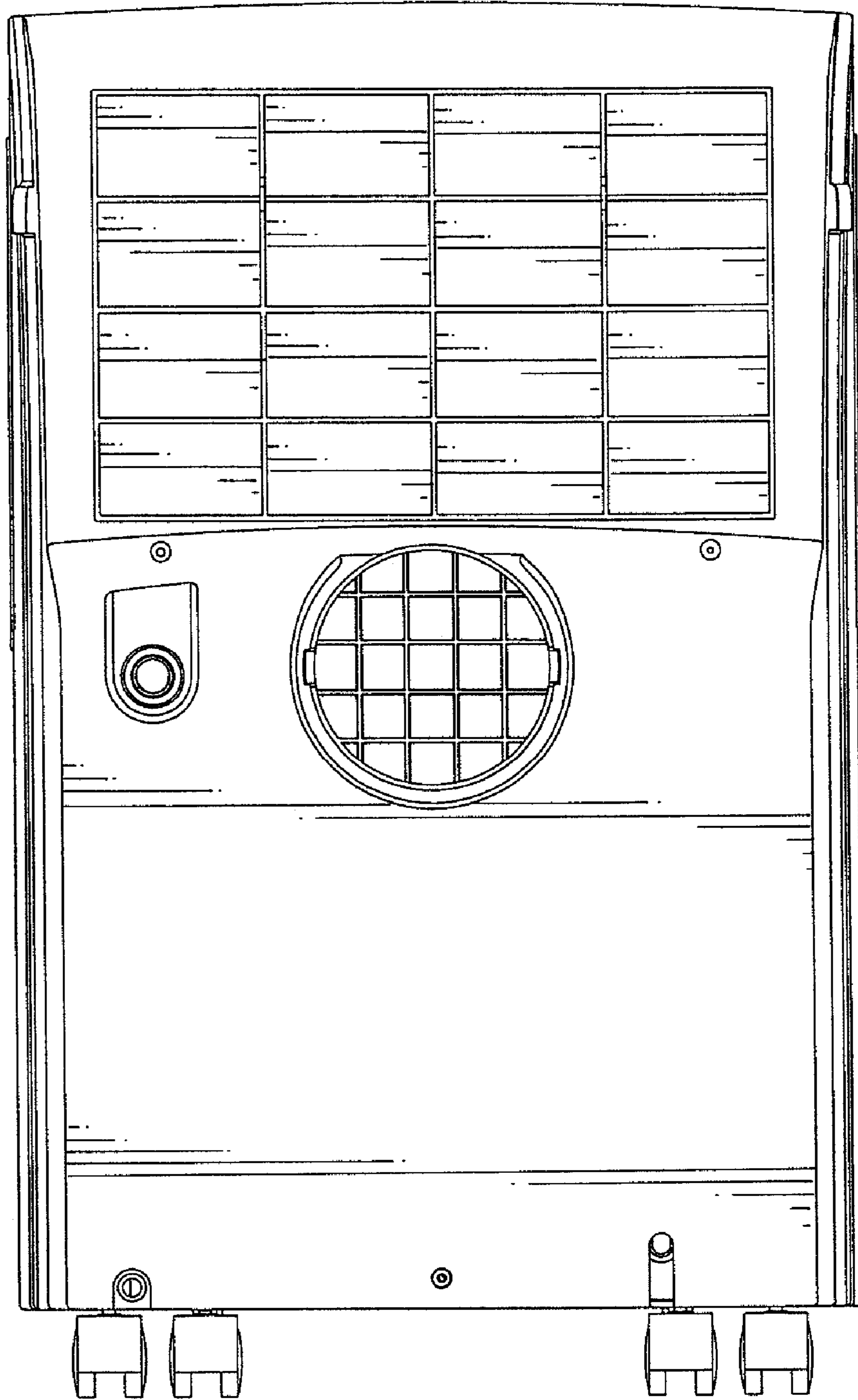


FIG.3

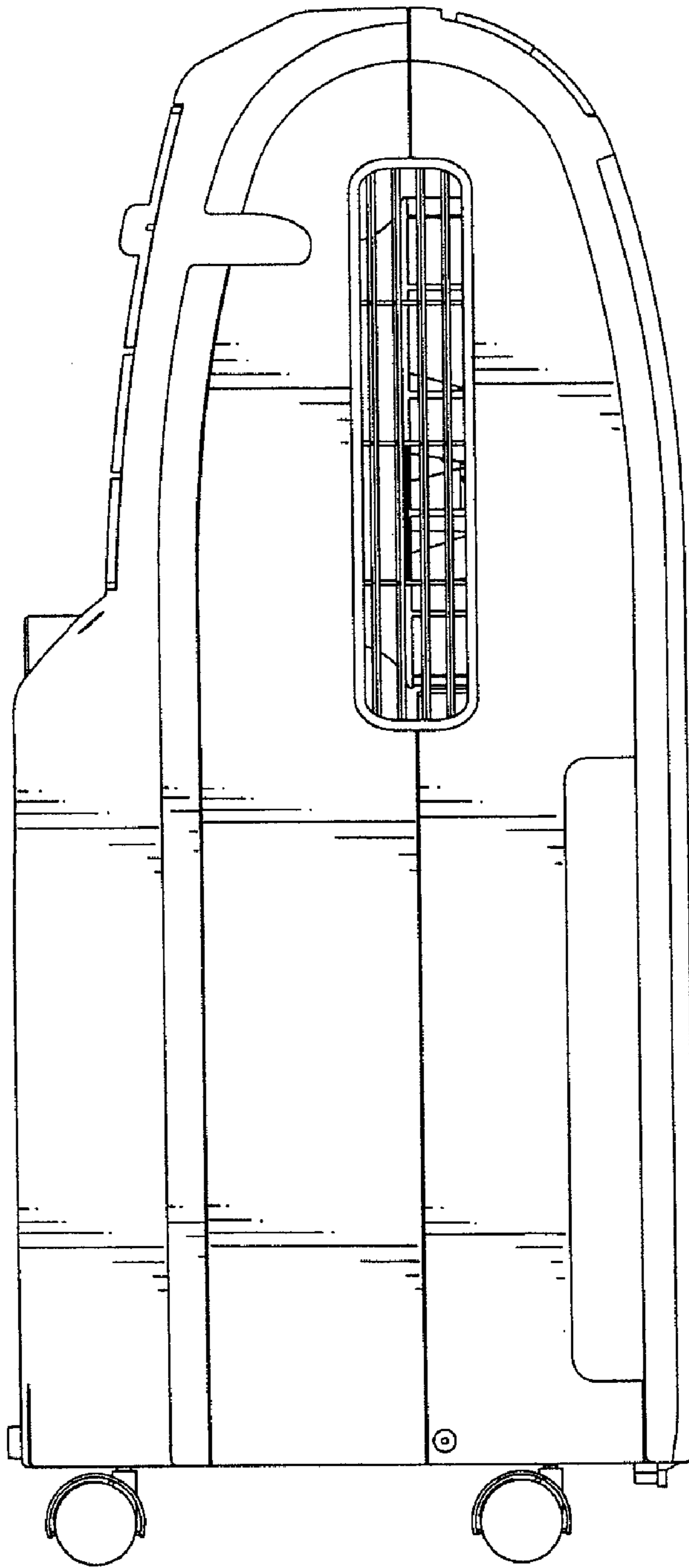


FIG.4

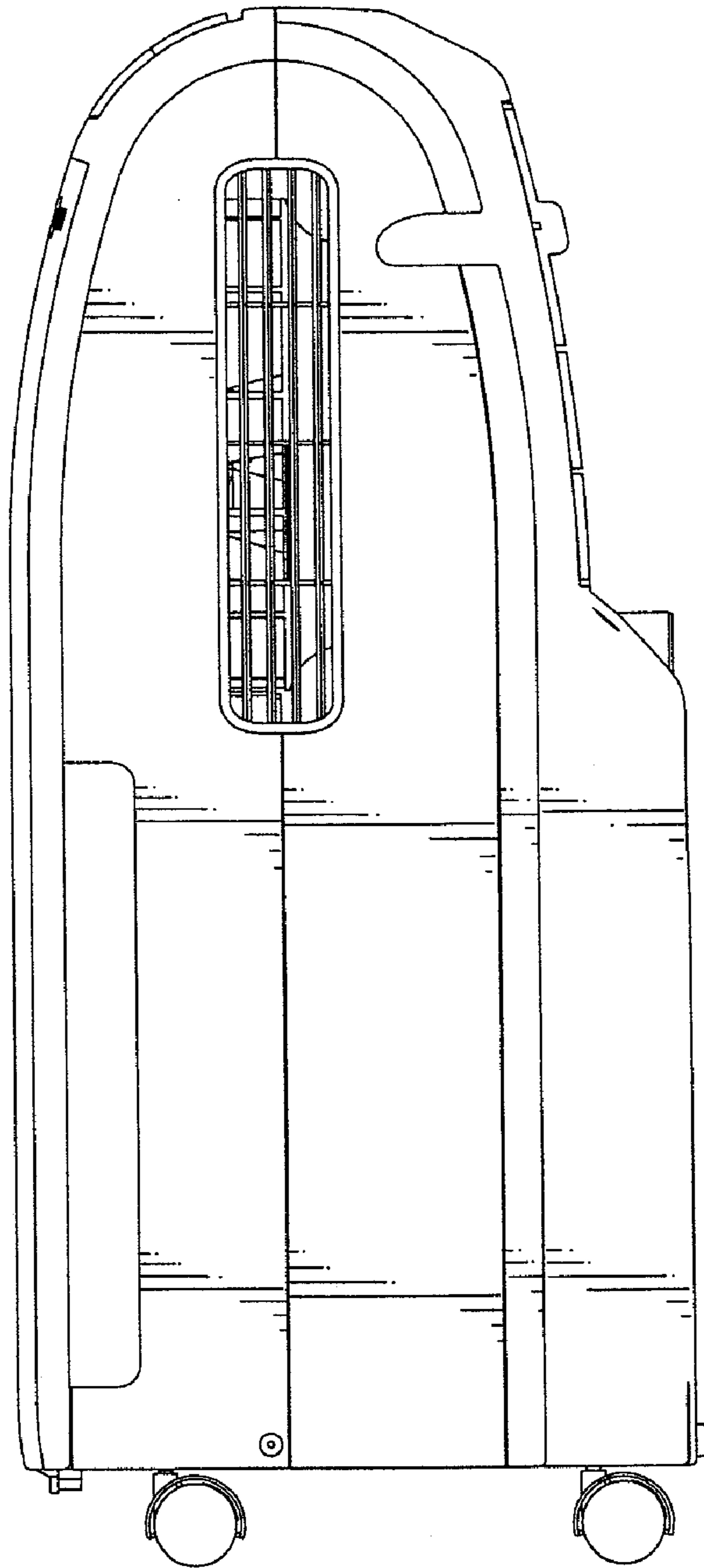


FIG.5

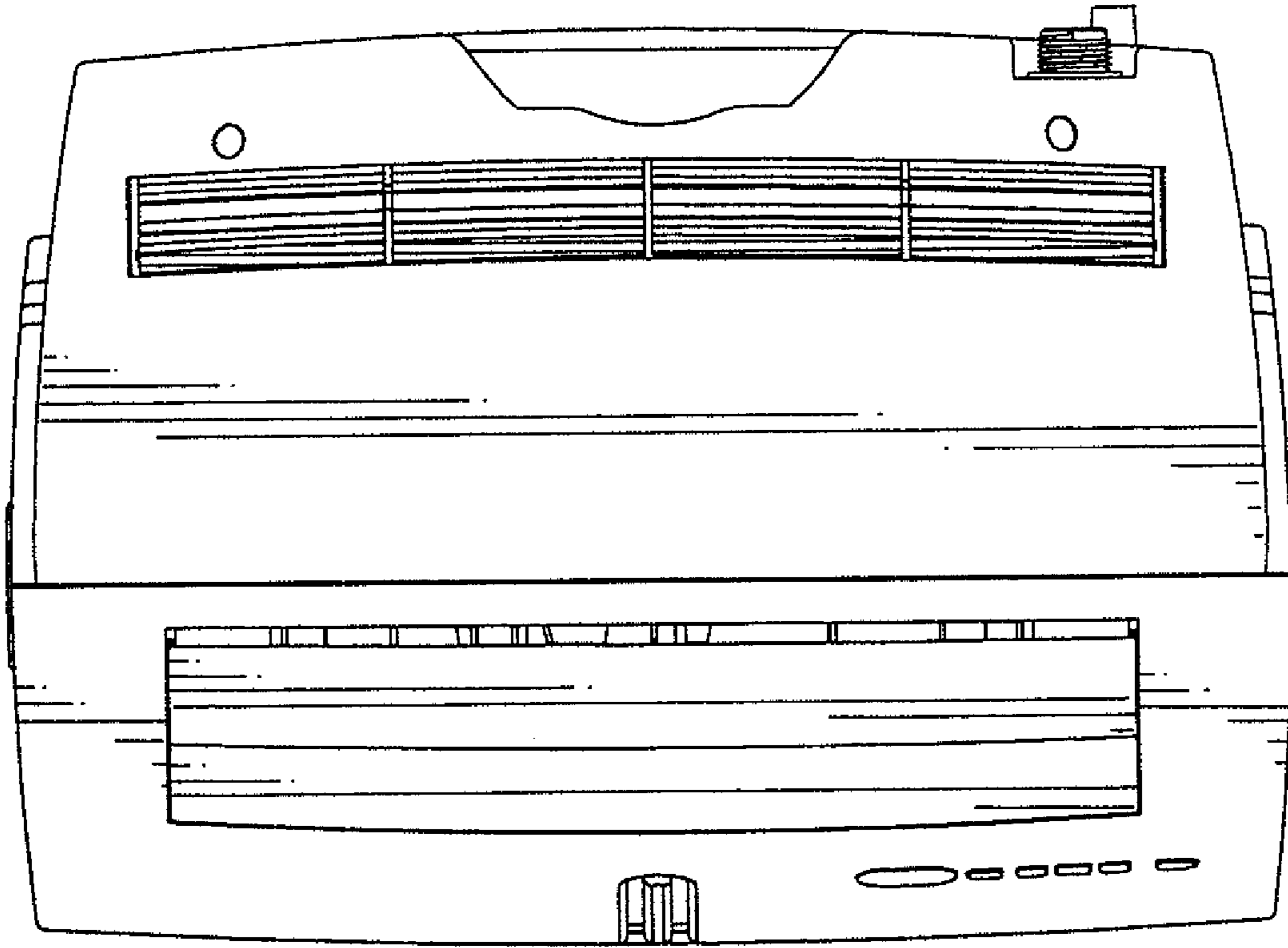


FIG.6

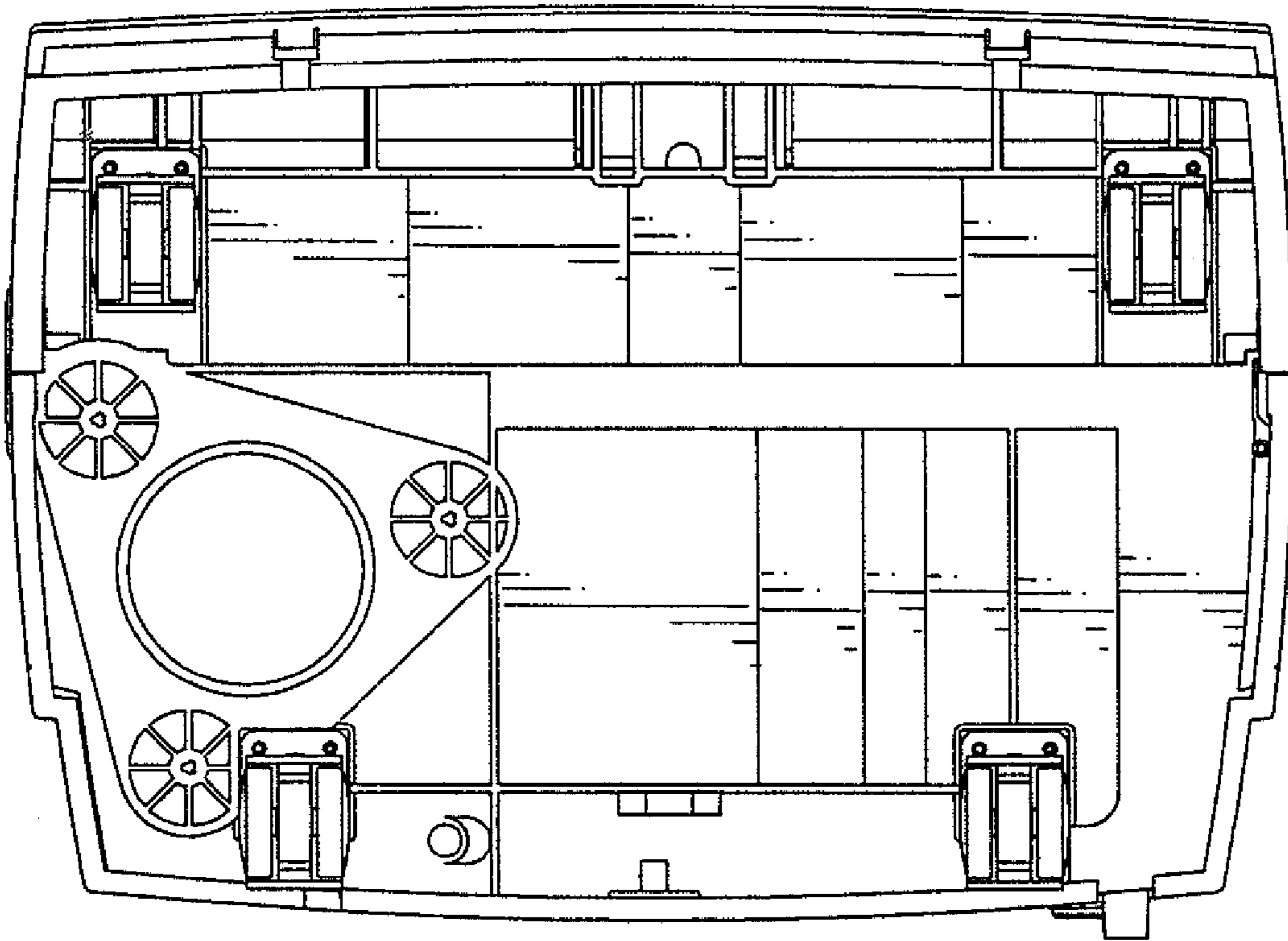


FIG.7



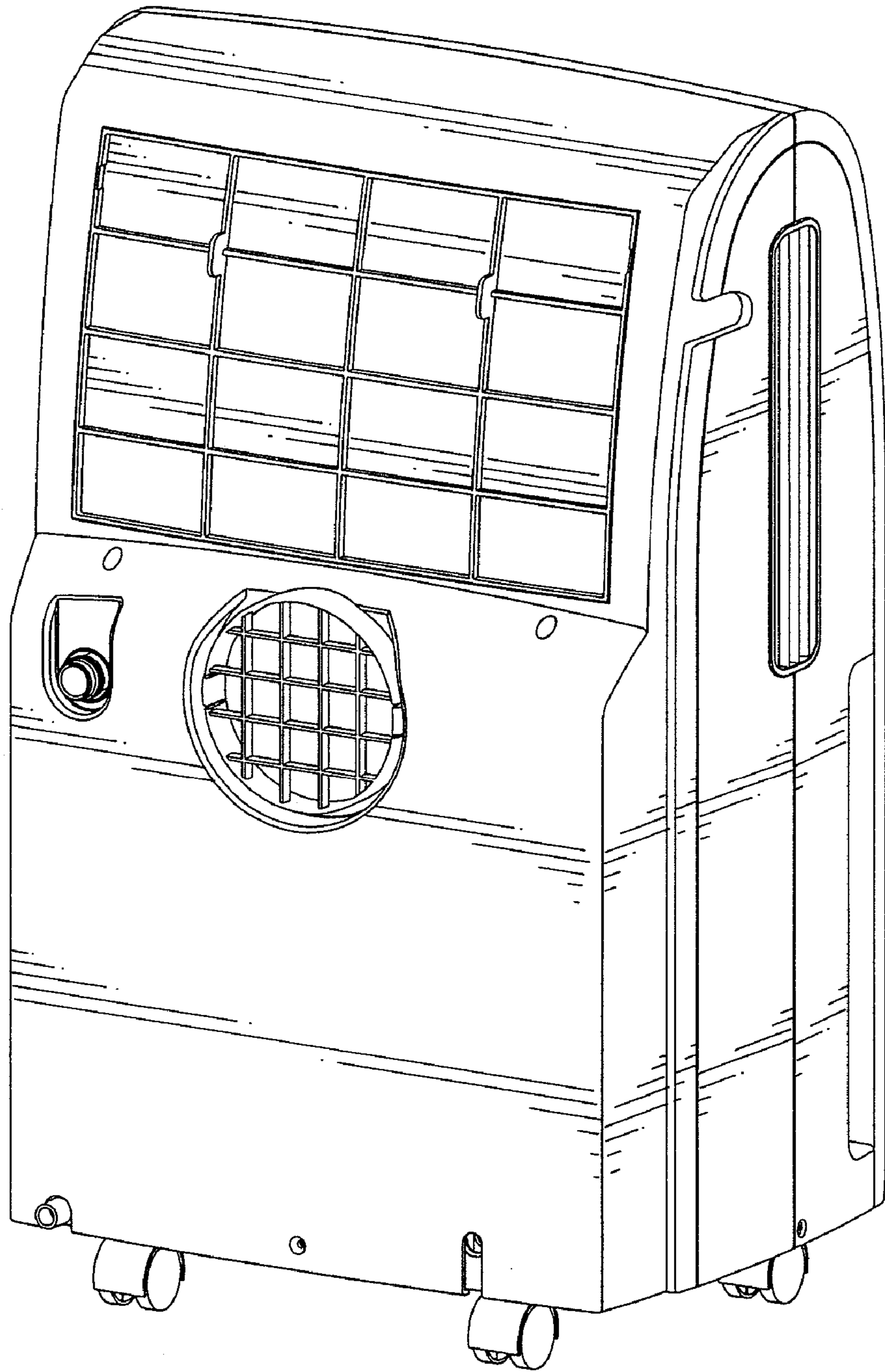


FIG.8

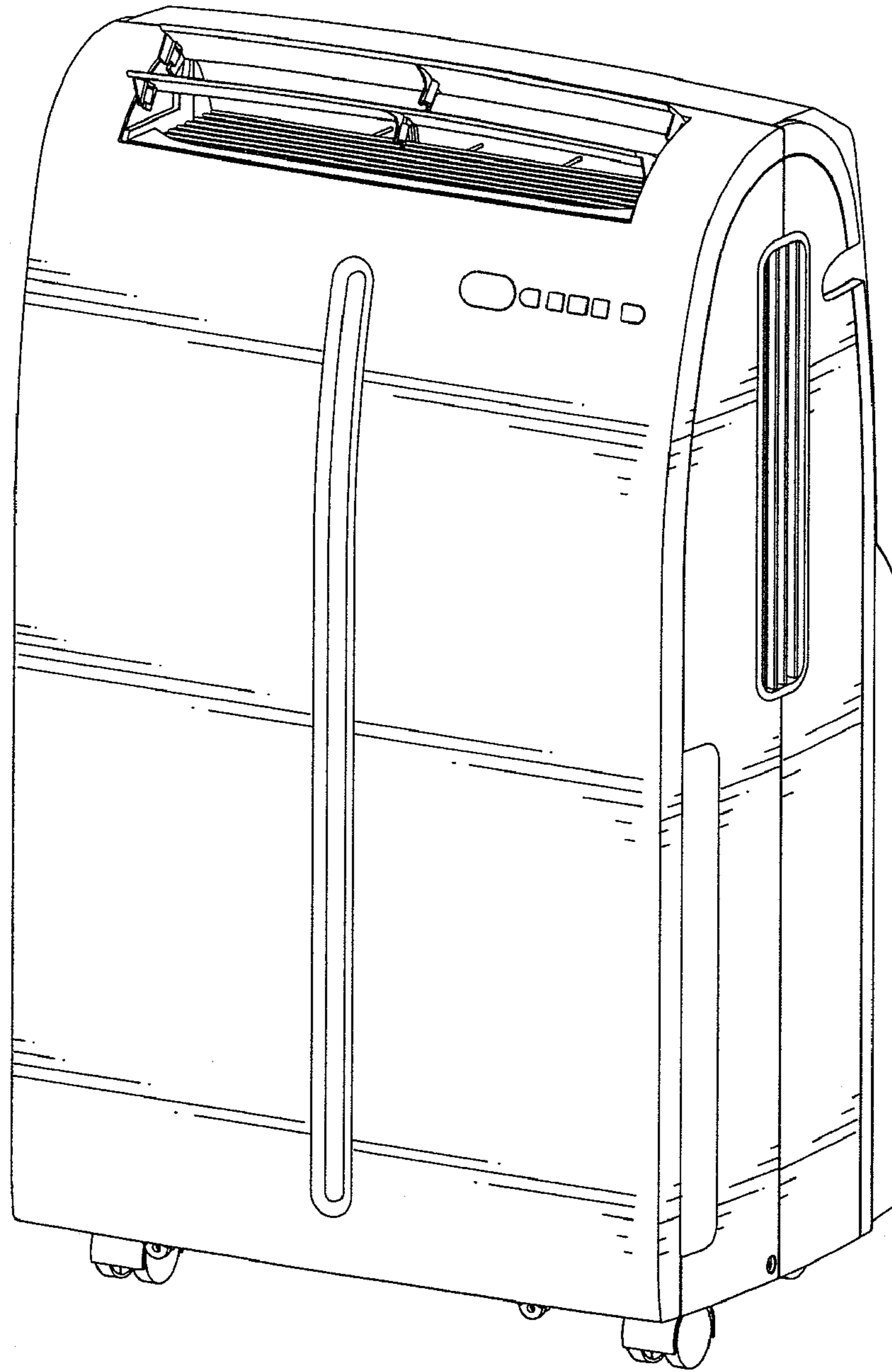


FIG.9