

US00D549306S

(12) **United States Design Patent**
Folkers

(10) **Patent No.:** **US D549,306 S**

(45) **Date of Patent:** **** Aug. 21, 2007**

(54) **BURNER MEMBRANE**

(75) Inventor: **Geert Folkers**, Bruchterveld (NL)

(73) Assignee: **NV Bekaert SA**, Zwevegem (BE)

(**) Term: **14 Years**

(21) Appl. No.: **29/258,072**

(22) Filed: **Apr. 17, 2006**

(30) **Foreign Application Priority Data**

Oct. 17, 2005 (EM) 000416326

(51) **LOC (8) Cl.** **23-03**

(52) **U.S. Cl.** **D23/323; D7/407**

(58) **Field of Classification Search** D23/323,
D23/415, 347, 314; D26/114, 239, 431;
431/354, 328; D9/428; D7/407; 126/39 R,
126/38, 41 R

See application file for complete search history.

(56) **References Cited**

U.S. PATENT DOCUMENTS

4,485,972 A * 12/1984 Freber 239/553.3
4,986,254 A * 1/1991 Haen et al. 126/41 R
5,249,958 A * 10/1993 Freber 431/354
5,423,308 A * 6/1995 Huang et al. 126/38
D368,829 S * 4/1996 Giebel et al. D7/407
D369,720 S * 5/1996 Giebel et al. D7/407

5,711,663 A * 1/1998 Giebel et al. 431/354
5,992,770 A * 11/1999 Culpepper 239/548
6,283,114 B1 * 9/2001 Giebel et al. 126/41 R

* cited by examiner

Primary Examiner—Louis S. Zarfes

Assistant Examiner—Anna K. Dworzecka

(74) *Attorney, Agent, or Firm*—Shlesinger, Arkwright & Garvey LLP.

(57) **CLAIM**

The ornamental design for a burner membrane, as shown and described.

DESCRIPTION

FIG. 1 is a top perspective view of a burner membrane, showing my new design;

FIG. 2 is a bottom perspective view of the burner membrane of FIG. 1;

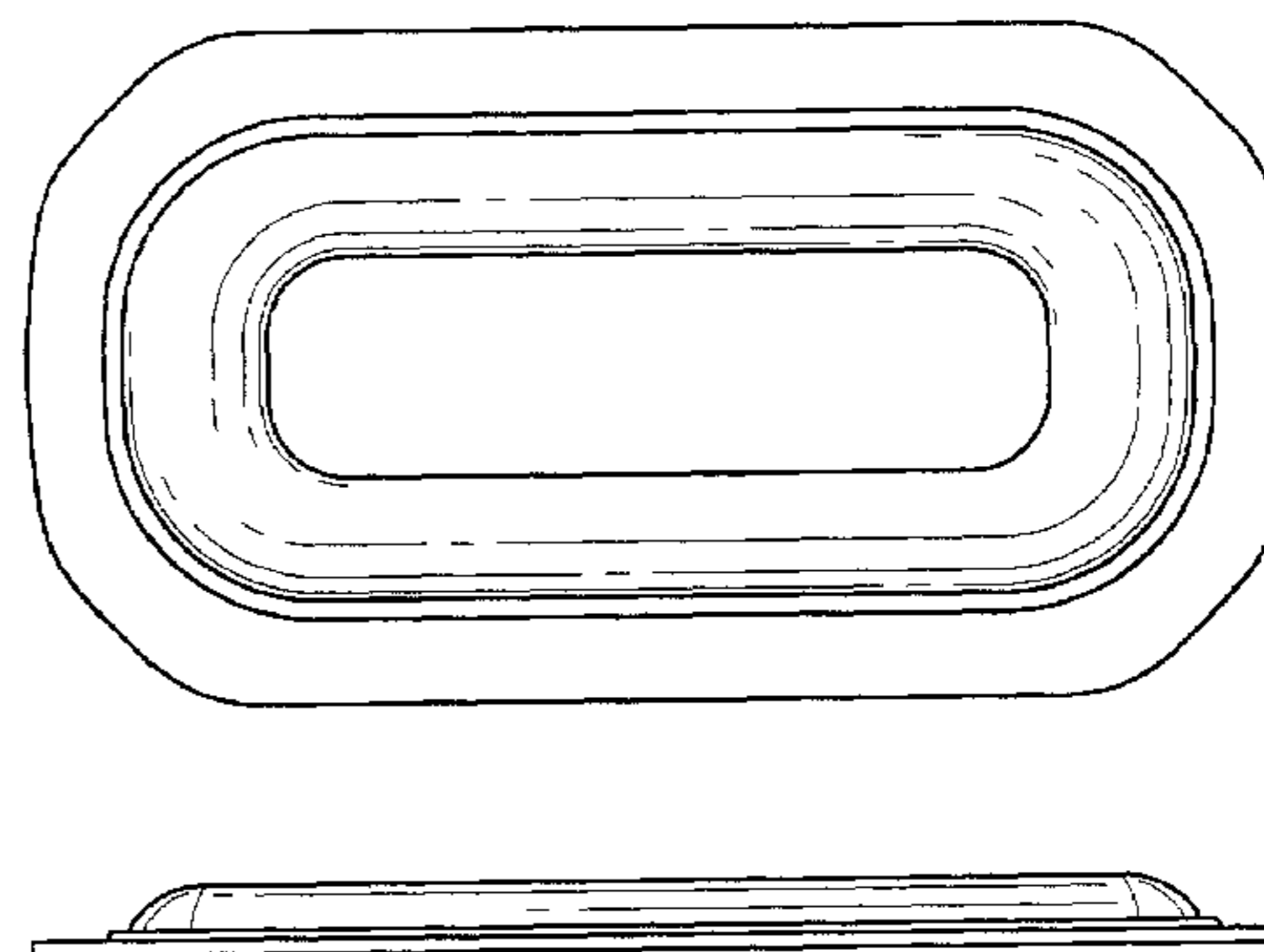
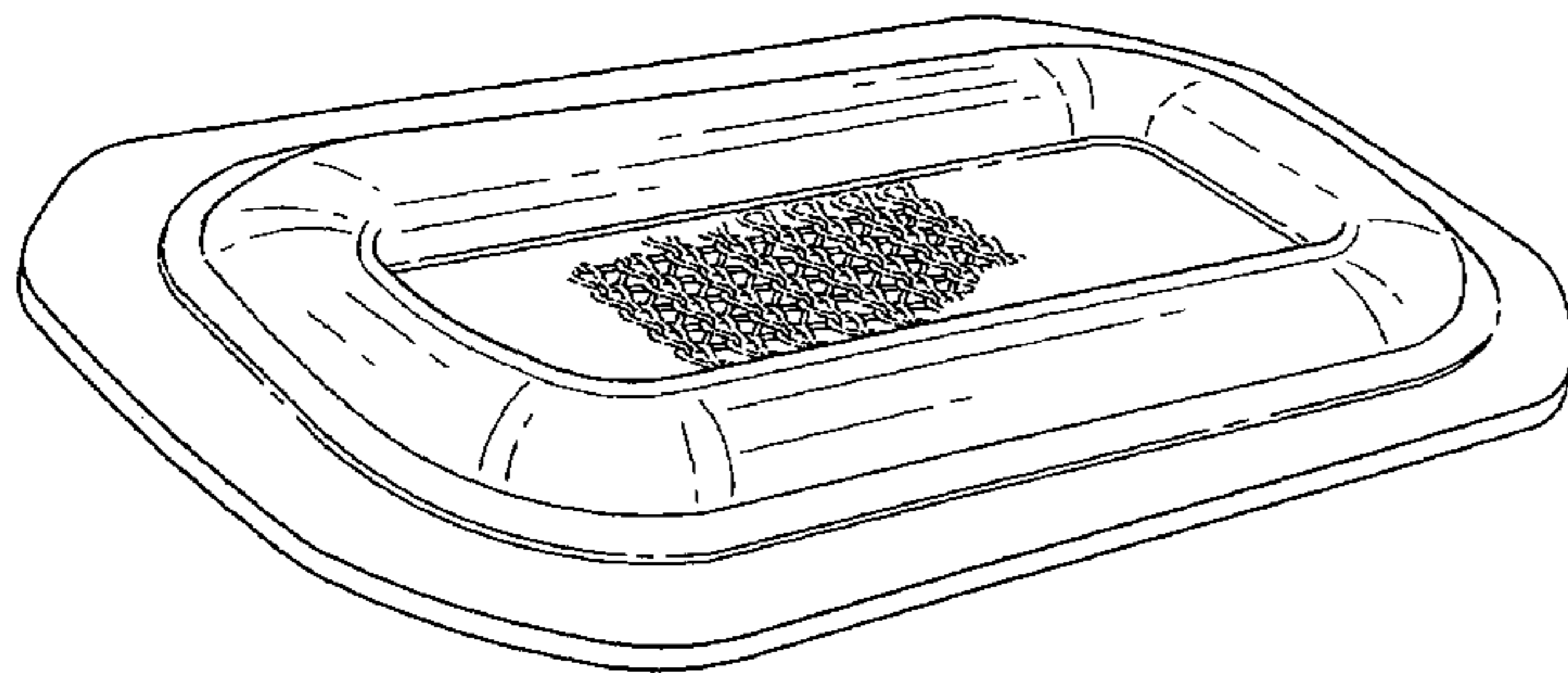
FIG. 3 is a top plan view the burner membrane of FIG. 1;

FIG. 4 is a front view of the burner membrane of FIG. 1, the rear view being a mirror image thereof; and,

FIG. 5 is left side view of the burner membrane of FIG. 1, the right side view being a mirror image thereof.

The phantom lines shown do not form a part of the claimed design.

1 Claim, 2 Drawing Sheets



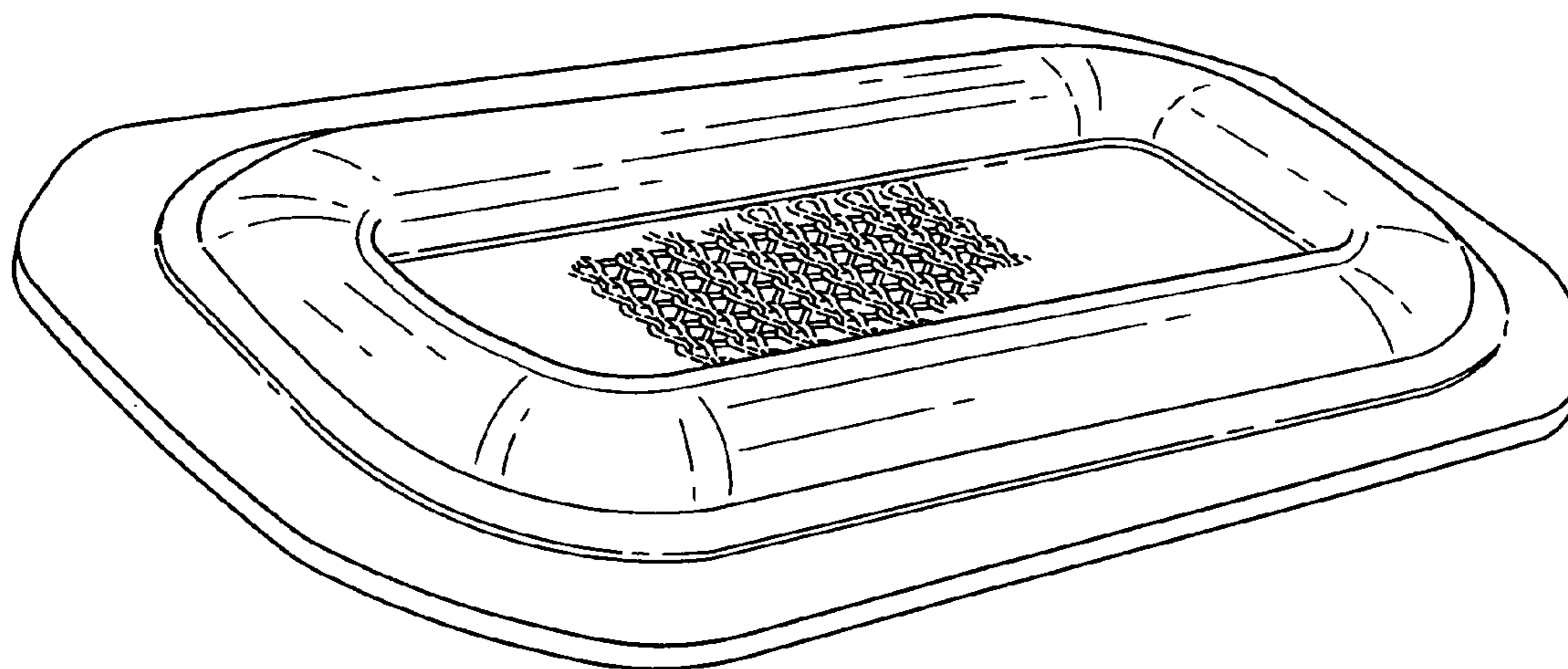


FIG. 1

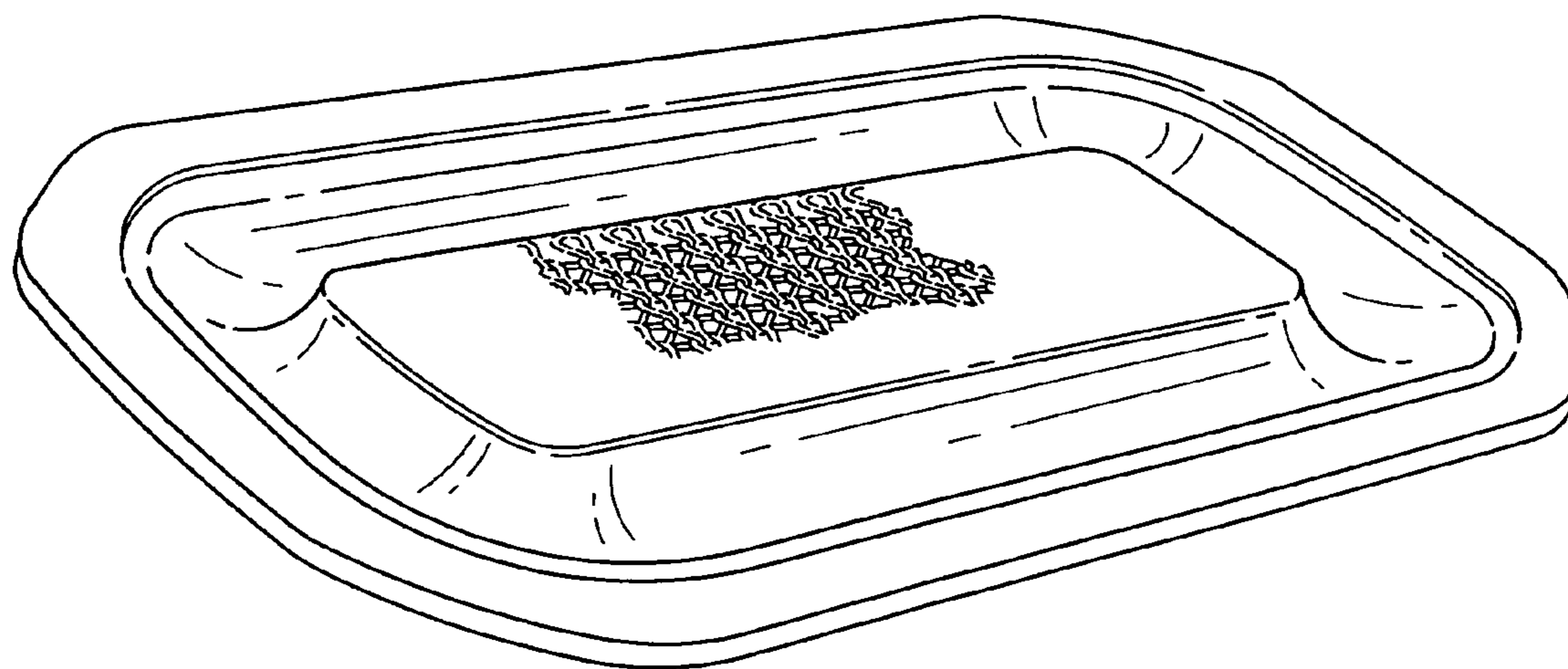


FIG. 2

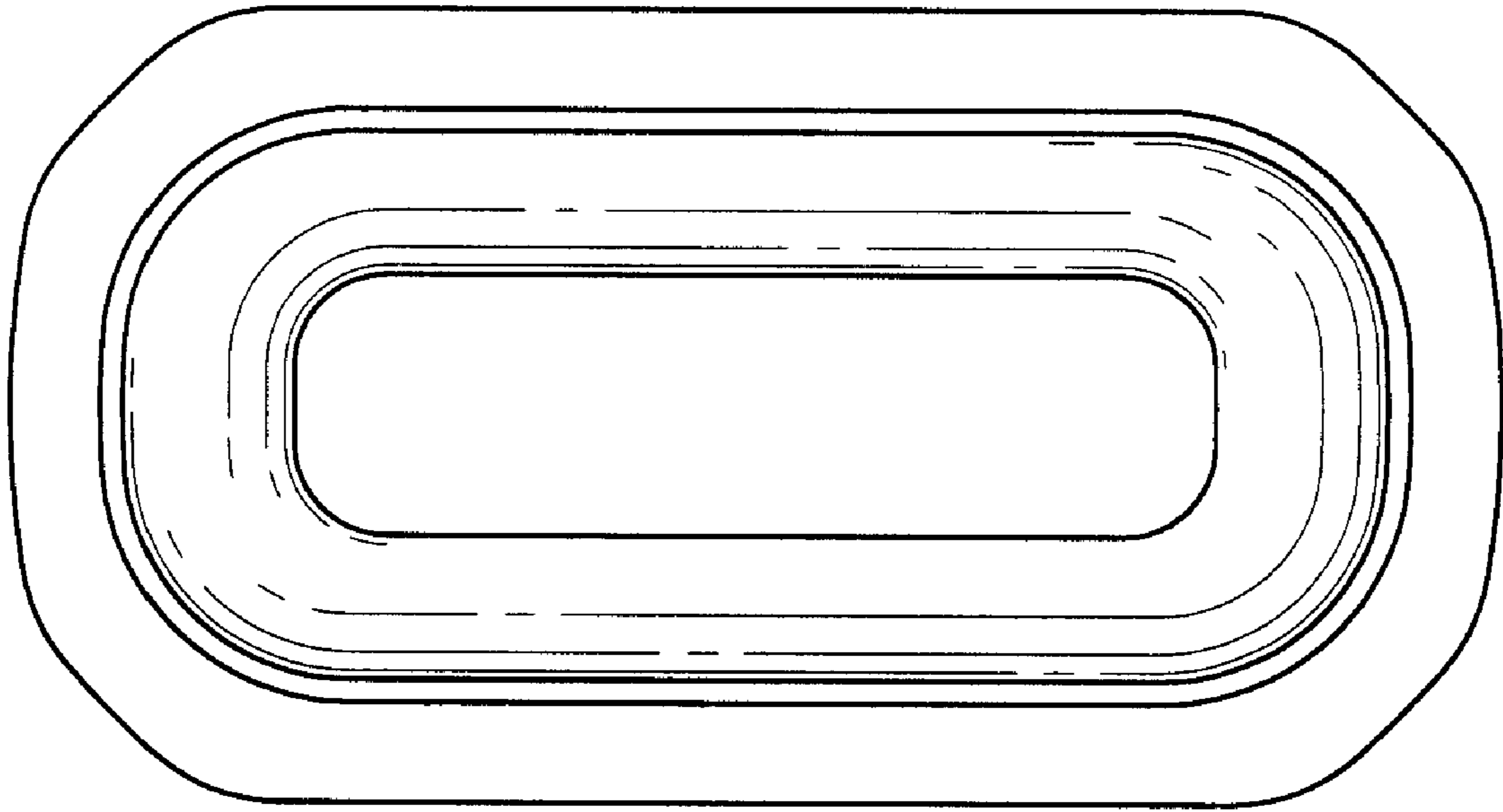


FIG. 3

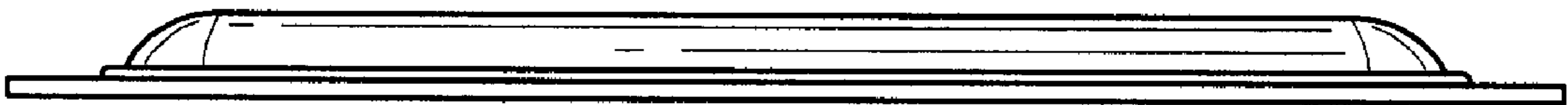


FIG. 4

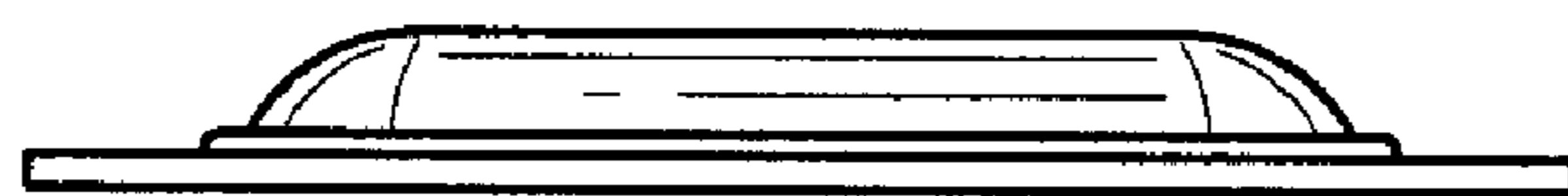


FIG. 5