

US00D549304S

(12) **United States Design Patent**  
**Sedwick**

(10) **Patent No.:** **US D549,304 S**

(45) **Date of Patent:** **\*\* Aug. 21, 2007**

(54) **SPOUT PORTION**

(75) Inventor: **Jennifer Sedwick**, Lakewood, OH (US)

(73) Assignee: **Moen Incorporated**, North Olmstead, OH (US)

(\*\*) Term: **14 Years**

(21) Appl. No.: **29/264,192**

(22) Filed: **Aug. 4, 2006**

**Related U.S. Application Data**

(63) Continuation of application No. 29/251,564, filed on Jan. 10, 2006, now Pat. No. Des. 535,366.

(51) **LOC (8) Cl.** ..... **23-01**

(52) **U.S. Cl.** ..... **D23/249; D23/238; D23/255**

(58) **Field of Classification Search** ..... **D23/238-257; 4/675-678; 137/801**

See application file for complete search history.

(56) **References Cited**

**U.S. PATENT DOCUMENTS**

D87,328 S	7/1932	Brotz	
D285,597 S	9/1986	Miller et al.	
D288,835 S	3/1987	Yost	
D312,495 S	11/1990	Joerger	
D314,813 S	2/1991	Jans	
D318,906 S	8/1991	Spangler	
D320,645 S	10/1991	Knapp et al.	
D350,390 S	9/1994	Bollenbacher	
D351,218 S	10/1994	Sieger	
D352,095 S *	11/1994	Bollenbacher	..... D23/255
D364,215 S	11/1995	Starck	
D364,218 S	11/1995	Hill et al.	
D376,413 S	12/1996	Kergoet	
D377,517 S *	1/1997	Doughty et al.	..... D23/255
D387,133 S	12/1997	Donahue et al.	

D406,323 S	3/1999	Snyder	
D409,292 S	5/1999	Hyde et al.	
D426,873 S	6/2000	Milrud et al.	
D428,973 S	8/2000	Spangler	
D429,317 S	8/2000	Spangler	
D429,318 S	8/2000	Spangler	
D429,523 S	8/2000	Spangler	
D429,800 S *	8/2000	Spangler	..... D23/255

(Continued)

*Primary Examiner*—Louis S. Zarfes

*Assistant Examiner*—G. Andoll

(74) *Attorney, Agent, or Firm*—Calfee, Halter & Griswold LLP

(57) **CLAIM**

The ornamental design for a spout portion, as shown and described.

**DESCRIPTION**

FIG. 1 is a perspective view of a spout portion of the new design;

FIG. 2 is a front elevational view of the spout portion of FIG. 1;

FIG. 3 is a rear elevational view of the spout portion of FIG. 1;

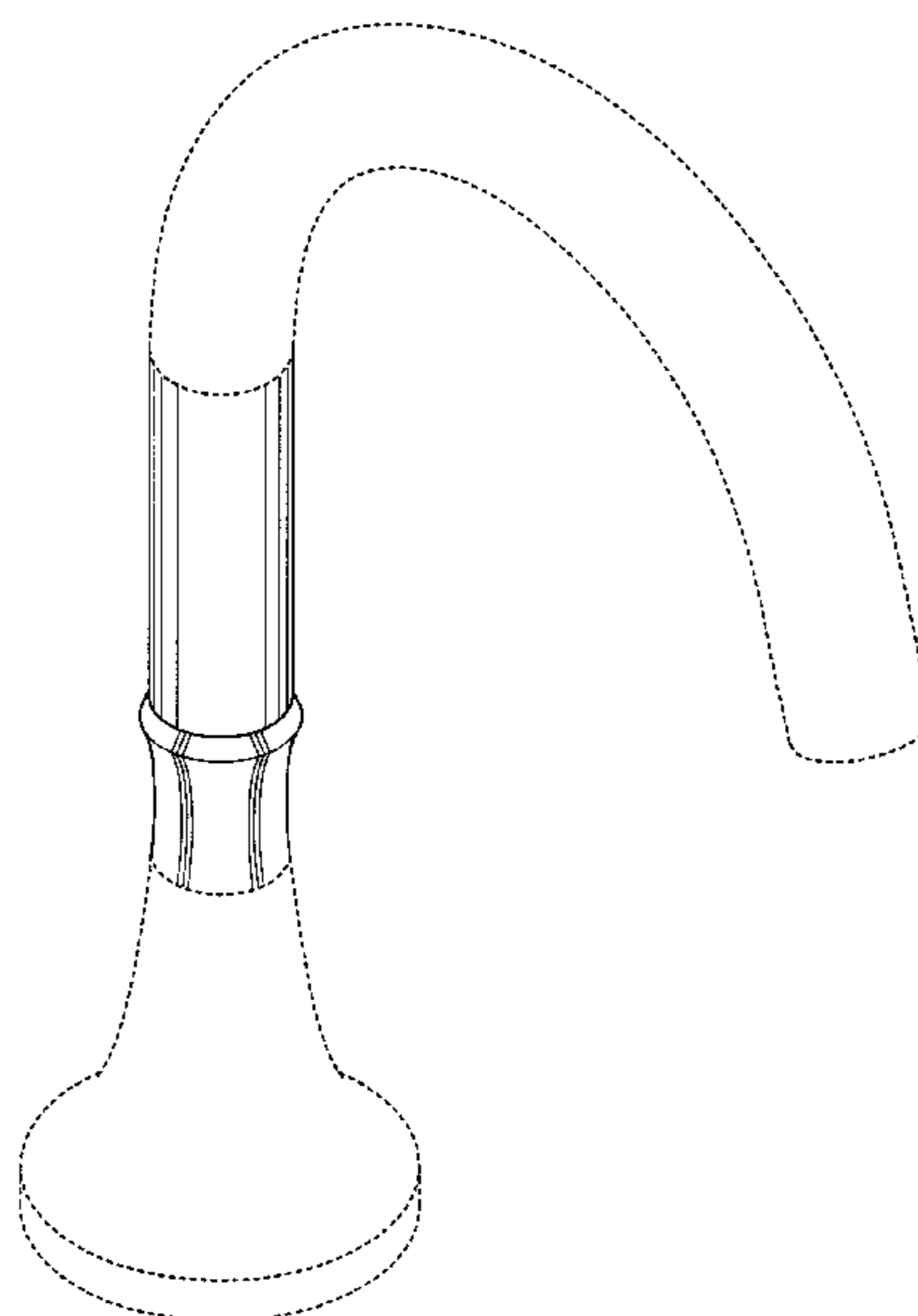
FIG. 4 is a left side elevational view of the spout portion of FIG. 1;

FIG. 5 is a right side elevational view of the spout portion of FIG. 1;

FIG. 6 is a top plan view of the spout portion of FIG. 1; and, FIG. 7 is a bottom plan view of the spout portion of FIG. 1.

The portions of the Figures shown in broken lines are not part of the claimed design and are for illustration only.

**1 Claim, 5 Drawing Sheets**



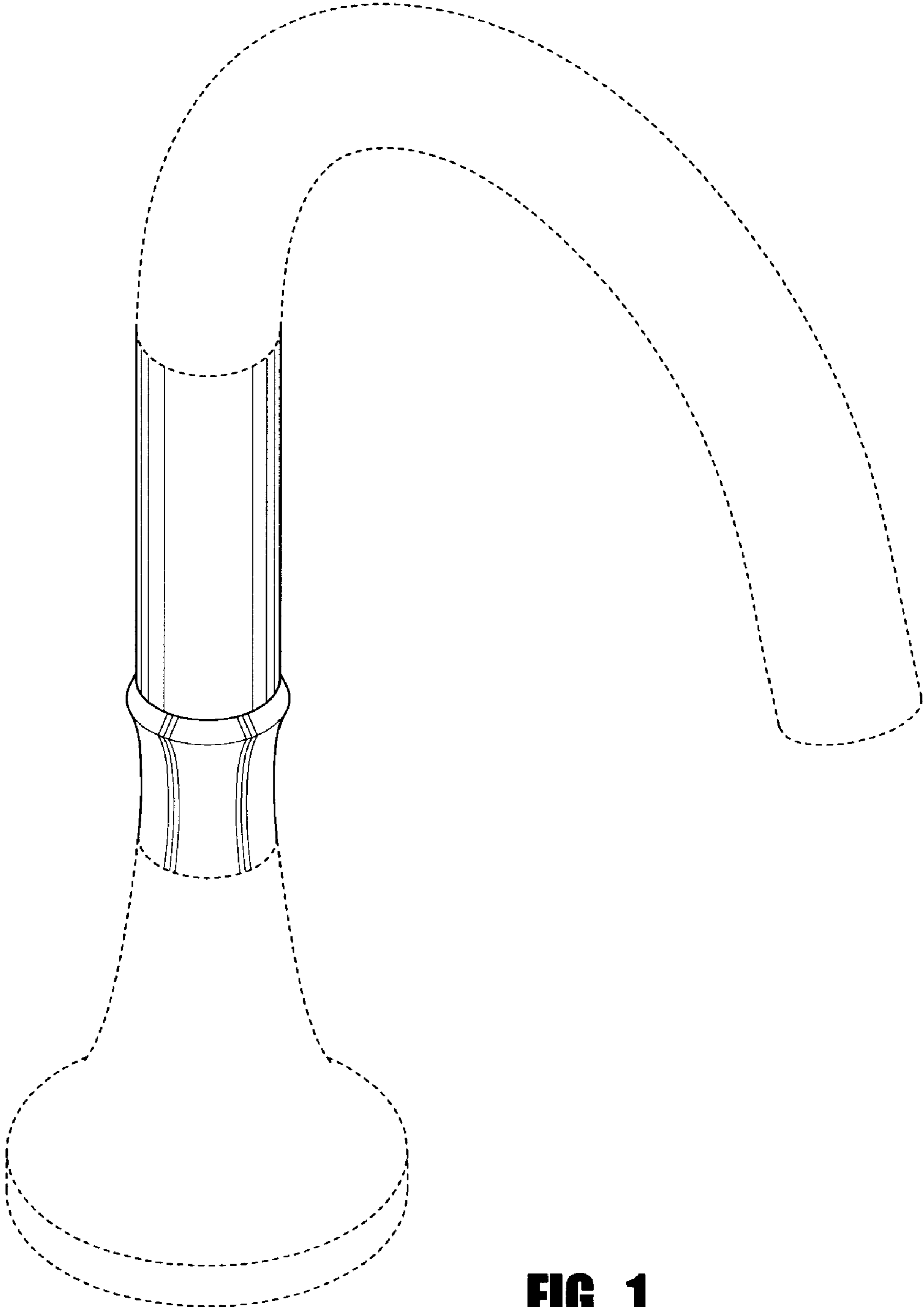
# US D549,304 S

Page 2

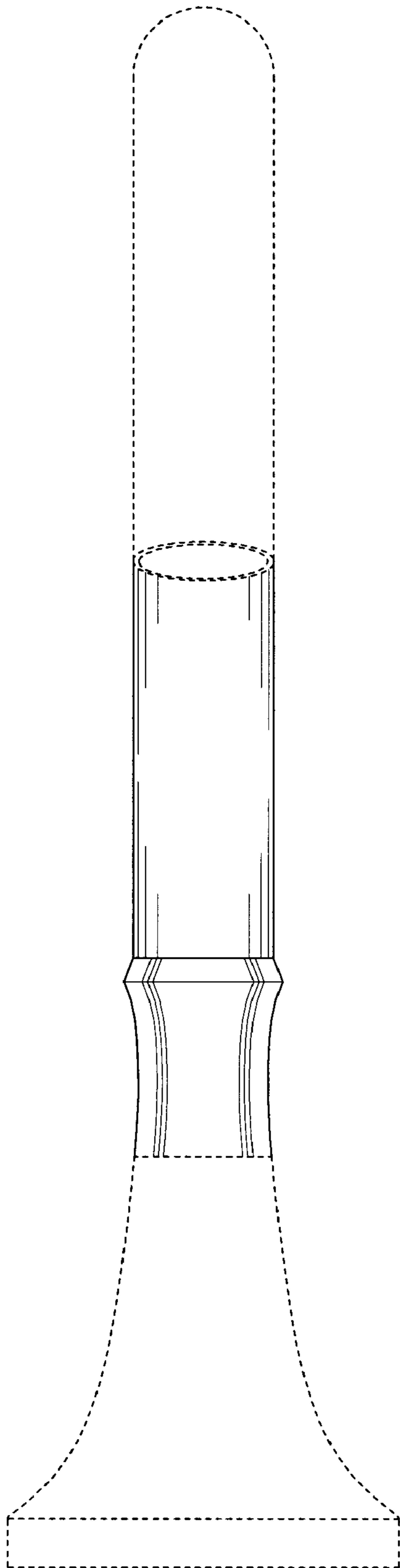
## U.S. PATENT DOCUMENTS

D438,286 S	2/2001	Mark et al.	D487,924 S	3/2004	Lin	
D438,602 S	3/2001	Milrud et al.	D487,925 S	3/2004	Lin	
D438,934 S	3/2001	Mark et al.	D488,540 S	4/2004	Ouyoung	
D440,635 S	4/2001	Fleischmann	D488,541 S	4/2004	Lin	
D441,433 S	5/2001	Spangler	D488,542 S	4/2004	Spiegelberg et al.	
D457,224 S	5/2002	Gottwald	D490,504 S	5/2004	Lin	
D457,939 S	5/2002	Gottwald	D491,639 S	6/2004	Egee	
D463,848 S	10/2002	Haug et al.	D492,014 S	6/2004	Lin	
D465,558 S	11/2002	Ouyoung	6,757,921 B2	7/2004	Esche	
D469,510 S	1/2003	Marshall	D497,409 S	10/2004	Valfridson	
D470,224 S	2/2003	Hanna	6,802,334 B2	10/2004	Ericsson	
D470,916 S	2/2003	Friedrich	D499,795 S	12/2004	Bayer	
D473,630 S	4/2003	Wettstein et al.	D503,777 S	4/2005	Costello et al.	
D475,125 S	5/2003	Marinov	D532,085 S *	11/2006	Svendsen et al. ....	D23/241
D487,923 S	3/2004	Fraser et al.	D535,366 S *	1/2007	Sedwick .....	D23/255

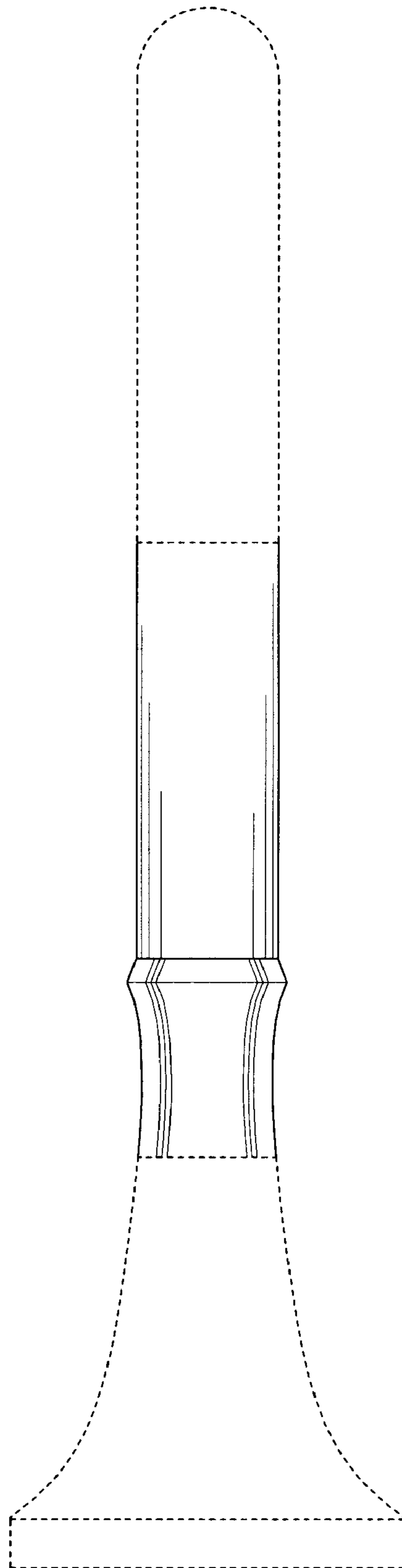
\* cited by examiner



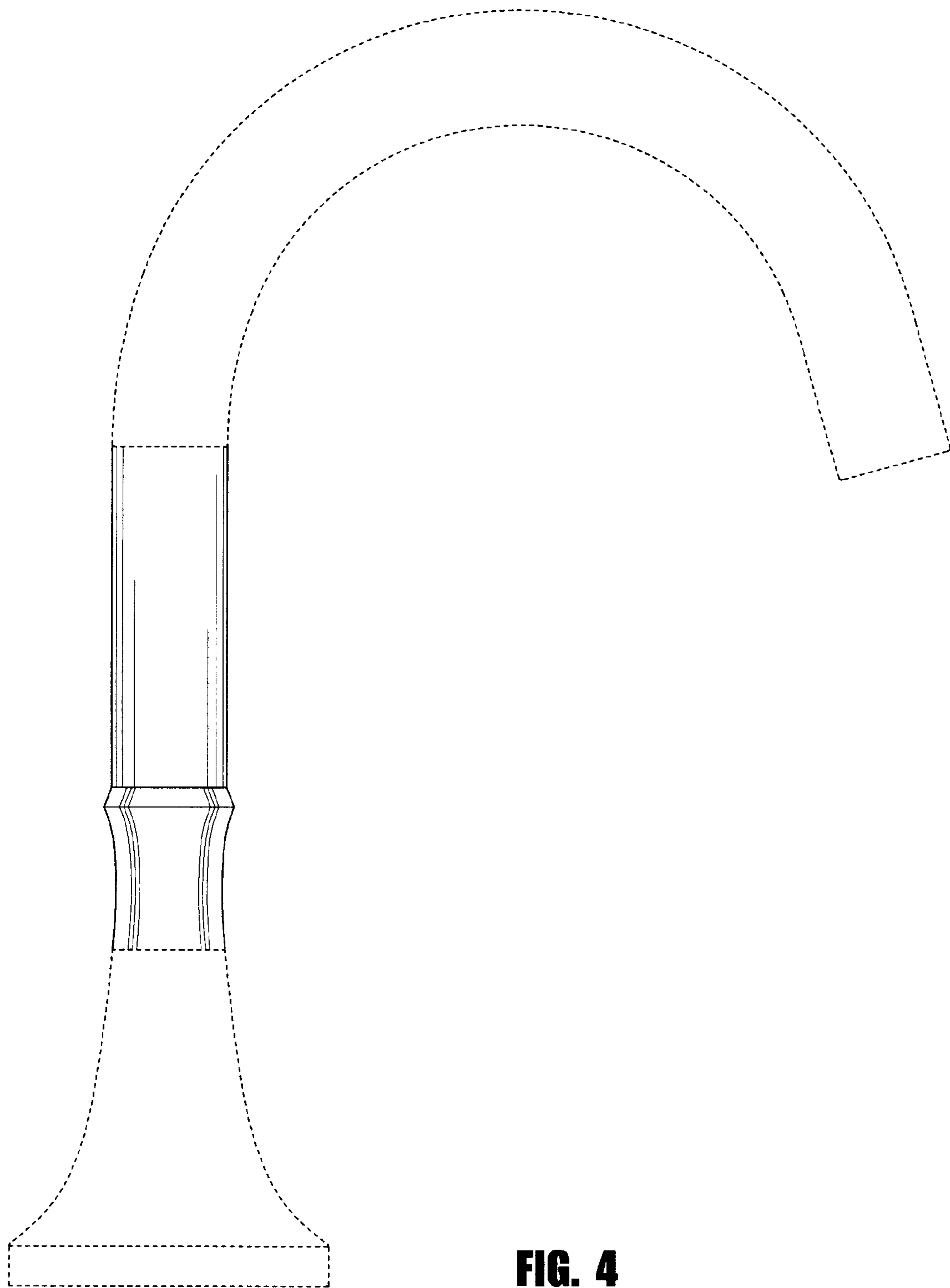
**FIG. 1**



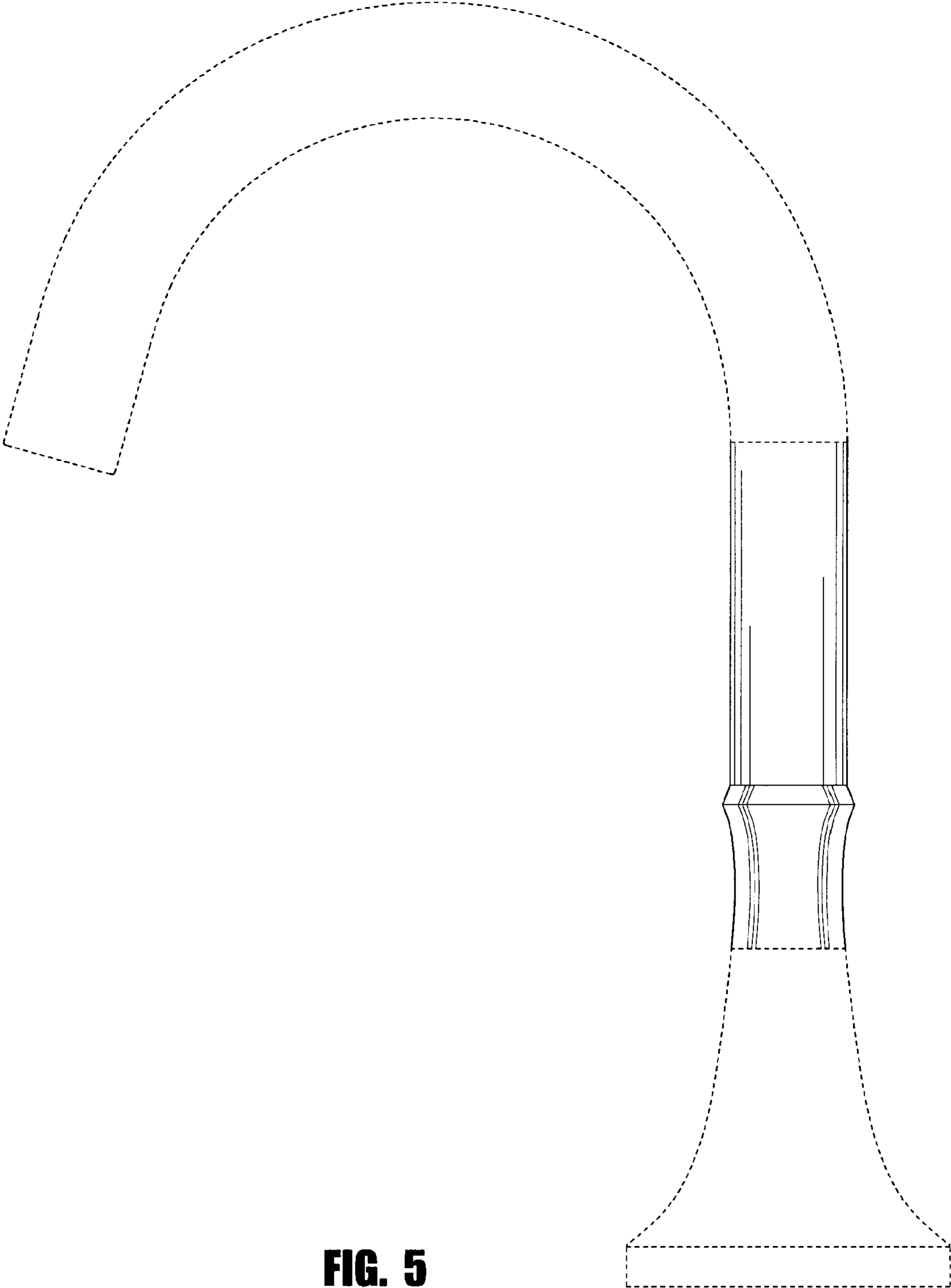
**FIG. 2**



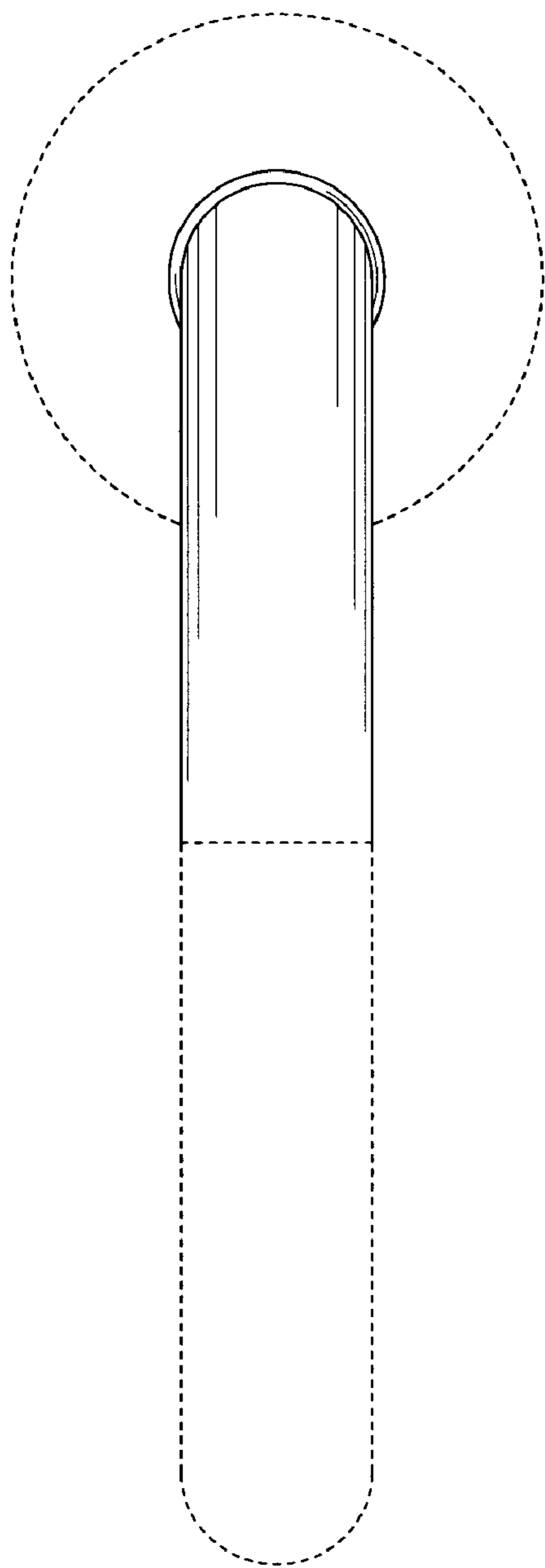
**FIG. 3**



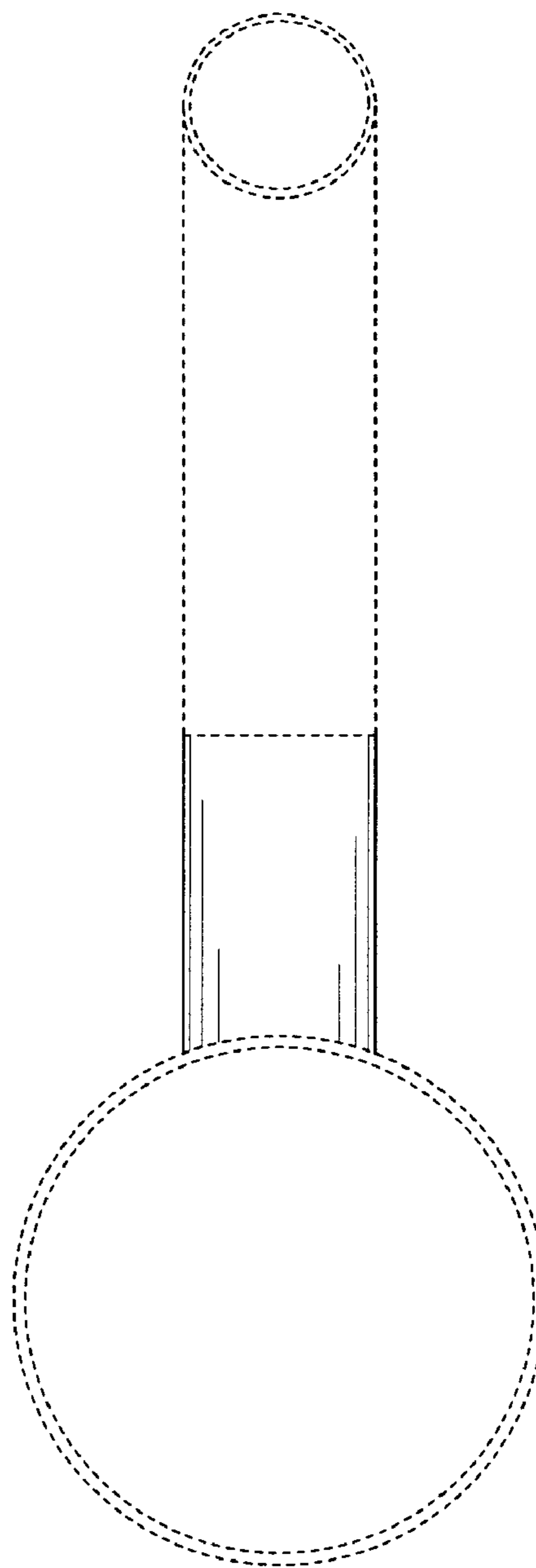
**FIG. 4**



**FIG. 5**



**FIG. 6**



**FIG. 7**