



US00D549303S

(12) **United States Design Patent**  
**Green**

(10) **Patent No.:** **US D549,303 S**

(45) **Date of Patent:** **\*\* Aug. 21, 2007**

(54) **FAUCET HUB**

(75) Inventor: **Eric Green**, St. Joseph, MI (US)

(73) Assignee: **Moen Incorporated**, North Olmsted, OH (US)

(\*\*) Term: **14 Years**

(21) Appl. No.: **29/228,881**

(22) Filed: **Apr. 29, 2005**

(51) **LOC (8) Cl.** ..... **23-01**

(52) **U.S. Cl.** ..... **D23/249; D23/255**

(58) **Field of Classification Search** ..... **D23/238-257;**  
**4/675-678; 137/801**

See application file for complete search history.

(56) **References Cited**

**U.S. PATENT DOCUMENTS**

D33,860 S	1/1901	Glauber	
D71,266 S	10/1926	Drumm	
D72,772 S	5/1927	Kipper	
D76,560 S	* 10/1928	Smith	..... D23/241
D76,713 S	10/1928	Smith	
D76,714 S	10/1928	Smith	
D76,790 S	11/1928	Fraser	
D76,827 S	11/1928	Smith	
D76,903 S	11/1928	Smith	
D76,904 S	11/1928	Smith	
D76,925 S	11/1928	Frankenberger	
D76,995 S	11/1928	Fraser	
D78,619 S	8/1929	Frankenberger	
D92,360 S	5/1934	Albert	
D96,625 S	8/1935	Robinovitz	
D96,839 S	10/1935	Johnston	
2,096,602 A	10/1937	WeinGarten	
D126,074 S	3/1941	Judell et al.	
D163,236 S	5/1951	Young	
D274,690 S	7/1984	Cesaroni	
D287,163 S	12/1986	Piesco	
D287,395 S	* 12/1986	Piesco	..... D23/255
4,678,002 A	7/1987	Valley	
D291,236 S	8/1987	Delepine	

D298,564 S	11/1988	Paul	
D299,852 S	2/1989	Paul	
D301,918 S	6/1989	Fabian	
D303,284 S	9/1989	Paul	
D350,184 S	8/1994	Kohler, Jr.	
D405,162 S	2/1999	Doughty et al.	
D405,163 S	2/1999	Doughty et al.	
D405,509 S	2/1999	Doughty et al.	
D409,288 S	5/1999	Hyde	
D414,845 S	10/1999	Hyde	
D421,489 S	3/2000	Fabian	
D429,521 S	8/2000	Doughty et al.	
6,317,905 B1	11/2001	Slothower	
D455,195 S	4/2002	McKeone	
D456,063 S	* 4/2002	McKeone	..... D23/249
D461,536 S	8/2002	Singtoroj	

(Continued)

*Primary Examiner*—Louis S. Zarfaz

*Assistant Examiner*—Gregory Andoll

(74) *Attorney, Agent, or Firm*—Calfee, Halter & Griswold LLP

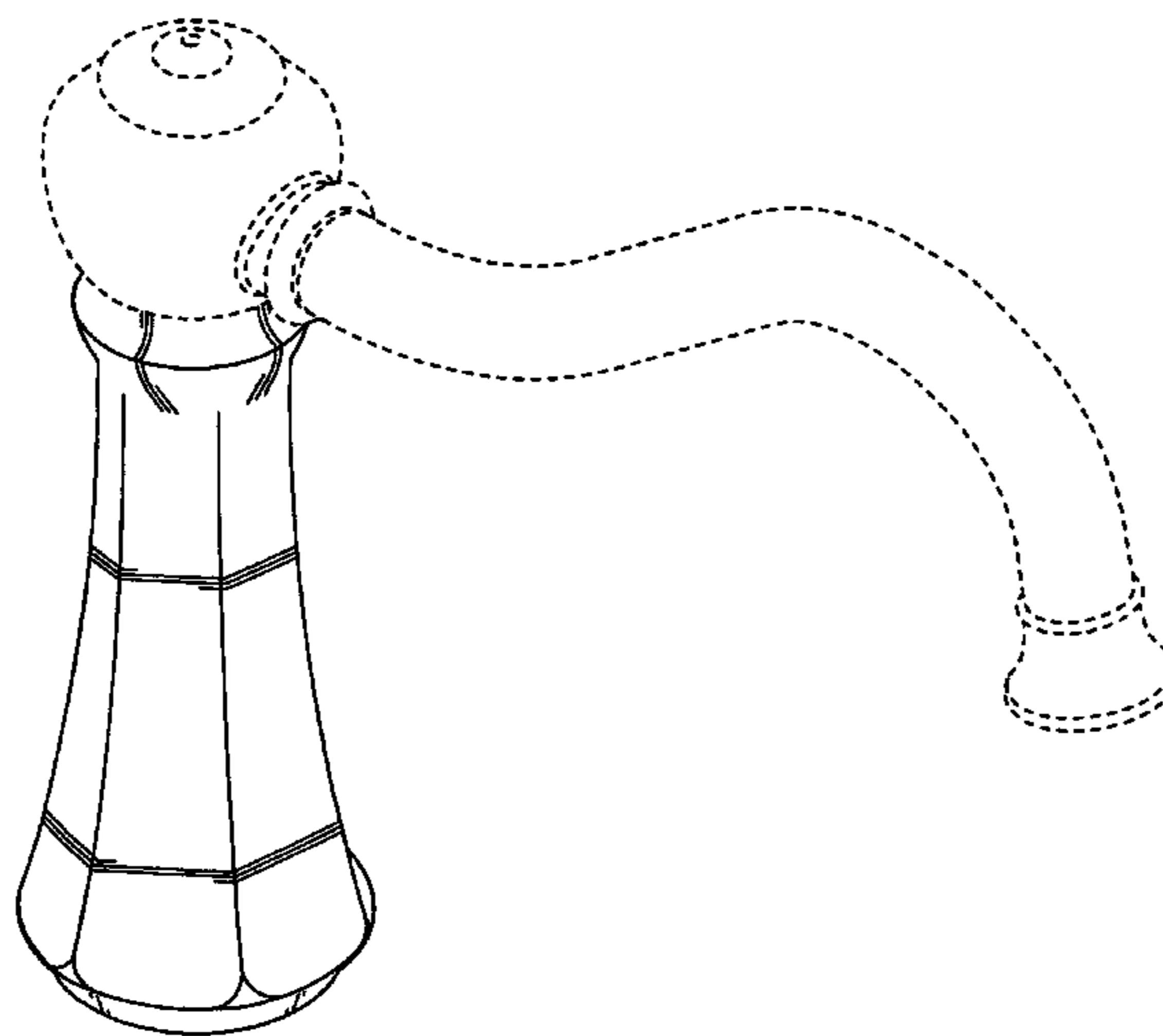
(57) **CLAIM**

The ornamental design for a faucet hub, as shown and described.

**DESCRIPTION**

FIG. 1 is a perspective view of a faucet hub of the new design;  
 FIG. 2 is a front elevational view of the faucet hub of FIG. 1;  
 FIG. 3 is a rear elevational view of the faucet hub of FIG. 1;  
 FIG. 4 is a left side elevational view of the faucet hub of FIG. 1;  
 FIG. 5 is a right side elevational view of the faucet hub of FIG. 1;  
 FIG. 6 is a top plan view of the faucet hub of FIG. 1; and,  
 FIG. 7 is a bottom plan view of the faucet hub of FIG. 1.  
 The portions of the Figures shown in broken lines are not part of the claimed design but are for illustration only.

**1 Claim, 5 Drawing Sheets**



# US D549,303 S

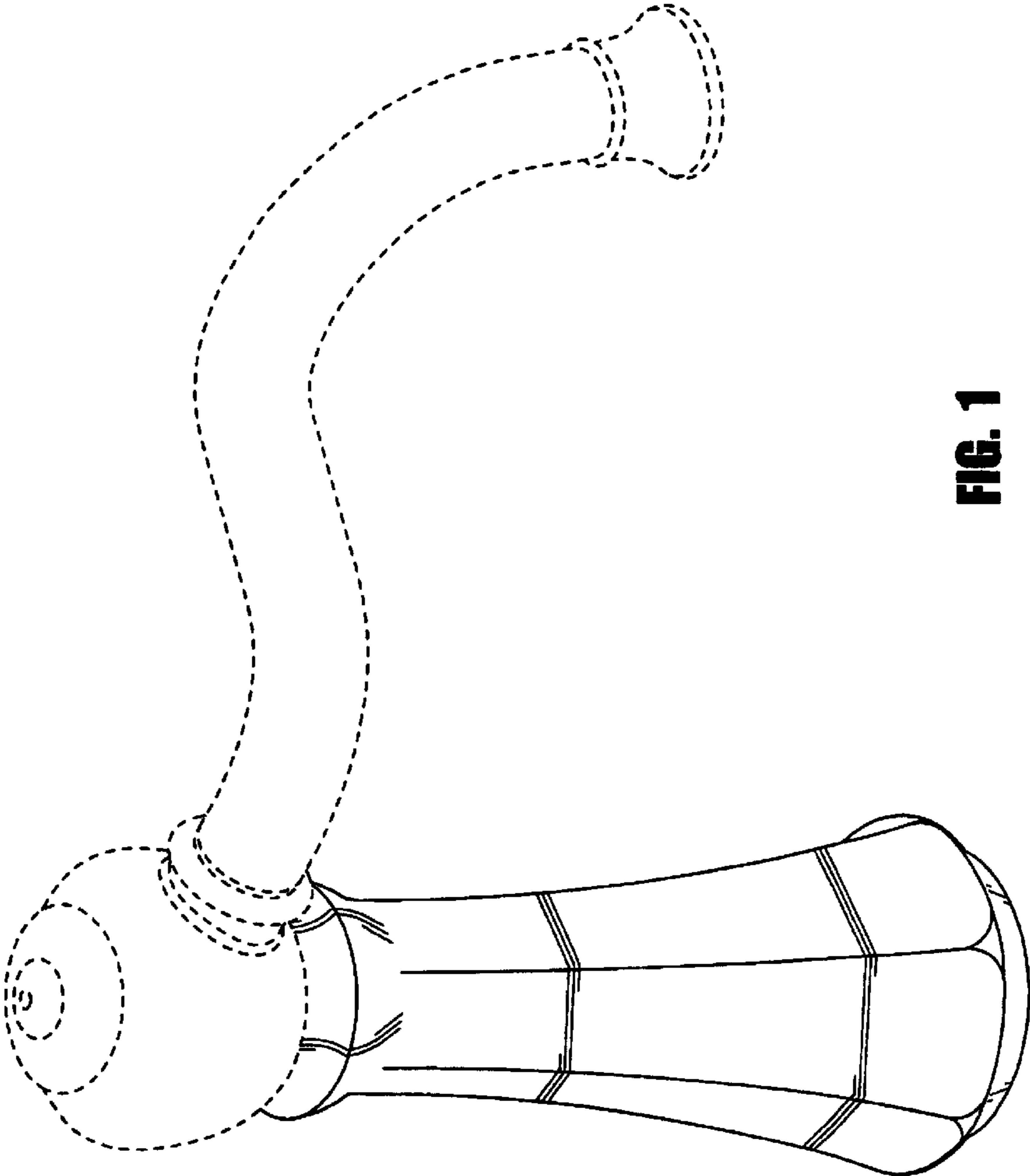
Page 2

---

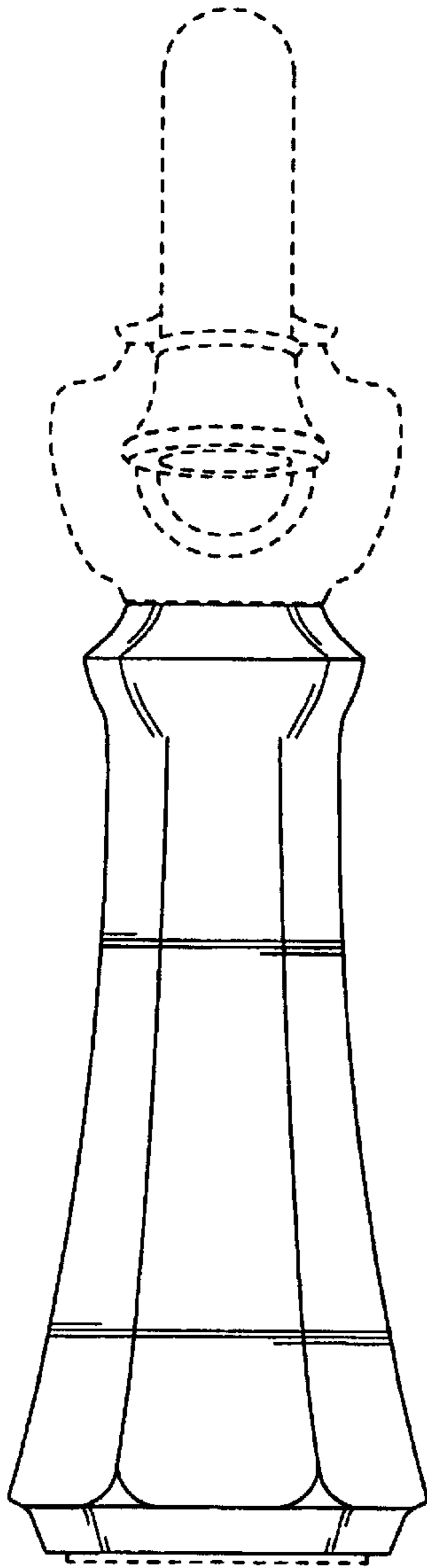
## U.S. PATENT DOCUMENTS

D465,265 S	11/2002	Czerwinski, Jr. et al.	D475,766 S	6/2003	Tolosa	
D466,986 S	12/2002	Singtoroj et al.	D476,064 S	6/2003	Smith	
D468,405 S	* 1/2003	McKeone ..... D23/249	D484,951 S	1/2004	Lin	
D474,671 S	5/2003	Singtoroj et al.	D532,083 S	* 11/2006	Green .....	D23/238

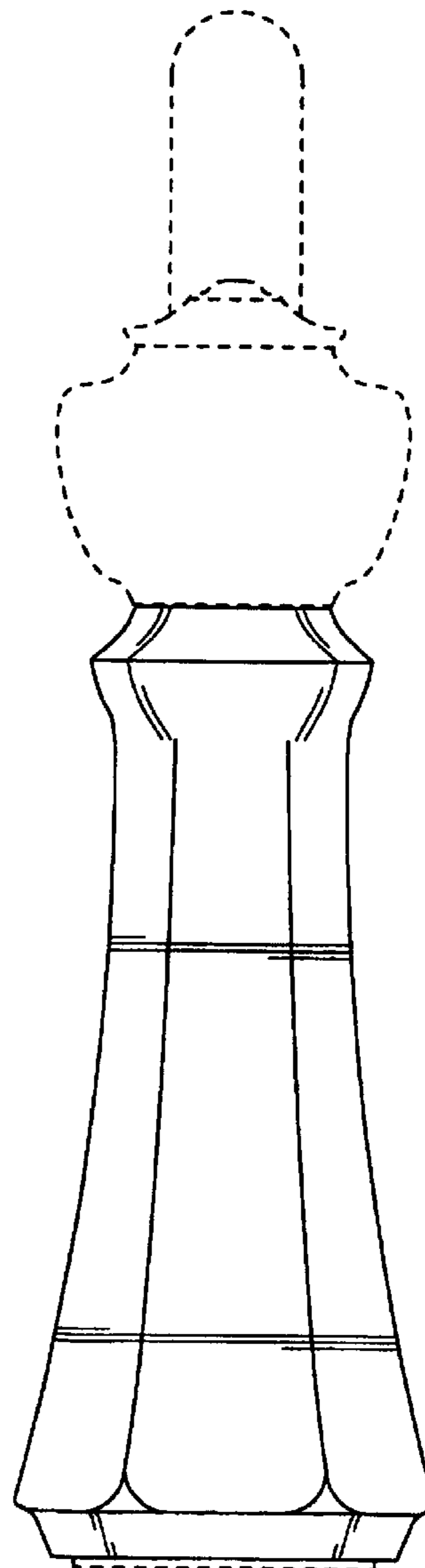
\* cited by examiner



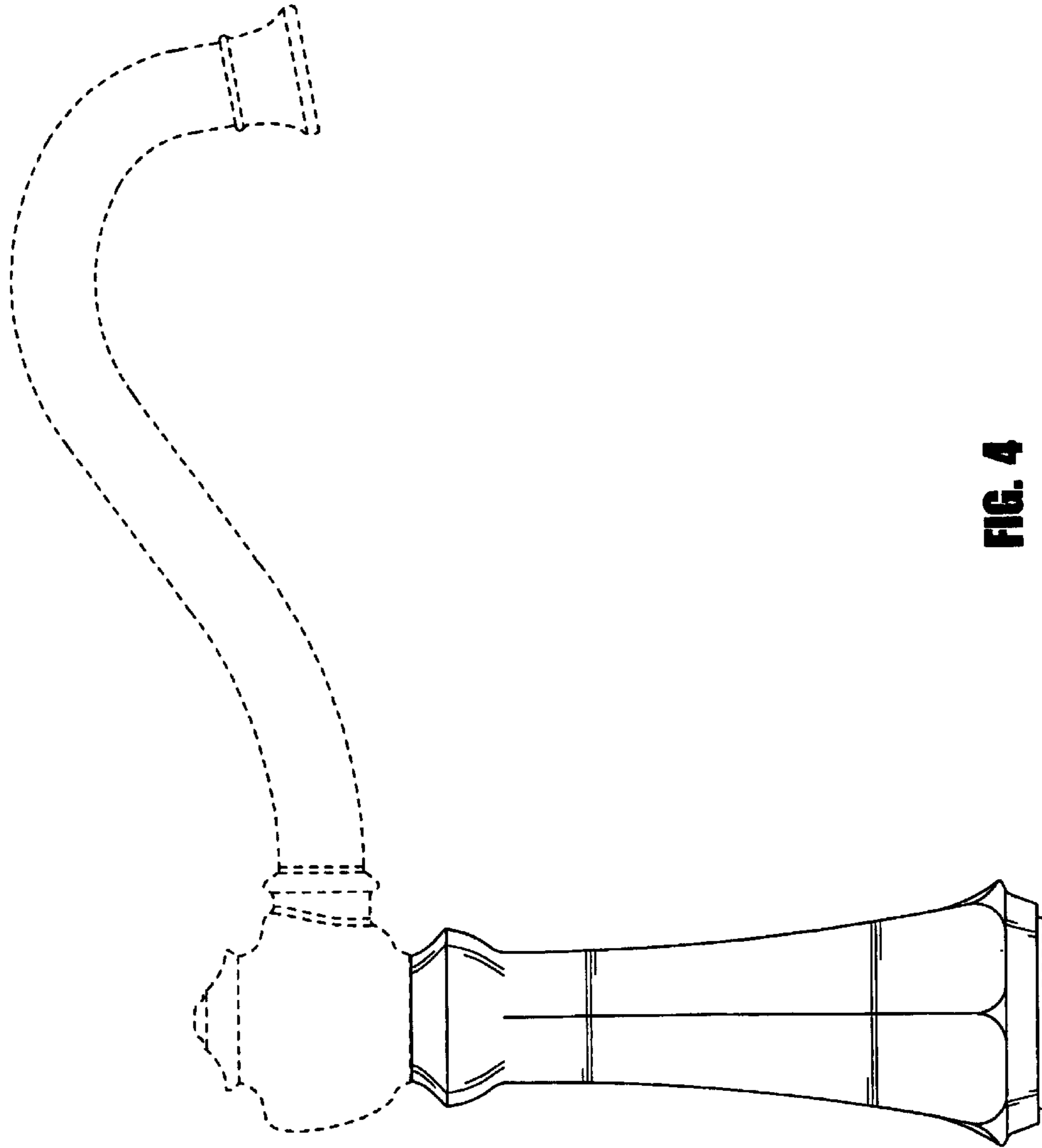
**FIG. 1**



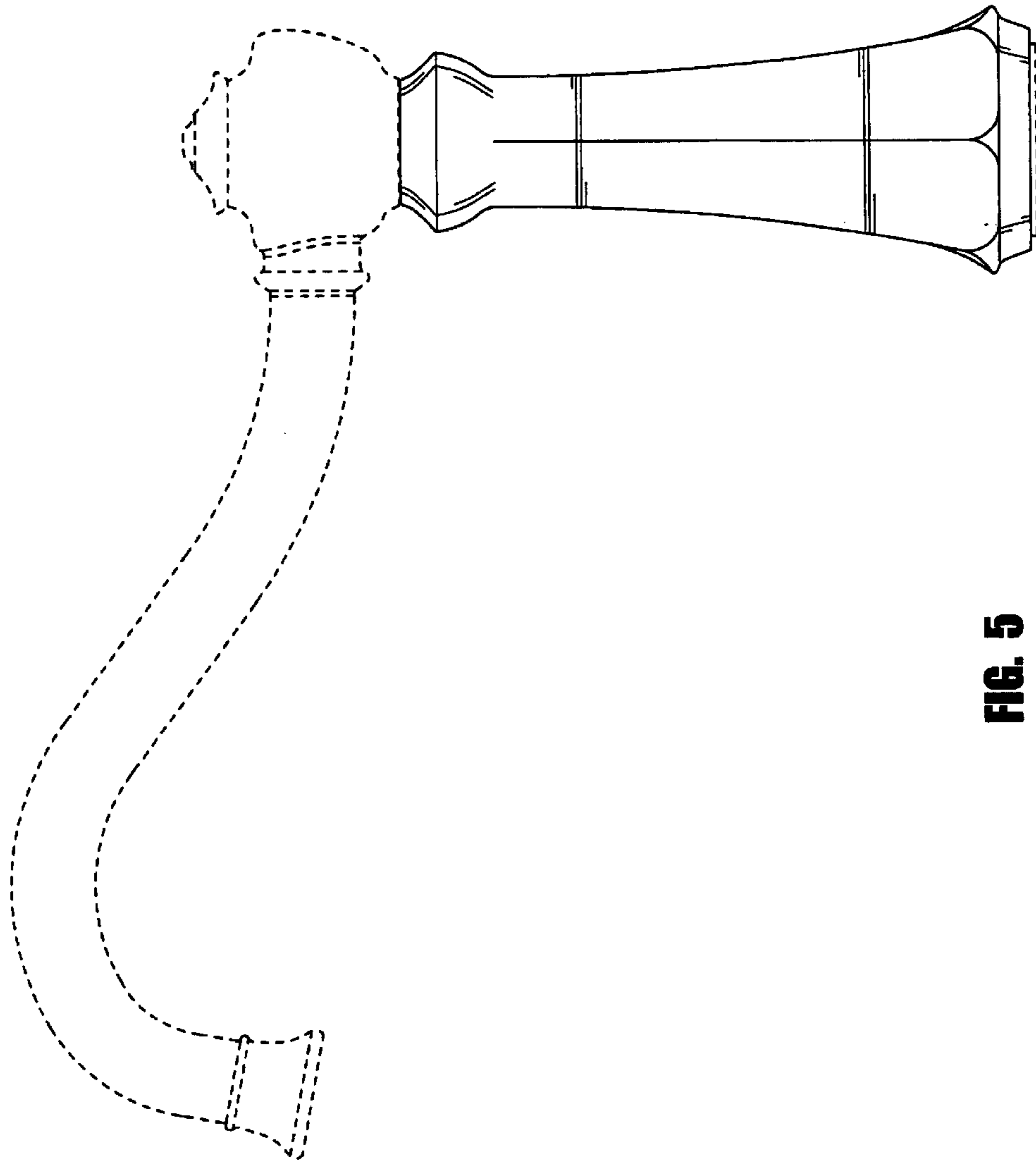
**FIG. 2**



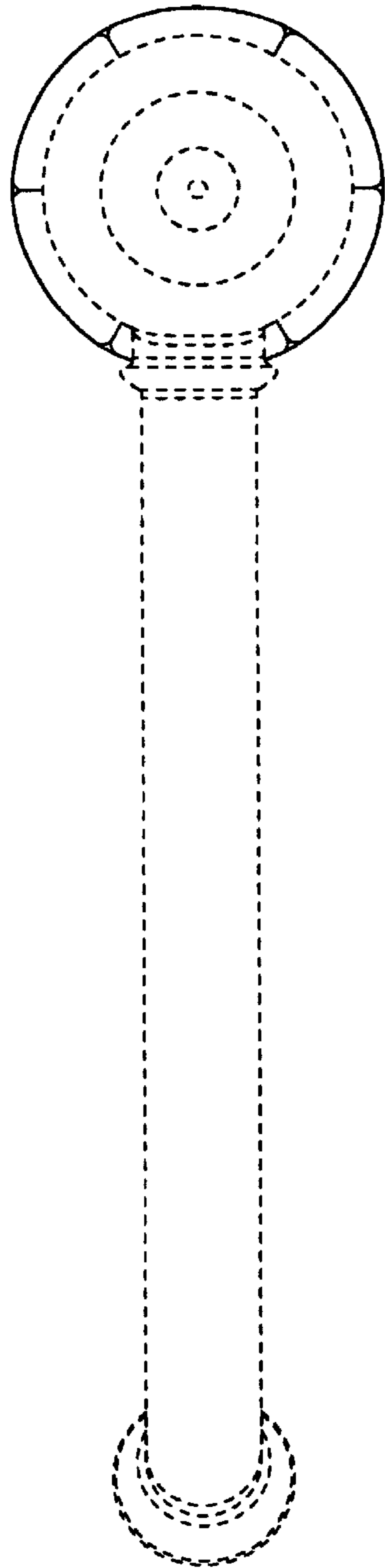
**FIG. 3**



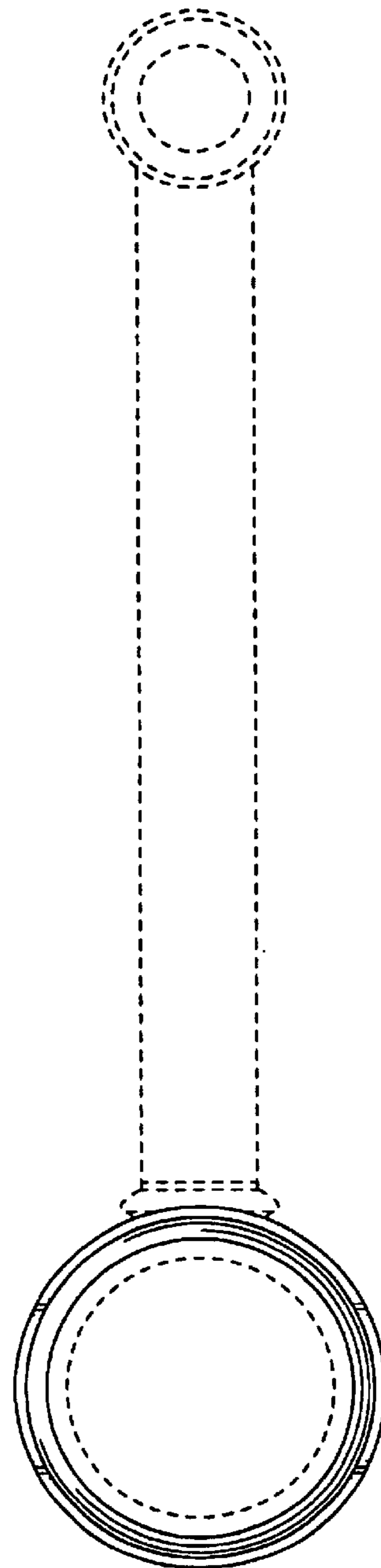
**FIG. 4**



**FIG. 5**



**FIG. 6**



**FIG. 7**