

US00D549297S

(12) **United States Design Patent** (10) **Patent No.:** **US D549,297 S**
Eagan (45) **Date of Patent:** **** Aug. 21, 2007**

(54) **FLOTATION THERAPY DEVICE**

(76) Inventor: **Patricia D. Eagan**, 20 Douglas Rd.,
Chappaqua, NY (US) 10514

(**) Term: **14 Years**

(21) Appl. No.: **29/264,589**

(22) Filed: **Aug. 14, 2006**

Related U.S. Application Data

(62) Division of application No. 29/214,323, filed on Sep. 30, 2004, now Pat. No. Des. 537,142.

(51) **LOC (8) Cl.** **12-02**

(52) **U.S. Cl.** **D21/803**

(58) **Field of Classification Search** D21/769-770,
D21/801, 803, 809; D6/392, 596, 601, 604;
472/128-129; D12/5, 6, 316; 114/253, 345-346;
441/35, 66, 40-42, 129-132

See application file for complete search history.

(56) **References Cited**

U.S. PATENT DOCUMENTS

264,814	A *	9/1882	Wood	441/127
D349,625	S *	8/1994	daPalma	D6/596
5,360,360	A *	11/1994	Peterson	441/130
5,628,658	A *	5/1997	Clifford	441/130
D389,362	S *	1/1998	Boulatian	D6/608
D404,207	S *	1/1999	Rubinstein	D4/113
5,970,546	A *	10/1999	Danis	5/636

D420,845	S *	2/2000	Rumage	D6/601
D422,444	S *	4/2000	Lenahan et al.	D6/601
6,148,460	A *	11/2000	Fried et al.	5/661
6,253,400	B1 *	7/2001	Rudt-Sturzenegger et al.	5/655
6,276,979	B1 *	8/2001	Saltel et al.	441/132
D450,517	S *	11/2001	Darling et al.	D6/601
6,397,414	B1 *	6/2002	Lloyd	5/622
6,749,475	B2 *	6/2004	Howerton	441/132
6,971,936	B2 *	12/2005	Le Gette et al.	441/130

* cited by examiner

Primary Examiner—Janice E. Seeger

Assistant Examiner—Zenia Bennett

(74) *Attorney, Agent, or Firm*—Rodman & Rodman

(57) **CLAIM**

The ornamental design for a flotation therapy device, as shown and described.

DESCRIPTION

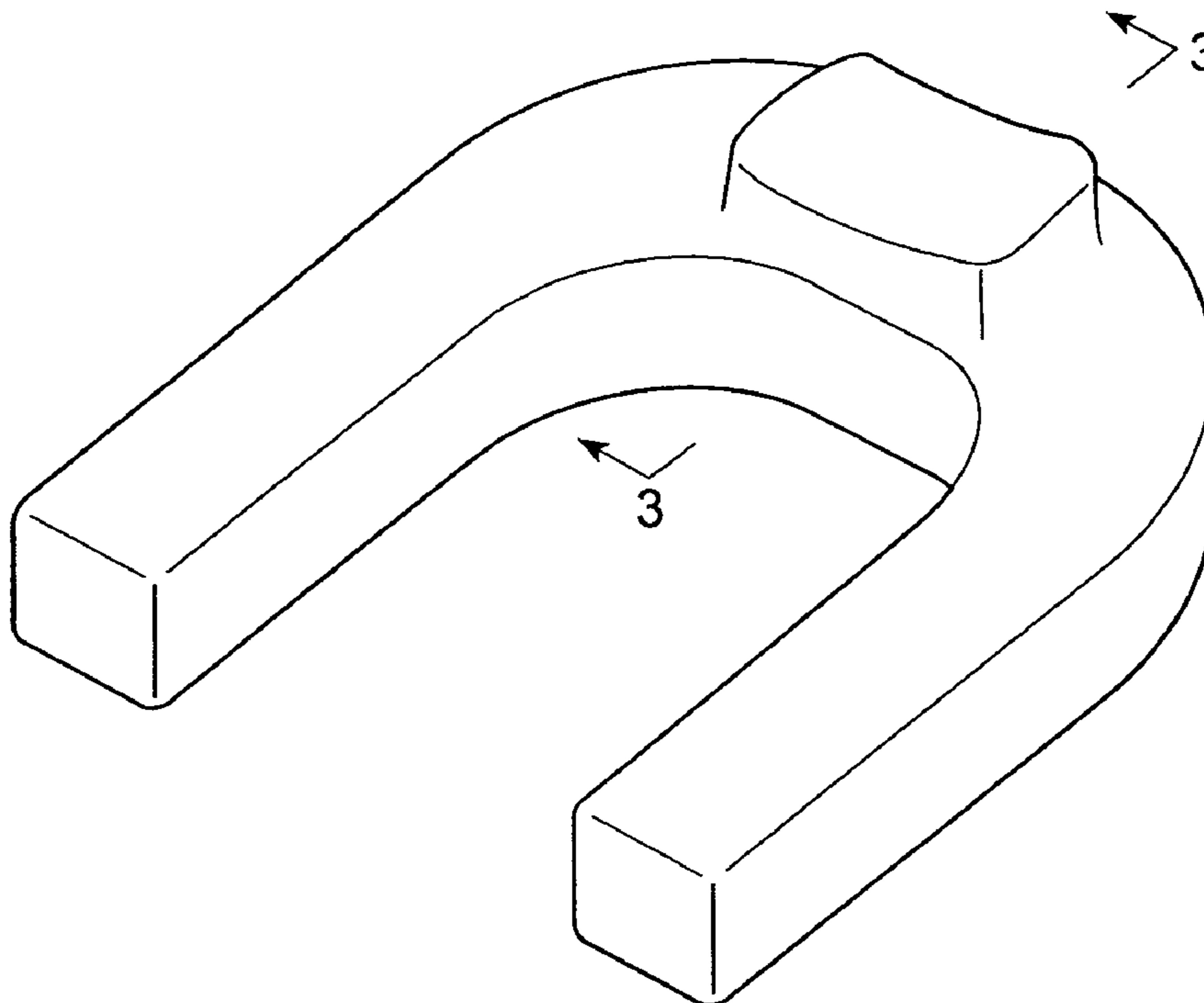
FIG. 1 is a top perspective view from the front end of the flotation therapy device incorporating my new design;

FIG. 2 is a top perspective view from the back end thereof; and,

FIG. 3 is a cross-sectional view taken on the line 3—3 of FIG. 2.

The broken lines in the drawings are for illustrative purposes only and form no part of the claimed design.

1 Claim, 2 Drawing Sheets



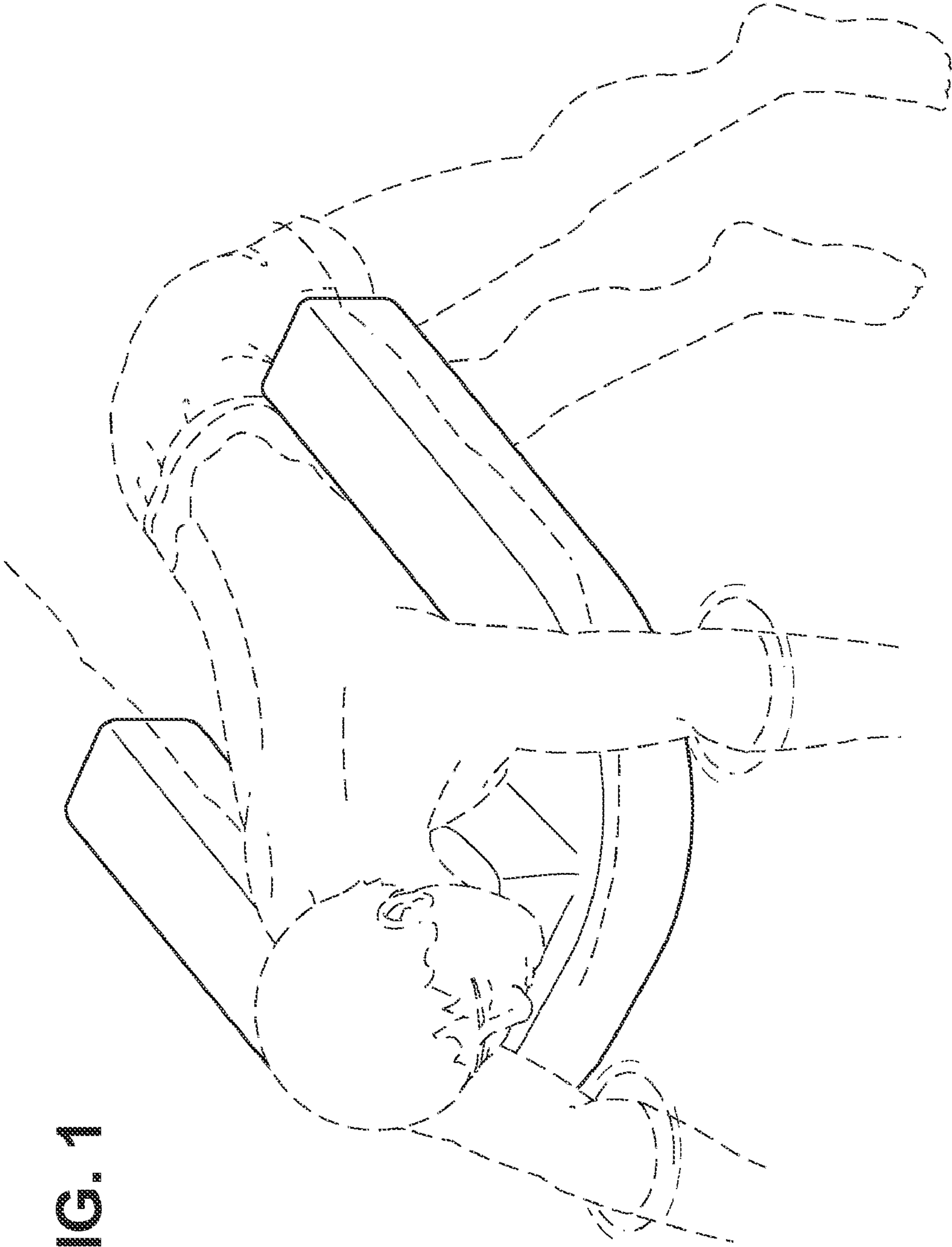


FIG. 1

FIG. 2

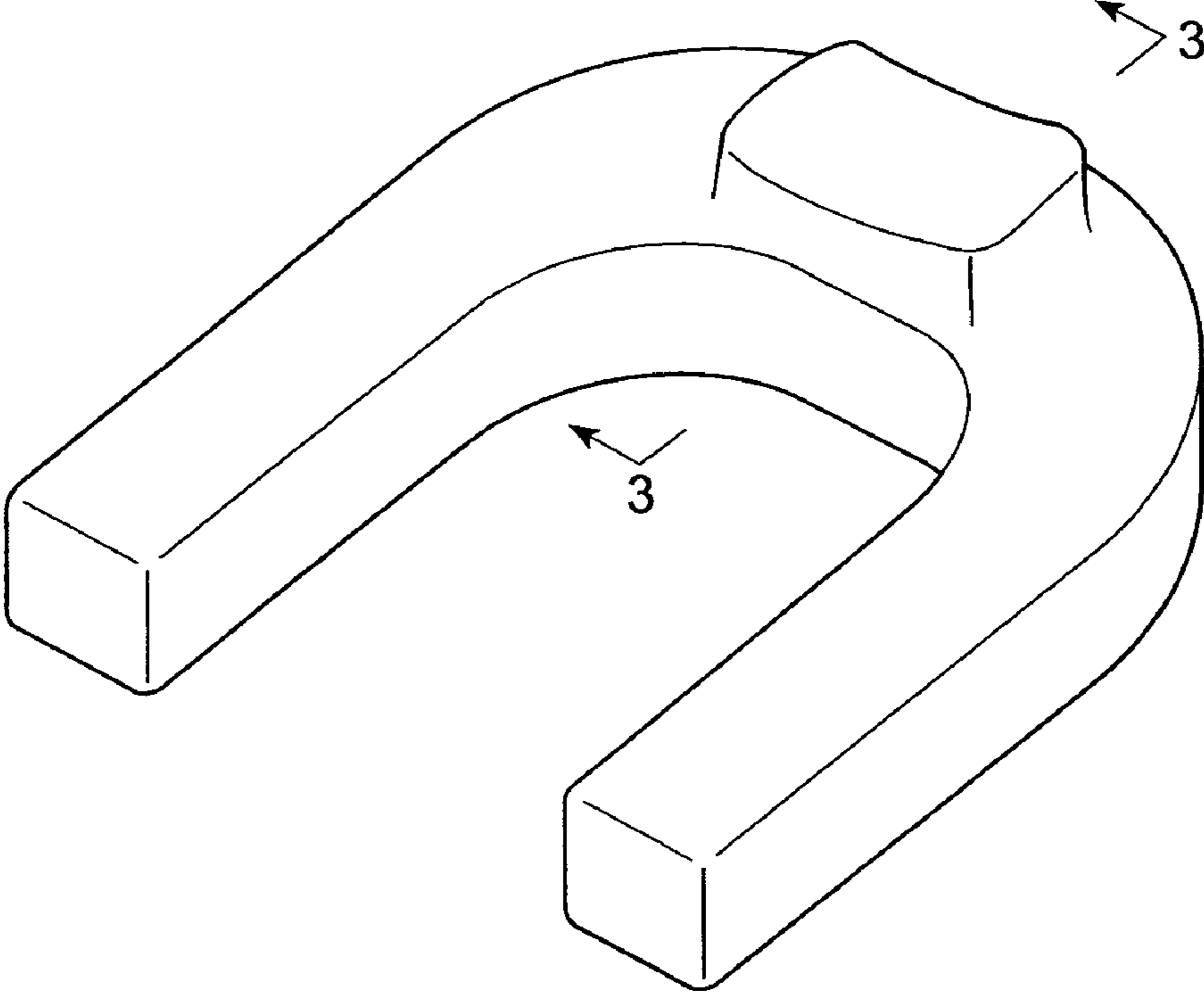


FIG. 3

