

US00D549296S

(12) **United States Design Patent**
Peterson

(10) **Patent No.:** **US D549,296 S**

(45) **Date of Patent:** **** Aug. 21, 2007**

(54) **INFLATABLE TOWABLE AQUATIC VEHICLE**

(75) Inventor: **Leroy L. Peterson**, Omaha, NE (US)

(73) Assignee: **Sportsstuff, Inc.**, Omaha, NE (US)

(**) Term: **14 Years**

(21) Appl. No.: **29/263,417**

(22) Filed: **Jul. 21, 2006**

(51) **LOC (8) Cl.** **12-02**

(52) **U.S. Cl.** **D21/803**

(58) **Field of Classification Search** D21/769-770,
D21/801, 803, 809; D6/392, 596, 601, 604;
472/128-129; D12/5, 6, 316; 114/253, 345-346;
441/35, 66, 40-42, 129-132
See application file for complete search history.

(56) **References Cited**

U.S. PATENT DOCUMENTS

264,814	A	*	9/1882	Wood	441/127
3,740,095	A	*	6/1973	Nail	297/452.41
D289,075	S	*	3/1987	Wolfe	D21/803
D299,941	S	*	2/1989	Chang	D12/306
5,360,360	A	*	11/1994	Peterson	441/130
D371,252	S	*	7/1996	Chaput	D6/381
D375,991	S	*	11/1996	Peterson	D21/803

D465,761	S	*	11/2002	Peterson	D12/316
D466,176	S	*	11/2002	Peterson	D21/803
D466,835	S	*	12/2002	Peterson	D12/11
D467,216	S	*	12/2002	Peterson	D12/316
D501,112	S	*	1/2005	Kasatshko et al.	D6/604
D538,875	S	*	3/2007	Rockstad et al.	D21/803

* cited by examiner

Primary Examiner—Janice E. Seeger

Assistant Examiner—Zenia I. Bennett

(74) *Attorney, Agent, or Firm*—Sturm & Fix LLP

(57) **CLAIM**

The ornamental design for an inflatable towable aquatic vehicle, as shown and described.

DESCRIPTION

FIG. 1 is a perspective view of the inflatable towable aquatic vehicle showing my new design;

FIG. 2 is a right side elevational view thereof, the left side elevational view being a mirror image thereof;

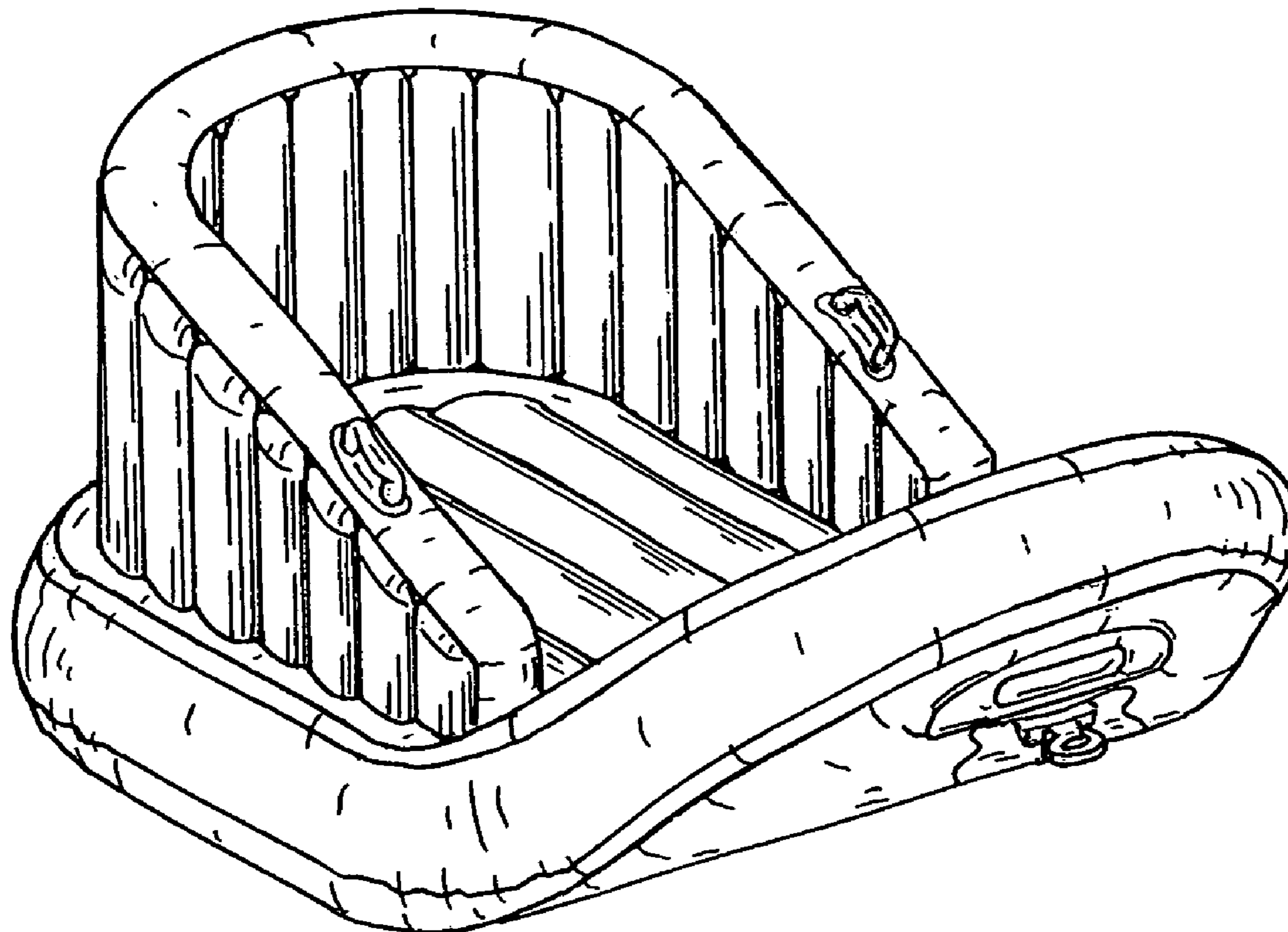
FIG. 3 is a top plan view thereof;

FIG. 4 is a front elevational view thereof;

FIG. 5 is a rear elevational view thereof; and,

FIG. 6 is a bottom plan view thereof.

1 Claim, 2 Drawing Sheets



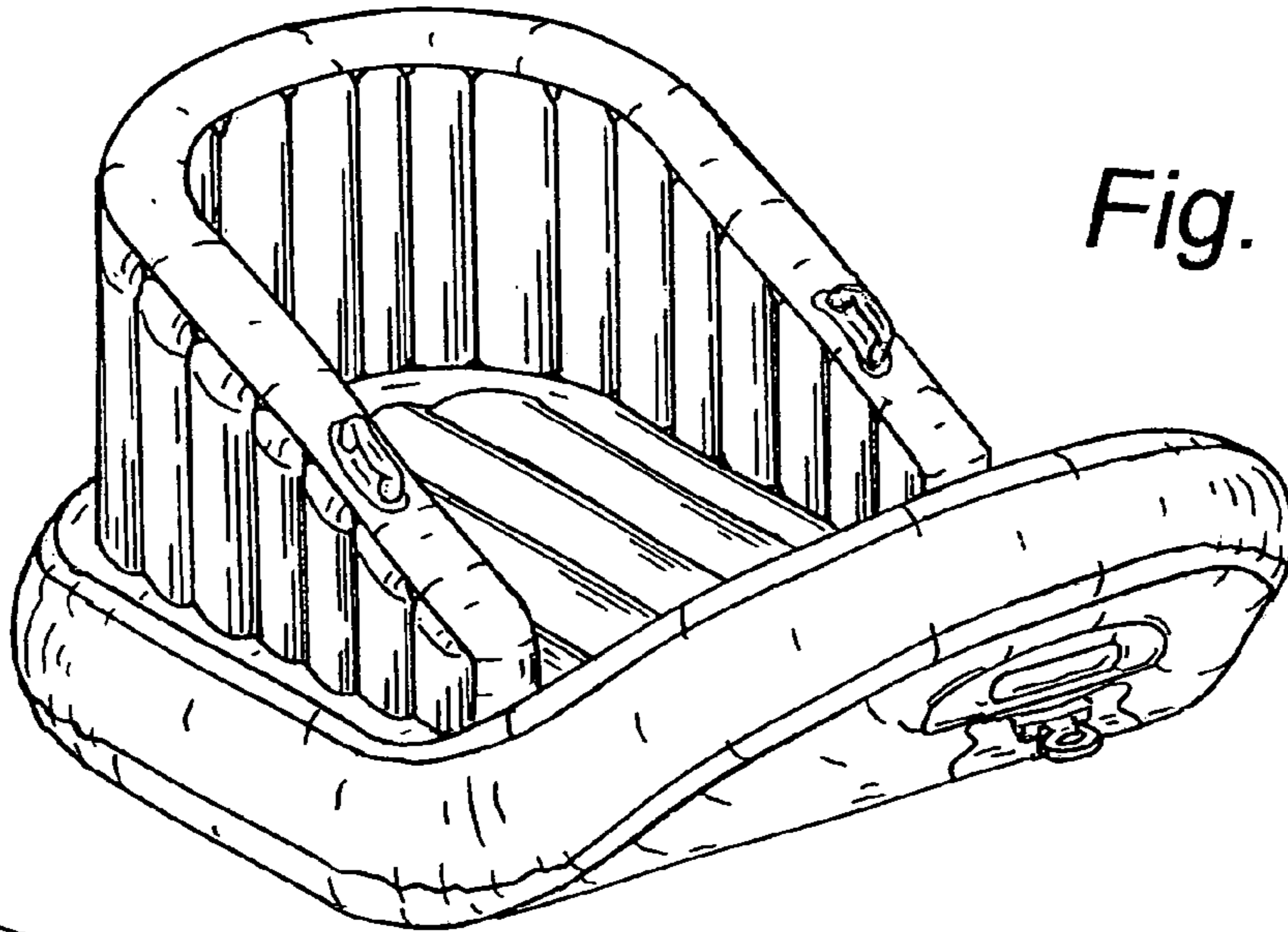


Fig. 1

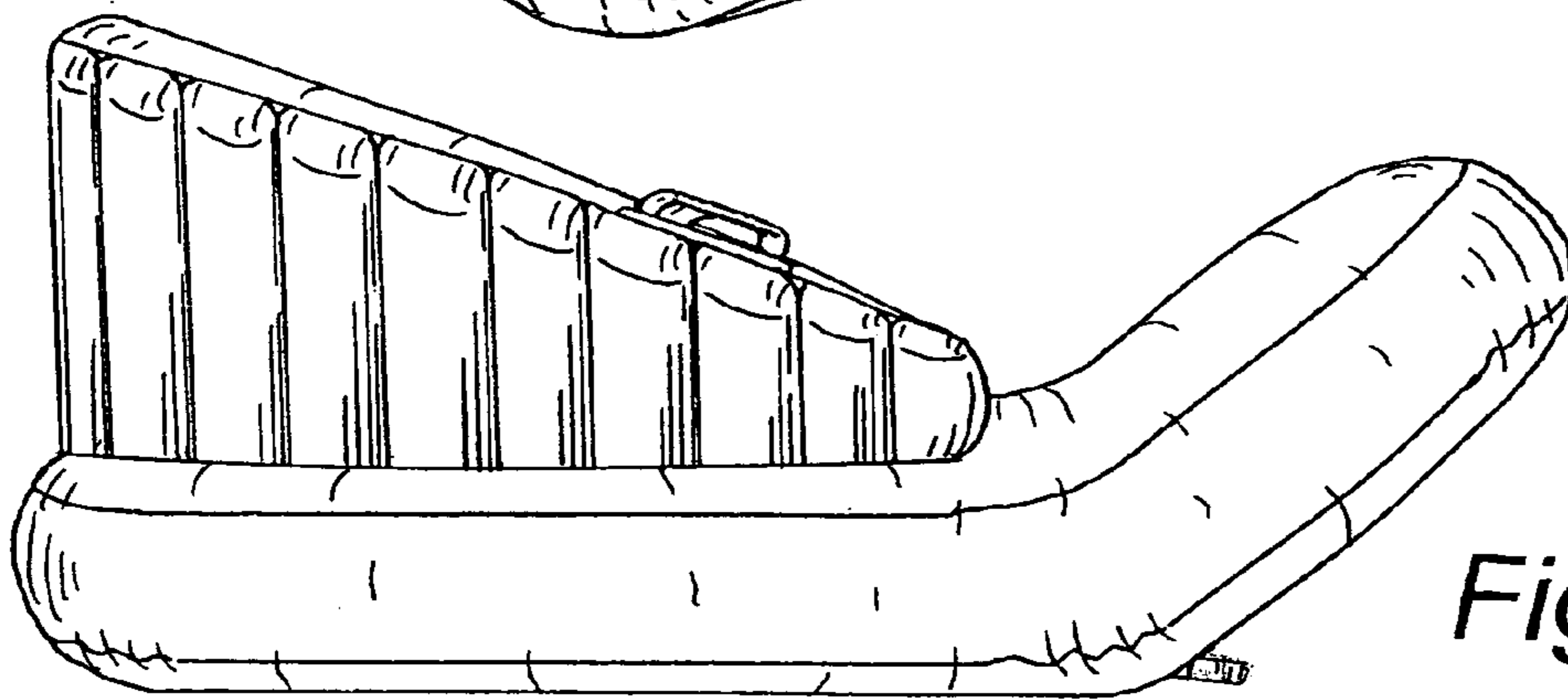


Fig. 2

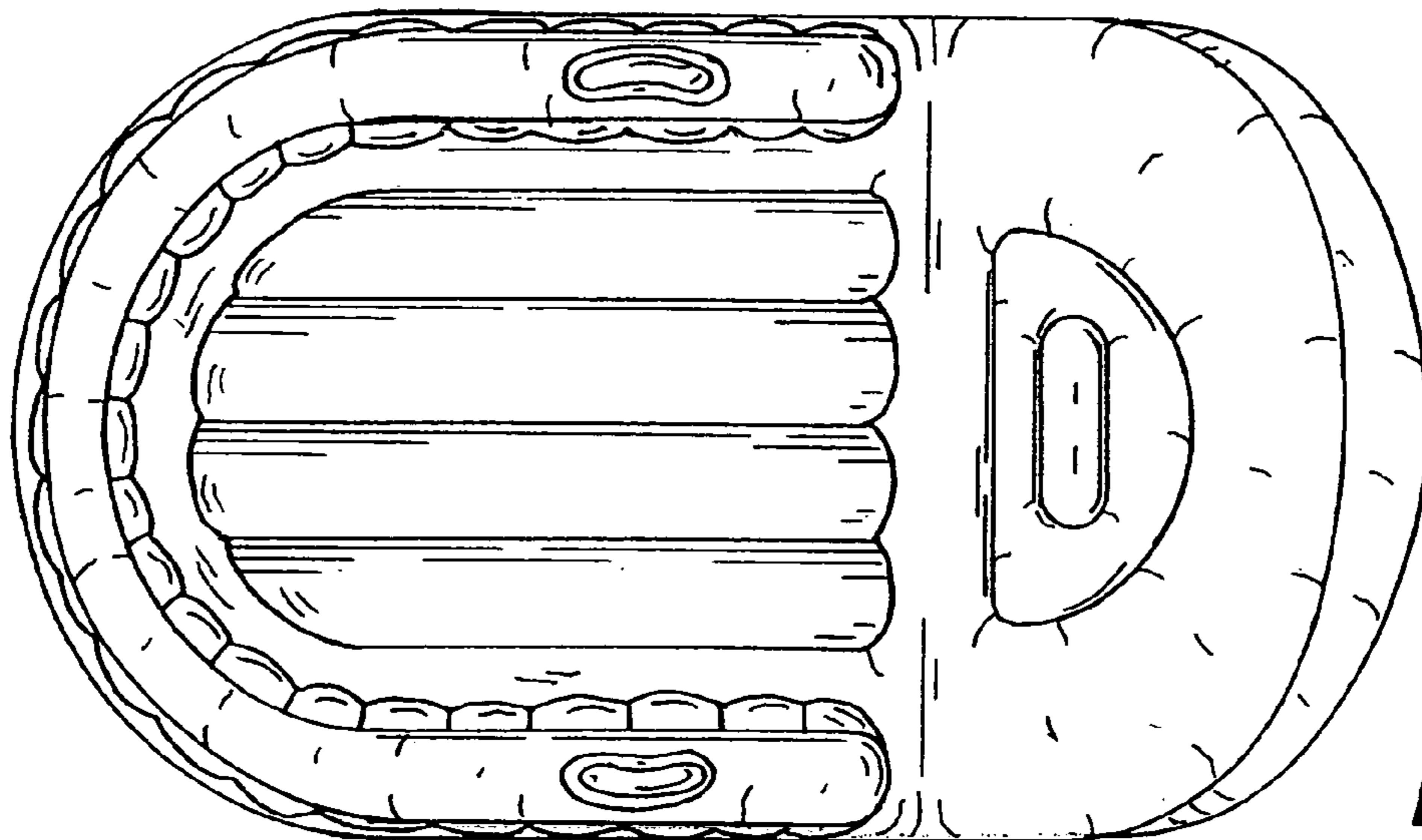


Fig. 3

Fig. 4

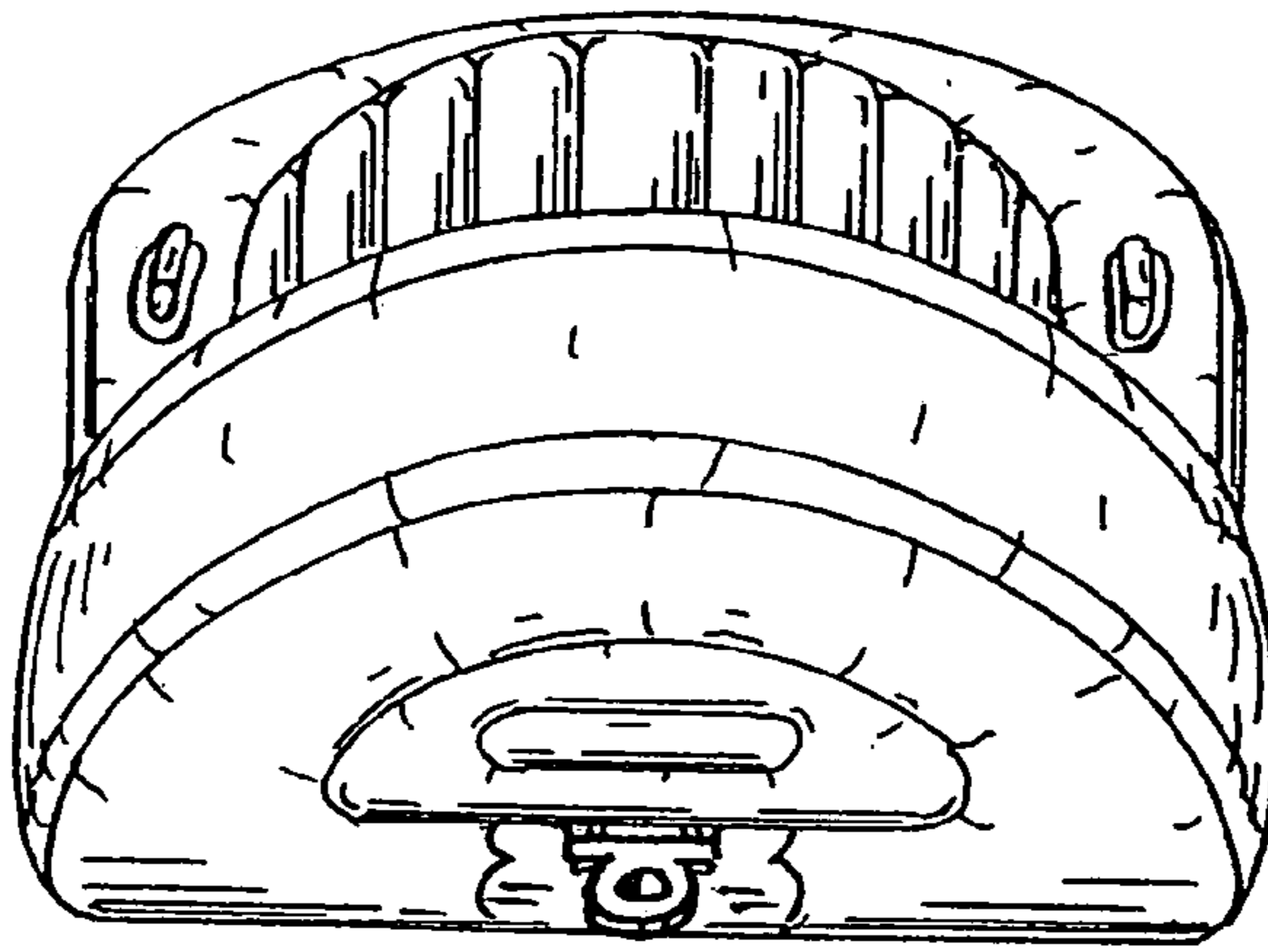


Fig. 5

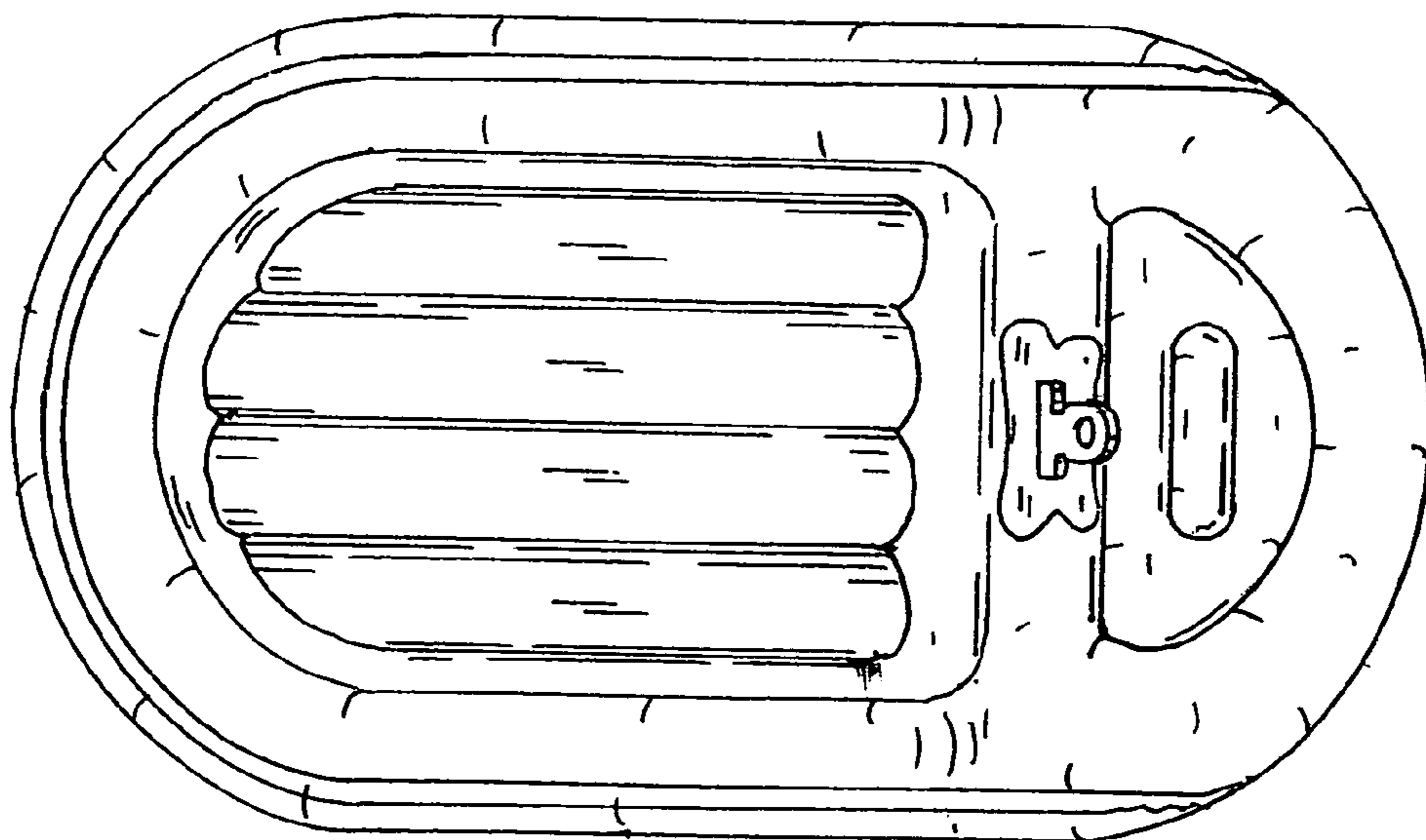
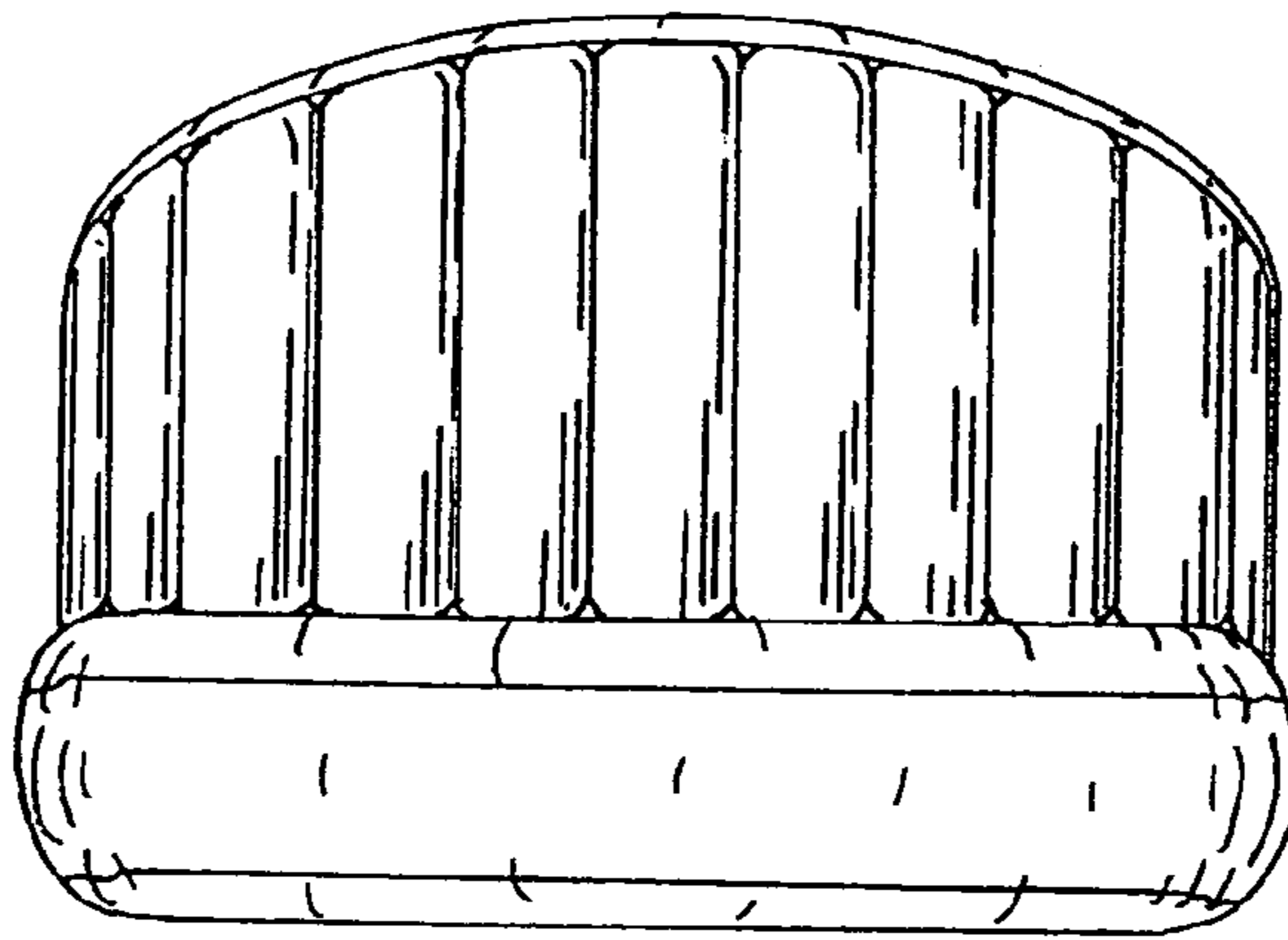


Fig. 6