

US00D549291S

(12) **United States Design Patent** (10) **Patent No.:** **US D549,291 S**  
**Grider** (45) **Date of Patent:** **\*\* Aug. 21, 2007**

(54) **EXERCISE MACHINE COVER PLATE**

2004/0005966 A1 1/2004 Chen  
 2004/0029688 A1 2/2004 Webber  
 2004/0162194 A1 8/2004 Habing  
 2004/0229735 A1 11/2004 Morris

(75) Inventor: **Sherman Grider**, Pomona, CA (US)

(73) Assignee: **Tuffstuff Fitness Equipment, Inc.**,  
Pomona, CA (US)

(\*\*) Term: **14 Years**

(21) Appl. No.: **29/251,735**

(22) Filed: **Jan. 12, 2006**

(51) **LOC (8) Cl.** ..... **21-02**

(52) **U.S. Cl.** ..... **D21/694**

(58) **Field of Classification Search** ..... D21/662,  
D21/674, 675, 676, 694; D8/371; D12/114,  
D12/117; 482/95, 96, 97, 99, 98, 104, 137,  
482/138

See application file for complete search history.

(56) **References Cited**

**U.S. PATENT DOCUMENTS**

4,964,632	A *	10/1990	Rockwell	.....	482/100
D330,238	S *	10/1992	Desiderio	.....	D21/675
5,358,462	A *	10/1994	Calderone	.....	482/137
5,580,341	A	12/1996	Simonson		
6,080,091	A	6/2000	Habing		
D439,941	S	4/2001	Batca		
6,234,941	B1	5/2001	Chu		
D446,831	S *	8/2001	Webber et al.	.....	D21/662
6,579,213	B1	6/2003	Webber		
D478,847	S *	8/2003	Ratto	.....	D12/114
6,746,378	B2	6/2004	Morris		
D502,230	S	2/2005	Chen		
6,893,381	B2 *	5/2005	Slawinski	.....	482/8
6,905,446	B2	6/2005	Greenland		
D518,121	S *	3/2006	Panatta	.....	D21/676

**OTHER PUBLICATIONS**

Lat pull down machines found on google images seach, 3 pages.\*

\* cited by examiner

*Primary Examiner*—Philip S. Hyder

(74) *Attorney, Agent, or Firm*—Cislo & Thomas LLP

(57) **CLAIM**

The ornamental design for an exercise machine cover plate, as shown and described.

**DESCRIPTION**

FIG. 1 is a perspective view of my exercise machine cover plate, showing in dotted line the field of application for illustrative purposes only and to which no claim is made;

FIG. 2 is a front perspective view thereof with the with the dotted lines showing of apertures being for illustrative purposes only and to which no claim is made;

FIG. 3 is a front view thereof with the back view being a mirror image thereof;

FIG. 4 is a top view thereof;

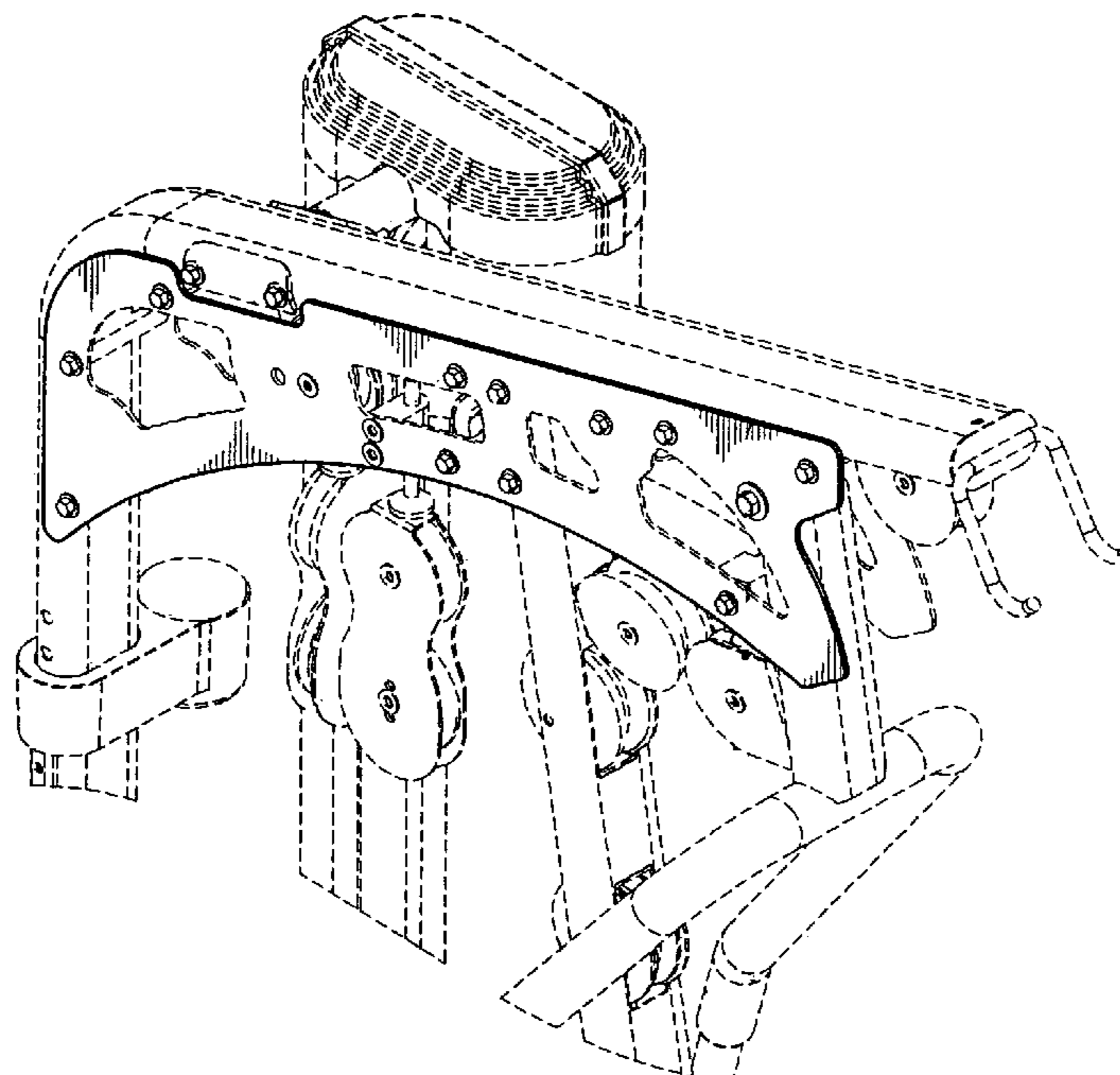
FIG. 5 is a bottom view thereof;

FIG. 6 is a left side view thereof; and,

FIG. 7 is a right side view thereof.

The portions shown in broken lines are for illustrative purposes only and form no part of the claimed design and to which no claim is made.

**1 Claim, 5 Drawing Sheets**



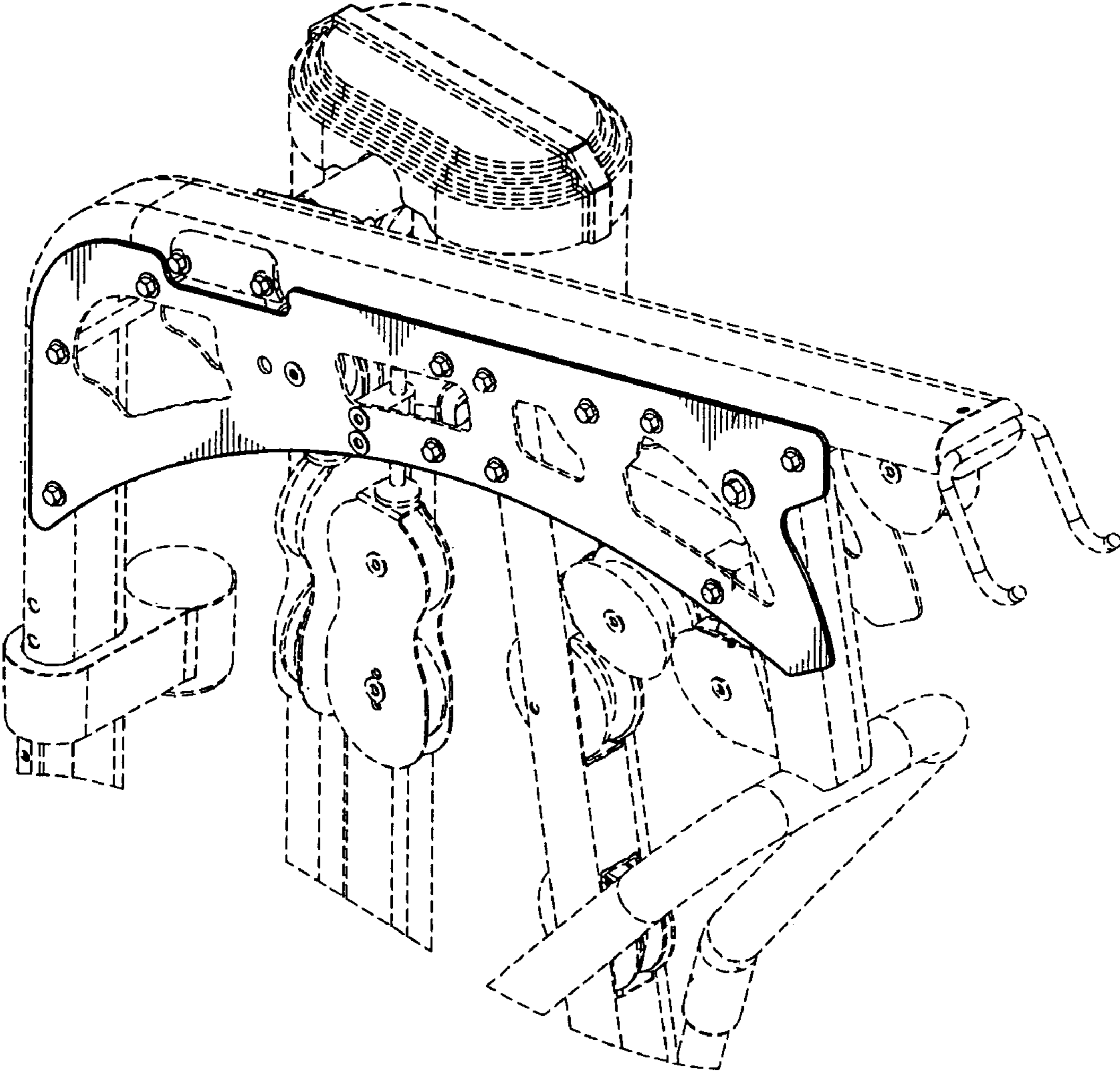


FIG. 1

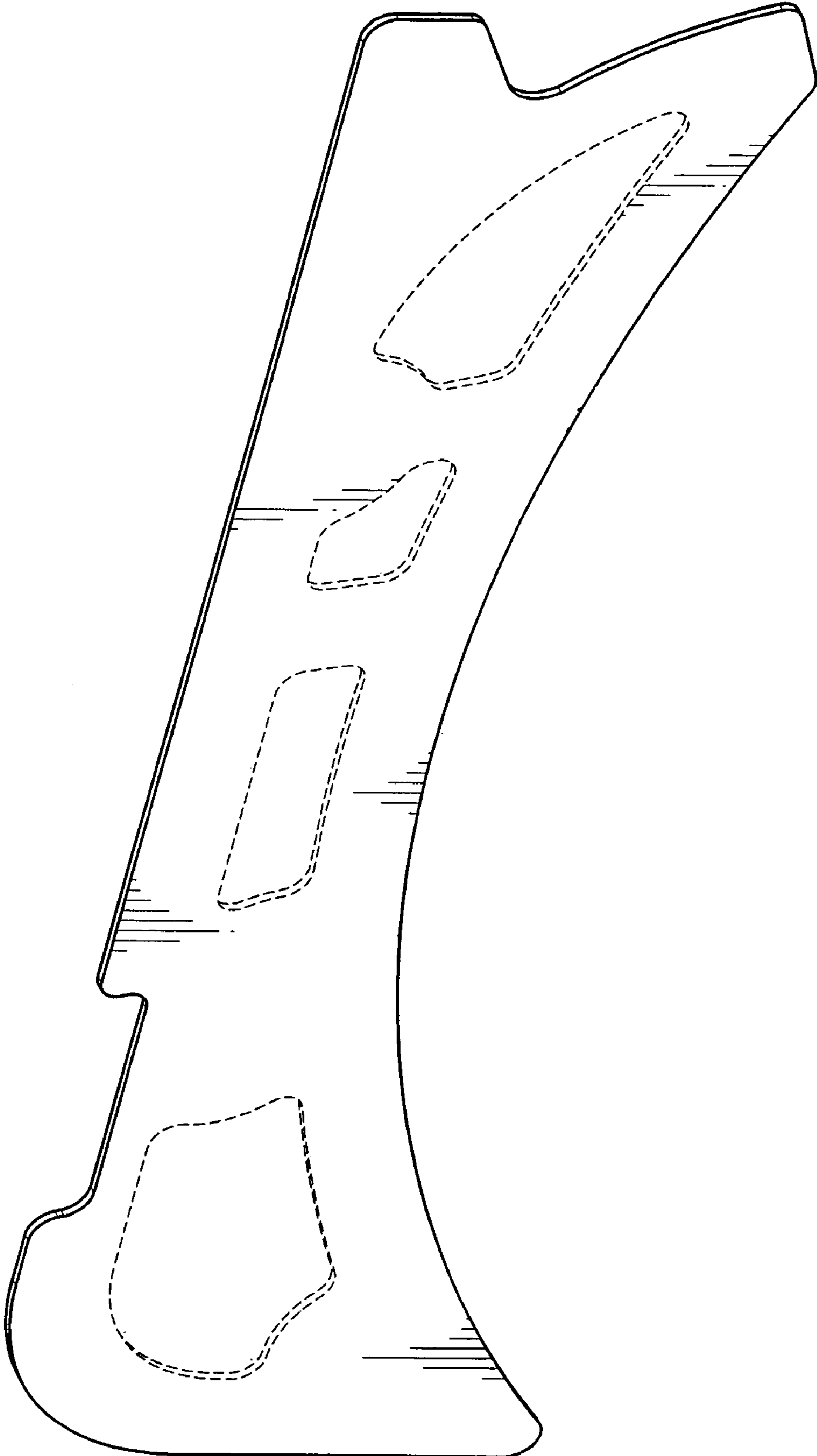


FIG. 2

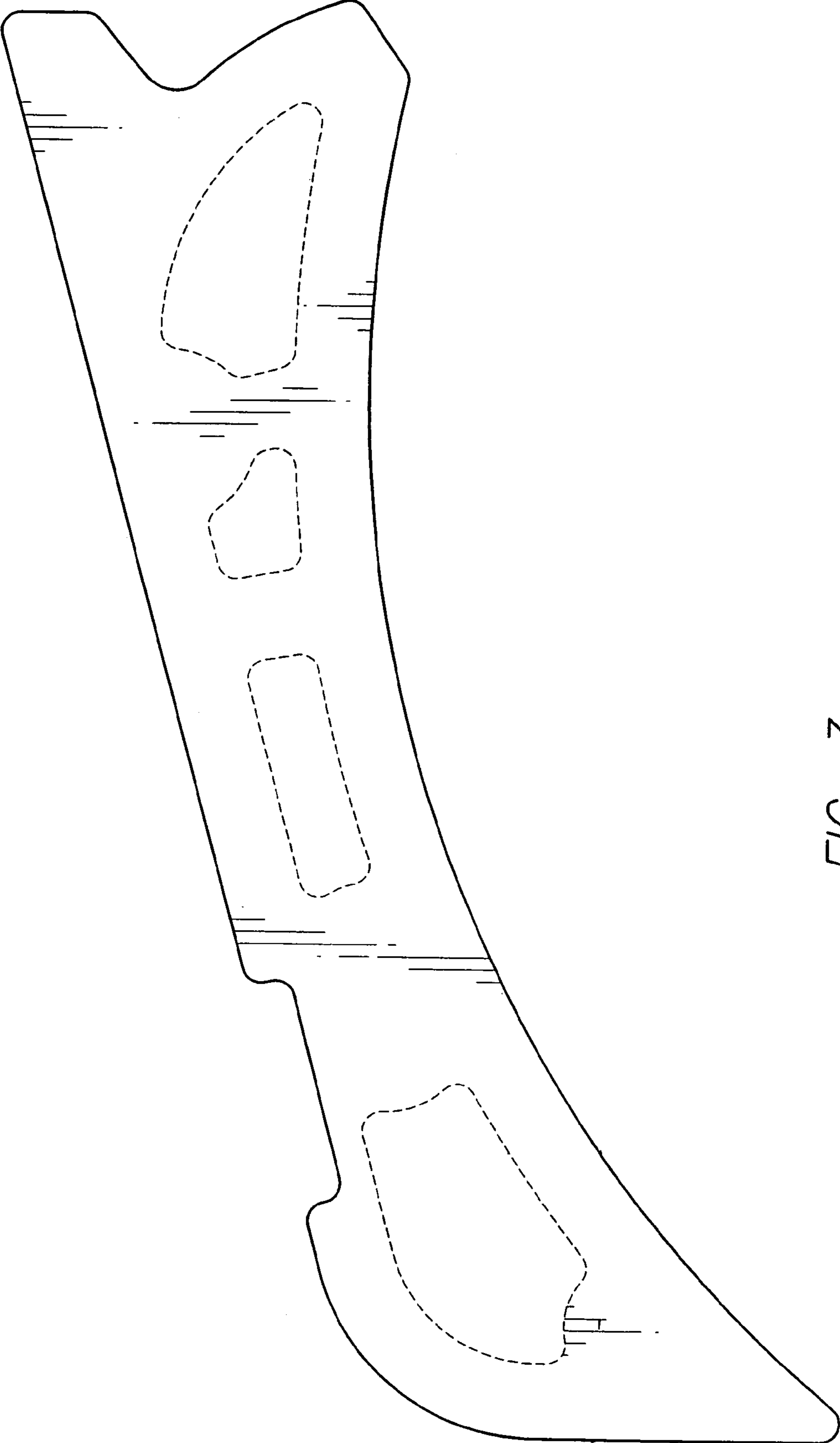


FIG. 3



*FIG. 4*



*FIG. 5*

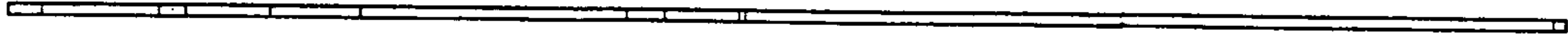


FIG. 7

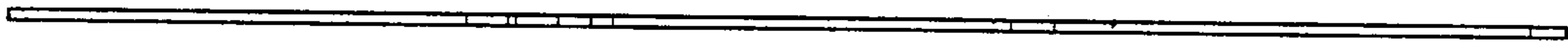


FIG. 6