

US00D549287S

(12) **United States Design Patent**
Pitzen et al.

(10) **Patent No.:** **US D549,287 S**

(45) **Date of Patent:** **** Aug. 21, 2007**

(54) **MASKING TAPE APPLICATOR**

(75) Inventors: **James F. Pitzen**, Maplewood, MN (US); **Nathaniel R. Hallee**, St. Louis Park, MN (US); **Paul A. Pilosi**, Minnetonka, MN (US)

(73) Assignee: **3M Innovative Properties Company**, St. Paul, MN (US)

(**) Term: **14 Years**

(21) Appl. No.: **29/225,072**

(22) Filed: **Mar. 10, 2005**

(51) **LOC (8) Cl.** **19-02**

(52) **U.S. Cl.** **D19/69**

(58) **Field of Classification Search** D19/66-70;
156/523, 527, 540, 577; 206/411; 225/6,
225/25, 39; 242/588, 588.2, 588.3, 588.6
See application file for complete search history.

(56) **References Cited**

U.S. PATENT DOCUMENTS

D141,219 S *	5/1945	Preble, Jr.	D19/69
2,670,041 A *	2/1954	Krueger	225/20
D192,455 S *	3/1962	Castelli	D9/419
3,187,968 A	6/1965	Favre	
3,537,942 A	11/1970	Kefalos	
D226,208 S *	1/1973	Meyers et al.	D21/592
3,740,297 A	6/1973	Vidinsky	
3,900,362 A	8/1975	Schaffer	
4,238,271 A	12/1980	Urushizaki	
5,269,871 A	12/1993	Longworth et al.	
D432,573 S *	10/2000	Gratz	D19/69

6,302,177 B1	10/2001	Gruber	
6,439,289 B1 *	8/2002	Schlotthauer	156/539
6,742,562 B2	6/2004	Pitzen	
D500,340 S *	12/2004	Boes et al.	D19/69
6,828,008 B2	12/2004	Gruber	
6,926,059 B2 *	8/2005	Somers et al.	156/577

* cited by examiner

Primary Examiner—Elizabeth A. Albert

(74) *Attorney, Agent, or Firm*—David B. Patchett

(57) **CLAIM**

The ornamental design for a masking tape applicator, as shown and described.

DESCRIPTION

FIG. 1 is a perspective view of a masking tape applicator showing the new design;

FIG. 2 is a left side view thereof;

FIG. 3 is a bottom view thereof;

FIG. 4 is a top view thereof;

FIG. 5 is a right view thereof;

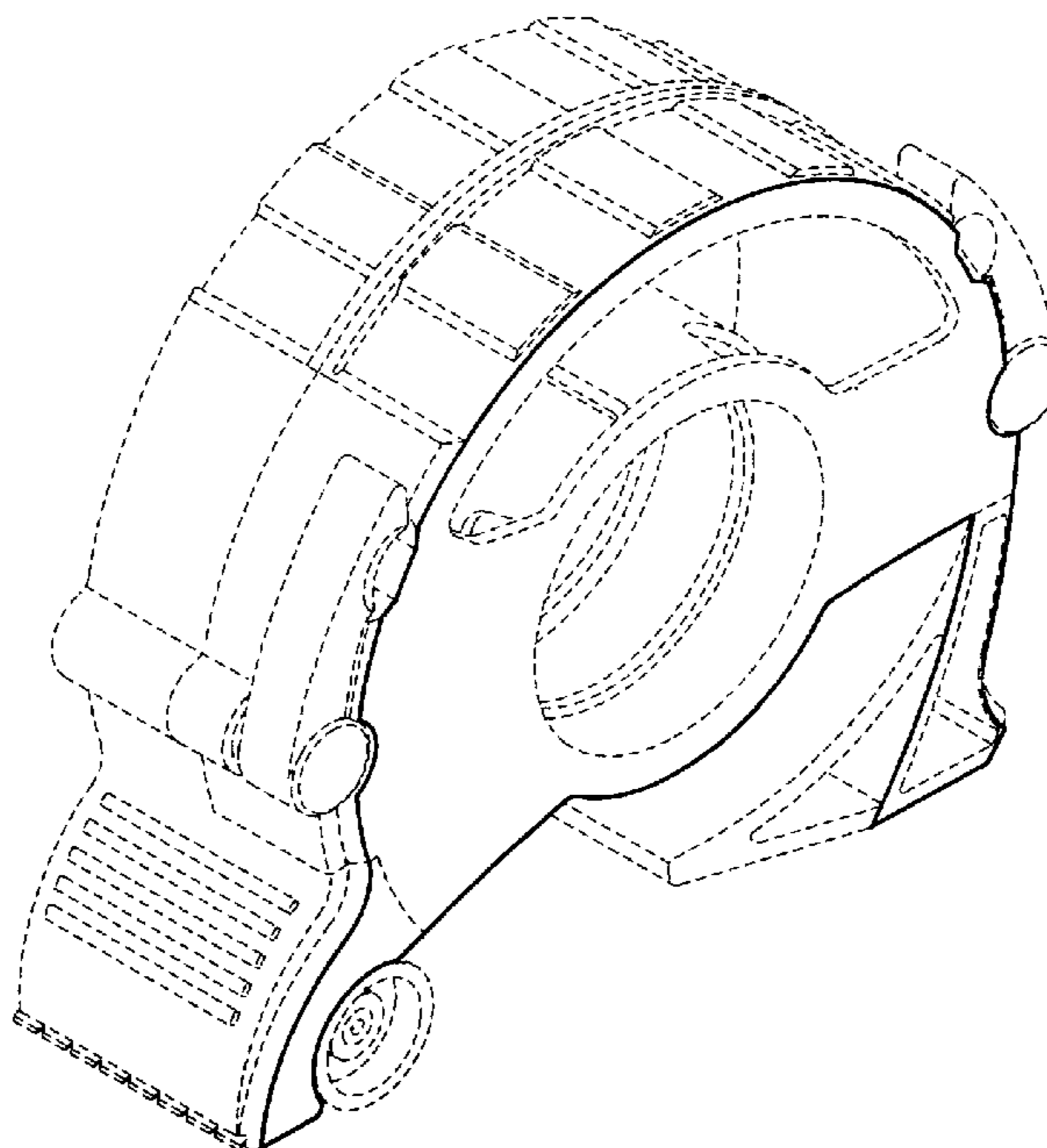
FIG. 6 is a front view thereof; and,

FIG. 7 is a rear view thereof.

The broken lines in the drawings are shown for illustrative purposes only and form no part of the claimed design.

The claim is directed to just the edge shown in solid lines on one face of the applicator in FIGS. 1, 2, 3, 4, 6, and 7, and no surface on either side of that edge forms any part of the claimed design.

1 Claim, 3 Drawing Sheets



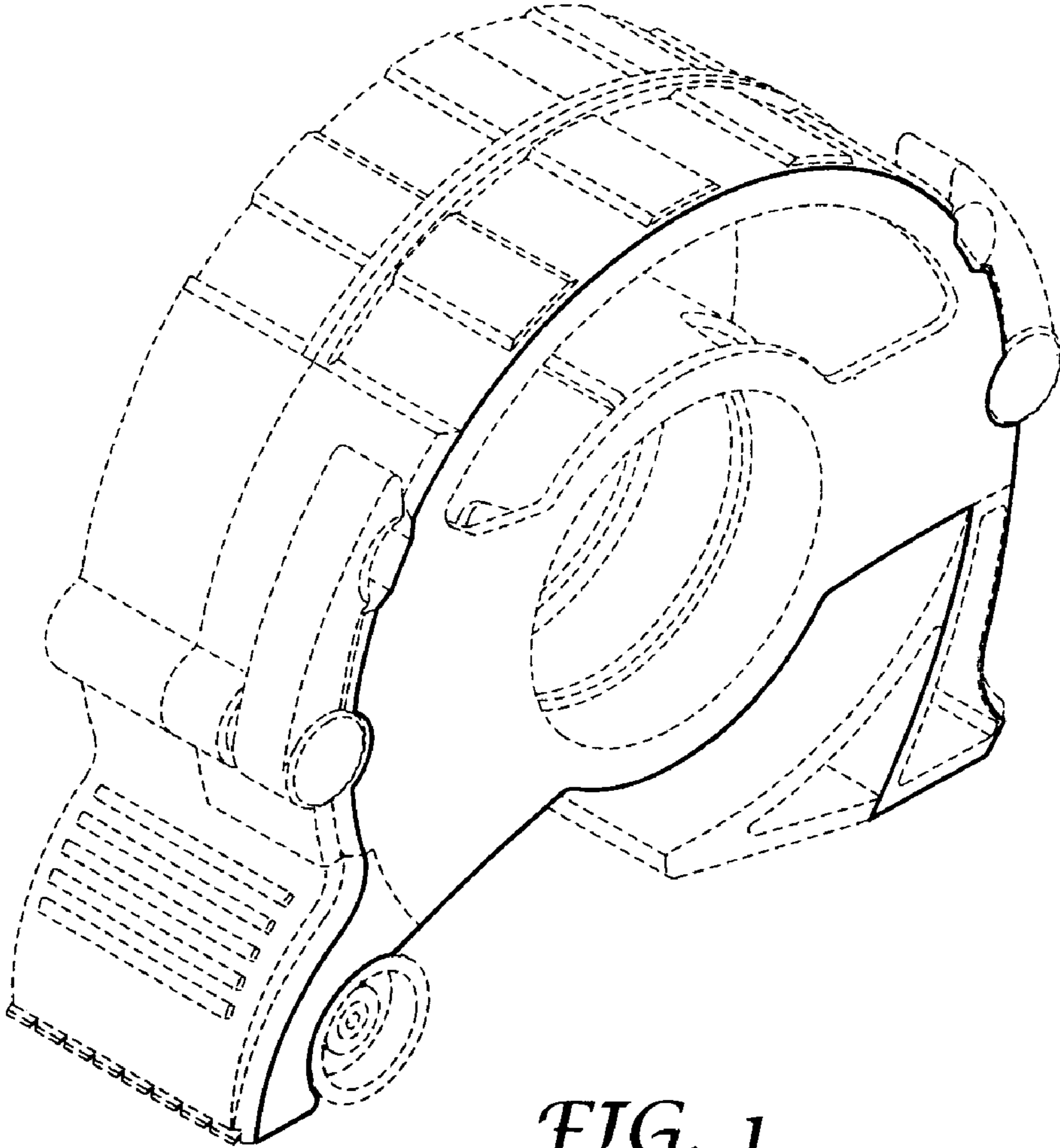


FIG. 1

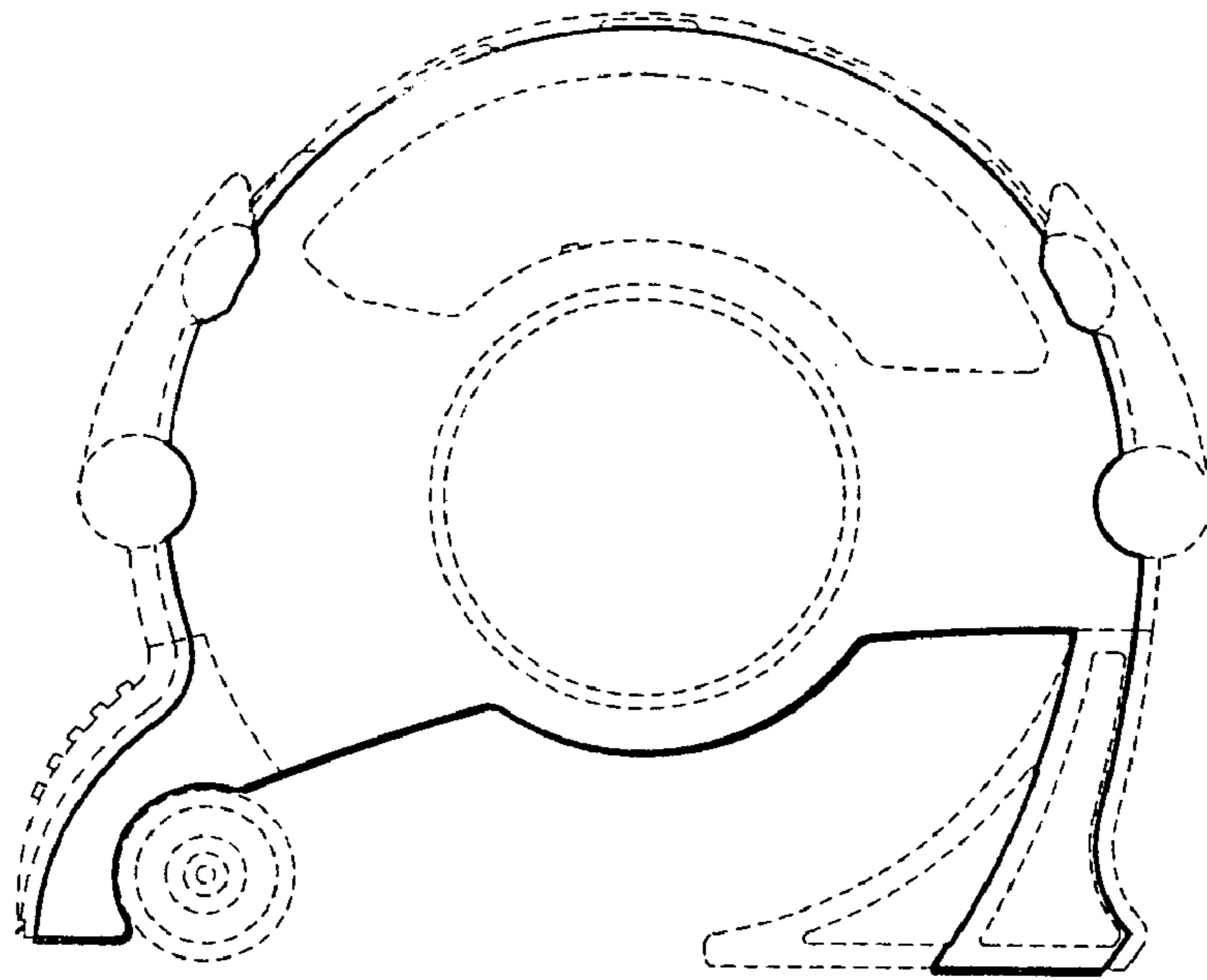


FIG. 2

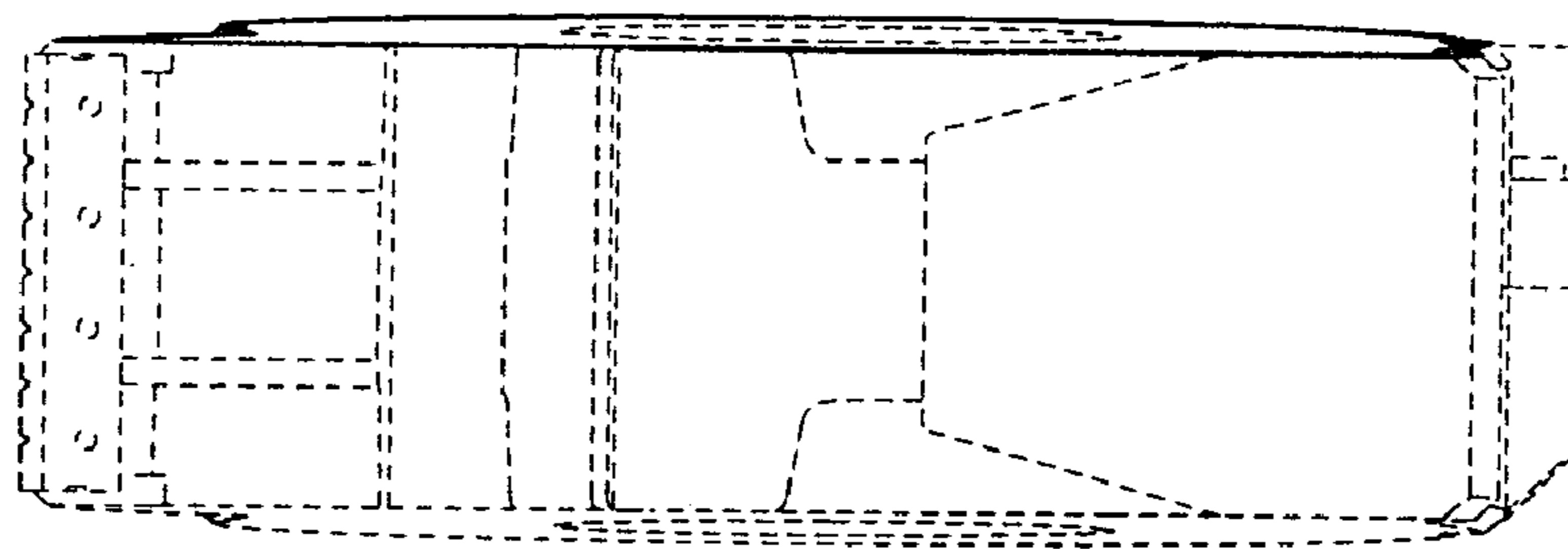


FIG. 3

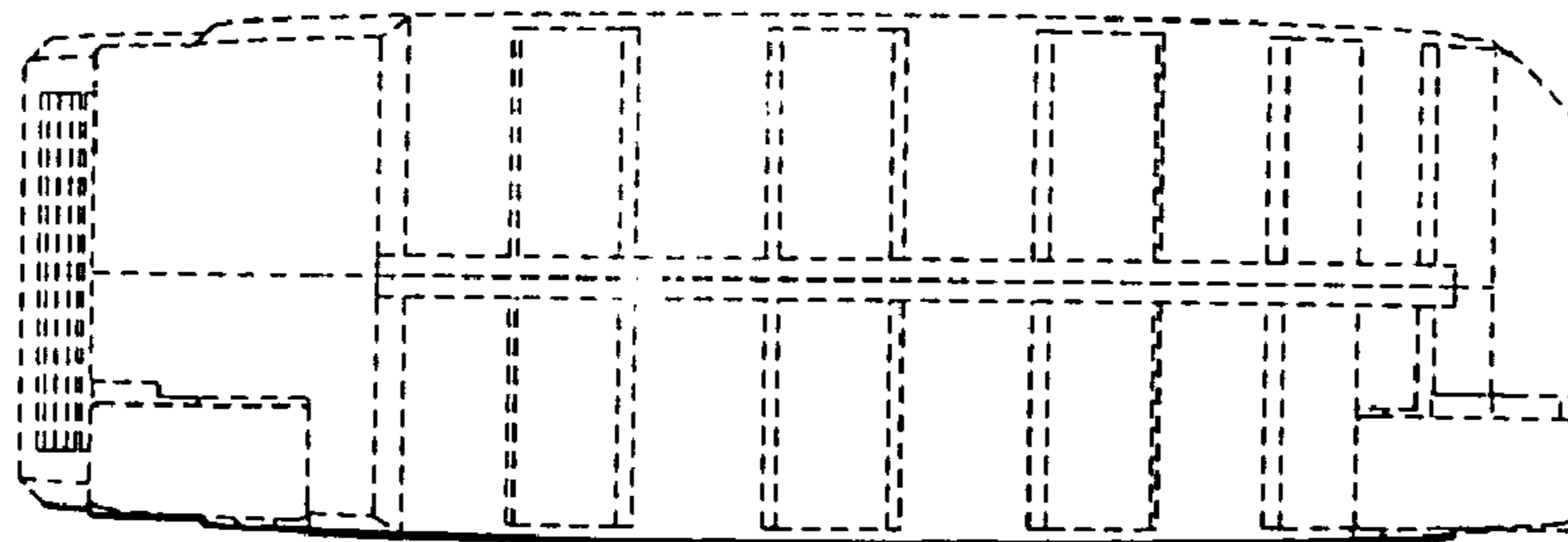


FIG. 4

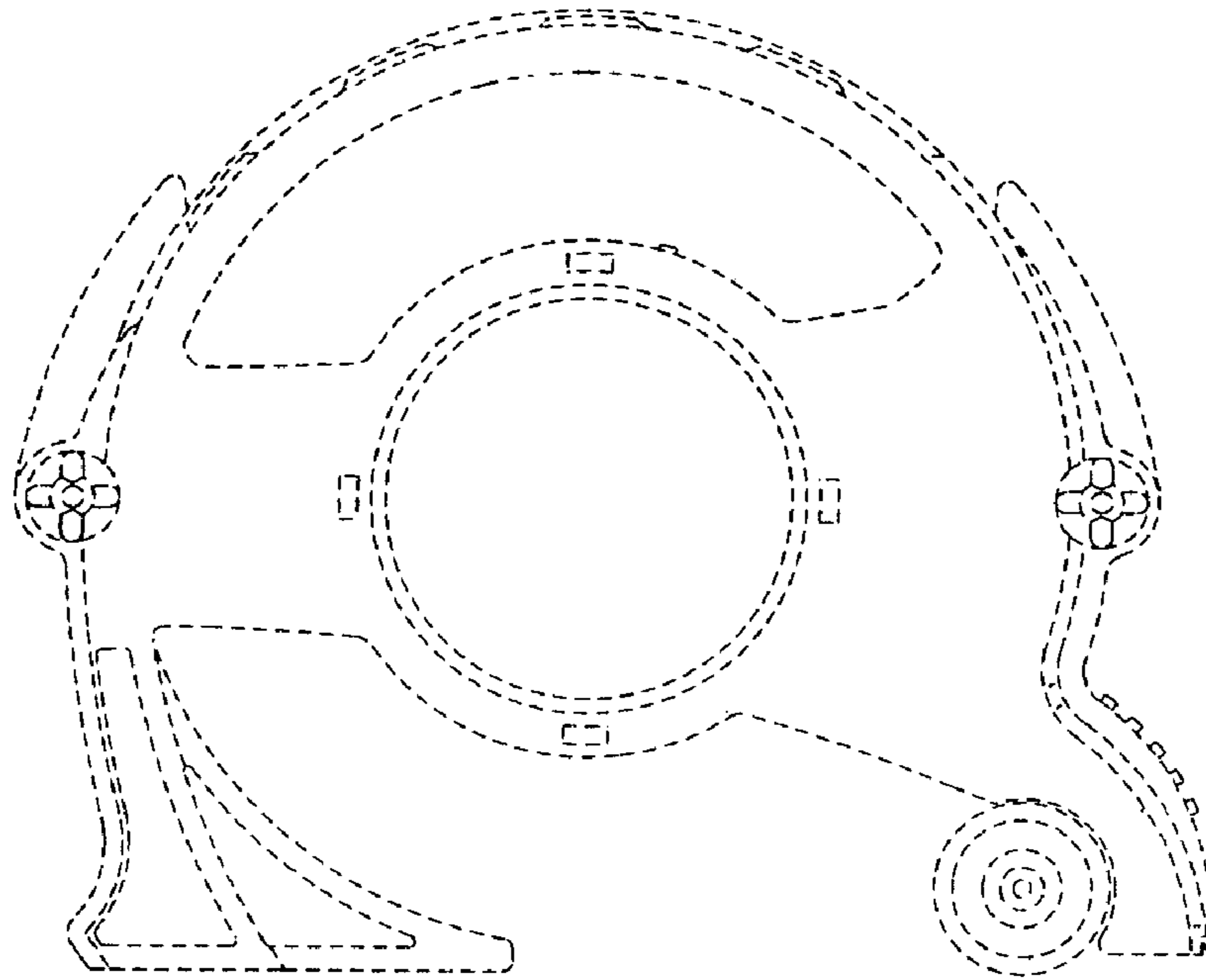


FIG. 5

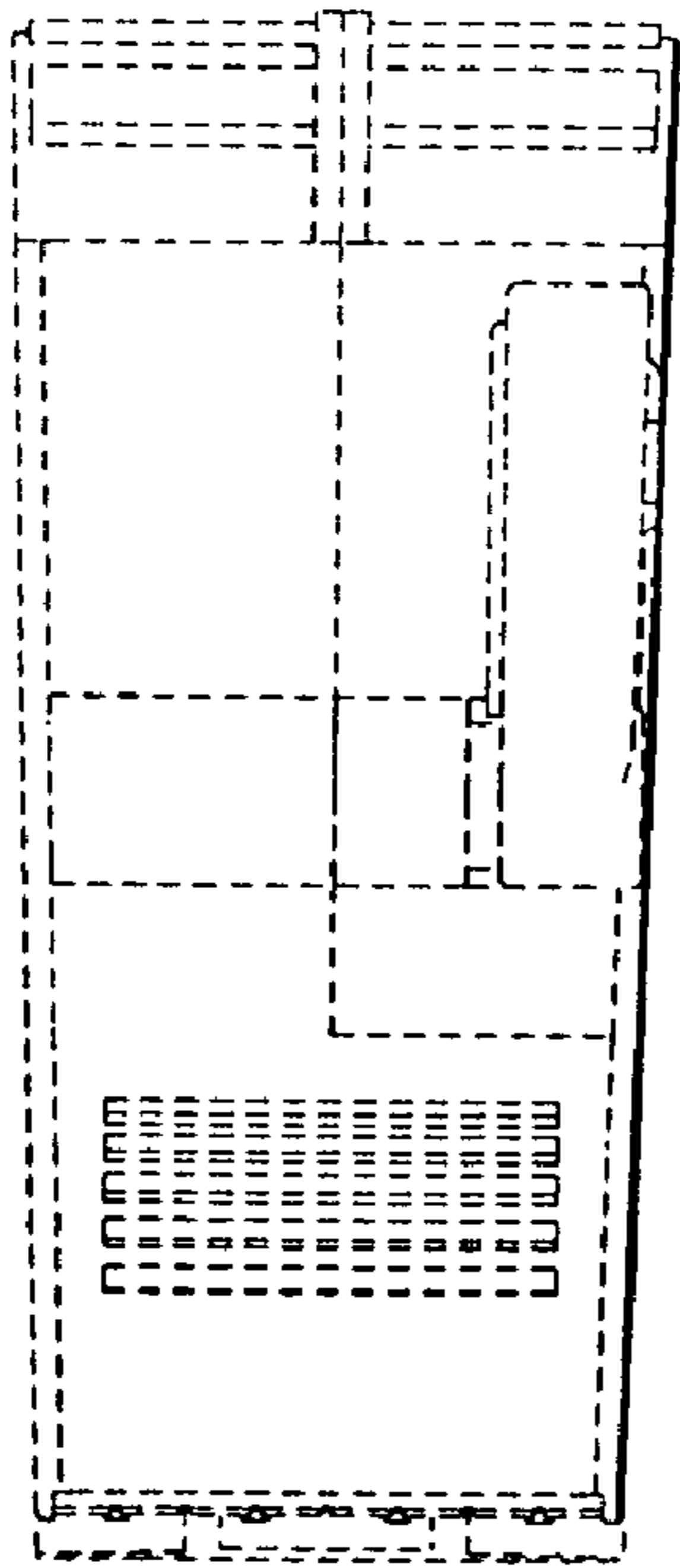


FIG. 6

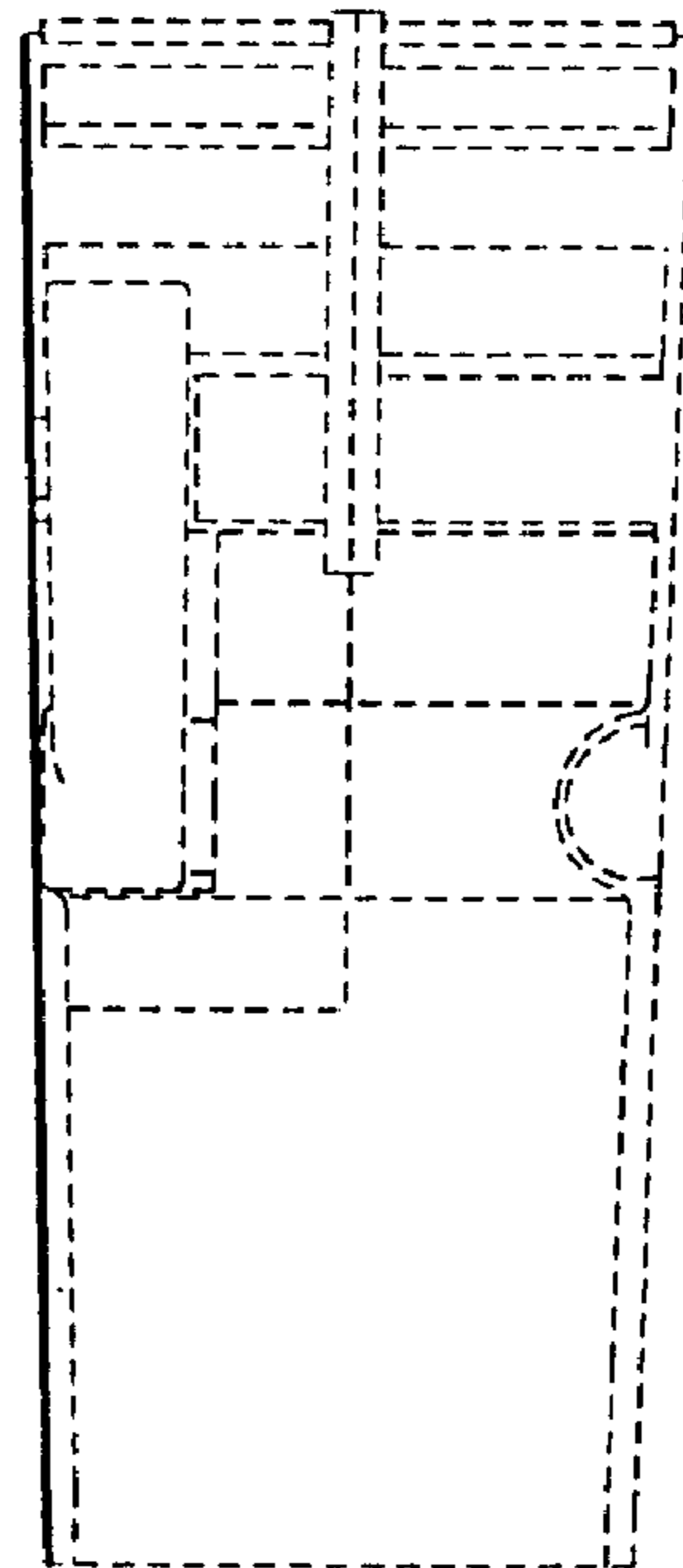


FIG. 7