



US00D549286S

(12) **United States Design Patent**
Llopis Garcia et al.

(10) **Patent No.:** **US D549,286 S**

(45) **Date of Patent:** **** Aug. 21, 2007**

(54) **DEMONSTRATOR OF OPTICAL PHENOMENA IN A CASE**
(75) Inventors: **Sonsoles Llopis Garcia**, Saint Mande (FR); **Sylvain Chene**, Draveil (FR)

4,959,819 A * 9/1990 Haczewski, Jr. 368/93
D393,815 S * 4/1998 Johnson et al. D11/131
D405,114 S * 2/1999 Hossfeld et al. D19/62
D512,338 S * 12/2005 Hannon D11/131
D531,672 S * 11/2006 Hannon D19/62

(73) Assignee: **Essilor International (Compagnie Generale d'Optique)**, Charenton le Pont (FR)

* cited by examiner

Primary Examiner—Louis Zarfaz

Assistant Examiner—Mark Cavanna

(**) Term: **14 Years**

(74) *Attorney, Agent, or Firm*—Sughrue Mion, PLLC

(21) Appl. No.: **29/270,455**

(57) **CLAIM**

(22) Filed: **Dec. 26, 2006**

The ornamental design for a demonstrator of optical phenomena in a case, as shown and described.

(30) **Foreign Application Priority Data**

DESCRIPTION

Jun. 27, 2006 (EM) 000557277-0001

(51) **LOC (8) Cl.** **19-07**

(52) **U.S. Cl.** **D19/62**

(58) **Field of Classification Search** D19/59-64;
D11/131, 157; 368/93; 434/272, 283-284,
434/286, 291, 300, 358, 388

See application file for complete search history.

FIG. 1 is a top plan view of a demonstrator of optical phenomena in a case, the case being open, showing our new design.

FIG. 2 is a front elevational view thereof.

FIG. 3 is a right side elevational view thereof.

FIG. 4 is a left side elevational view thereof.

FIG. 5 is a front perspective view thereof.

FIG. 6 is a right side perspective view thereof; and,

FIG. 7 is a front perspective view thereof, the case being closed.

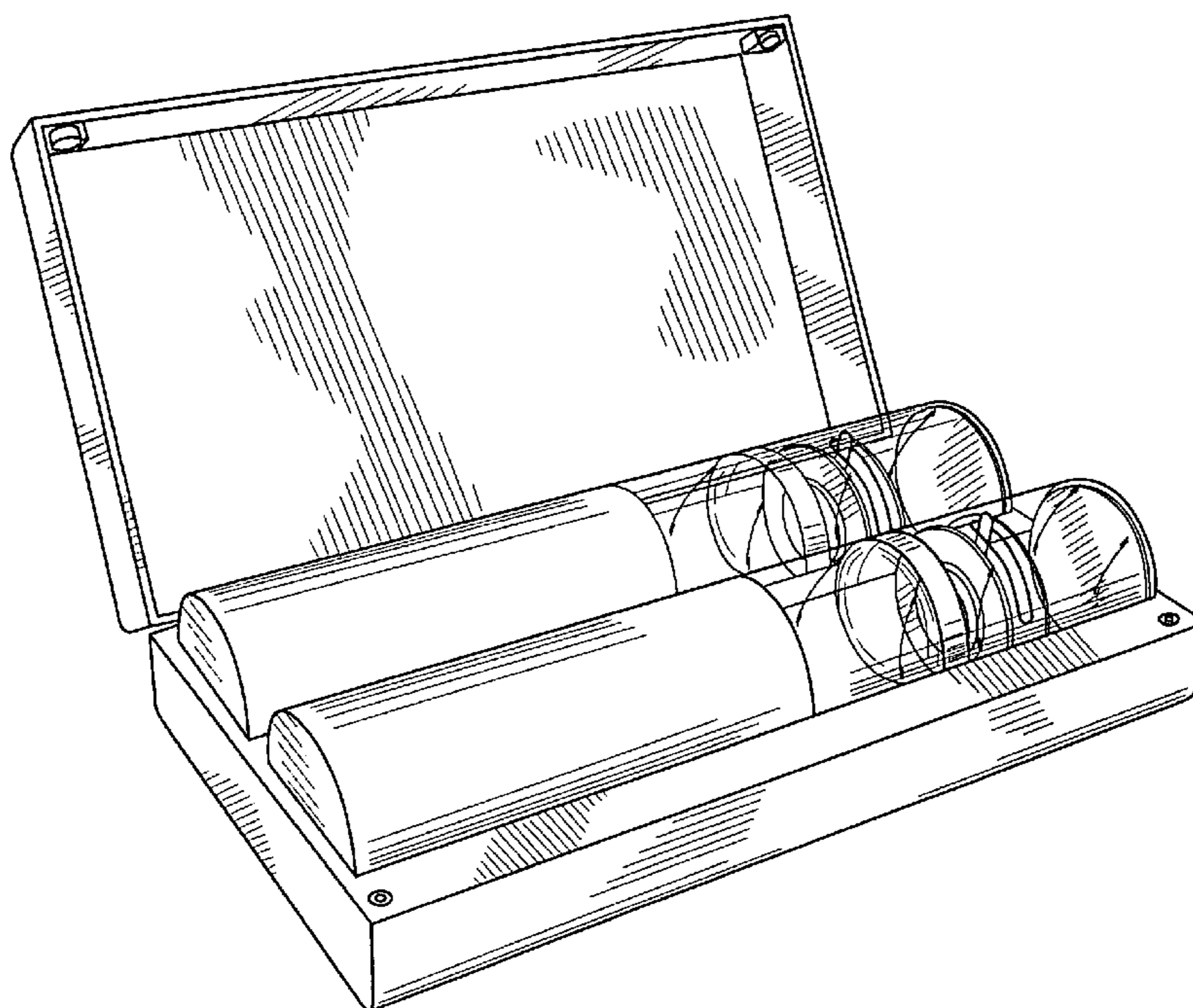
The bottom and rear views of the demonstrator of optical phenomena in a case are not shown and form no part of the claimed invention.

(56) **References Cited**

U.S. PATENT DOCUMENTS

3,438,197 A * 4/1969 Roer 368/93
D216,364 S * 12/1969 Benz D19/62
D243,603 S * 3/1977 Salsgiver D19/62
D270,073 S * 8/1983 Morey 434/388
D292,932 S * 11/1987 McGinley 434/272
D309,753 S * 8/1990 Kagelmann-Holtz
et al. D19/59

1 Claim, 7 Drawing Sheets



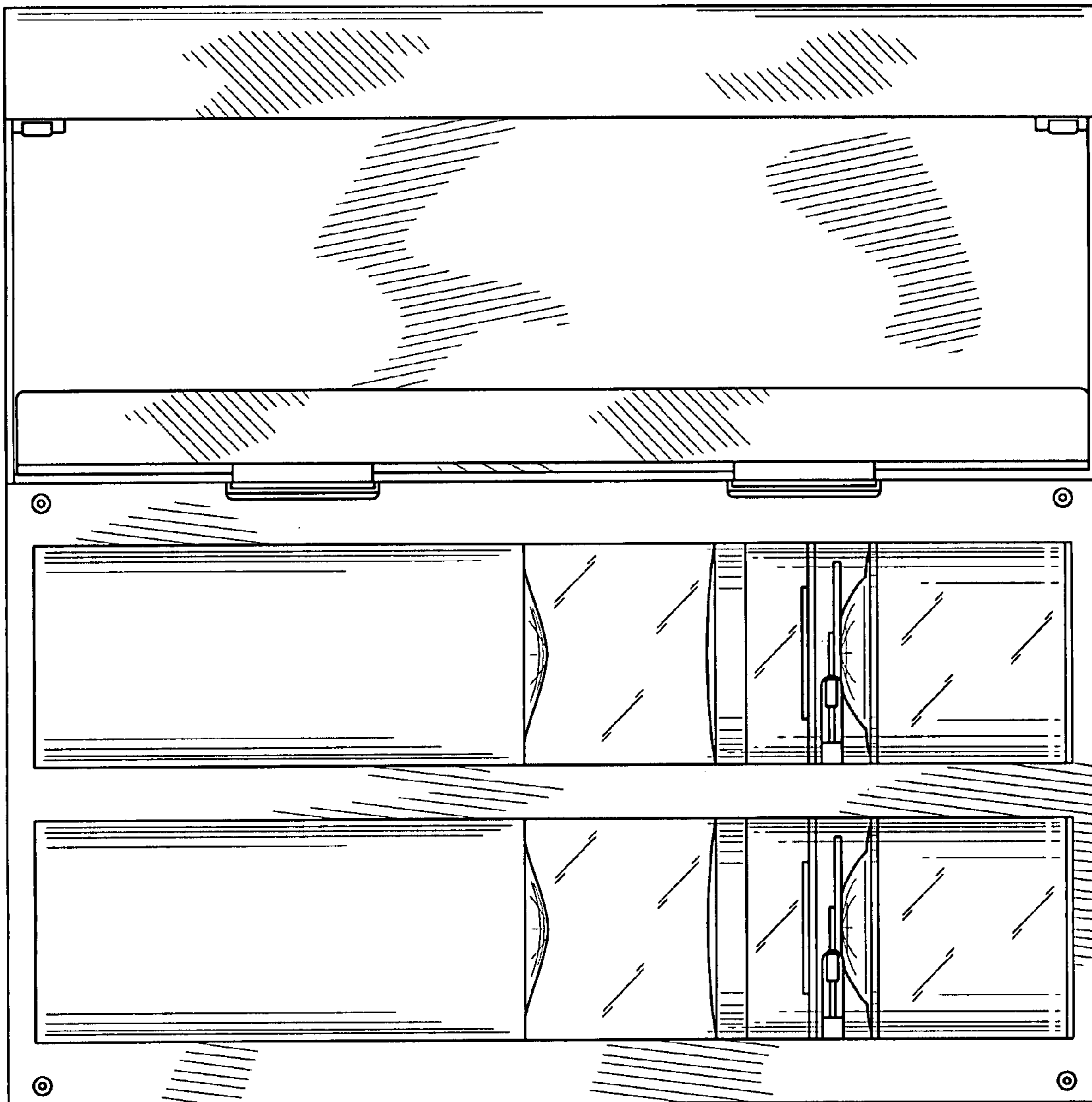


Fig. 1

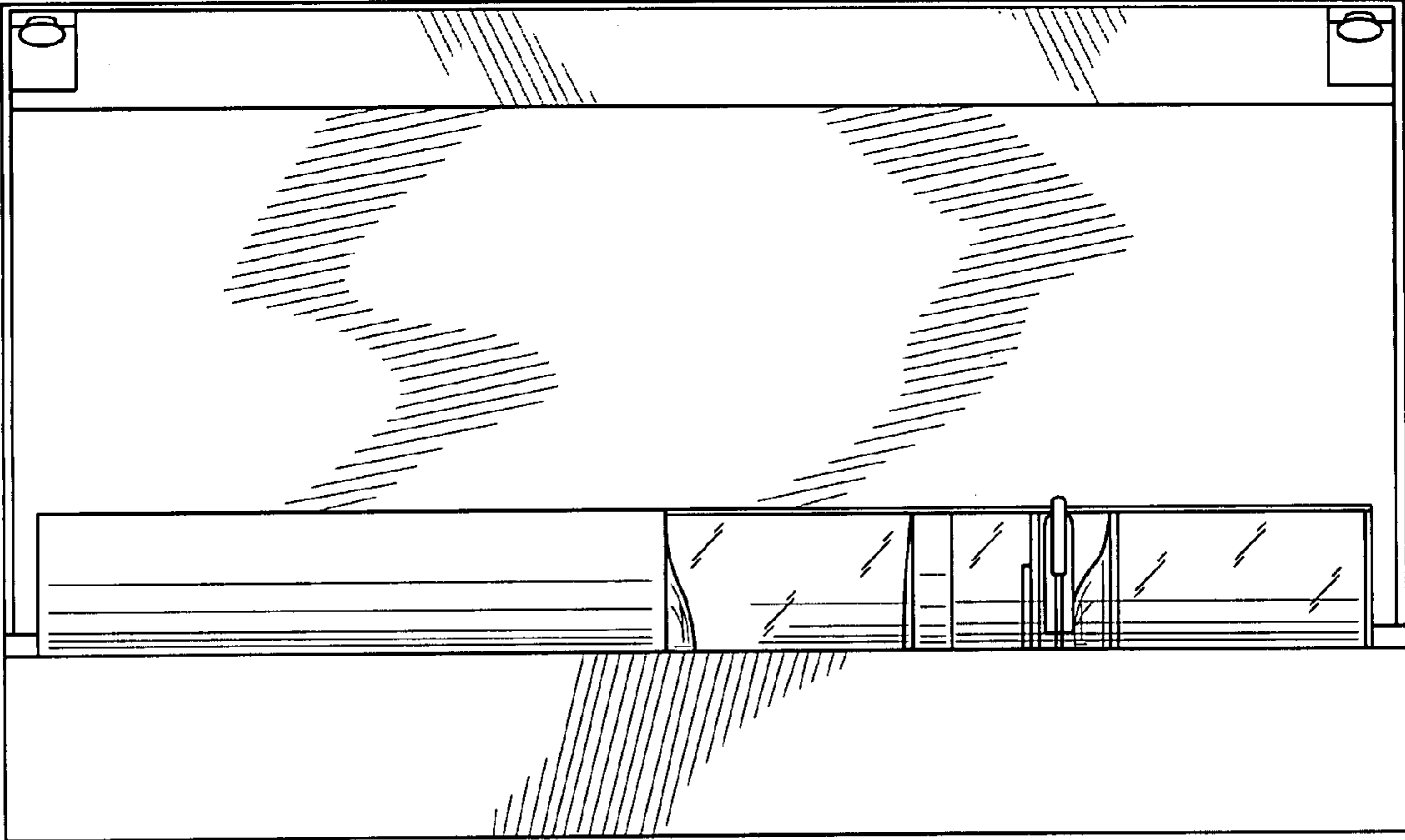


Fig. 2

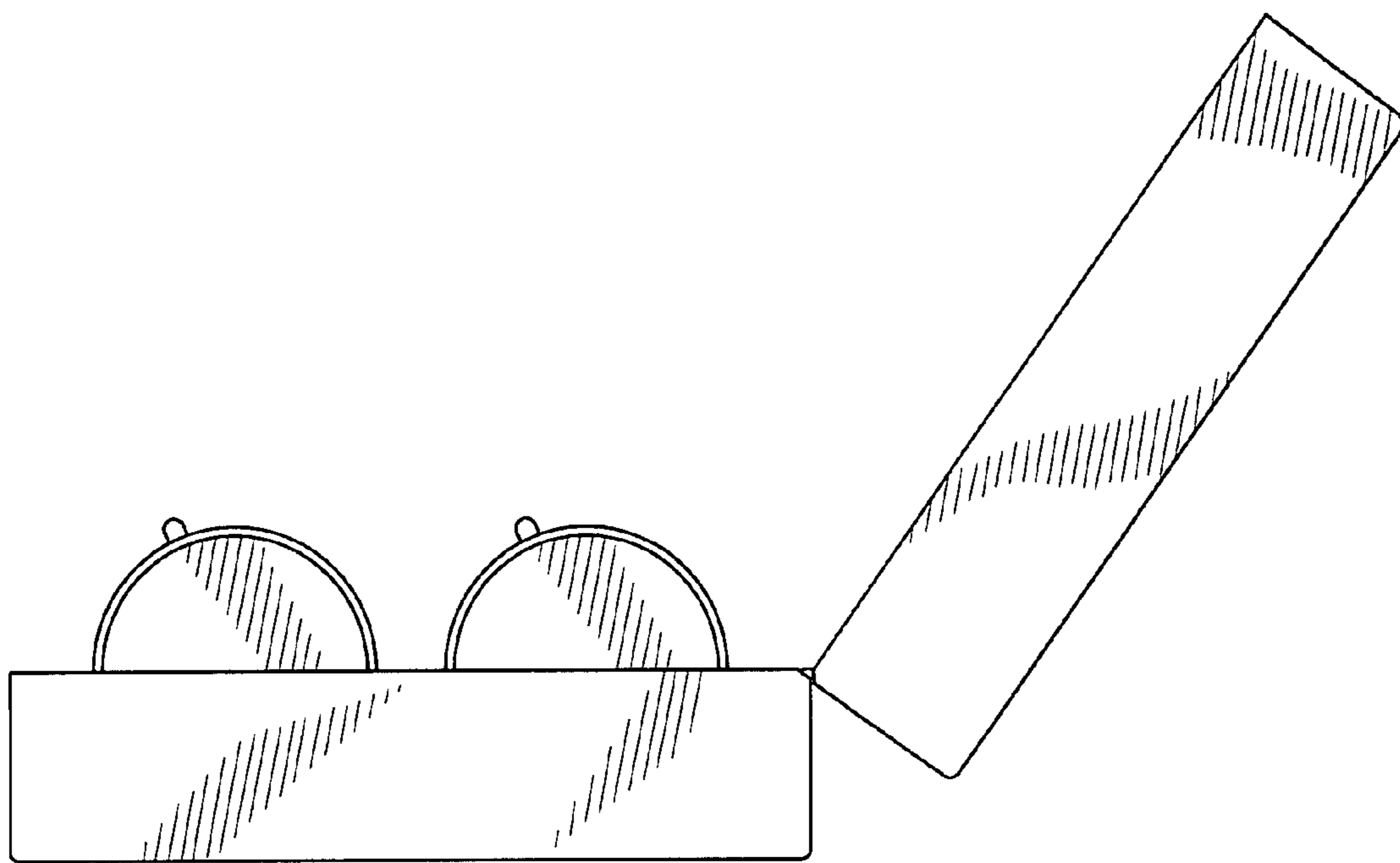


Fig. 3

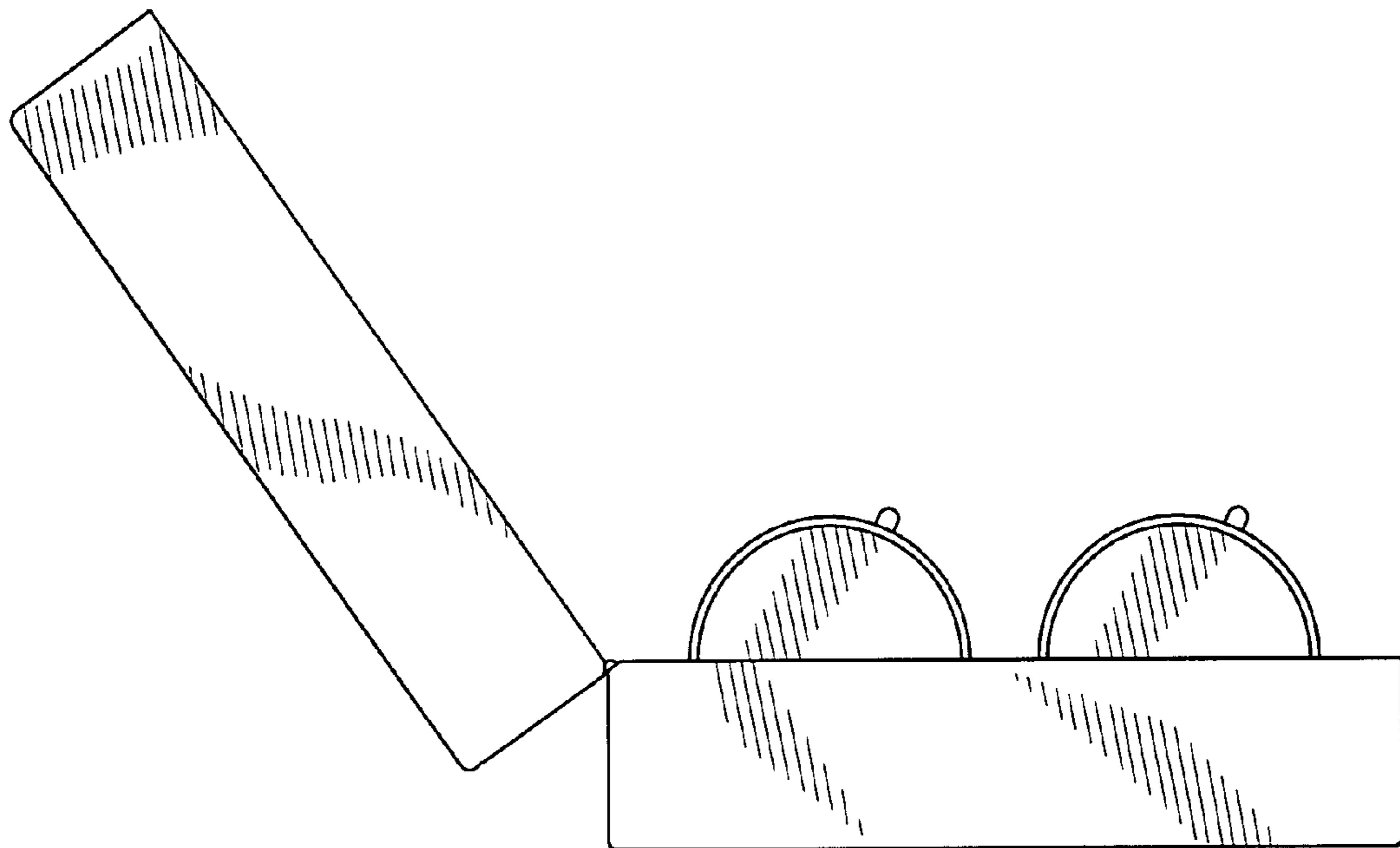


Fig. 4

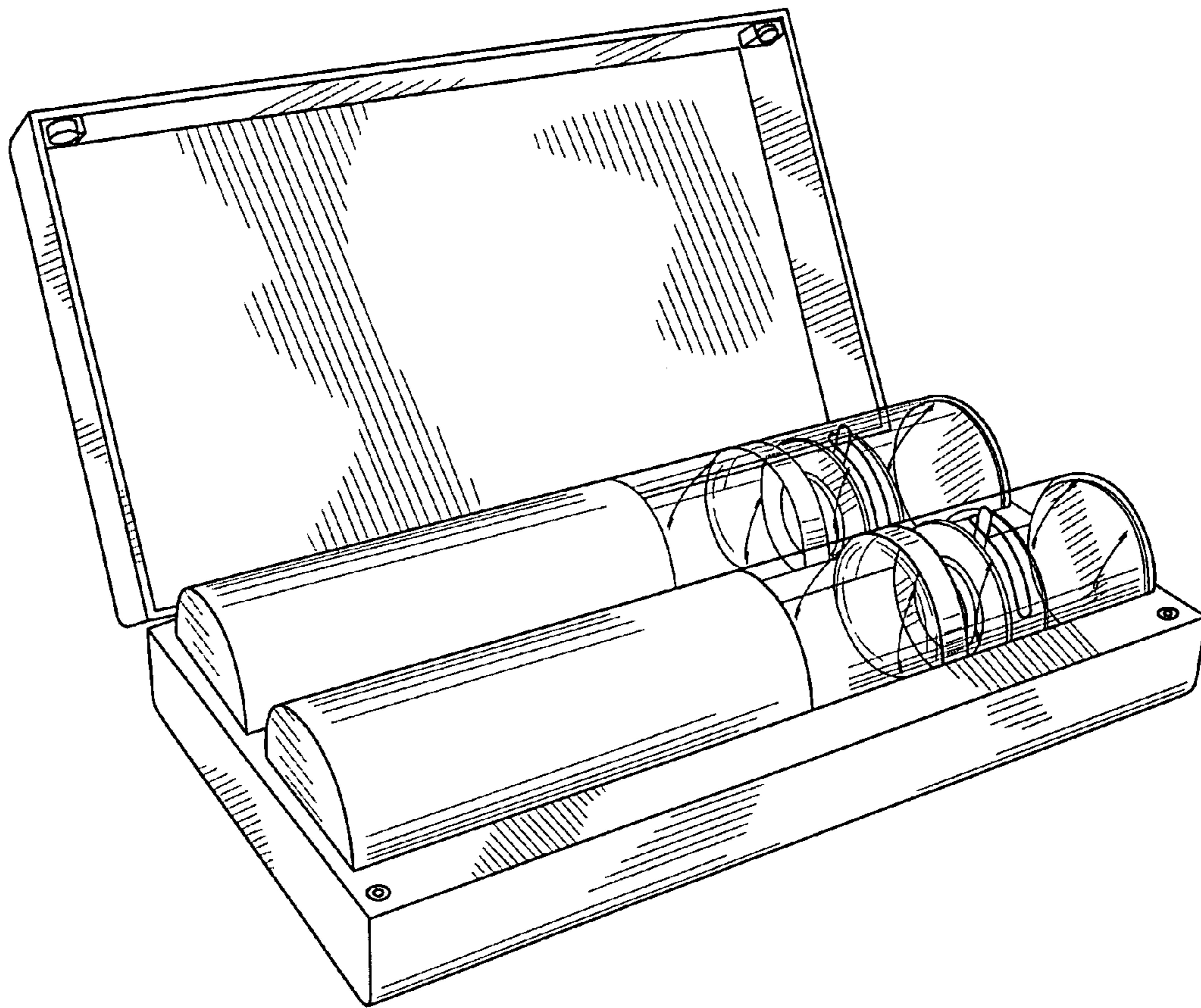


Fig. 5

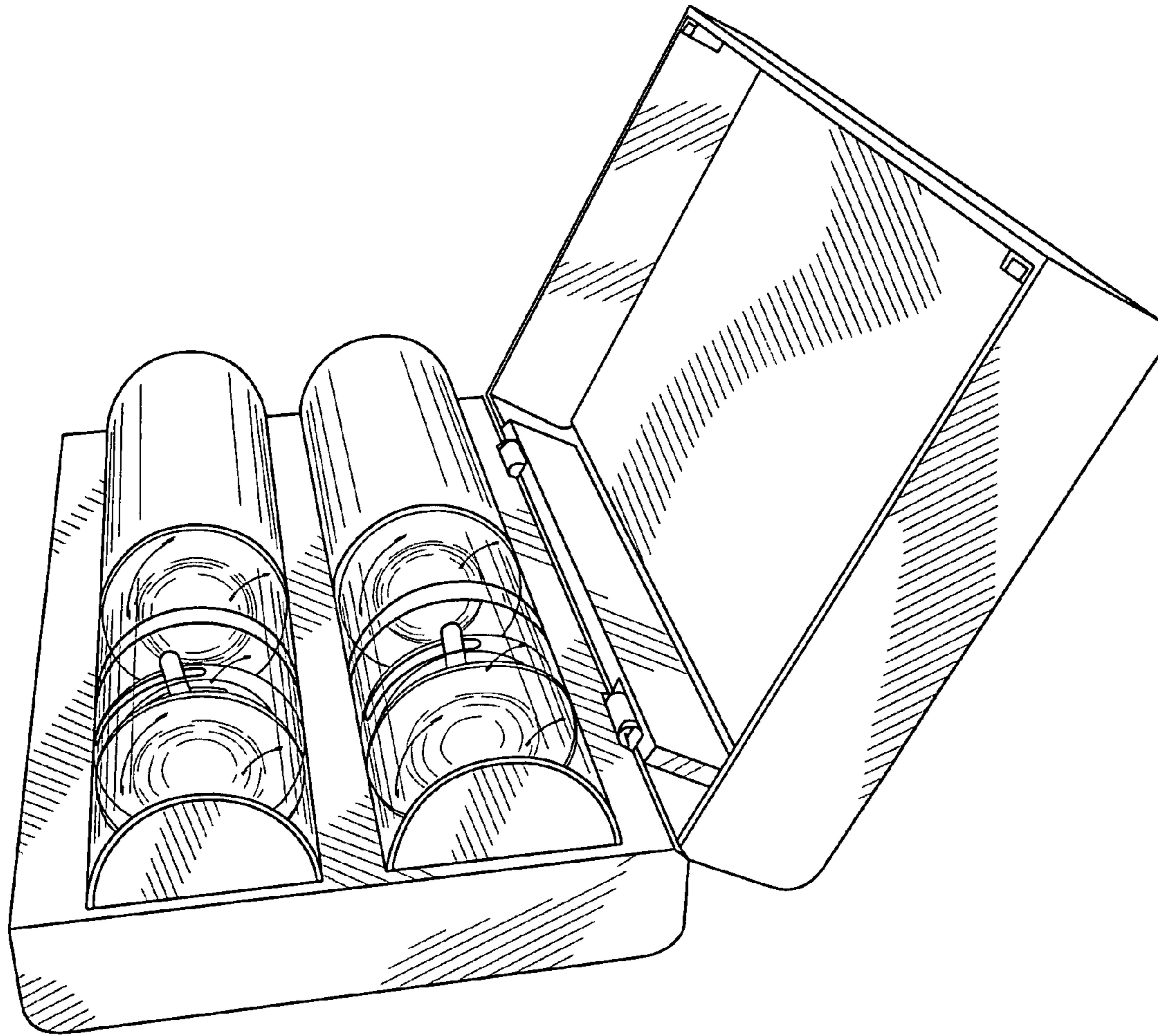


Fig. 6

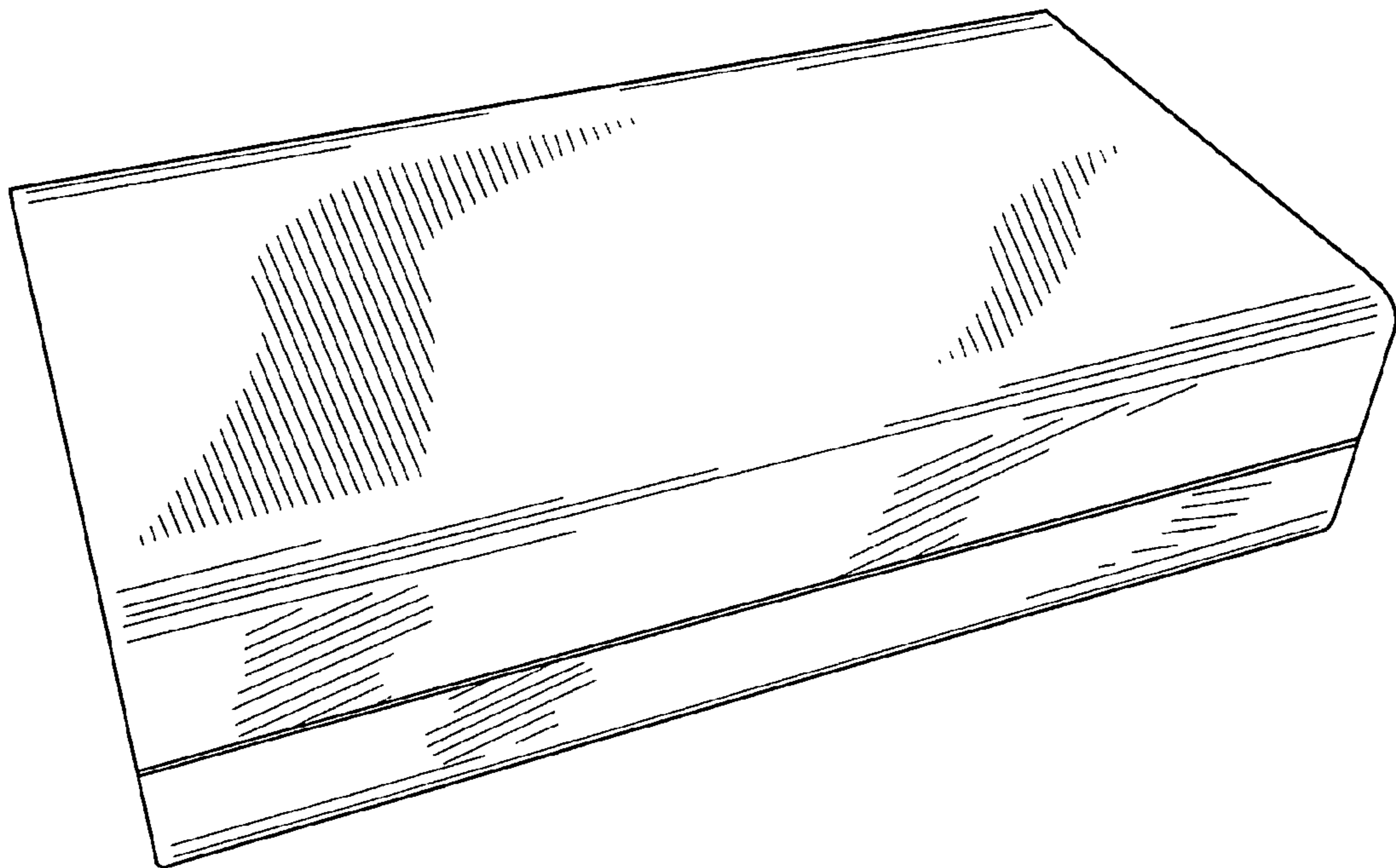


Fig. 7