

US00D549285S

(12) **United States Design Patent**
Chen

(10) **Patent No.:** **US D549,285 S**

(45) **Date of Patent:** **** Aug. 21, 2007**

(54) **ERASING WHEEL**

(75) Inventor: **Lung-Pao Chen**, Zhubei (TW)

(73) Assignee: **Sunmatch Industrial Co., Ltd.**, Zhubei (TW)

(**) Term: **14 Years**

(21) Appl. No.: **29/243,921**

(22) Filed: **Dec. 2, 2005**

Related U.S. Application Data

(63) Continuation-in-part of application No. 11/046,771, filed on Feb. 1, 2005, now abandoned.

(51) **LOC (8) Cl.** **19-06**

(52) **U.S. Cl.** **D19/53; D12/579**

(58) **Field of Classification Search** D8/90;
D19/35, 42, 53, 54; D32/40; 15/3.53, 104.92,
15/105.51, 105.52, 118, 210.1, 231, 424,
15/425, 427, 428, 429, 430, 433, 434, 435;
401/49, 52, 88; 451/523; D12/501, 506,
D12/525-532, 544, 557, 574, 577, 579
See application file for complete search history.

(56) **References Cited**

U.S. PATENT DOCUMENTS

590,598	A *	9/1897	Smith	15/3.53
D39,542	S *	9/1908	McCoy	D19/53
D57,878	S *	5/1921	Waters	D12/577
D59,310	S *	10/1921	Waters	D12/577
2,330,954	A *	10/1943	Cotera	15/424
D166,252	S *	3/1952	Fusco	D19/53
D223,015	S *	2/1972	Beyers	D12/525

3,770,038	A *	11/1973	Wolfe	152/209.12
D239,457	S *	4/1976	Chester	D12/501
4,207,646	A *	6/1980	Osborne	15/224
6,136,143	A *	10/2000	Winter et al.	156/584
D499,763	S *	12/2004	Jacquet	D19/53

OTHER PUBLICATIONS

Tread Design Guide catalog, item Toyo G-65 EDT (L-5) TL-N-SB, p. 169, 2004, Bennett Garfield Publication.*

Tread Design Guide catalog, item Yokohama Y524 (L-5) TL-N Rock Extra Deep Tread, p. 171, 2004, Bennett Garfield Publication.*

* cited by examiner

Primary Examiner—Elizabeth A. Albert

(74) *Attorney, Agent, or Firm*—Birch, Stewart, Kolasch & Birch, LLP

(57) **CLAIM**

The ornamental design for “erasing wheel,” as shown and described.

DESCRIPTION

FIG. 1 is a perspective view of “erasing wheel” showing my new design thereof;

FIG. 2 is a right side elevational view thereof;

FIG. 3 is a top plan view thereof;

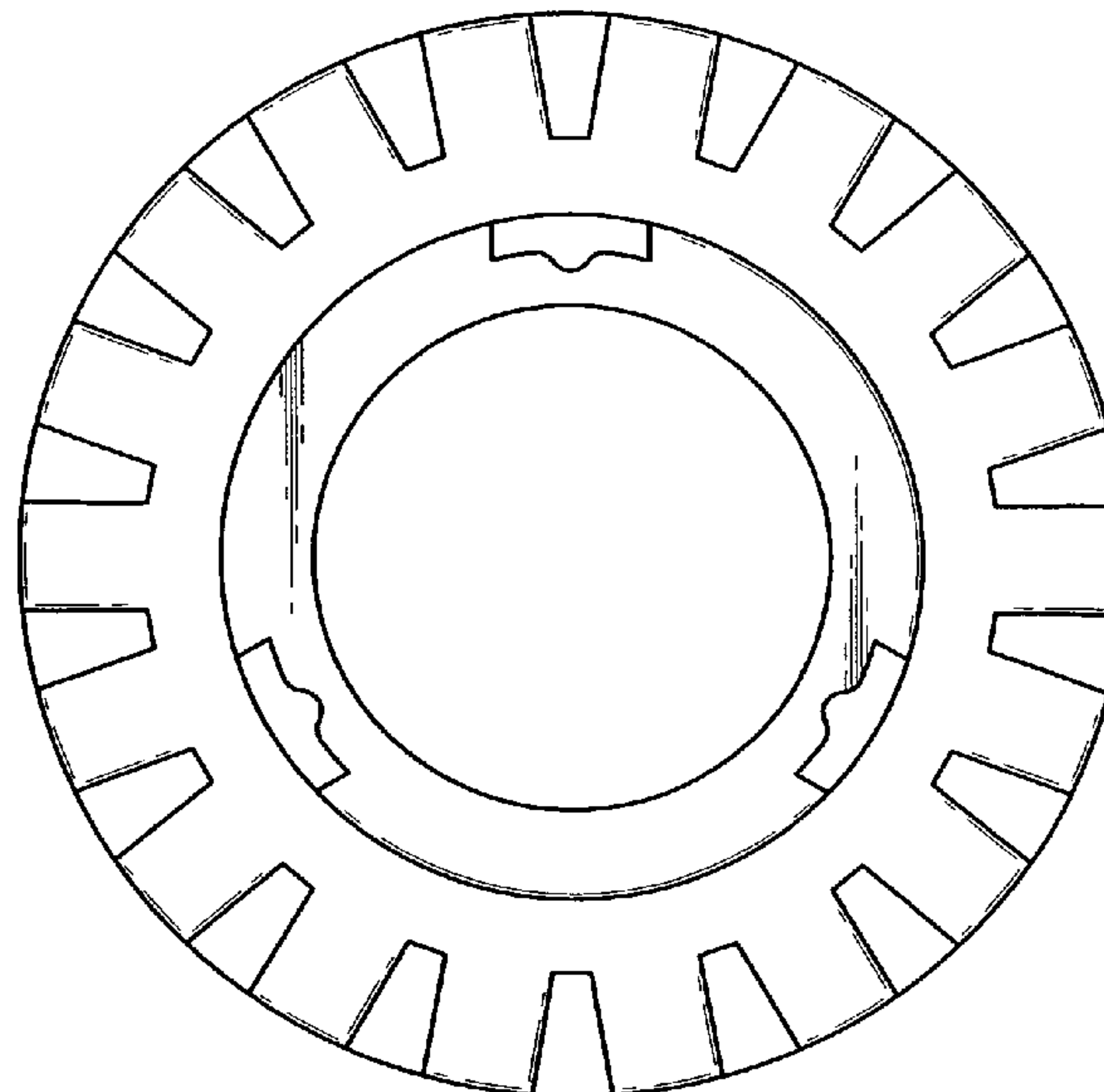
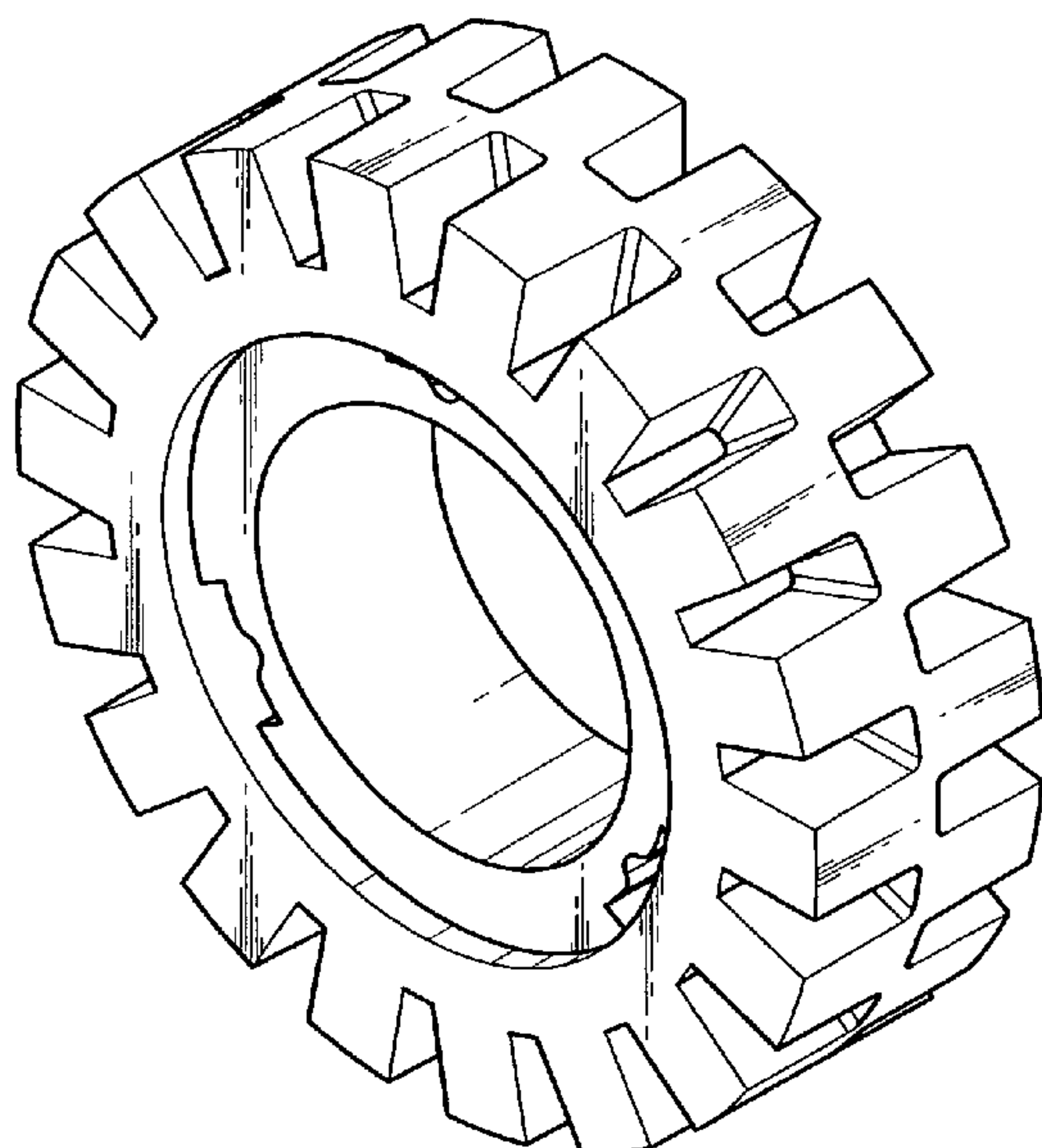
FIG. 4 is a front elevational view thereof;

FIG. 5 is a bottom plan view thereof.;

FIG. 6 is a left side elevational view thereof; and,

FIG. 7 is a rear elevational view thereof.

1 Claim, 4 Drawing Sheets



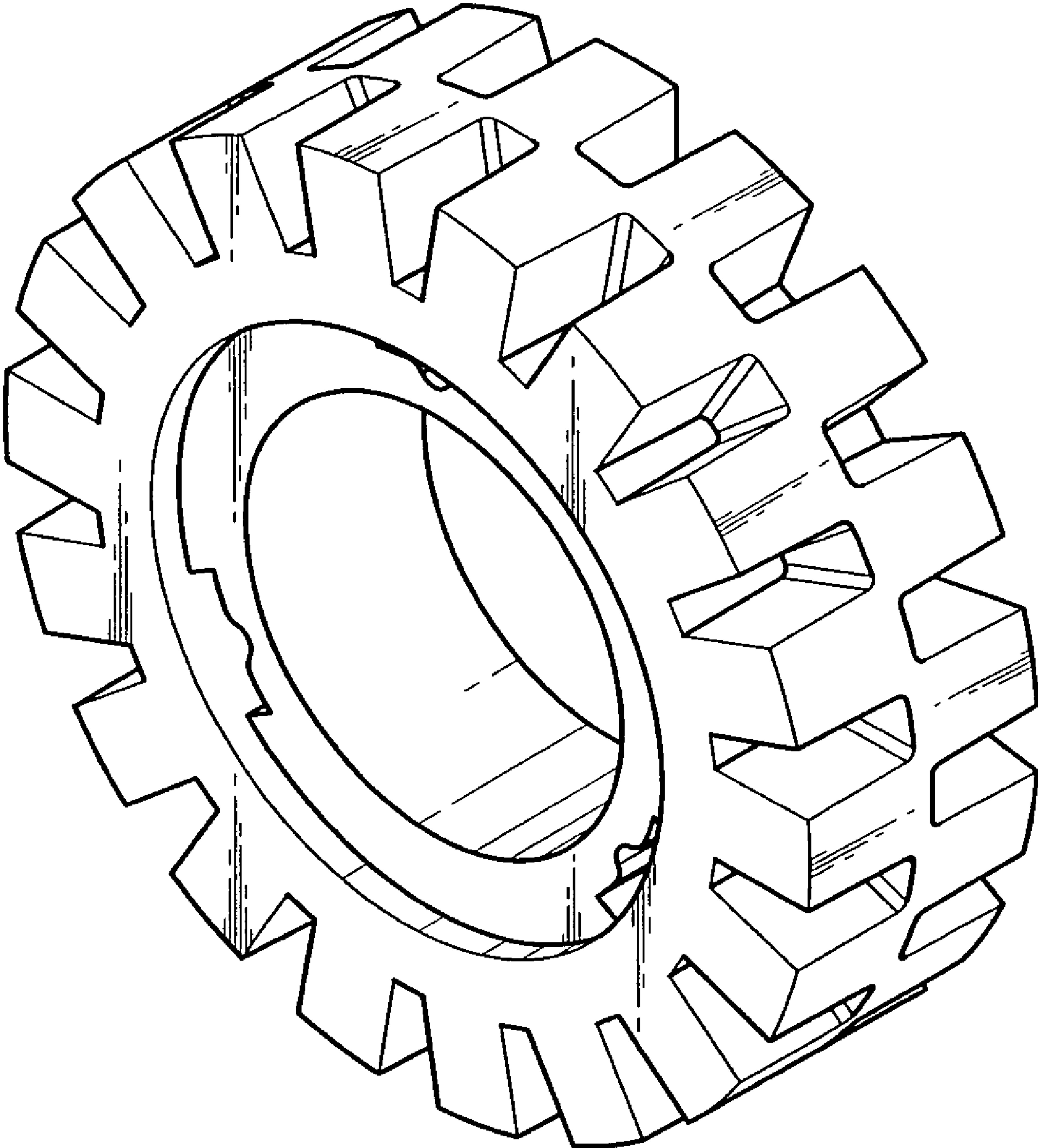


Fig. 1

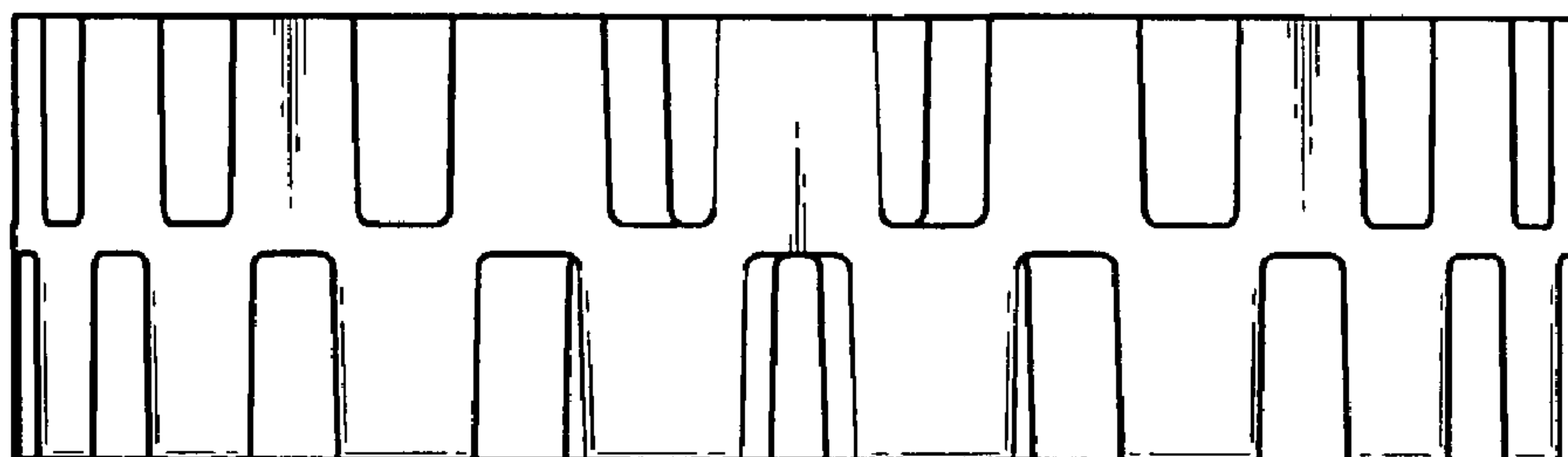


Fig. 3

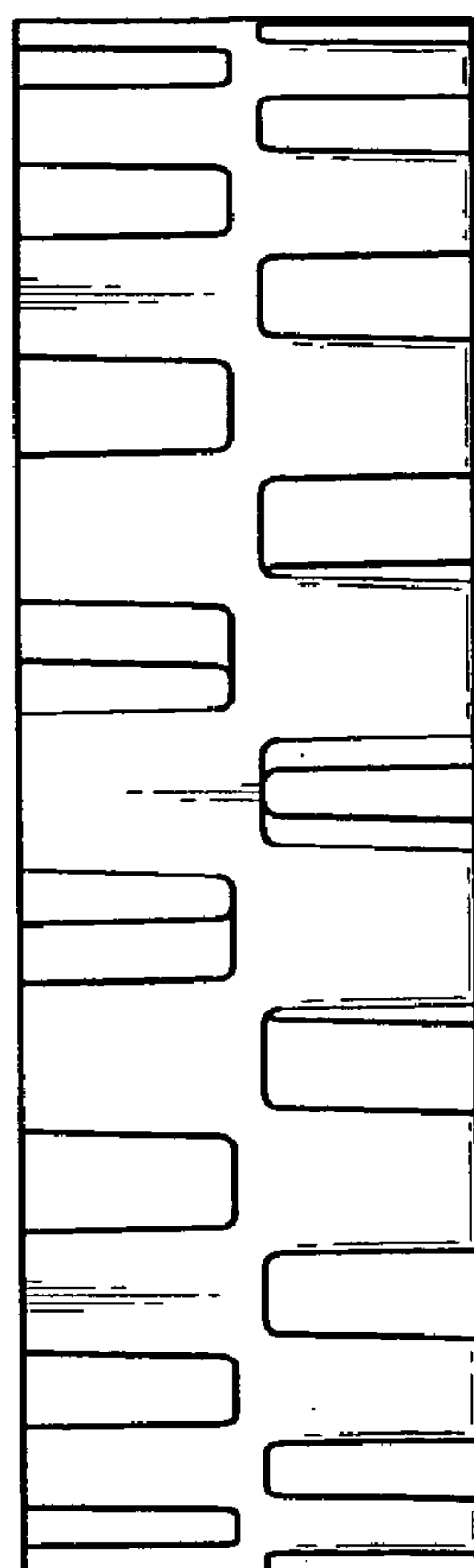


Fig. 2

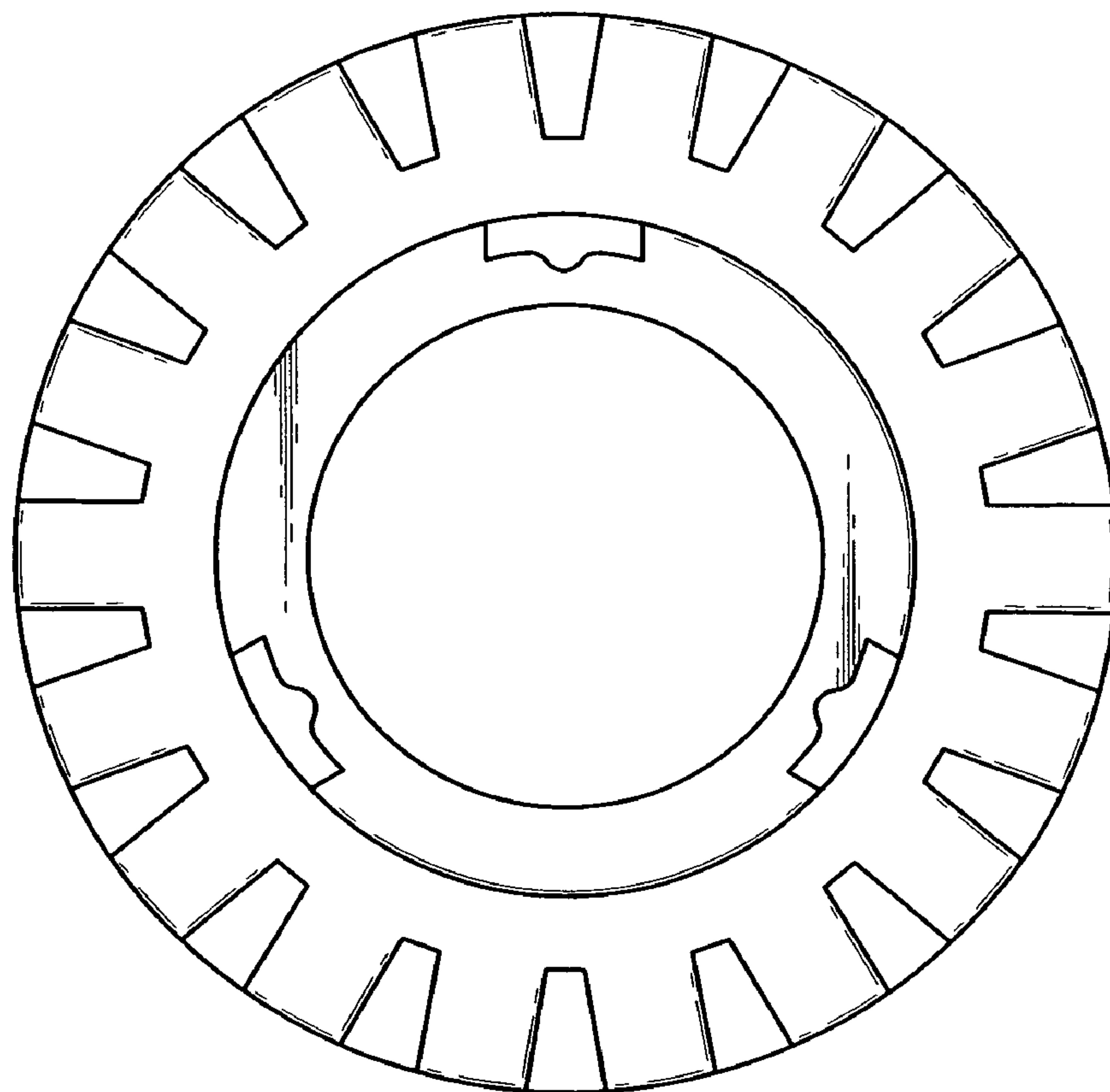


Fig. 4

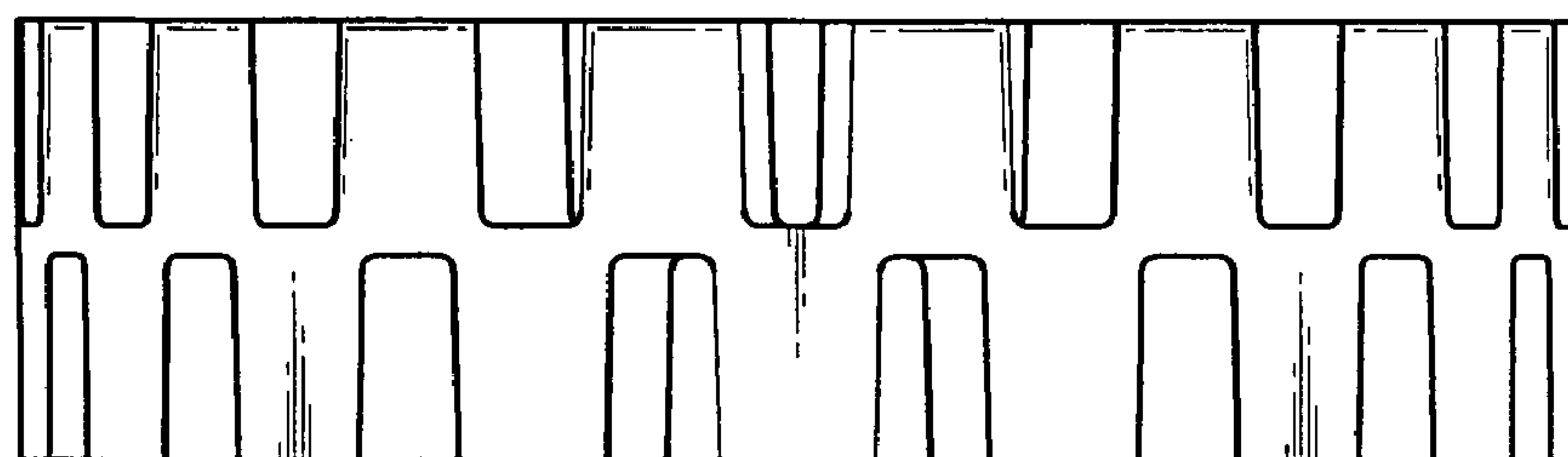


Fig. 5

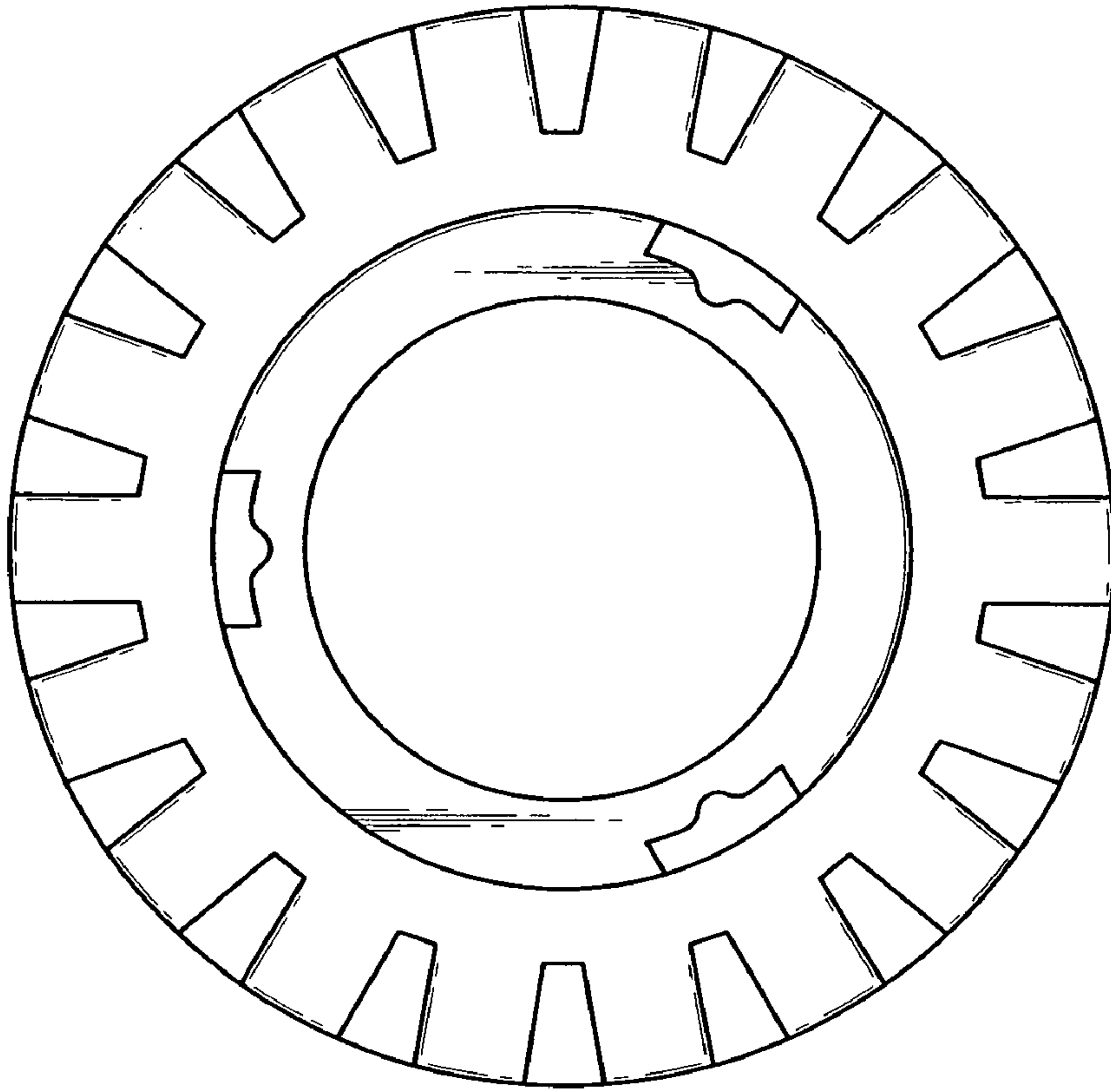


Fig. 7

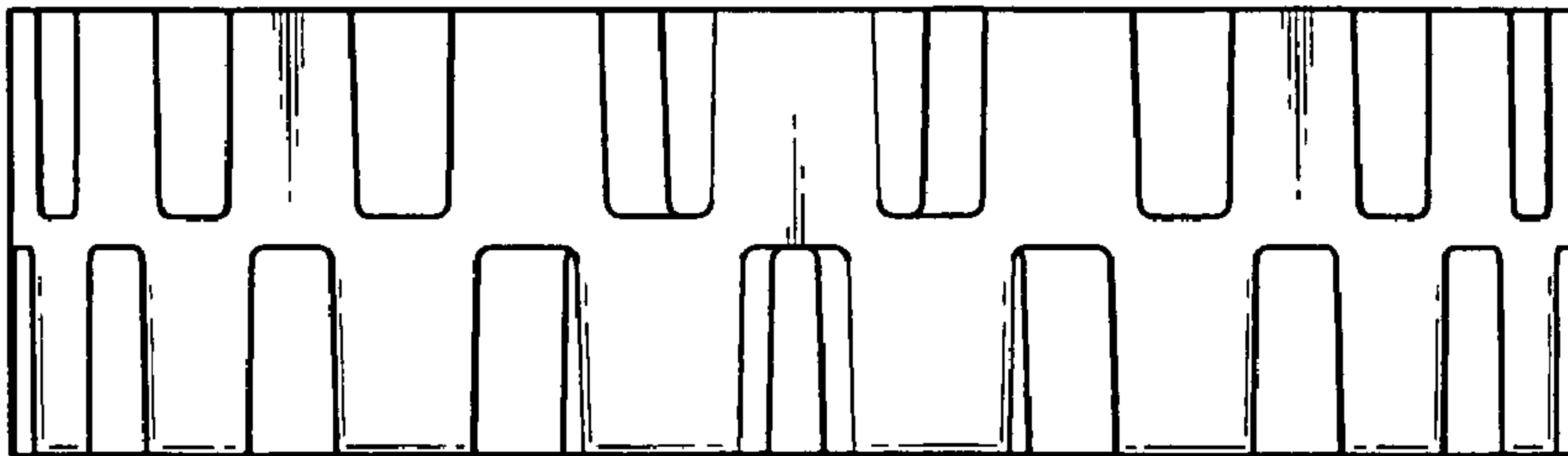


Fig. 6