

US00D549284S

(12) **United States Design Patent**
Morgante

(10) **Patent No.:** **US D549,284 S**

(45) **Date of Patent:** **** Aug. 21, 2007**

(54) **CRAYON MINI**

(76) Inventor: **Michele Morgante**, 47 Hunters Run,
Oakland, NJ (US) 07436

(**) Term: **14 Years**

(21) Appl. No.: **29/226,901**

(22) Filed: **Apr. 5, 2005**

(51) **LOC (8) Cl.** **19-06**

(52) **U.S. Cl.** **D19/41**

(58) **Field of Classification Search** D19/36,
D19/37, 41-51, 54-57; 24/11 R, 11 F, 11 P;
401/52, 99, 100, 104, 105, 106, 107, 108,
401/109, 192, 195, 243-247, 262, 264
See application file for complete search history.

(56) **References Cited**

U.S. PATENT DOCUMENTS

2,416,596	A *	2/1947	Rosenthal	401/199
D256,135	S *	7/1980	Storms	D19/43
D282,672	S *	2/1986	LeBlanc et al.	D19/49
D290,851	S *	7/1987	Yoshida	D19/41
4,685,820	A *	8/1987	Kremer et al.	401/260
D300,640	S *	4/1989	Coletta et al.	D19/51
D306,873	S *	3/1990	Yazaki	D19/36
D307,920	S *	5/1990	Sekiguchi	D19/57
5,988,909	A *	11/1999	Luke et al.	401/6
6,048,121	A *	4/2000	Carver	401/52

6,375,376	B1 *	4/2002	Hsu	401/247
6,488,429	B2 *	12/2002	Korper	401/186
6,505,984	B2 *	1/2003	Smith et al.	401/52
D482,728	S *	11/2003	Koch	D19/51
6,641,320	B1 *	11/2003	Ballot et al.	401/206
6,783,295	B2 *	8/2004	Yasunaga	401/202
6,840,403	B2 *	1/2005	Girouard	222/1
D510,750	S *	10/2005	Ha	D19/51
7,073,967	B2 *	7/2006	Choi et al.	401/199
2005/0069374	A1 *	3/2005	Vial et al.	401/198

* cited by examiner

Primary Examiner—Elizabeth A. Albert

(57) **CLAIM**

The ornamental design for a crayon mini, as shown and described.

DESCRIPTION

FIG. 1 is a front elevation view of a crayon mini, the rear elevation view being a mirror image of the front;

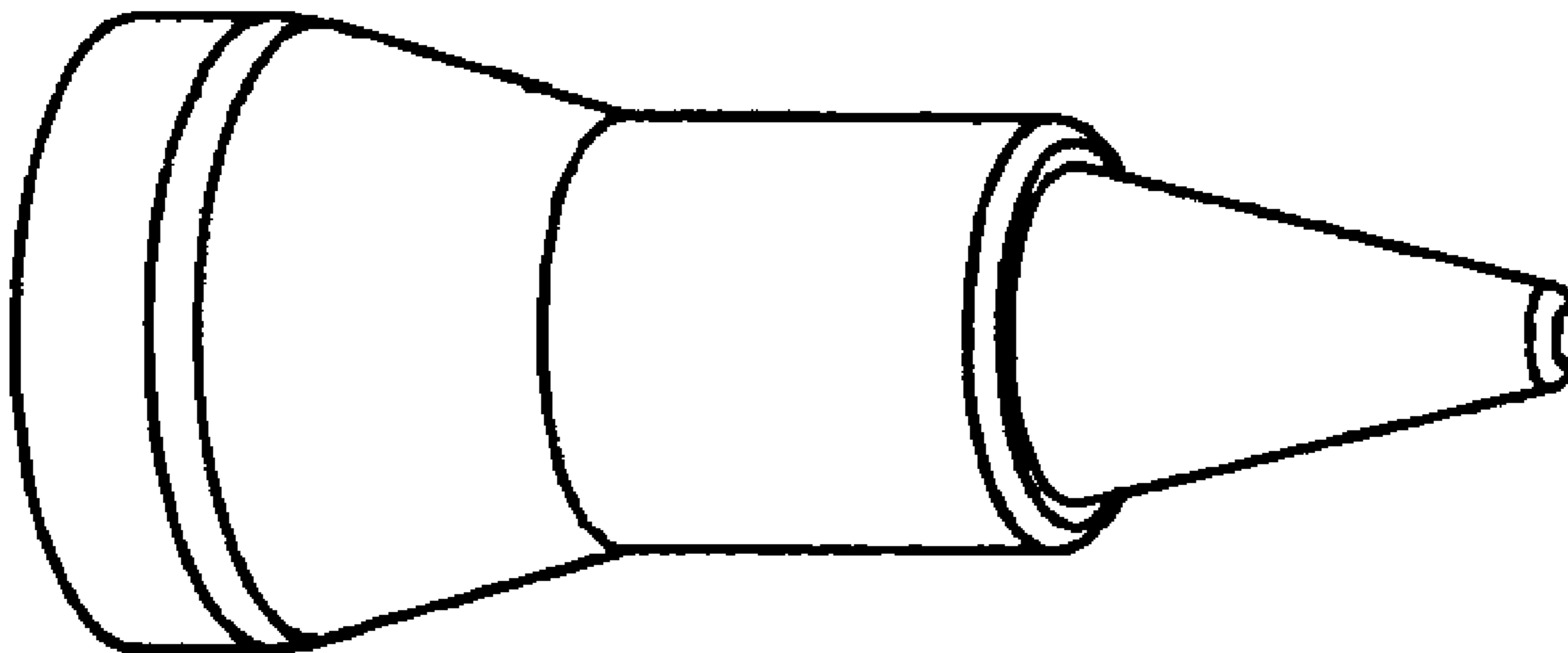
FIG. 2 is a top plan view thereof;

FIG. 3 is a bottom plan view thereof;

FIG. 4 is a side elevation view thereof, rotated 90 degrees in two directions from the view shown in FIG. 1; and,

FIG. 5 is a perspective view thereof.

1 Claim, 1 Drawing Sheet



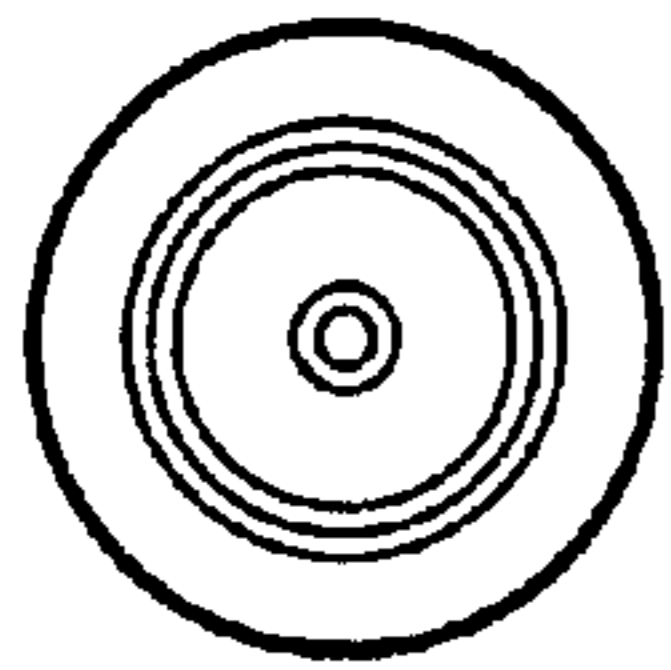


FIGURE 2

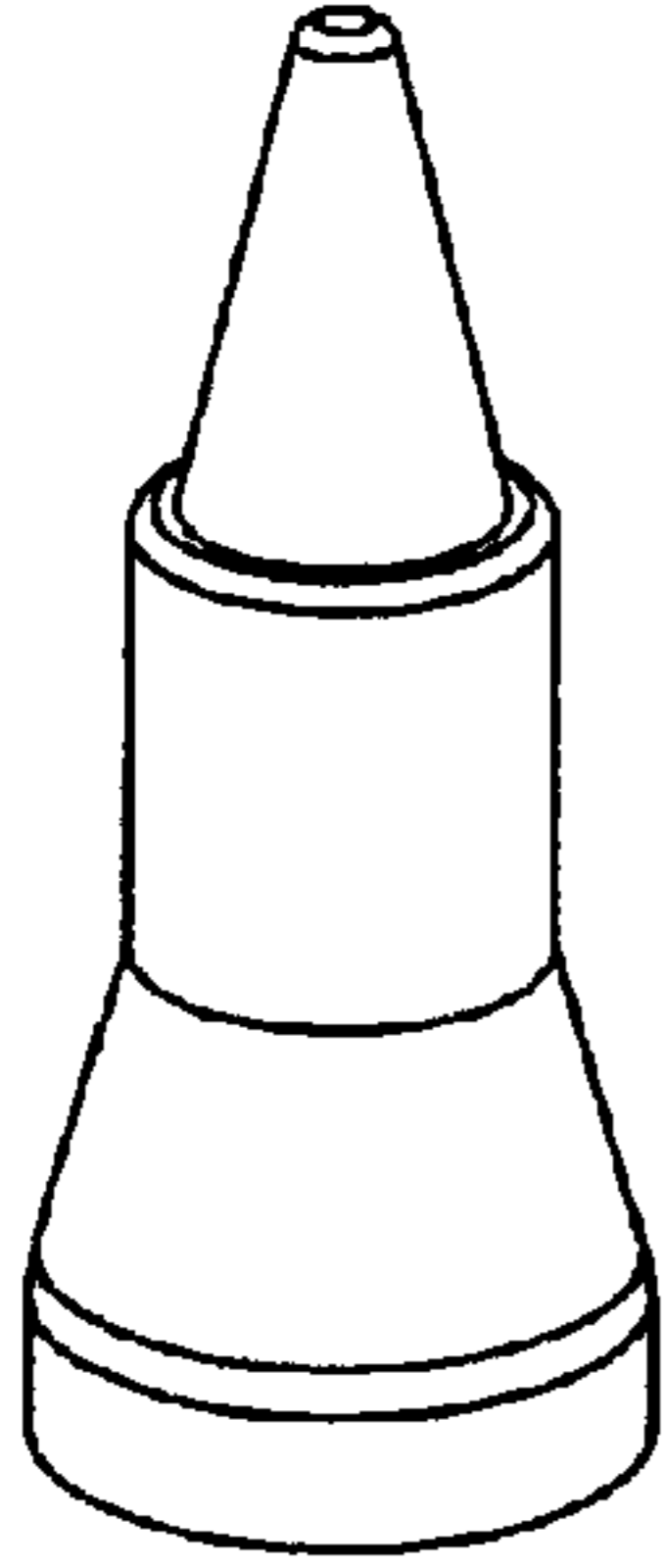


FIGURE 5

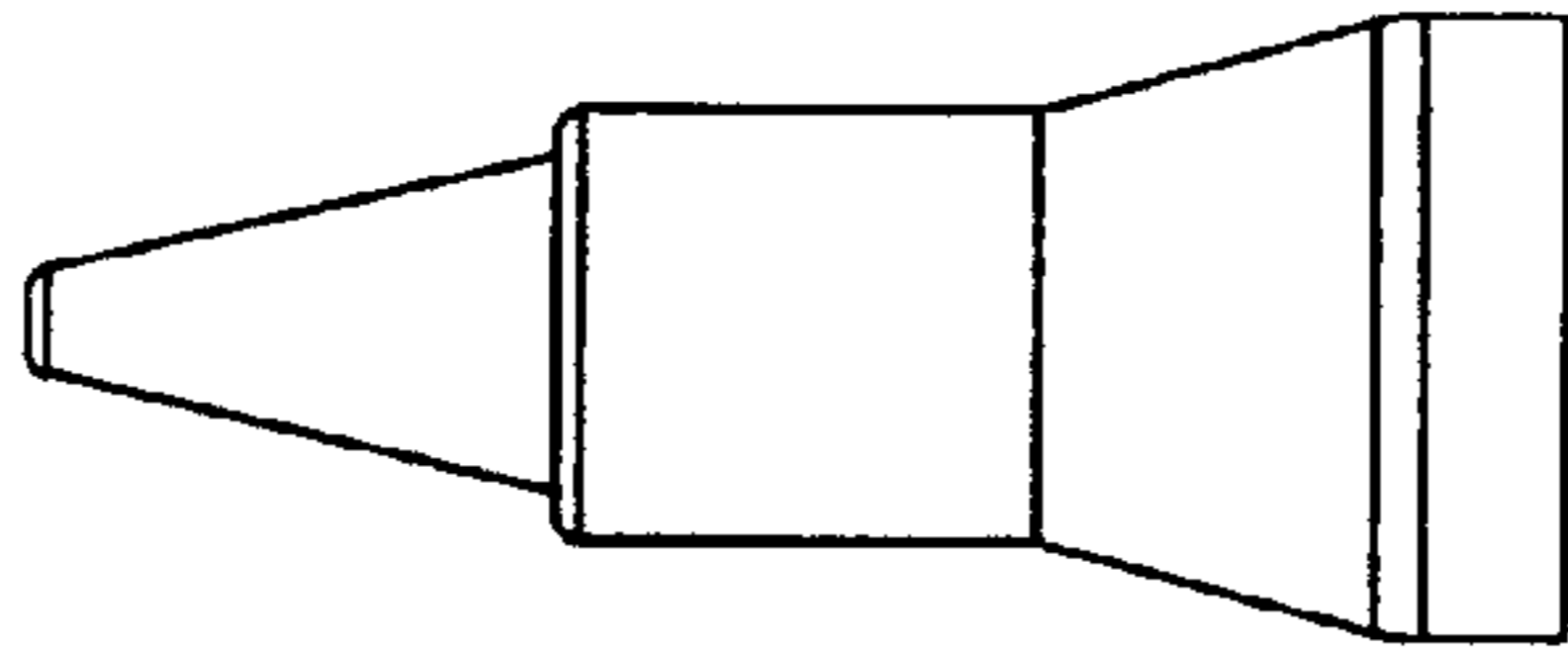


FIGURE 1

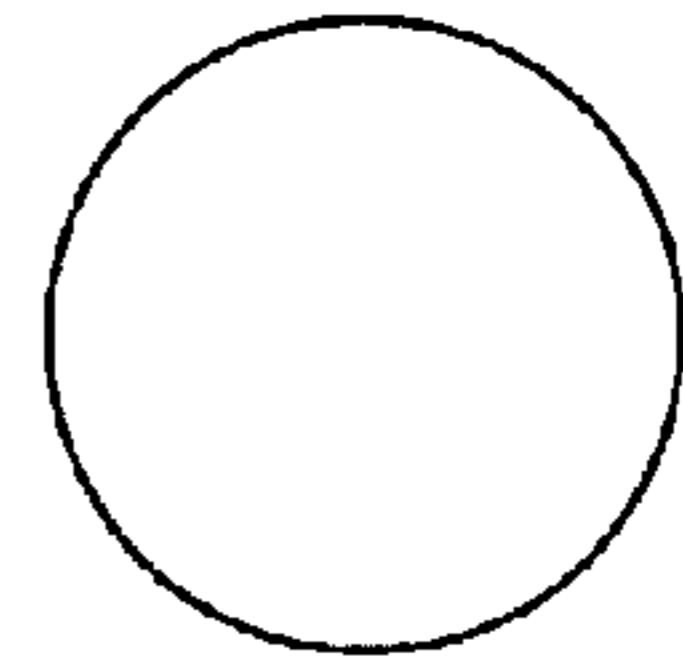


FIGURE 3

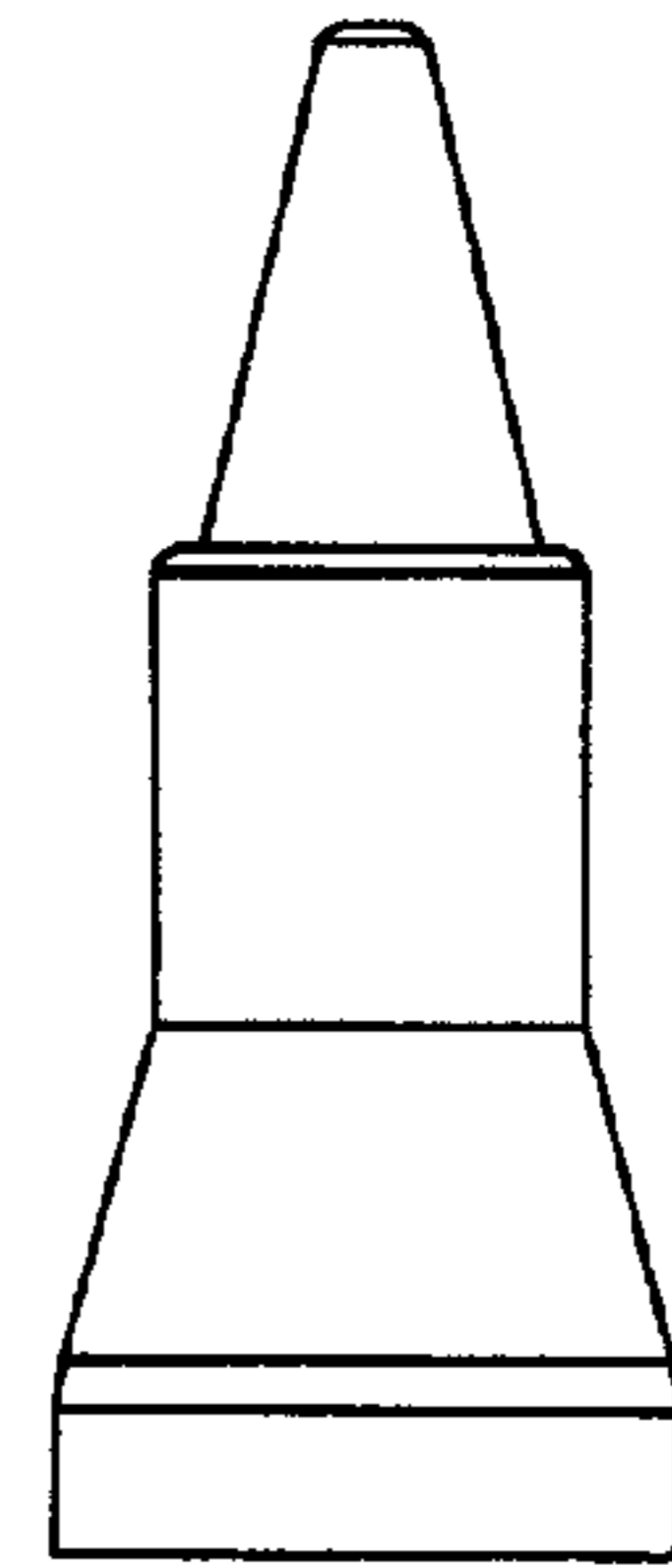


FIGURE 4