

US00D549278S

(12) **United States Design Patent**  
**Ramos et al.**

(10) **Patent No.:** **US D549,278 S**

(45) **Date of Patent:** **\*\* Aug. 21, 2007**

(54) **PRINTER ACCESSORY**

D359,066 S \* 6/1995 Kondo et al. .... D18/39  
5,572,284 A \* 11/1996 Fujioka .... D18/36

(75) Inventors: **Alvaro Pardo Ramos**, Guadalajara (MX); **Carlos Raymundo Garnier Ortiz**, Guadalajara (MX)

\* cited by examiner

*Primary Examiner*—Robert M. Spear  
*Assistant Examiner*—Garth Rademaker

(73) Assignee: **Hewlett-Packard Development Company, L.P.**, Houston, TX (US)

(57) **CLAIM**

(\*\*) Term: **14 Years**

We claim the ornamental design for a printer accessory, as shown and described.

(21) Appl. No.: **29/215,705**

(22) Filed: **Oct. 22, 2004**

**DESCRIPTION**

(51) **LOC (8) Cl.** ..... **18-99**

FIG. 1 is a top perspective view of our design for a printer accessory;

(52) **U.S. Cl.** ..... **D18/47; D18/40**

FIG. 2 is a top perspective view thereof, shown at an enlarged scale;

(58) **Field of Classification Search** ..... D18/36-41,  
D18/45-49, 55-57; D14/462-471; 222/DIG. 1;  
271/3.02, 3.03, 3.08, 145, 160, 171, 226,  
271/264; 355/97, 112; 399/16, 17, 361,  
399/381-383, 388, 393

FIG. 3 is a rear elevational view thereof;

FIG. 4 is a left side elevational view thereof;

FIG. 5 is a right side elevational view thereof;

FIG. 6 is a front elevational view thereof; and,

FIG. 7 is a top plan view thereof.

See application file for complete search history.

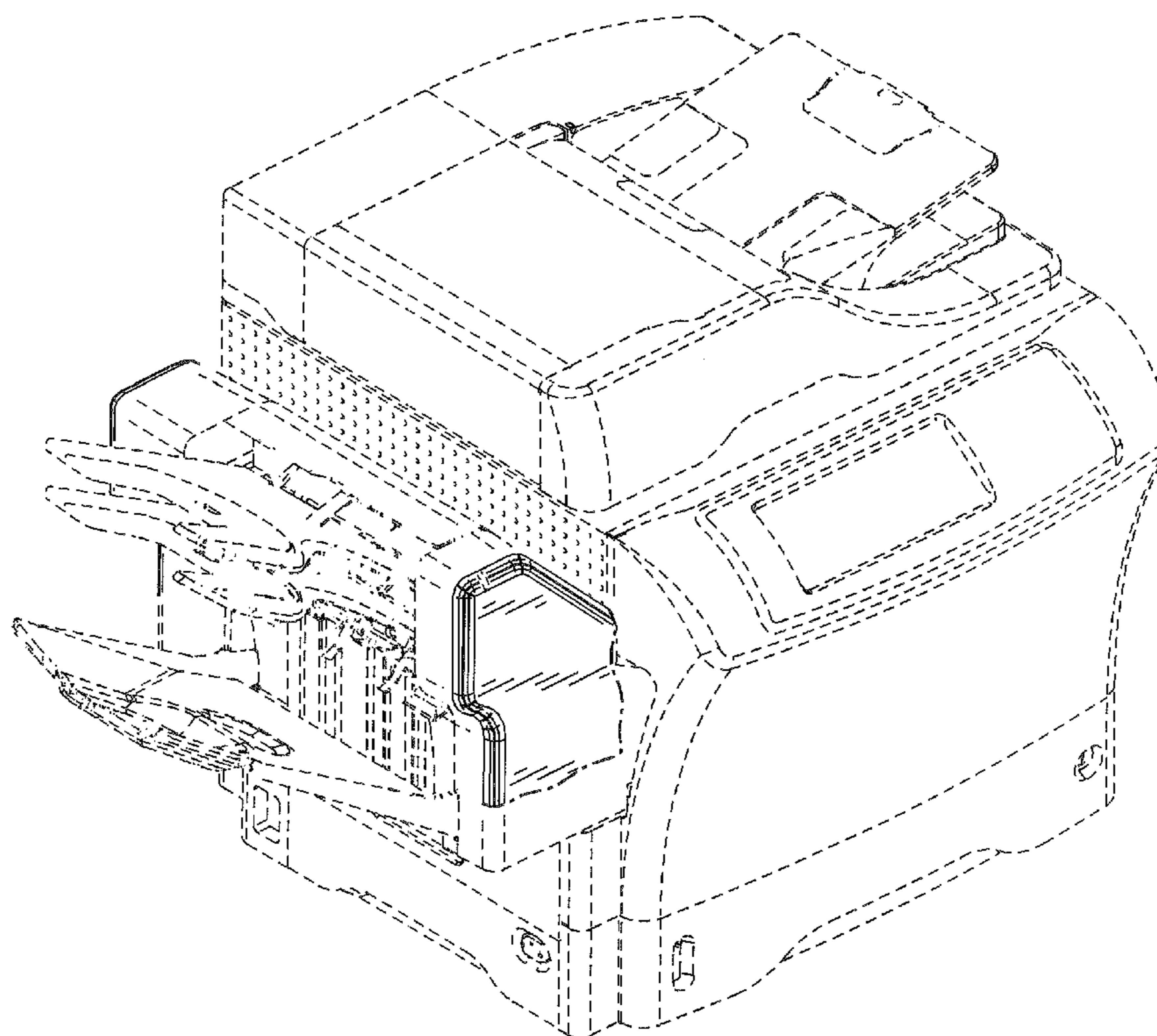
The broken lines in the drawings immediately adjacent the shaded areas represent the bounds of the claimed design while all other broken lines are directed to environment and are for illustrative purposes only; the broken lines form no part of the claimed design.

(56) **References Cited**

**U.S. PATENT DOCUMENTS**

D108,282 S \* 2/1938 Finch ..... D14/462  
3,538,887 A \* 11/1970 Rueckwald ..... 222/DIG. 1  
D227,121 S \* 6/1973 Harrison ..... D14/463  
D316,564 S \* 4/1991 Kosako et al. .... D18/39  
D323,821 S \* 2/1992 Ishikawa et al. .... D14/462

**1 Claim, 7 Drawing Sheets**



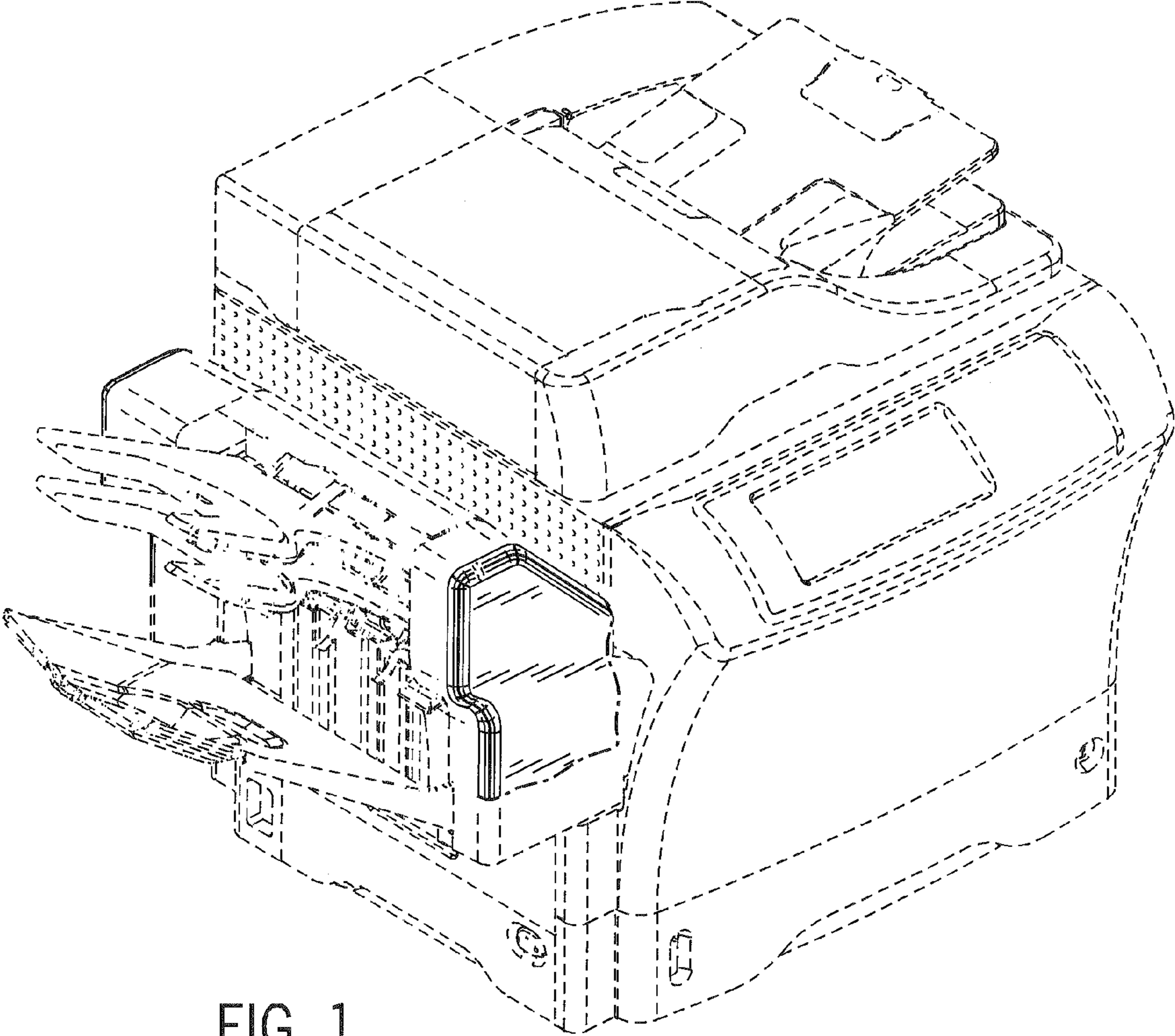


FIG. 1

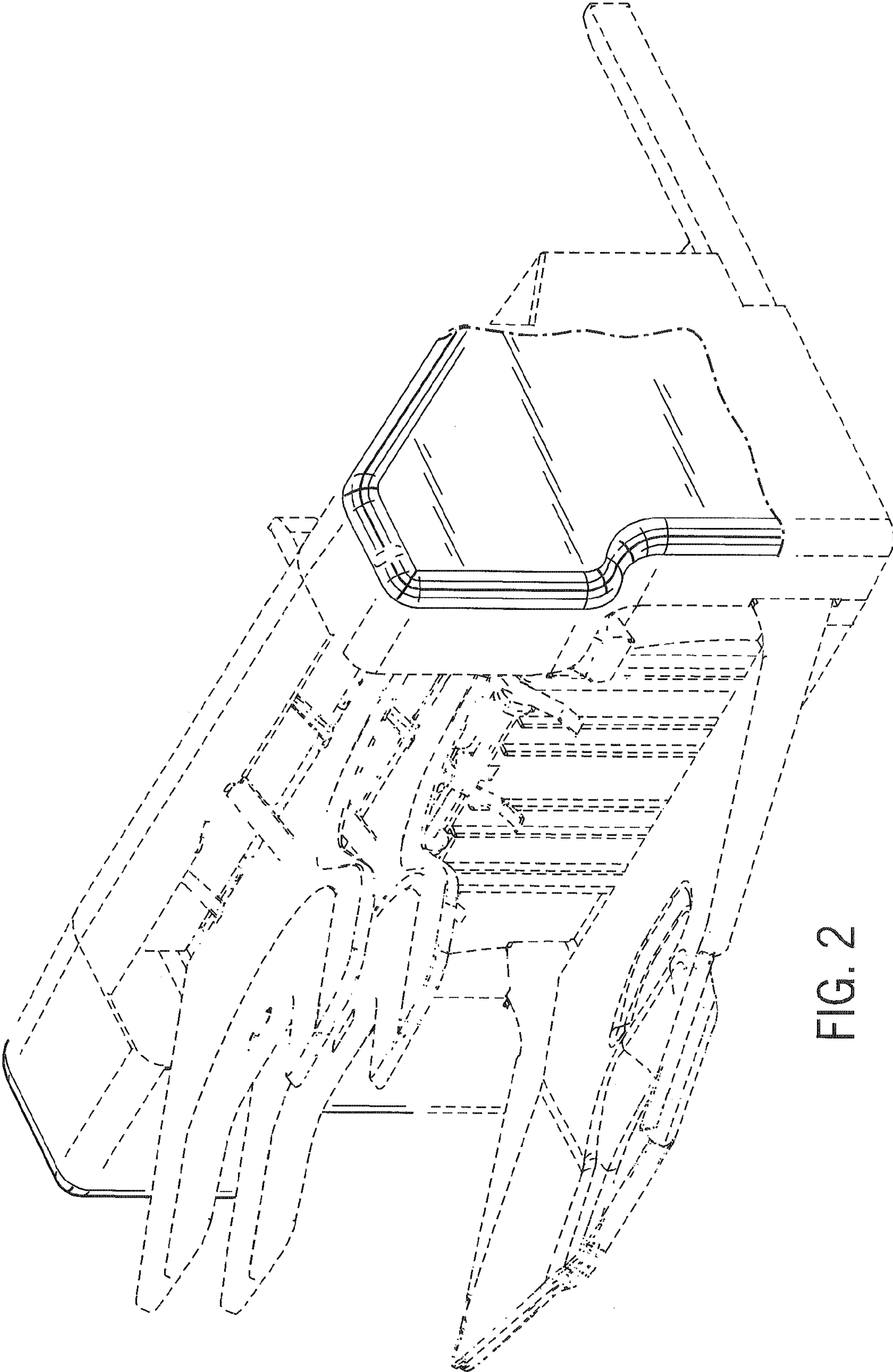


FIG. 2

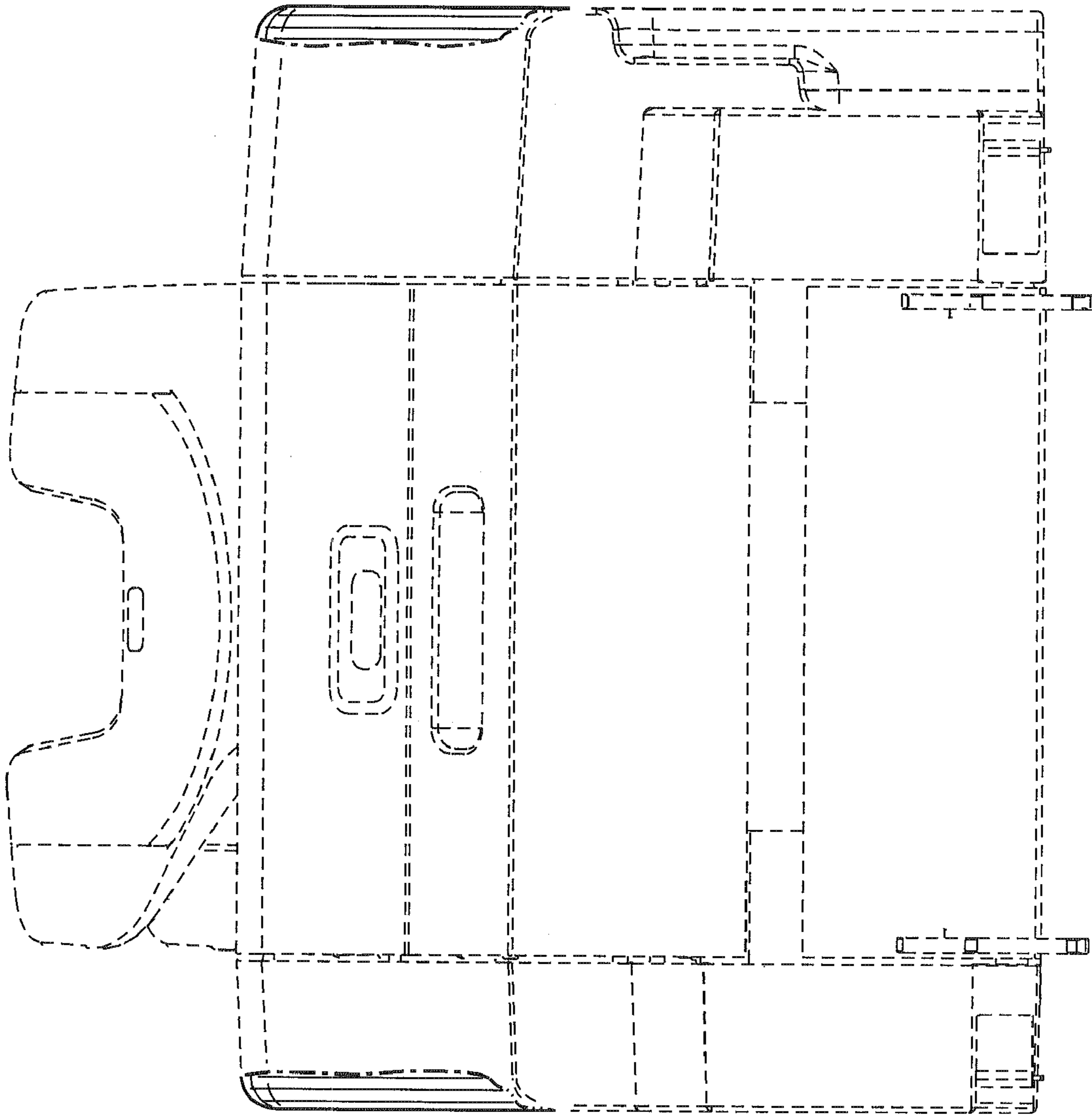


FIG. 3



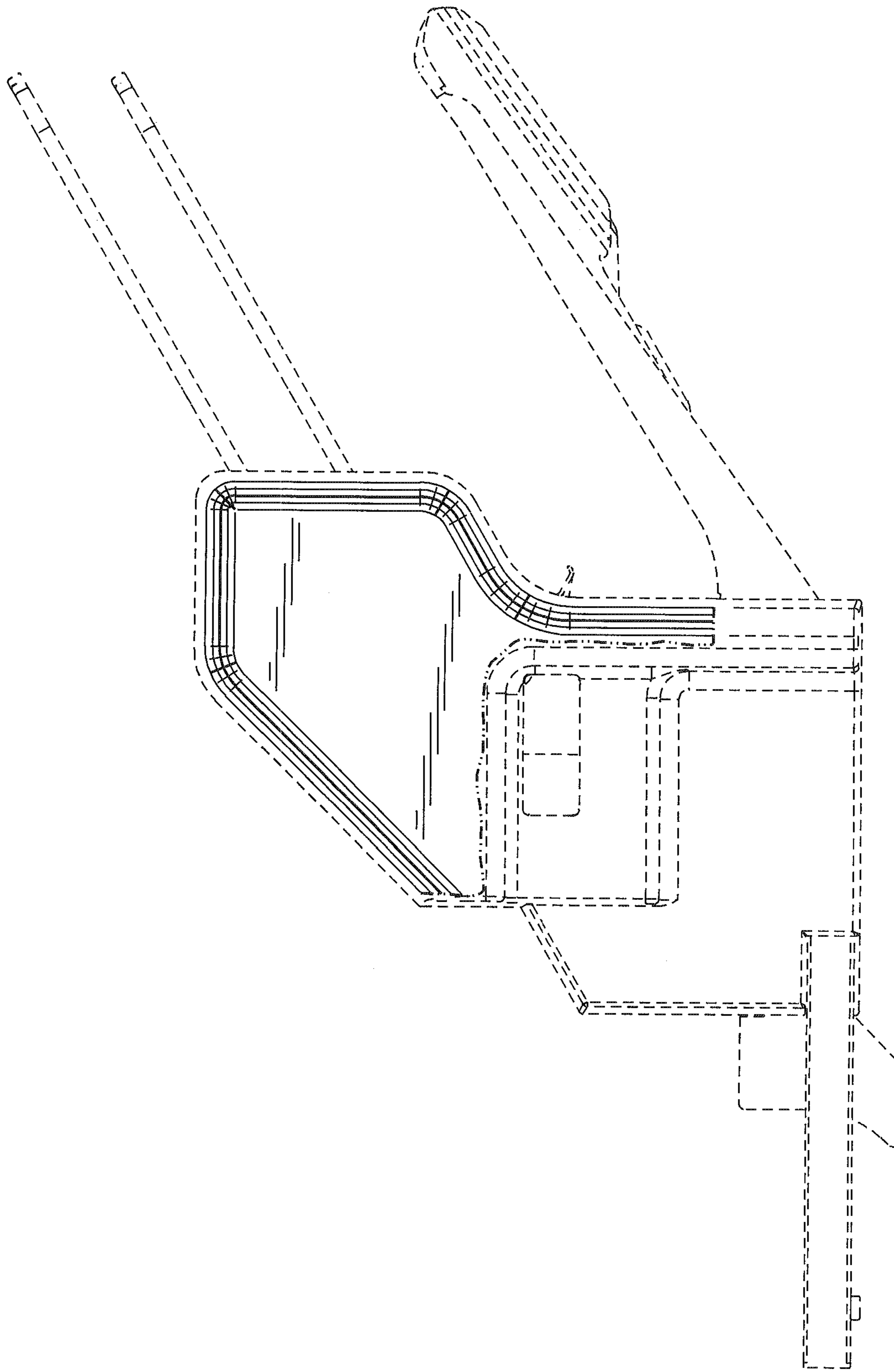


FIG. 4

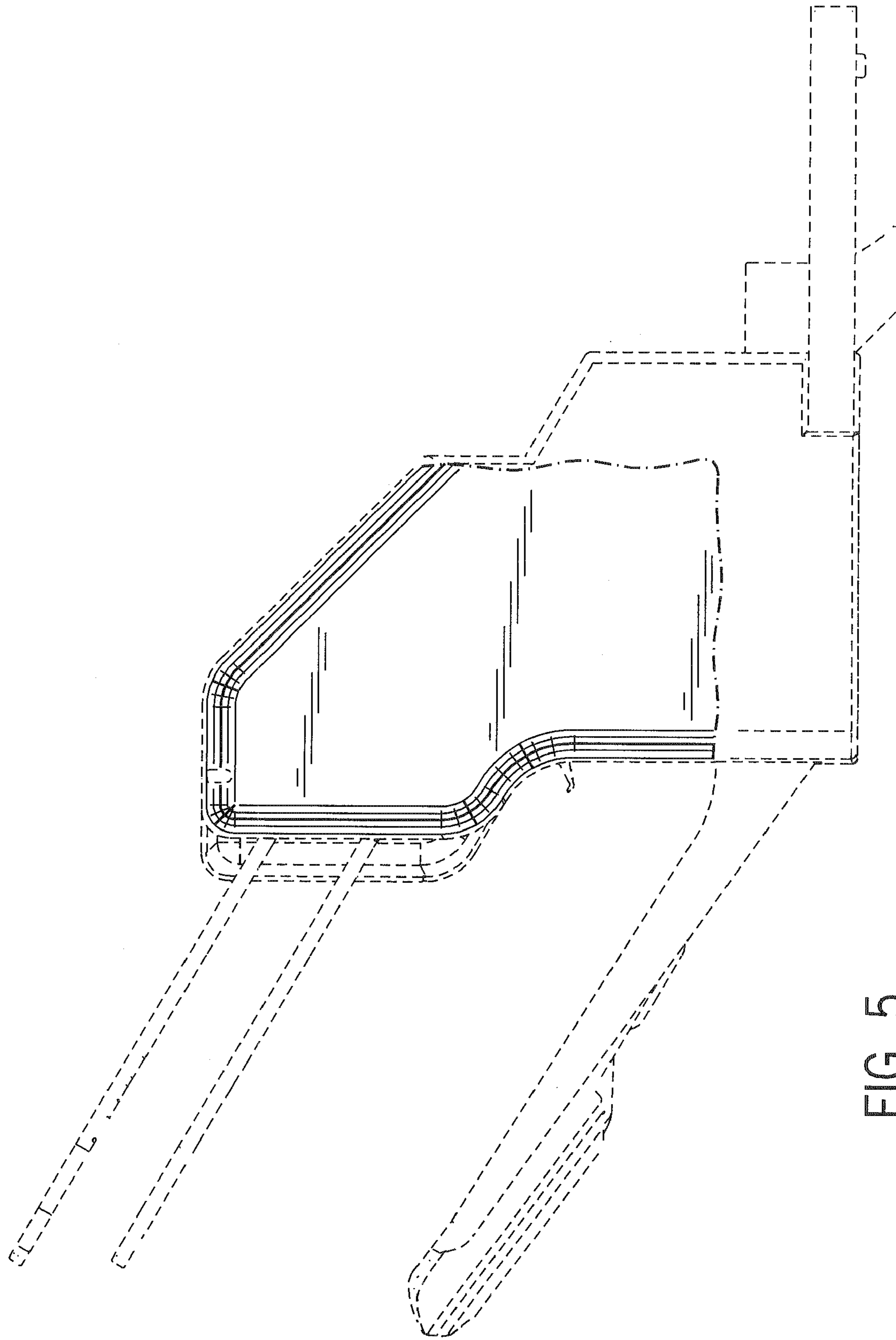


FIG. 5

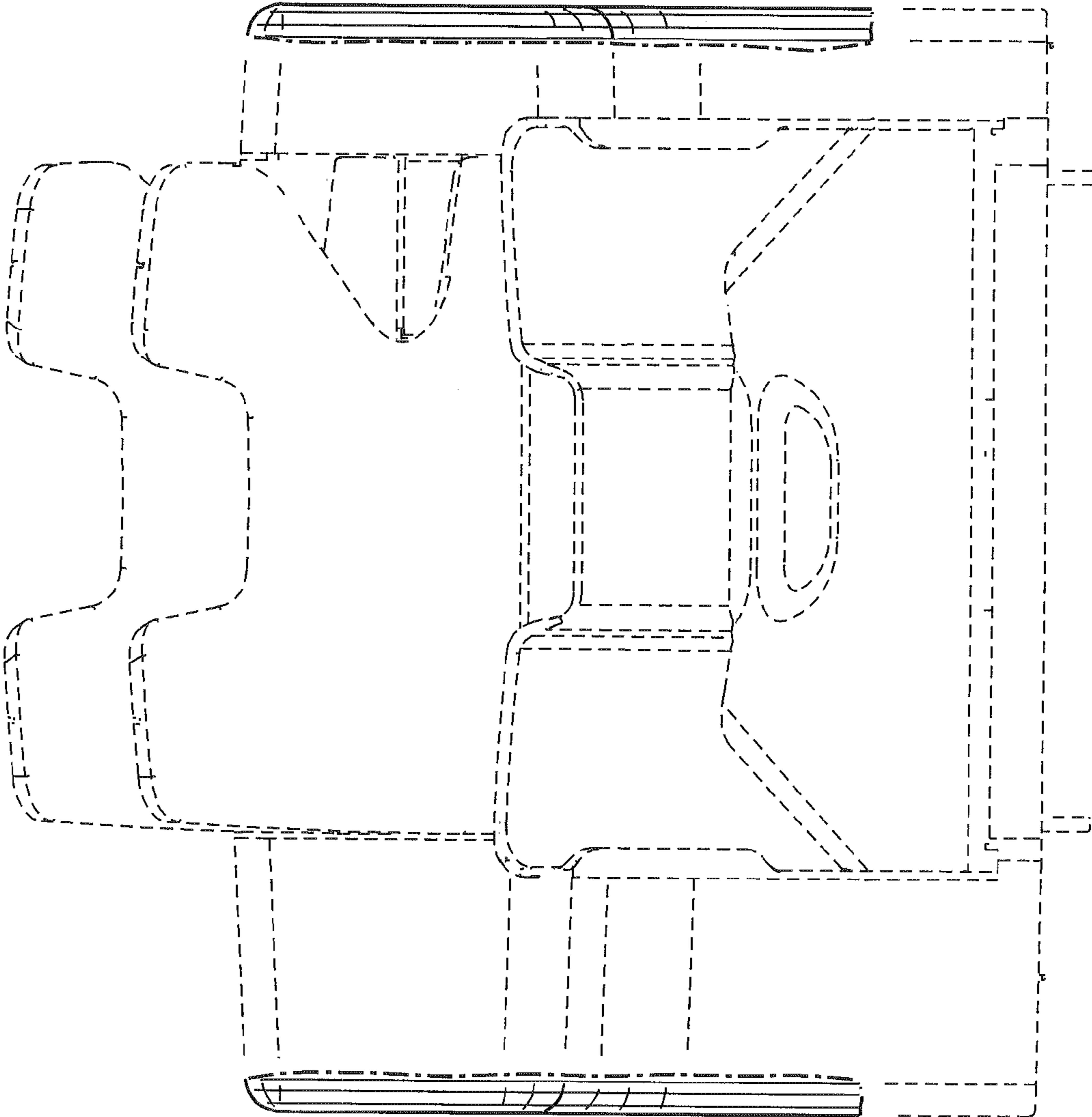


FIG. 6

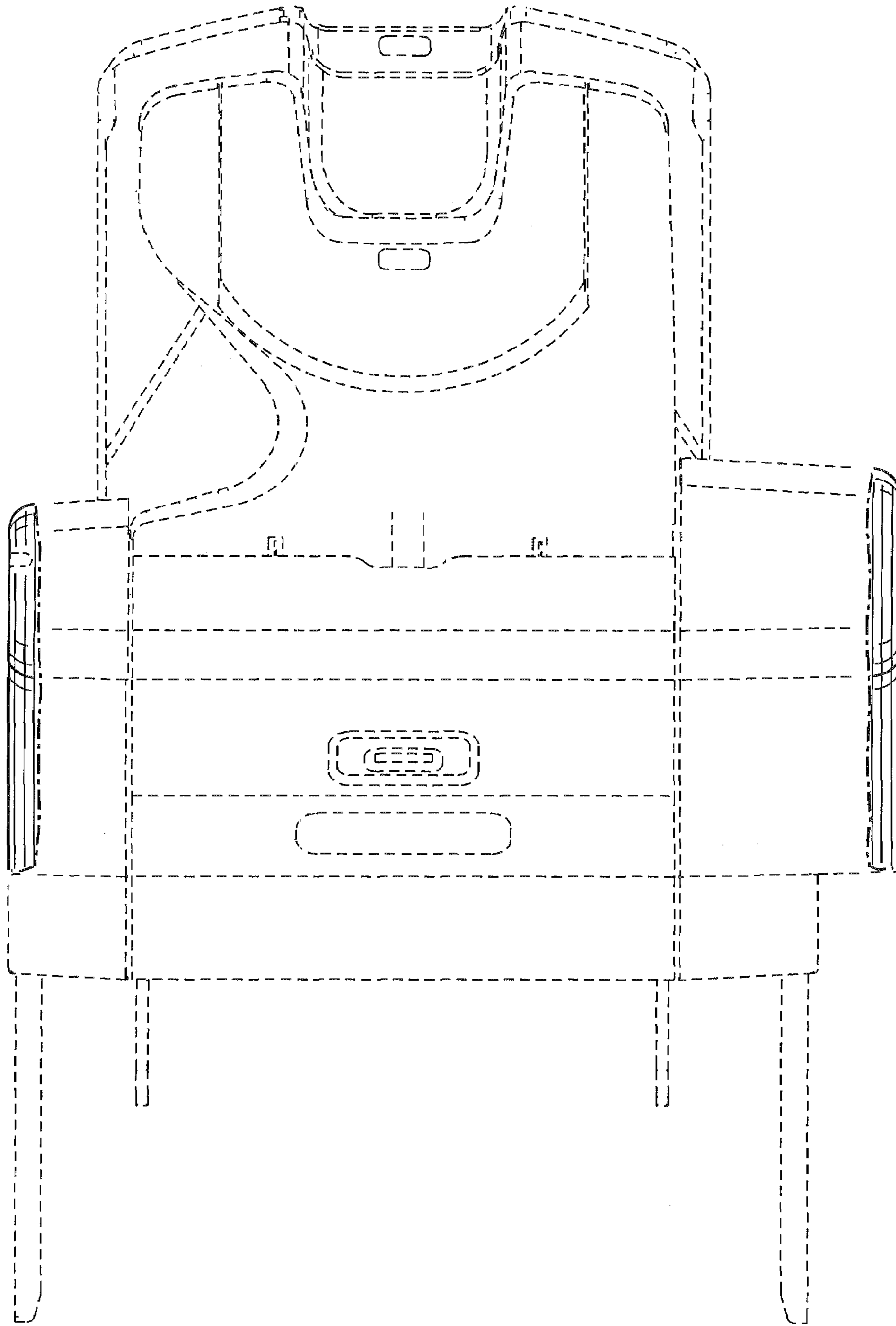


FIG. 7