



US00D549277S

(12) **United States Design Patent**
Ramos et al.

(10) **Patent No.: US D549,277 S**

(45) **Date of Patent: ** Aug. 21, 2007**

(54) **PRINTER ACCESSORY**

D359,066 S * 6/1995 Kondo et al. D18/39
5,572,284 A * 11/1996 Fujioka D18/36

(75) Inventors: **Alvaro Pardo Ramos**, Guadalajara (MX); **Carlos Raymundo Garnier Ortiz**, Guadalajara (MX)

* cited by examiner

Primary Examiner—Robert M. Spear
Assistant Examiner—Garth Rademaker

(73) Assignee: **Hewlett-Packard Development Company, L.P.**, Houston, TX (US)

(57) **CLAIM**

(**) Term: **14 Years**

We claim the ornamental design for a printer accessory, as shown and described.

(21) Appl. No.: **29/215,651**

(22) Filed: **Oct. 22, 2004**

DESCRIPTION

(51) **LOC (8) Cl.** **18-99**

FIG. 1 is a top perspective view of our design for a printer accessory;

(52) **U.S. Cl.** **D18/47; D18/40**

FIG. 2 is a top perspective view thereof, shown at an enlarged scale;

(58) **Field of Classification Search** D18/36-41, D18/45-49, 55-57; D14/462-471; 222/DIG. 1; 271/3.02, 3.03, 3.08, 145, 160, 171, 226, 271/264; 355/97, 112; 399/16, 17, 361, 399/381-383, 388, 393

FIG. 3 is a rear elevational view thereof;

FIG. 4 is a left side elevational view thereof;

FIG. 5 is a right side elevational view thereof;

FIG. 6 is a front elevational view thereof; and,

FIG. 7 is a top plan view thereof.

See application file for complete search history.

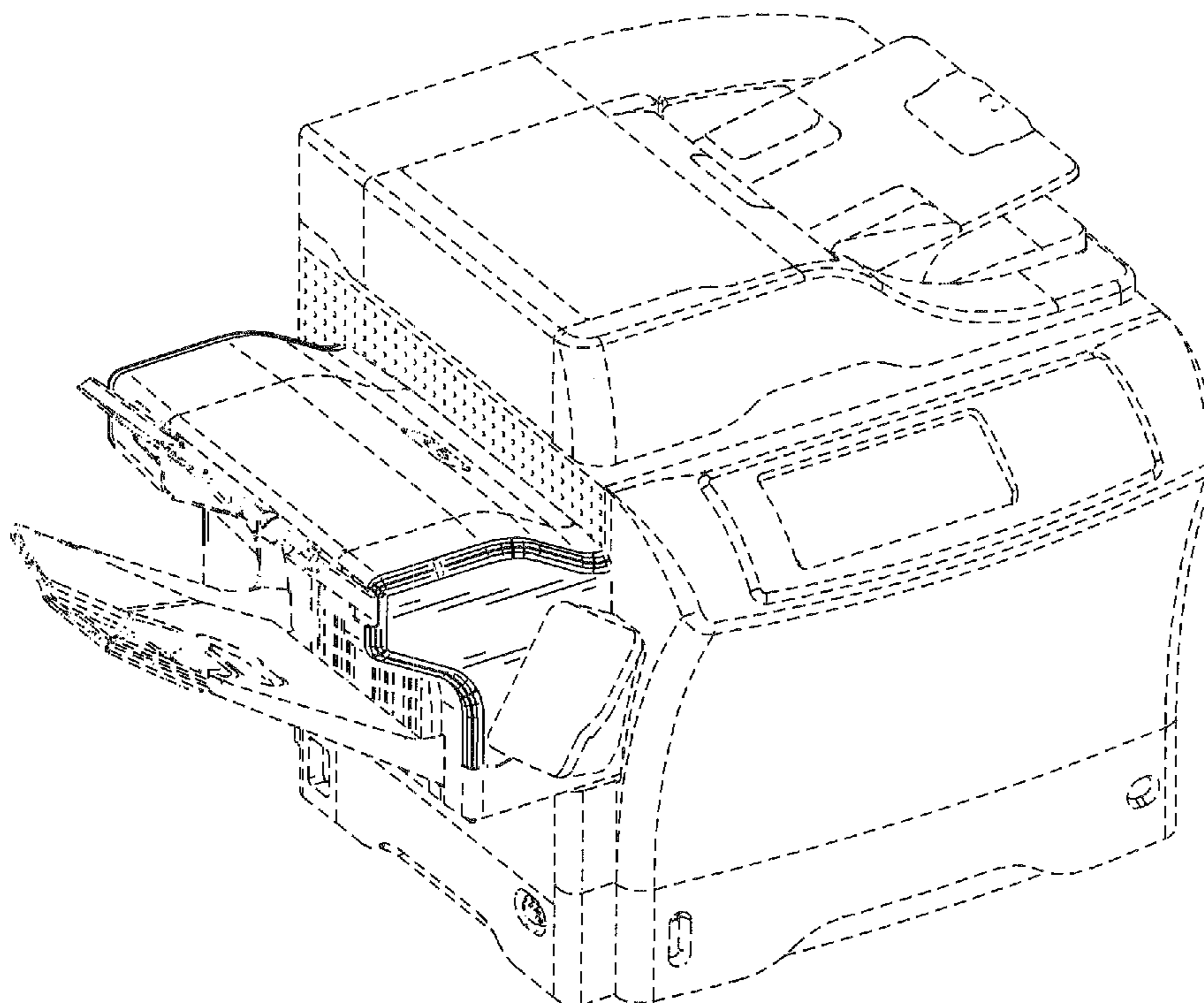
The broken lines in the drawings immediately adjacent the shaded areas represent the bounds of the claimed design while all other broken lines are directed to environment and are for illustrative purposes only; the broken lines form no part of the claimed design.

(56) **References Cited**

U.S. PATENT DOCUMENTS

- D227,121 S * 6/1973 Harrison D14/463
- D286,885 S * 11/1986 Okuyama et al. D18/36
- D297,436 S * 8/1988 Okuyama et al. D18/36
- D316,564 S * 4/1991 Kosako et al. D18/39
- D323,821 S * 2/1992 Ishikawa et al. D14/462

1 Claim, 7 Drawing Sheets



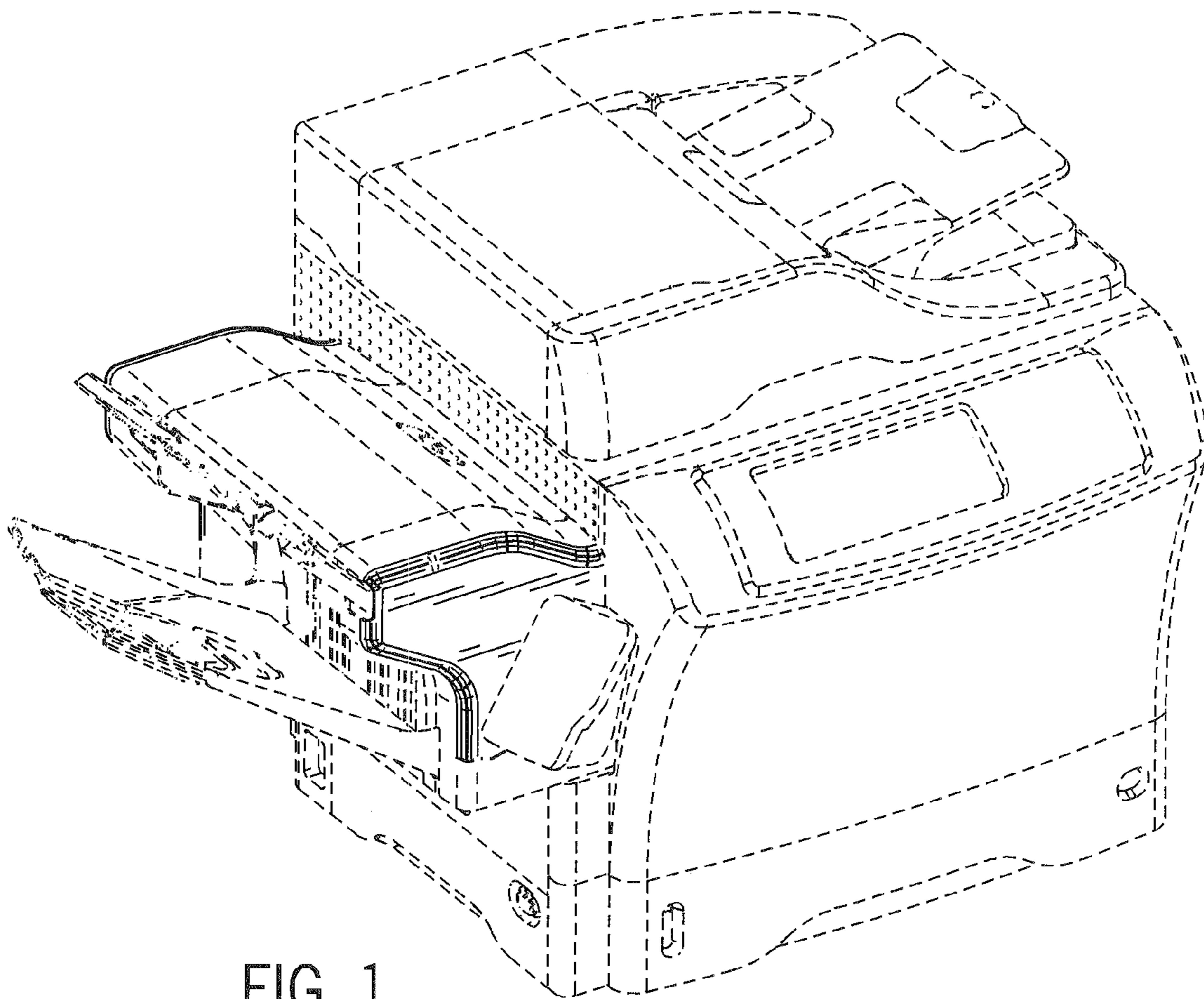


FIG. 1

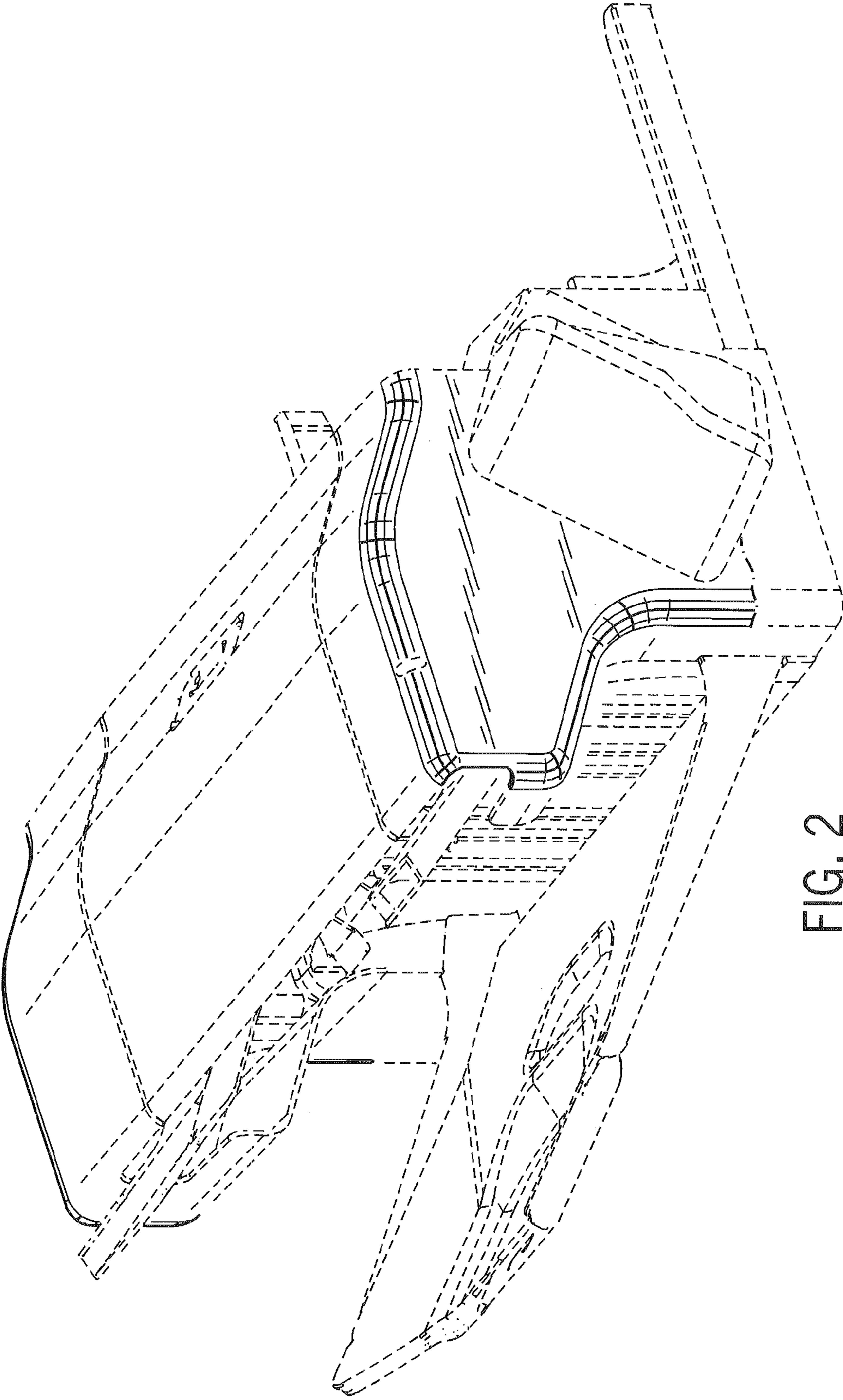


FIG. 2

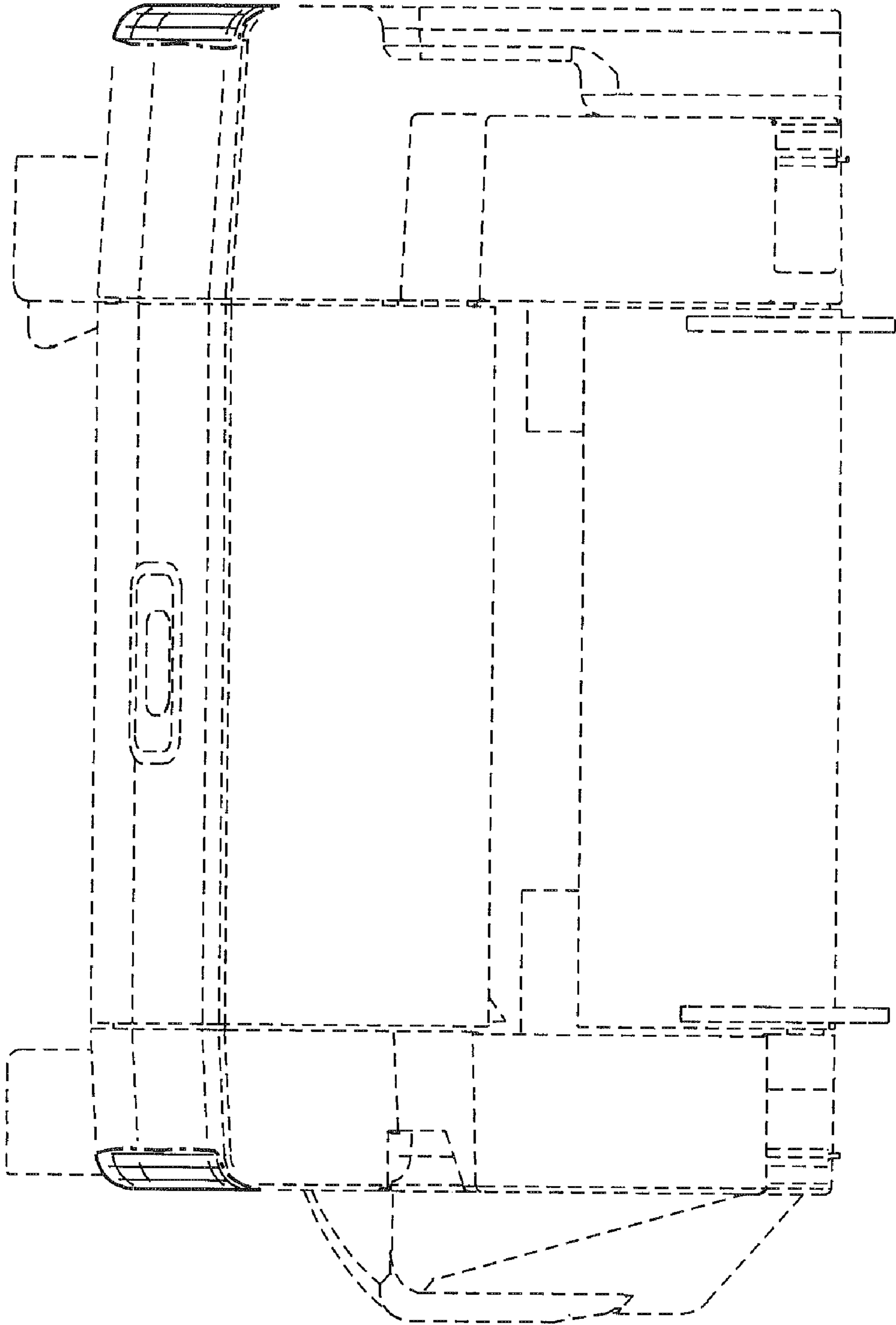


FIG. 3

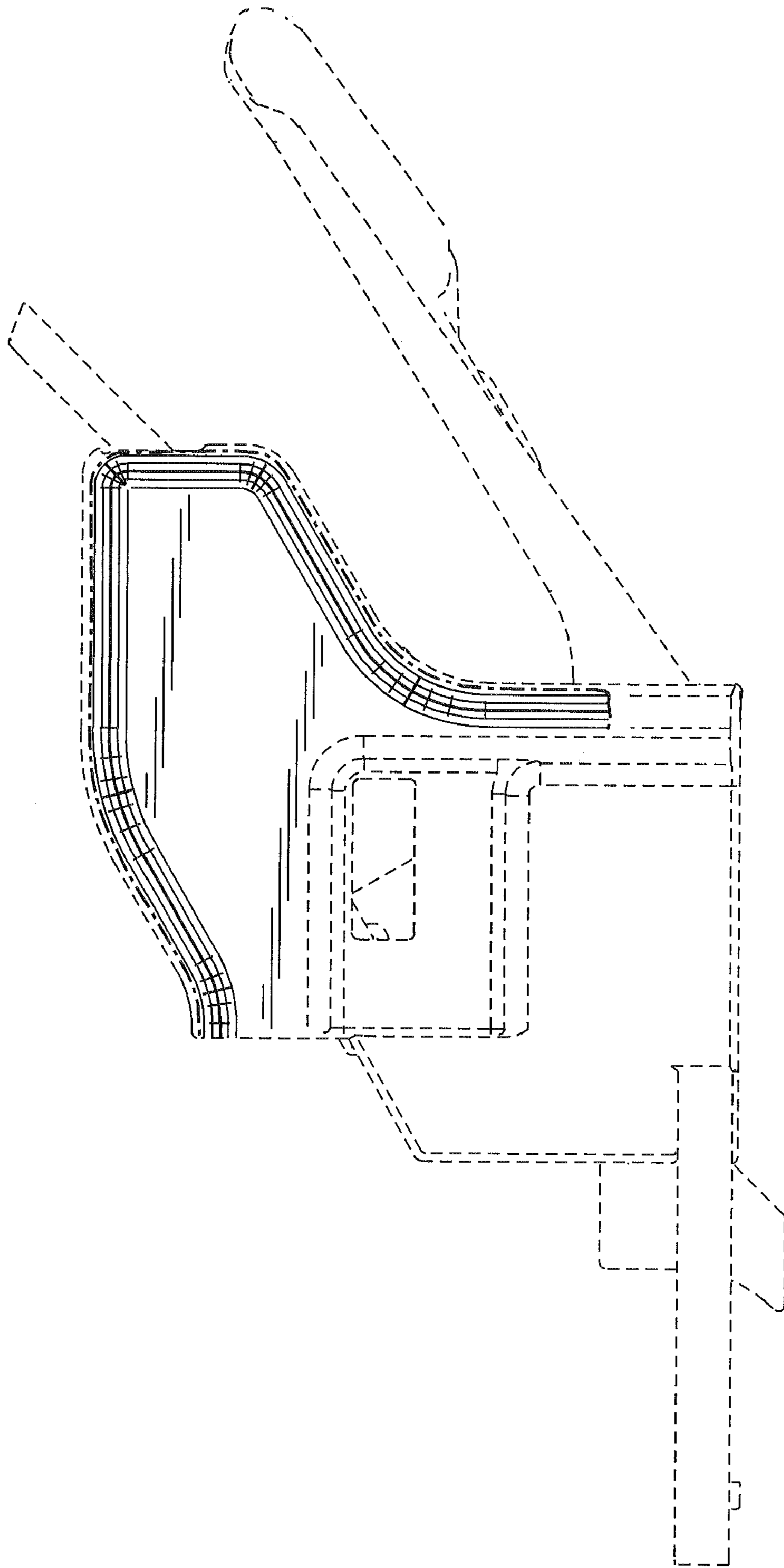


FIG. 4

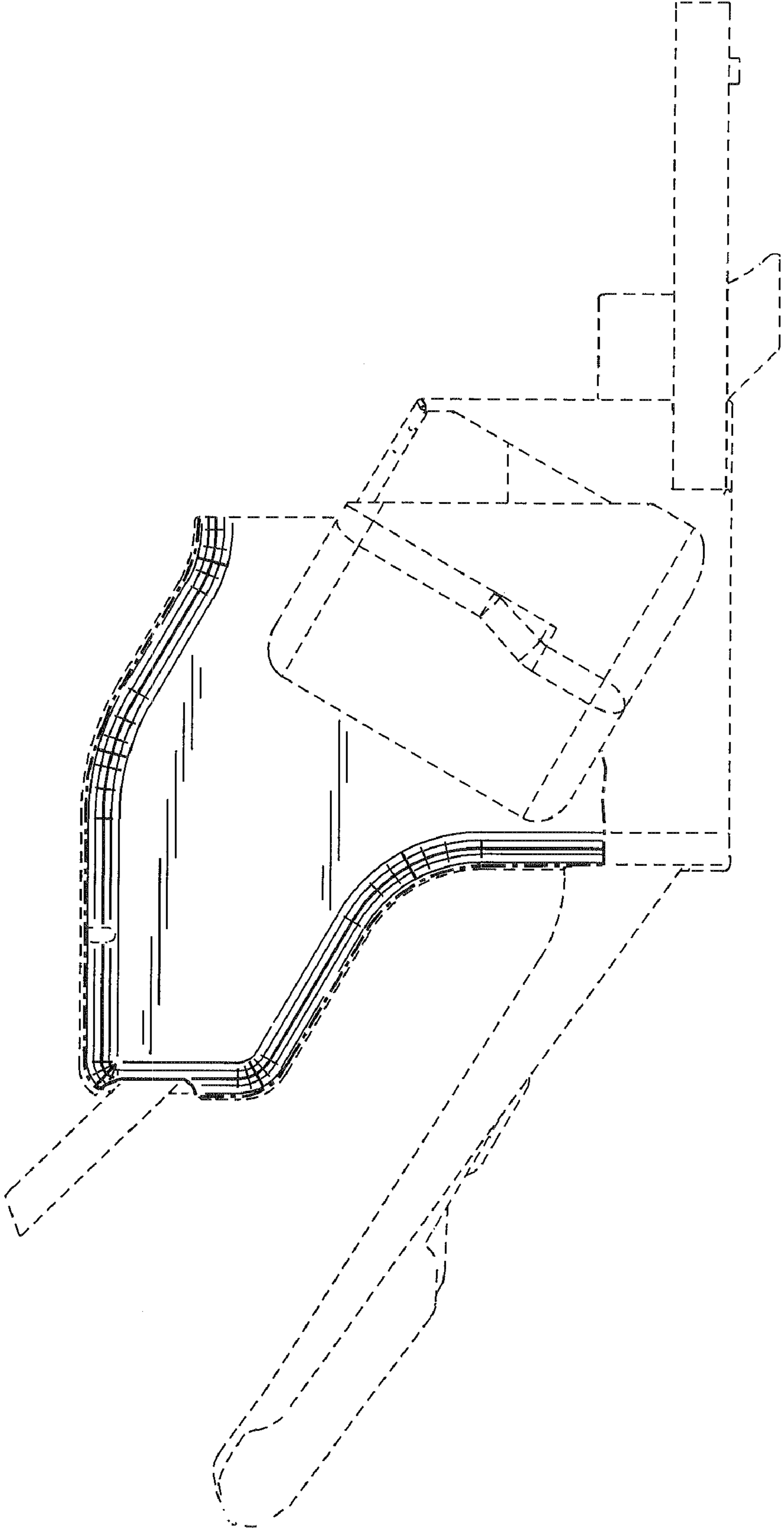


FIG. 5

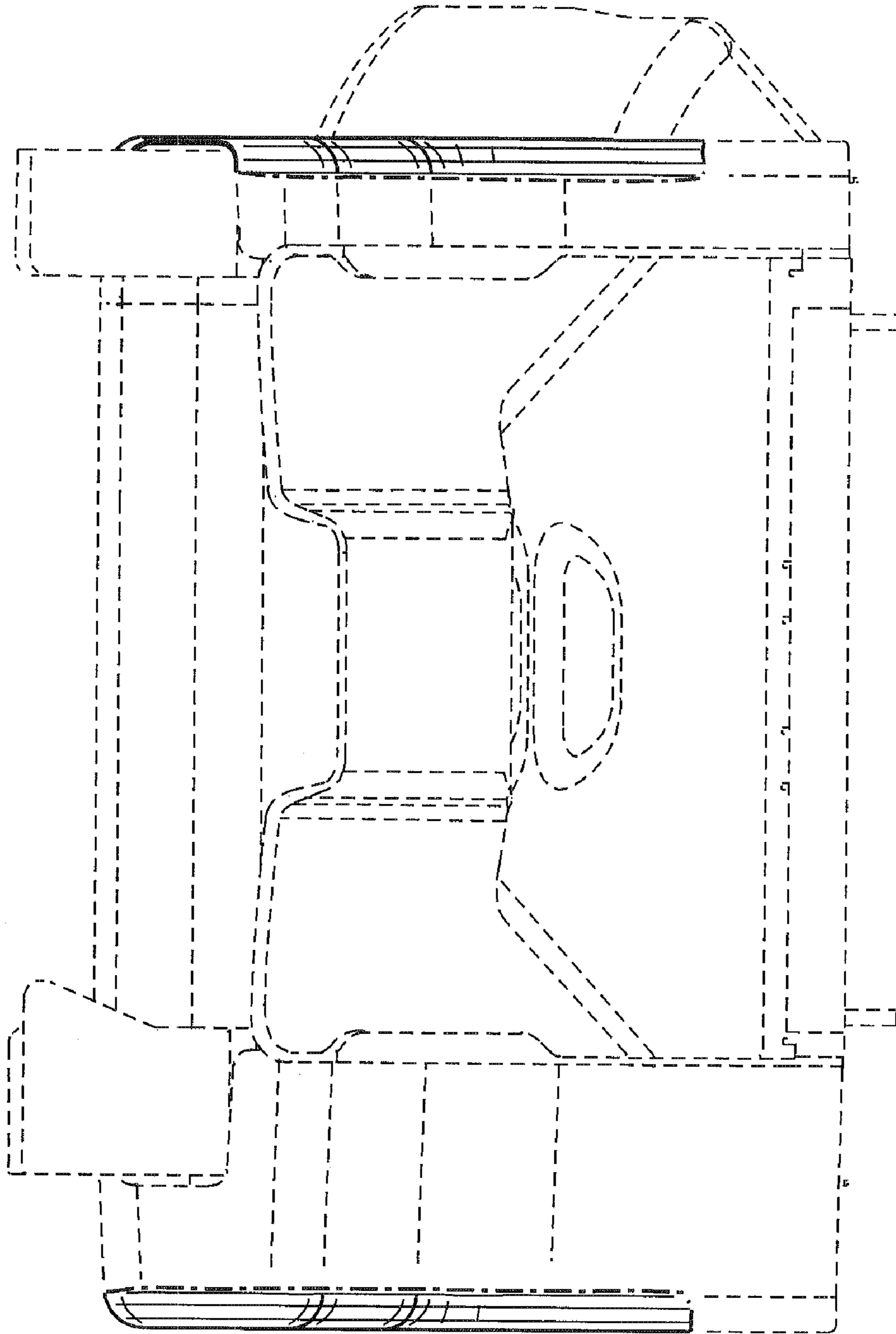


FIG. 6

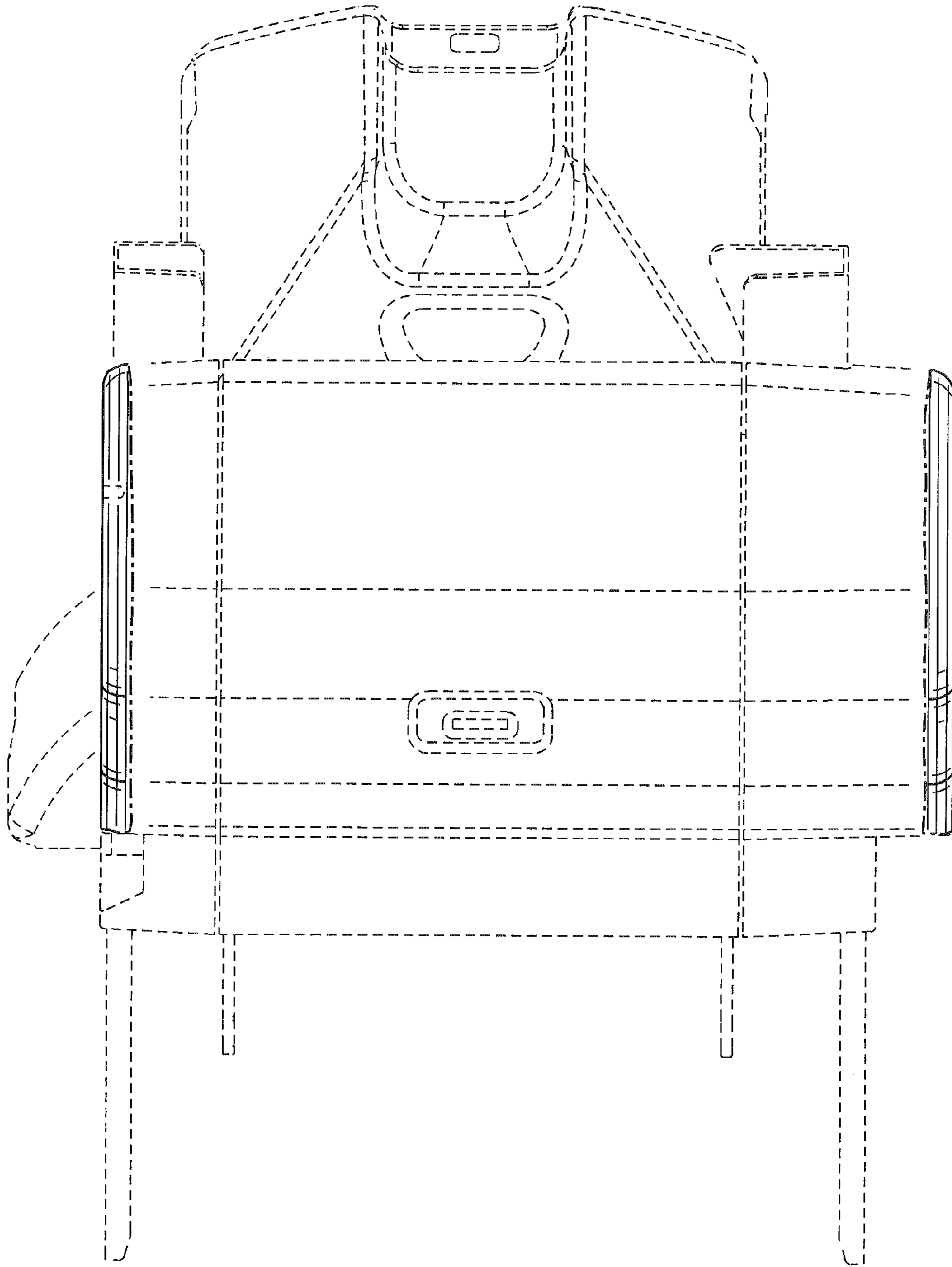


FIG. 7