



US00D549276S

(12) **United States Design Patent**  
**Clark, III**

(10) **Patent No.:** **US D549,276 S**

(45) **Date of Patent:** **\*\* Aug. 21, 2007**

(54) **FINISHER FOR AN IMAGE PRODUCING OFFICE MACHINE**

(75) **Inventor:** **William T. Clark, III**, Pittsford, NY (US)

(73) **Assignee:** **Xerox Corporation**, Stamford, CT (US)

(\*\*) **Term:** **14 Years**

(21) **Appl. No.:** **29/260,298**

(22) **Filed:** **May 23, 2006**

(51) **LOC (8) Cl.** ..... **18-99**

(52) **U.S. Cl.** ..... **D18/46**

(58) **Field of Classification Search** ..... D18/36-41, D18/44-55; 222/DIG. 1; 271/3.14, 8.1, 271/226, 278; 355/97, 99; 358/1.1; 399/1-7, 399/16, 75, 81, 107, 130, 151, 361, 365, 399/367, 381-383, 388

See application file for complete search history.

(56) **References Cited**

**U.S. PATENT DOCUMENTS**

- D422,629 S \* 4/2000 Isomoto ..... D18/46
- D423,041 S \* 4/2000 Takeuchi ..... D18/46
- D435,858 S \* 1/2001 Hatanaka et al. .... D18/39

- 6,226,471 B1 \* 5/2001 Tsuzuki ..... 399/75
- D444,496 S \* 7/2001 Hatanaka et al. .... D18/53
- D450,753 S \* 11/2001 Nomura et al. .... D18/47
- D451,128 S \* 11/2001 Ortiz et al. .... D18/47
- 2005/0244186 A1 \* 11/2005 Rose et al. .... 399/107

\* cited by examiner

*Primary Examiner*—Robert M. Spear

*Assistant Examiner*—Garth Rademaker

(74) *Attorney, Agent, or Firm*—Tallam I. Nguti

(57) **CLAIM**

The ornamental design for a finisher for an image producing office machine, as shown and described.

**DESCRIPTION**

FIG. 1 is a perspective view of a finisher for an image producing office machine showing the design of the present invention;

FIG. 2 is a front elevation view thereof;

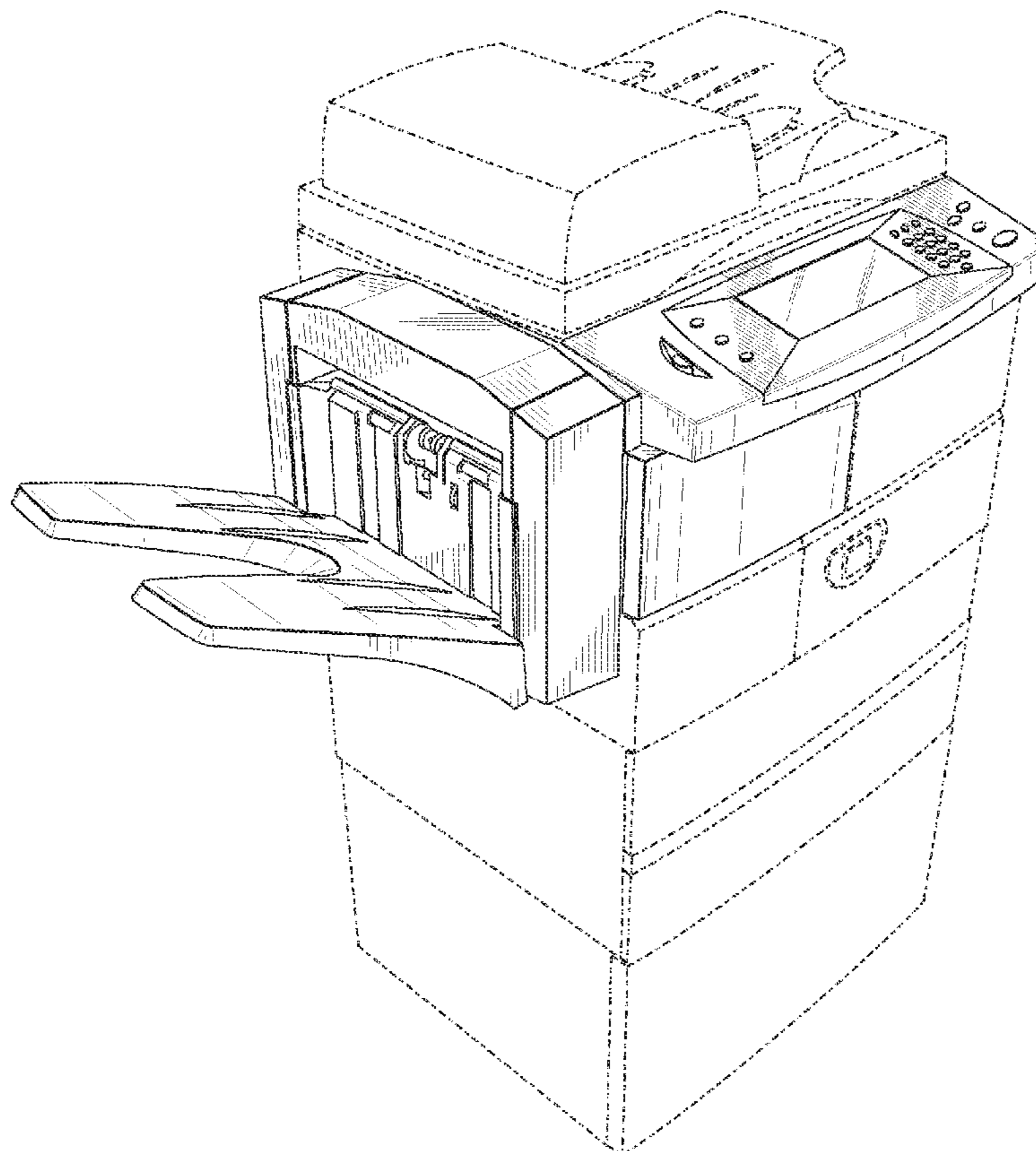
FIG. 3 is a right side elevation view thereof;

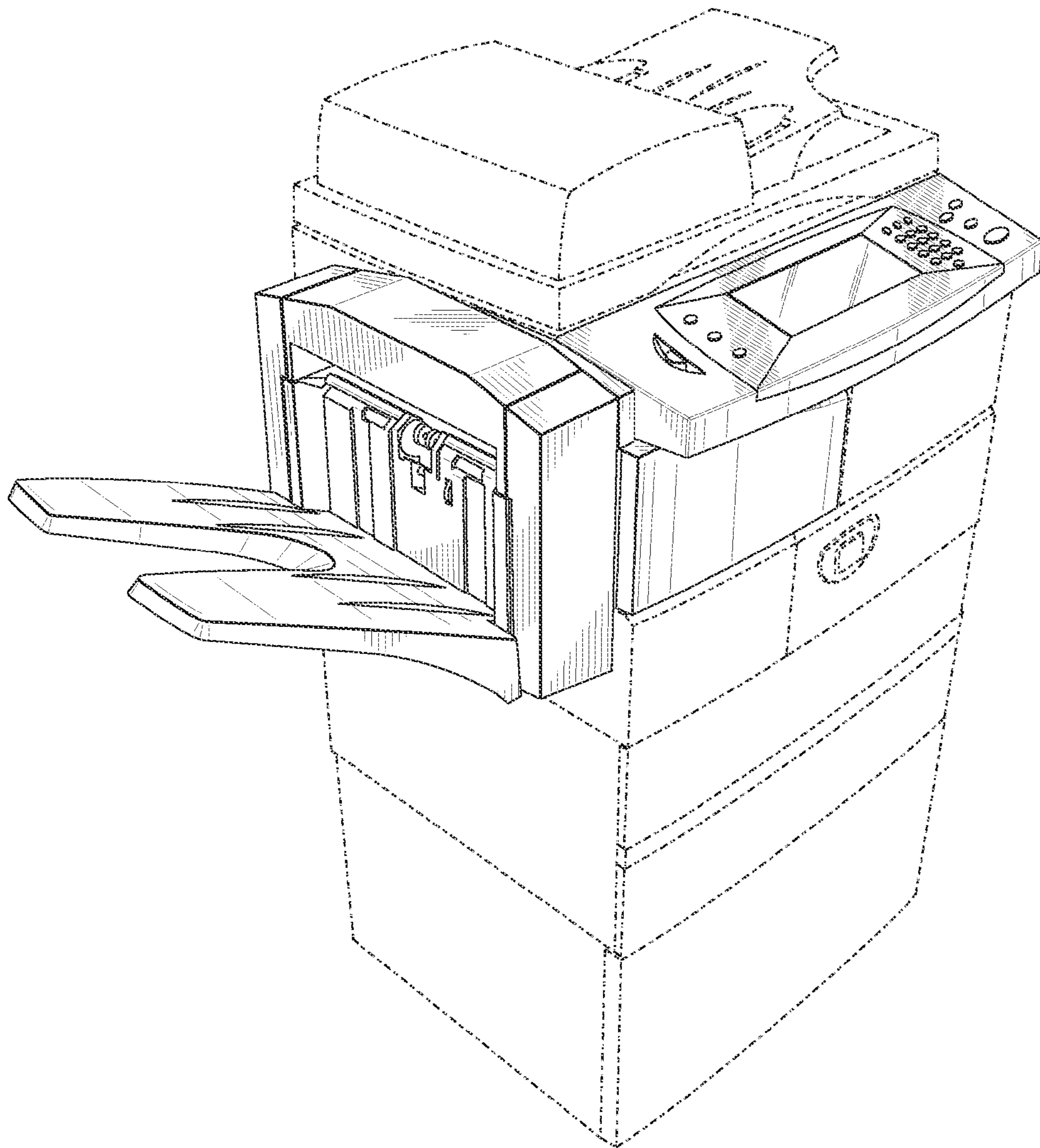
FIG. 4 is a rear elevation view thereof; and,

FIG. 5 is a top plan view thereof.

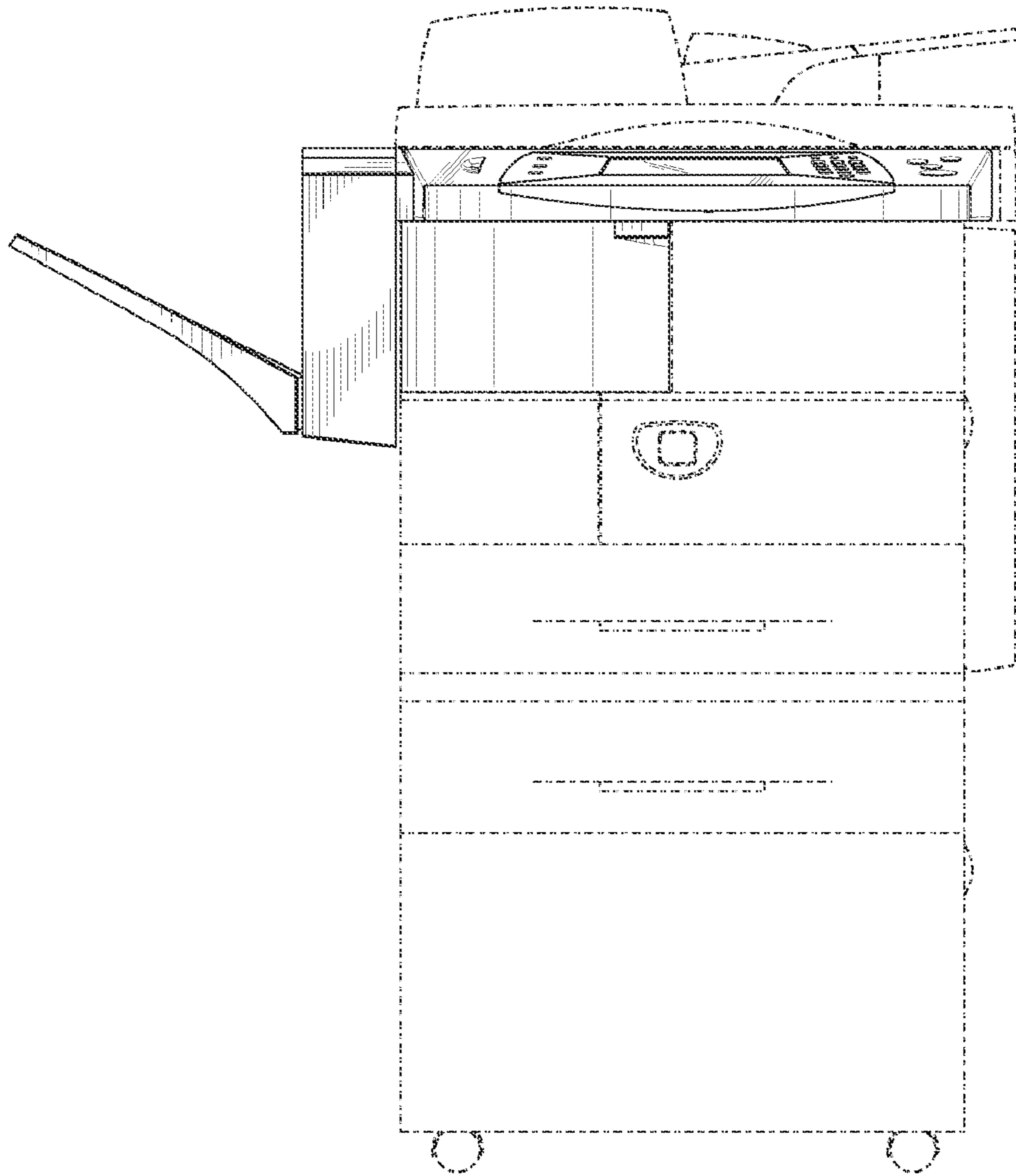
The broken lines shown are for illustrative purposes only and form no part of the claimed design.

**1 Claim, 5 Drawing Sheets**



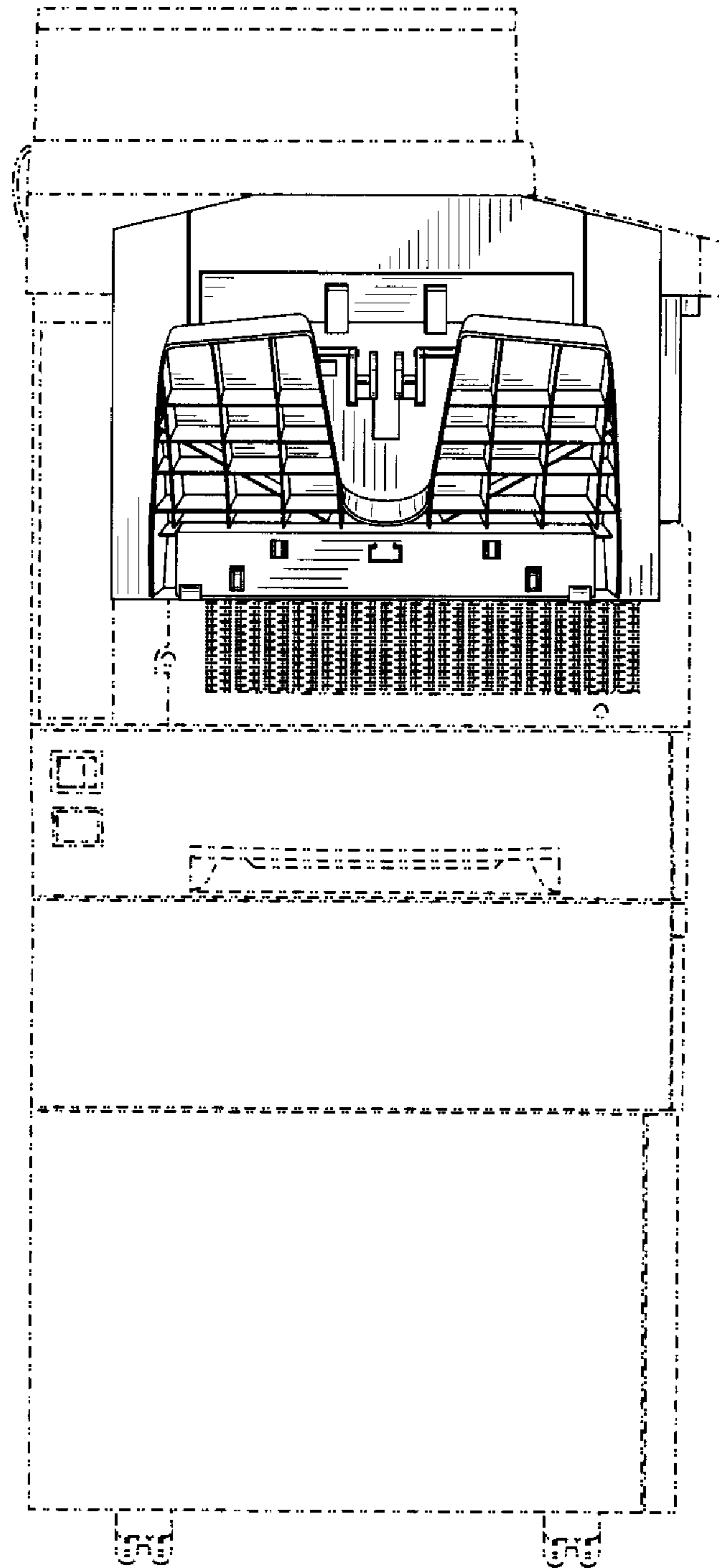


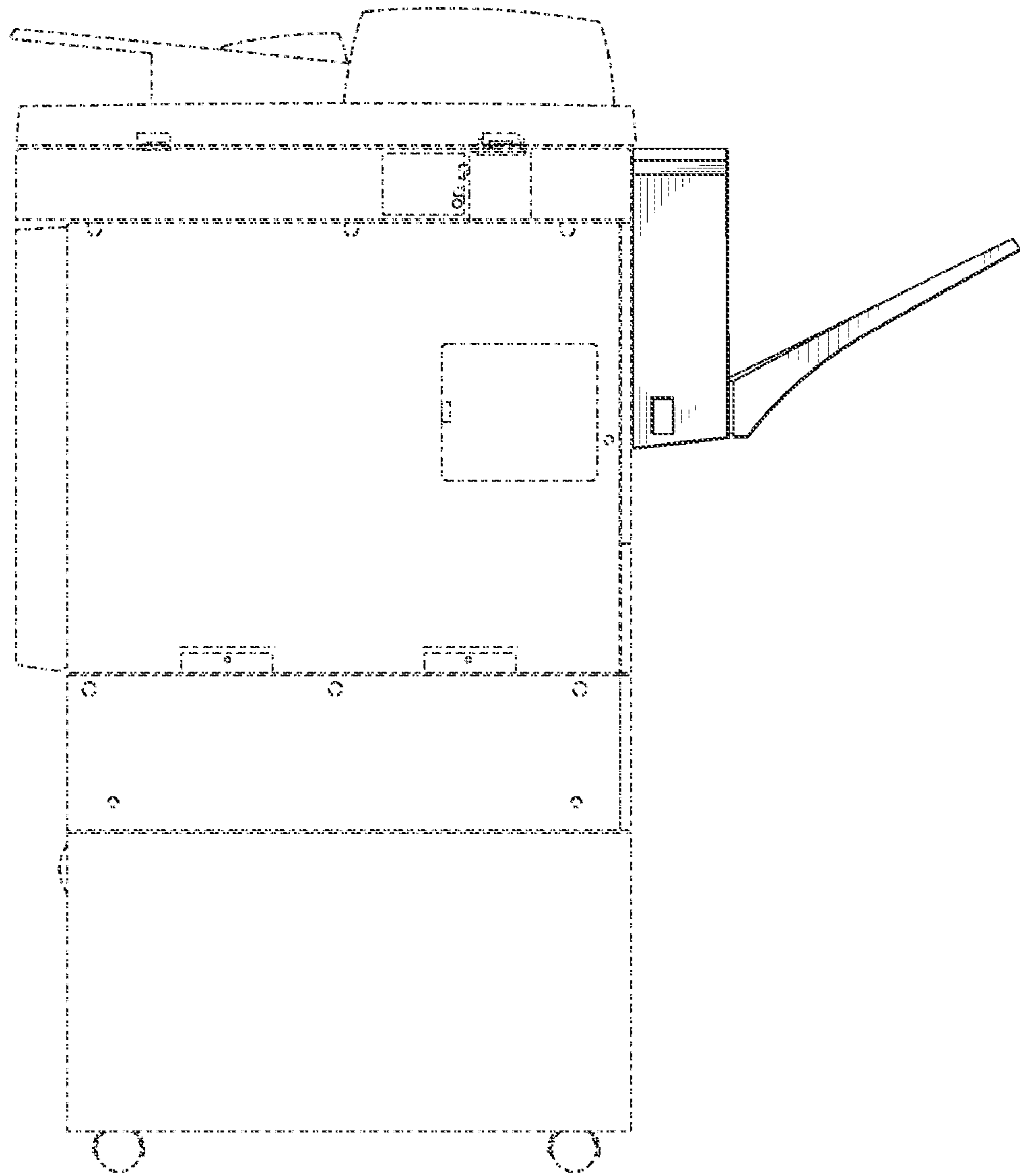
**FIG. 1**



**FIG. 2**

**FIG. 3**





**FIG. 4**



**FIG. 5**

