

US00D549275S

(12) **United States Design Patent**
Goh et al.

(10) **Patent No.: US D549,275 S**

(45) **Date of Patent: ** Aug. 21, 2007**

(54) **PRINTER ACCESSORY**

(75) Inventors: **Eng Long Goh**, San Diego, CA (US);
Howard G. Wong, Portland, OR (US)

(73) Assignee: **Hewlett-Packard Development Company, L.P.**, Houston, TX (US)

(**) Term: **14 Years**

(21) Appl. No.: **29/219,872**

(22) Filed: **Dec. 22, 2004**

(51) **LOC (8) Cl.** **18-99**

(52) **U.S. Cl.** **D18/46**

(58) **Field of Classification Search** D18/36-41,
D18/45-49, 55-57; D14/462-471; 222/DIG. 1;
271/3.02, 3.03, 3.08, 145, 160, 171, 226,
271/264; 355/97, 112; 399/16, 17, 361,
399/381-383, 388, 393

See application file for complete search history.

(56) **References Cited**

U.S. PATENT DOCUMENTS

- D186,474 S * 10/1959 Robbins D18/39
- 4,058,196 A 11/1977 Rempel
- 4,671,686 A 6/1987 Howes et al.
- D294,598 S * 3/1988 Ohmori D18/46
- 4,995,745 A 2/1991 Yokoi et al.
- 5,022,640 A 6/1991 Greco, Jr.
- 5,164,906 A 11/1992 Mahmoodi et al.
- D344,754 S * 3/1994 Parsey D18/55
- 5,815,772 A 9/1998 Saito et al.
- 6,000,870 A 12/1999 Koga
- 6,016,156 A 1/2000 Urakawa
- 6,029,020 A 2/2000 Blackman et al.
- 6,167,231 A 12/2000 Blackman et al.
- 6,290,410 B1 9/2001 Sunada et al.
- 6,293,716 B1 9/2001 Driggers et al.
- 6,325,503 B1 12/2001 McCue, Jr. et al.
- 6,332,068 B2 12/2001 Blackman et al.
- 6,364,553 B1 4/2002 McCue, Jr. et al.
- 6,463,256 B2 10/2002 Blackman
- D467,963 S * 12/2002 Miyahara et al. D18/54

- D468,764 S * 1/2003 Miyahara et al. D18/54
- 6,650,436 B1 * 11/2003 Hamamoto et al. 399/388
- D483,059 S * 12/2003 Goh et al. D18/50
- 6,655,679 B2 12/2003 Boucher et al.
- 6,659,667 B2 12/2003 McCue, Jr. et al.
- 6,676,318 B2 * 1/2004 Hwang et al. 400/693
- 6,702,282 B2 * 3/2004 Pribula et al. 271/272
- 6,718,872 B2 4/2004 Kanno
- D491,086 S * 6/2004 LaBarbera et al. D10/81
- D518,513 S * 4/2006 Sugitani D18/50
- D525,295 S * 7/2006 Suzuki et al. D18/55
- 2001/0000462 A1 4/2001 Blackman et al.
- 2001/0005463 A1 6/2001 Blackman
- 2002/0127043 A1 9/2002 McCue, Jr. et al.
- 2003/0127001 A1 7/2003 Kanno
- 2003/0141657 A1 7/2003 Boucher et al.
- 2003/0184635 A1 10/2003 Castleberry
- 2003/0185610 A1 10/2003 Jeong
- 2003/0209852 A1 11/2003 Choi
- 2004/0091283 A1 5/2004 Nobe et al.
- 2004/0101338 A1 5/2004 McCue, Jr. et al.
- 2006/0175747 A1 * 8/2006 Boleda 271/264

* cited by examiner

Primary Examiner—Robert M. Spear
Assistant Examiner—Garth Rademaker

(57) **CLAIM**

We claim the ornamental design for a printer accessory, as shown and described.

DESCRIPTION

FIG. 1 is a top perspective view of our design for a printer accessory;

FIG. 2 is a right-side elevational view thereof;

FIG. 3 is a front elevational view thereof;

FIG. 4 is a left-side elevational view thereof;

FIG. 5 is a top plan view thereof; and,

FIG. 6 is a rear elevational view thereof.

The broken lines in the drawings are for illustrative purposes only and form no part of the claimed design.

1 Claim, 6 Drawing Sheets

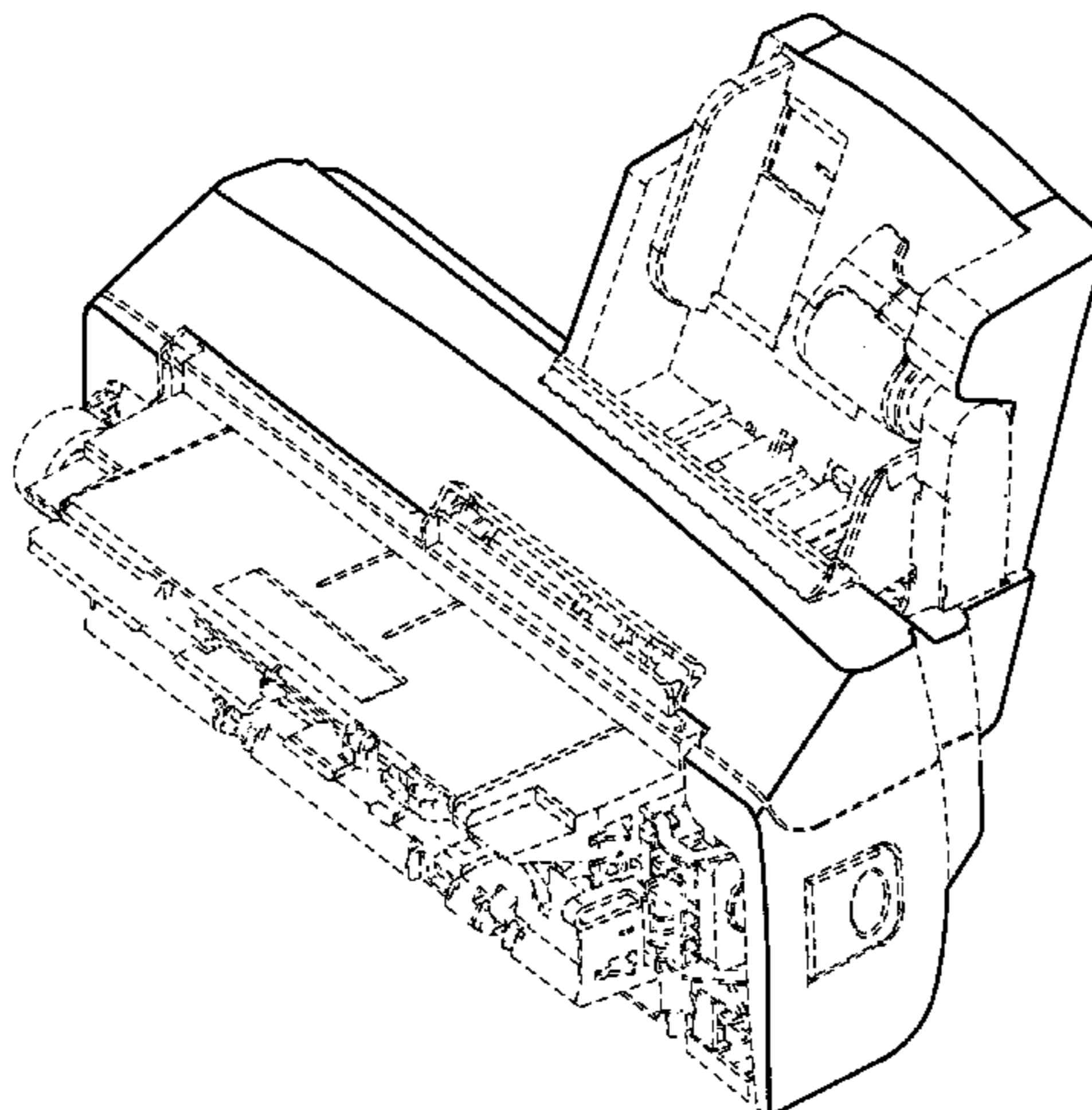
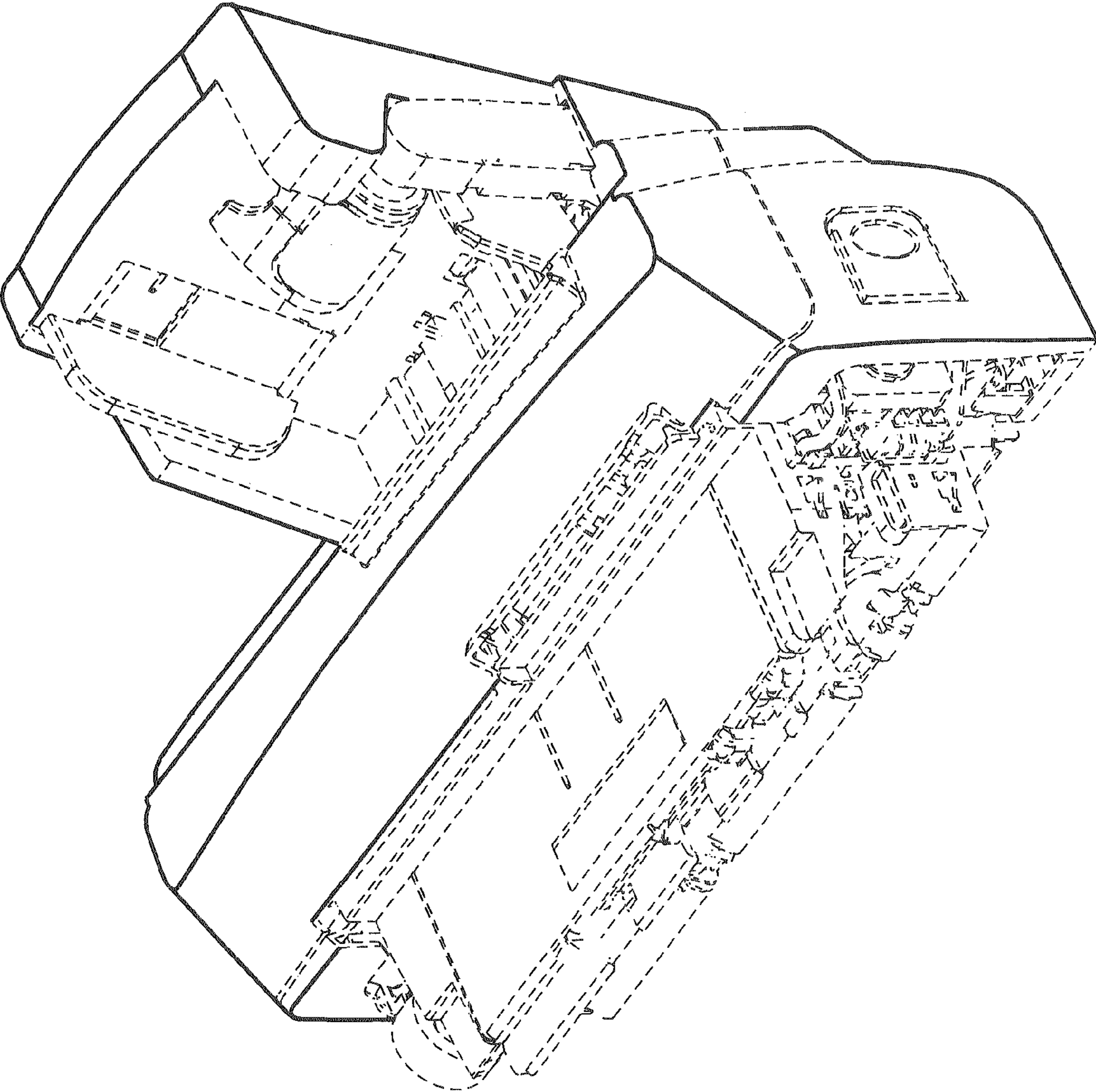


FIG. 1



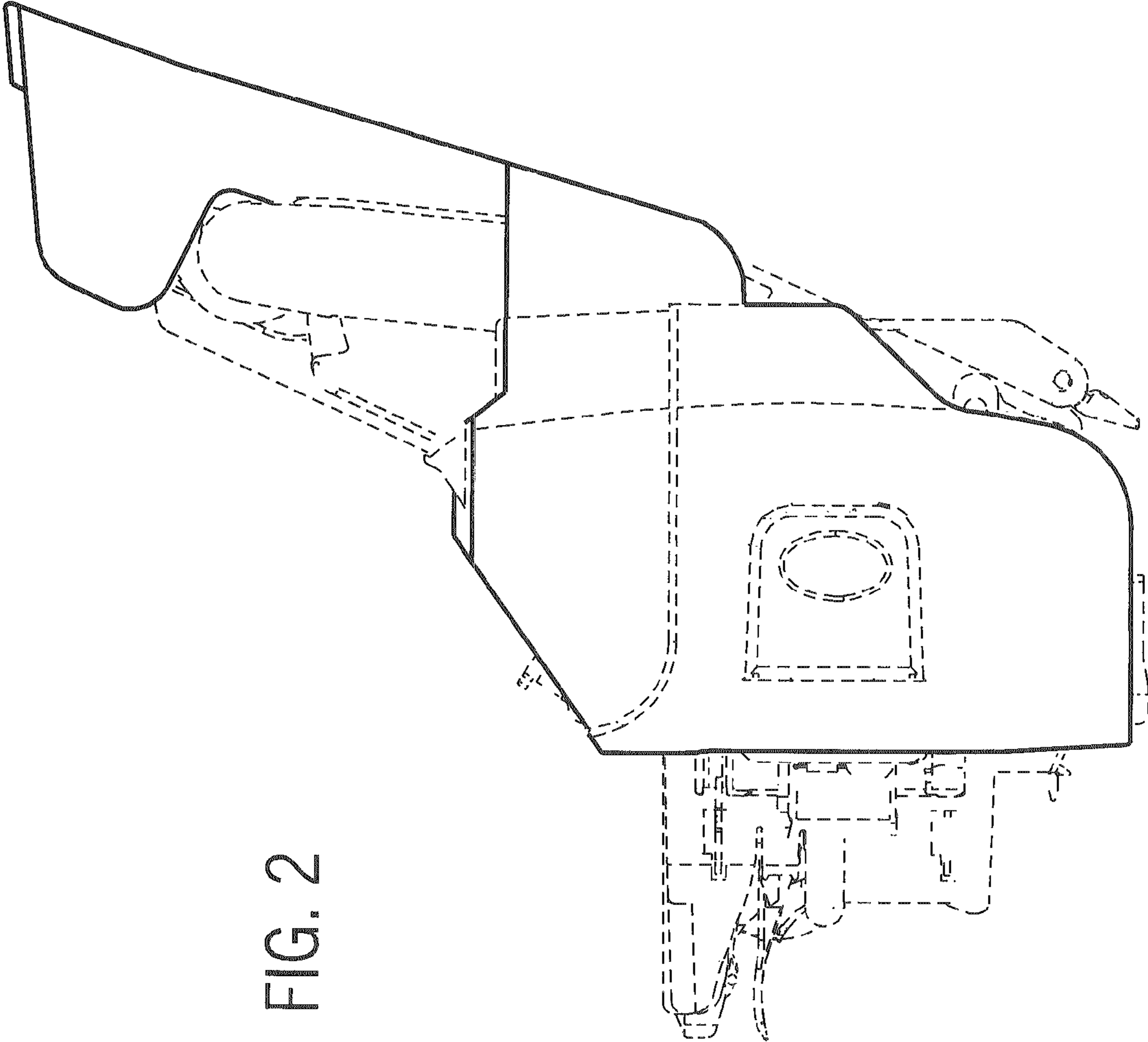


FIG. 2

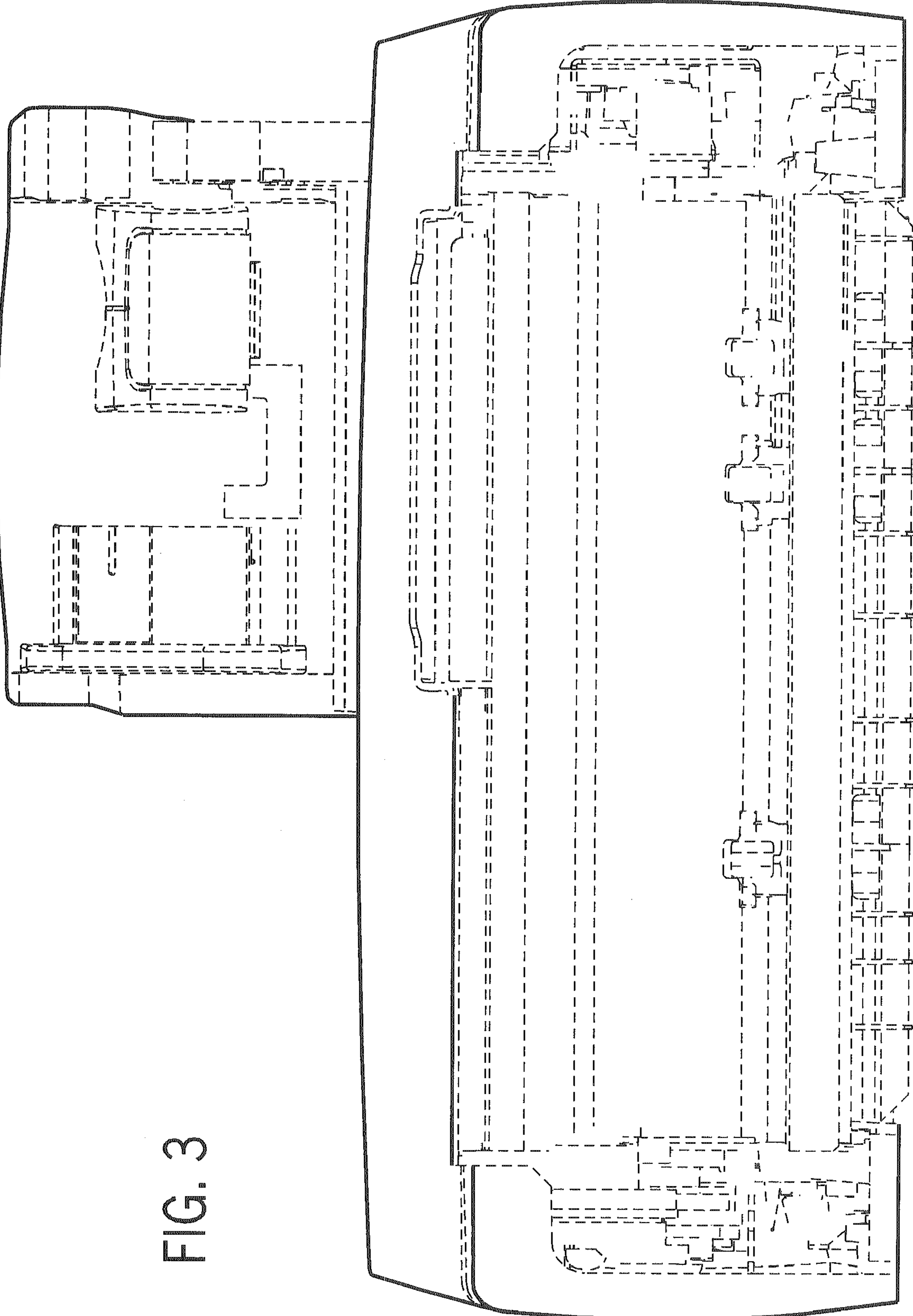


FIG. 3

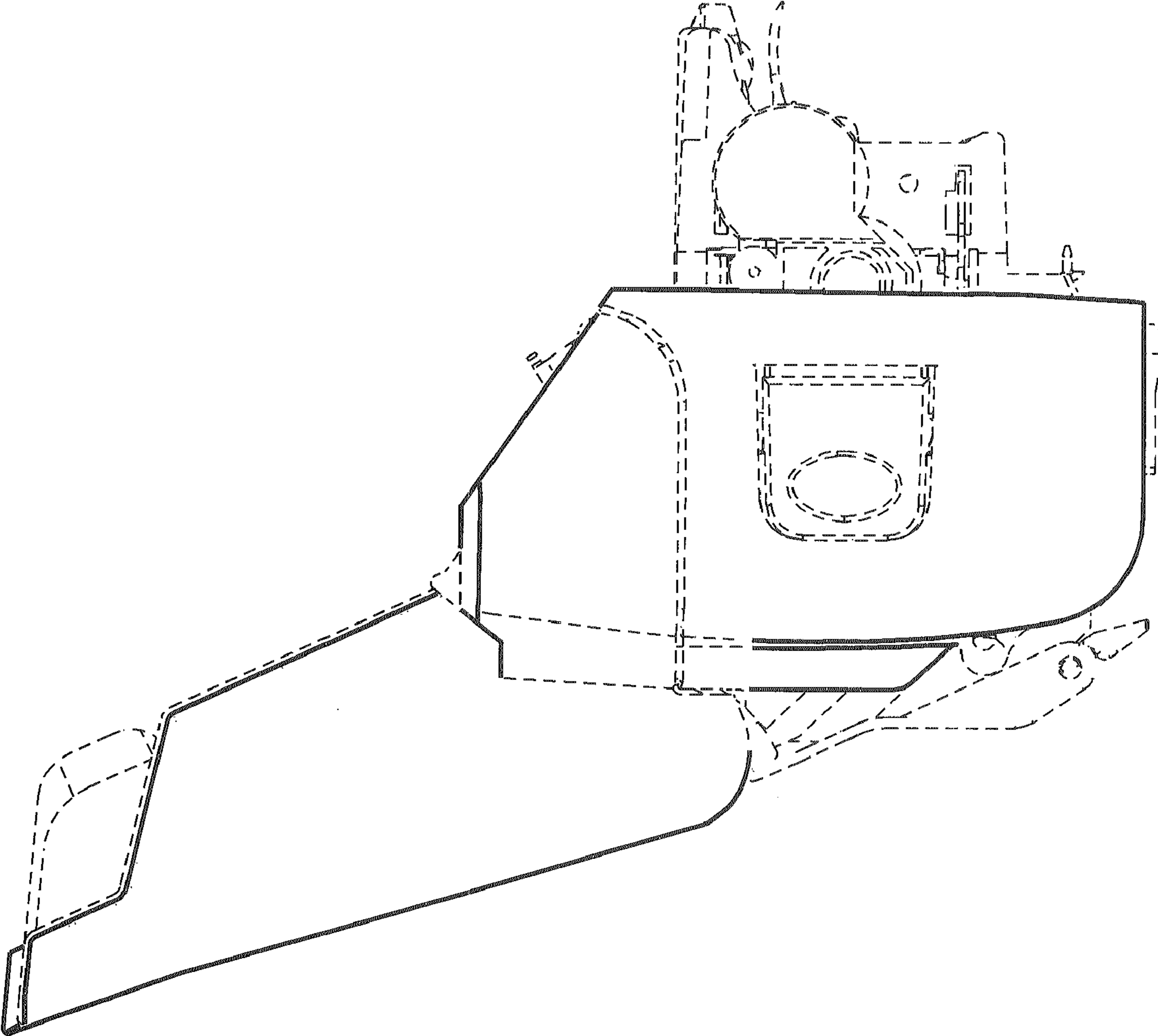


FIG. 4

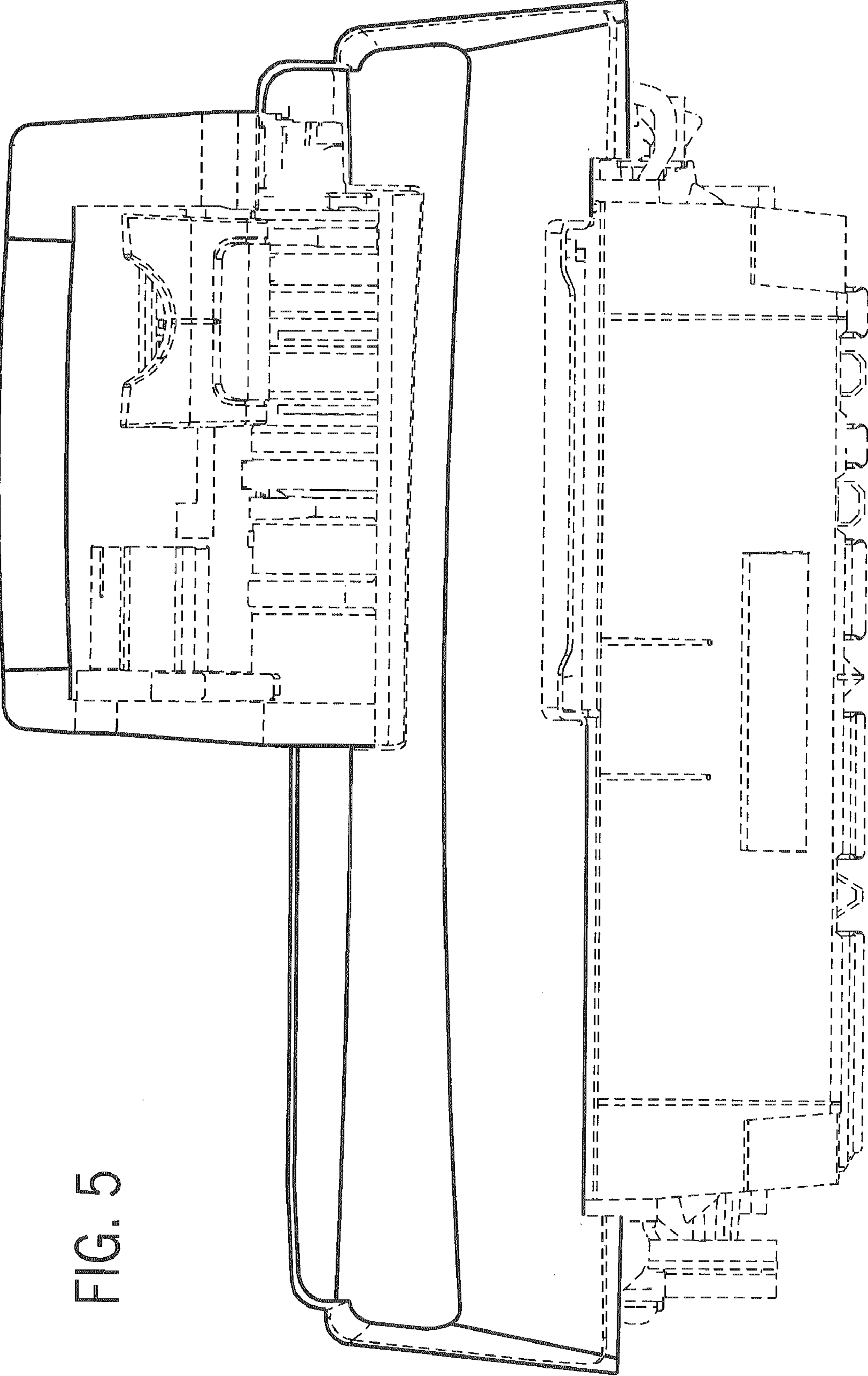


FIG. 5

FIG. 6

