

US00D549274S

(12) **United States Design Patent**
Koizumi et al.

(10) **Patent No.:** **US D549,274 S**

(45) **Date of Patent:** **** Aug. 21, 2007**

(54) **TONER CARTRIDGE**

(75) Inventors: **Hiromitsu Koizumi**, Saitama (JP);
Chiharu Nakajima, Saitama (JP)

(73) Assignee: **Fuji Xerox Co., Ltd.**, Tokyo (JP)

(**) Term: **14 Years**

(21) Appl. No.: **29/263,703**

(22) Filed: **Jul. 28, 2006**

(30) **Foreign Application Priority Data**

Mar. 24, 2006 (JP) 2006-007331

(51) **LOC (8) Cl.** **16-03**

(52) **U.S. Cl.** **D18/43**

(58) **Field of Classification Search** D14/462,
D14/469-471; D18/12, 36, 40, 43, 44, 56;
222/DIG. 1; 347/197, 222; 399/24-28,
399/107-112, 119, 121, 122, 222-224
See application file for complete search history.

(56) **References Cited**

U.S. PATENT DOCUMENTS

- D238,658 S * 2/1976 Stone D18/43
- D359,754 S * 6/1995 Hashizume et al. D18/43
- D362,678 S * 9/1995 Ishibashi et al. D18/43
- D365,844 S * 1/1996 Nishimura et al. D18/43
- D389,860 S * 1/1998 Nakajima et al. D18/43
- D399,870 S * 10/1998 Okada et al. D18/43
- D401,619 S * 11/1998 Joroku et al. D18/43

- D422,302 S * 4/2000 Ohashi et al. D18/43
- 6,324,371 B1 * 11/2001 Okiyama et al. 399/106
- D459,388 S * 6/2002 Irie et al. D18/43
- D466,918 S * 12/2002 Shiozaki et al. D18/43
- D491,979 S * 6/2004 Irie et al. D18/43
- D524,850 S * 7/2006 Hashimoto et al. D18/43

OTHER PUBLICATIONS

U.S. Appl. No. 29/263,701, filed Jul. 28, 2006, Fuji Xerox Co., Ltd.
U.S. Appl. No. 29/263,702, filed Jul. 28, 2006, Fuji Xerox Co., Ltd.

* cited by examiner

Primary Examiner—Robert M. Spear

Assistant Examiner—Garth Rademaker

(74) *Attorney, Agent, or Firm*—Sughrue Mion, PLLC

(57) **CLAIM**

The ornamental design for a toner cartridge, as shown.

DESCRIPTION

FIG. 1 is a perspective view of the top, front and right side of a toner cartridge showing our new design;

FIG. 2 is a front elevational view thereof;

FIG. 3 is a rear elevational view thereof;

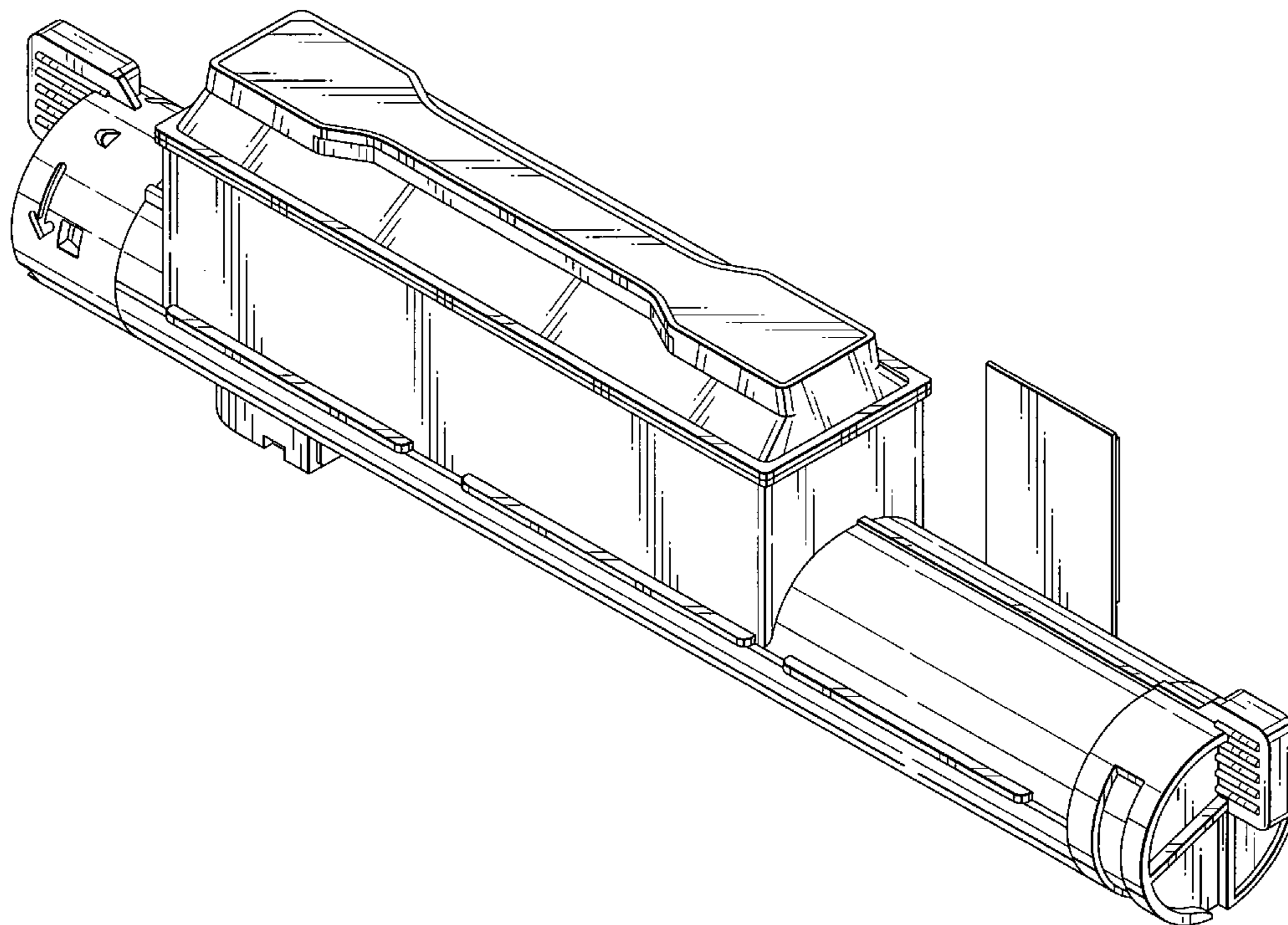
FIG. 4 is a top plan view thereof;

FIG. 5 is a bottom plan view thereof;

FIG. 6 is a right side elevational view thereof; and,

FIG. 7 is a left side elevational view thereof.

1 Claim, 5 Drawing Sheets



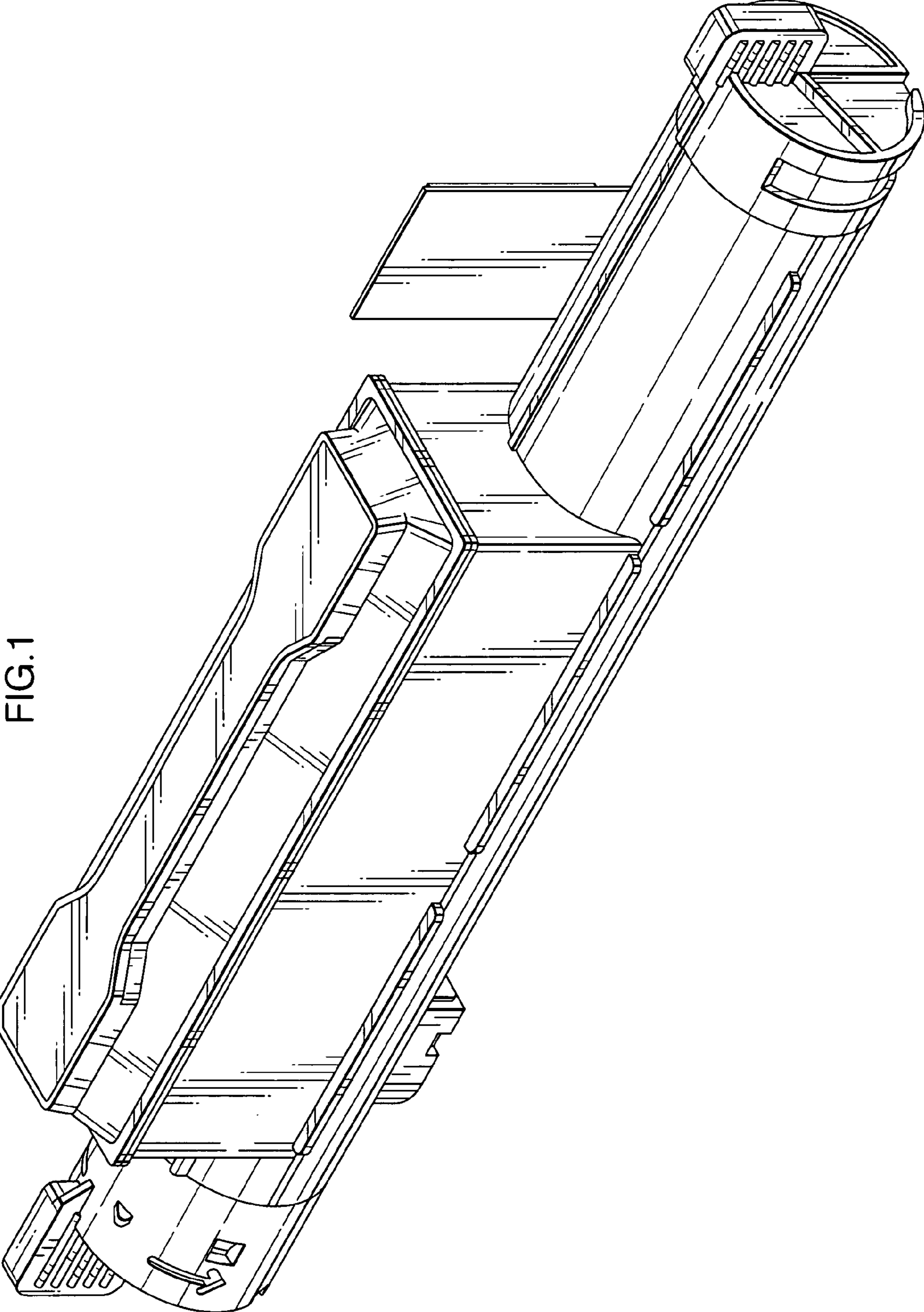


FIG.1

FIG.2

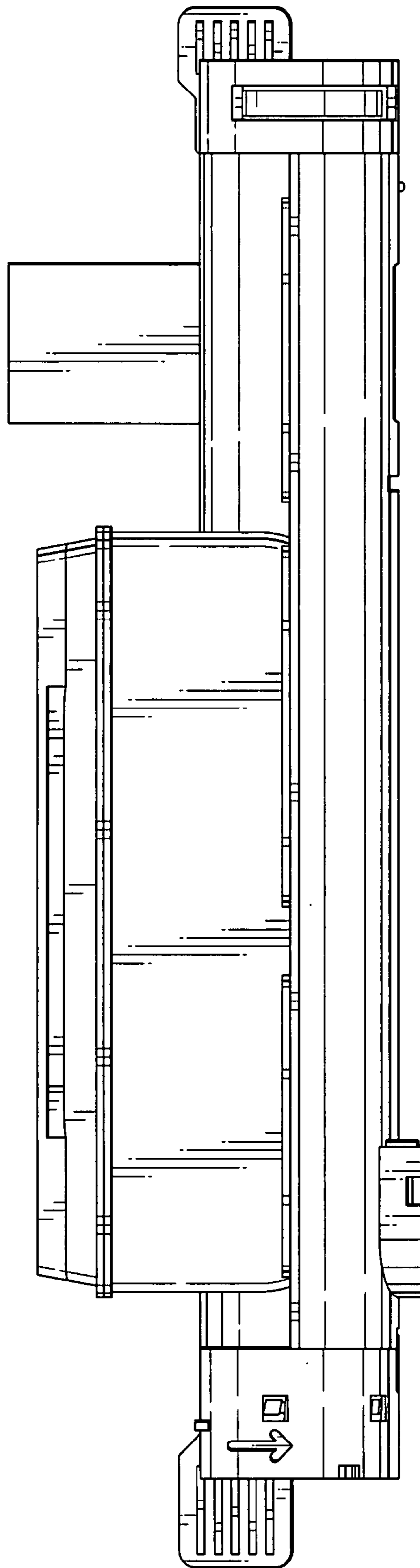


FIG.3

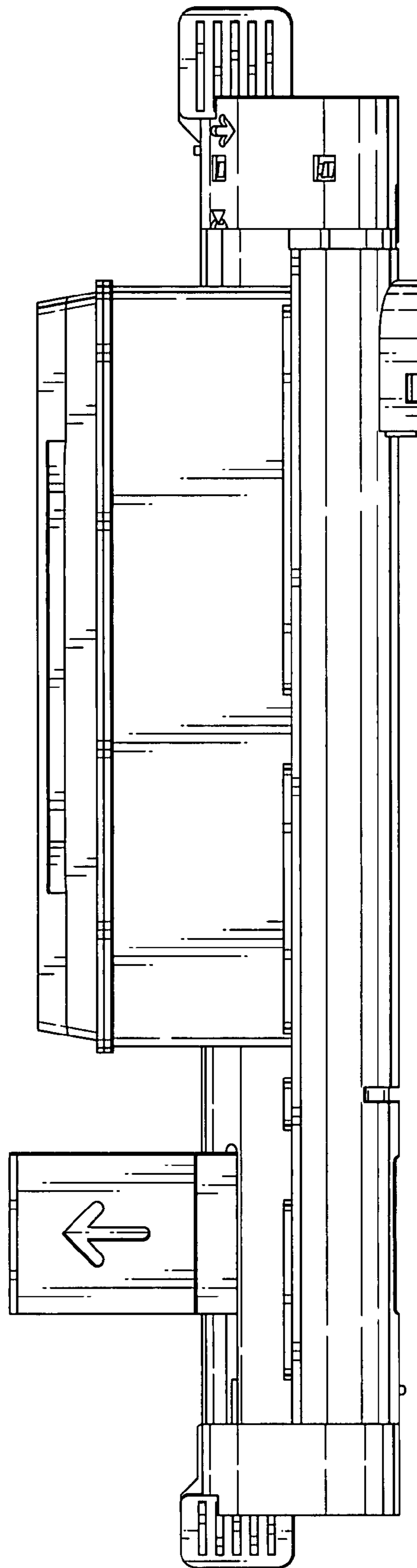


FIG.4

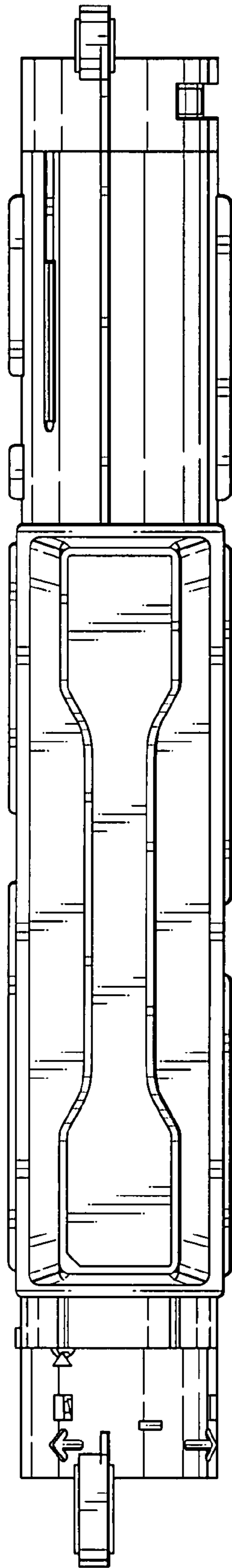


FIG.5

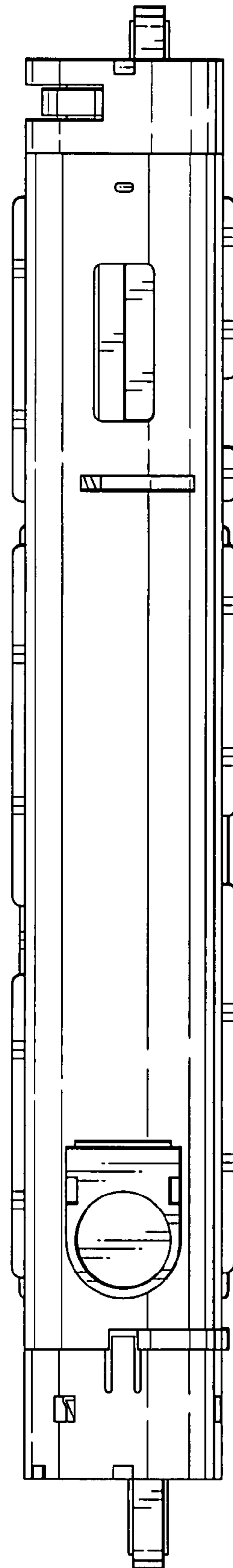


FIG.6

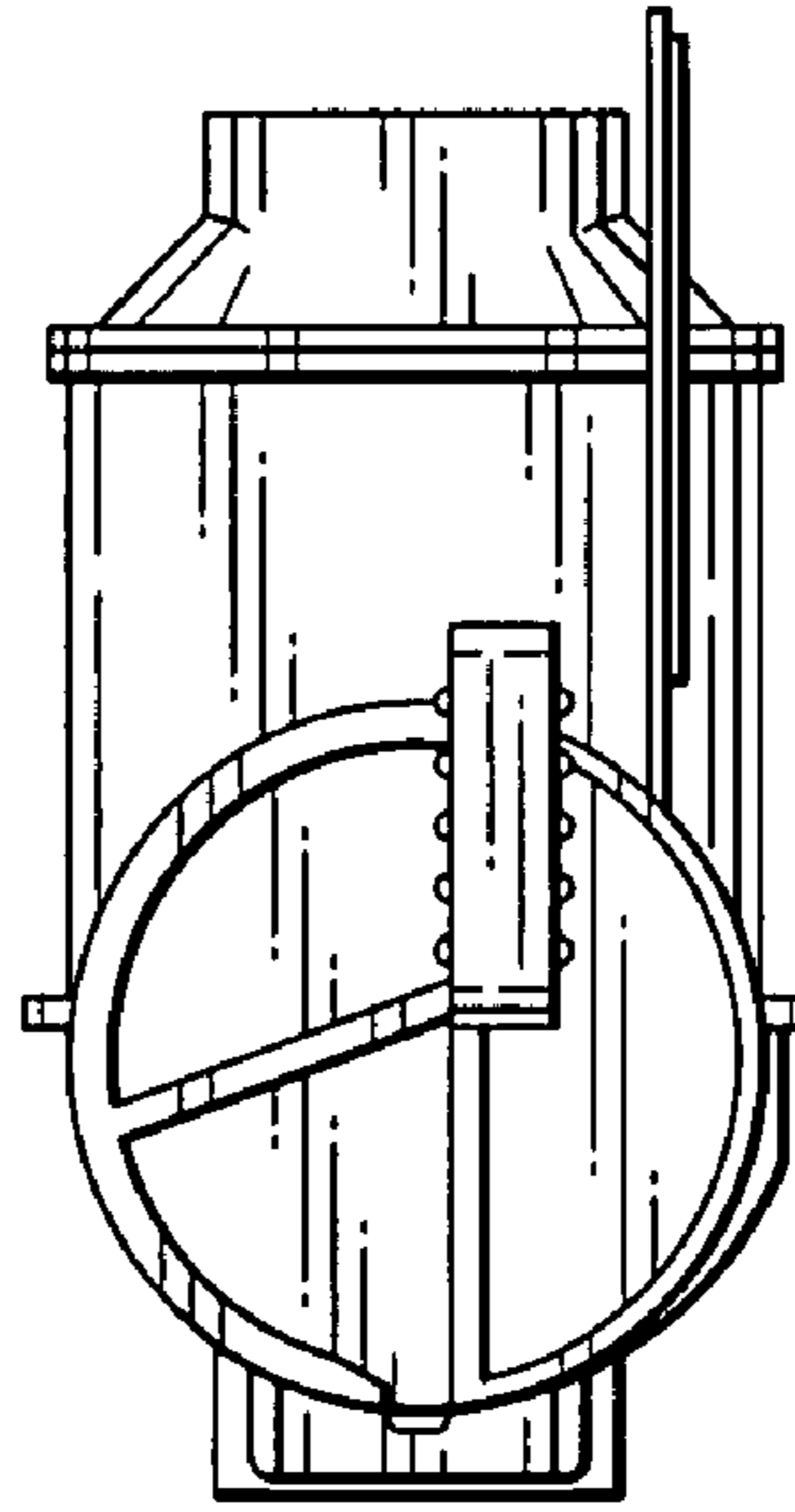


FIG.7

