



US00D549263S

(12) **United States Design Patent**
Tokiwa et al.

(10) **Patent No.:** **US D549,263 S**

(45) **Date of Patent:** **** Aug. 21, 2007**

(54) **CAMERA LENS**

D537,096 S * 2/2007 Tokiwa et al. D16/134
D537,461 S * 2/2007 Tokiwa et al. D16/219

(75) Inventors: **Kentaro Tokiwa**, Asaka (JP); **Hiroshi Tanaka**, Asaka (JP); **Yoshihiro Ito**, Asaka (JP)

* cited by examiner

Primary Examiner—Adir Aronovich

(73) Assignee: **Fujifilm Corporation**, Tokyo (JP)

(74) *Attorney, Agent, or Firm*—Young & Thompson

(**) Term: **14 Years**

(57) **CLAIM**

(21) Appl. No.: **29/252,595**

The ornamental design for a camera lens, as shown and described.

(22) Filed: **Jan. 26, 2006**

DESCRIPTION

(30) **Foreign Application Priority Data**

Jul. 28, 2005 (JP) 2005-021979

FIG. 1 is a top, rear and side perspective view of a camera lens showing our new design;

(51) **LOC (8) Cl.** **16-05**

FIG. 2 is a rear elevational view thereof;

(52) **U.S. Cl.** **D16/219; D16/134**

FIG. 3 is a top plan view thereof;

(58) **Field of Classification Search** D16/134,
D16/136, 200, 202, 218, 219; 348/373-376;
358/909.1; 359/815, 819, 826-828; 396/529-532,
396/535, 540, 541, 544

FIG. 4 is a bottom plan view thereof;

FIG. 5 is a side elevational view thereof from the right of FIG. 2;

See application file for complete search history.

FIG. 6 is a side elevational view thereof from the left of FIG. 2; and,

(56) **References Cited**

U.S. PATENT DOCUMENTS

4,330,192 A * 5/1982 Shimizu 396/529
4,352,548 A * 10/1982 Toyoda 396/529
4,357,090 A * 11/1982 Araki 396/529
5,384,614 A * 1/1995 Hasuda 396/529

FIG. 7 is a top, front and side perspective view thereof showing the position thereof mounted on a camera body.

The parts shown in broken lines are only to illustrate the environment and are not claimed.

1 Claim, 4 Drawing Sheets

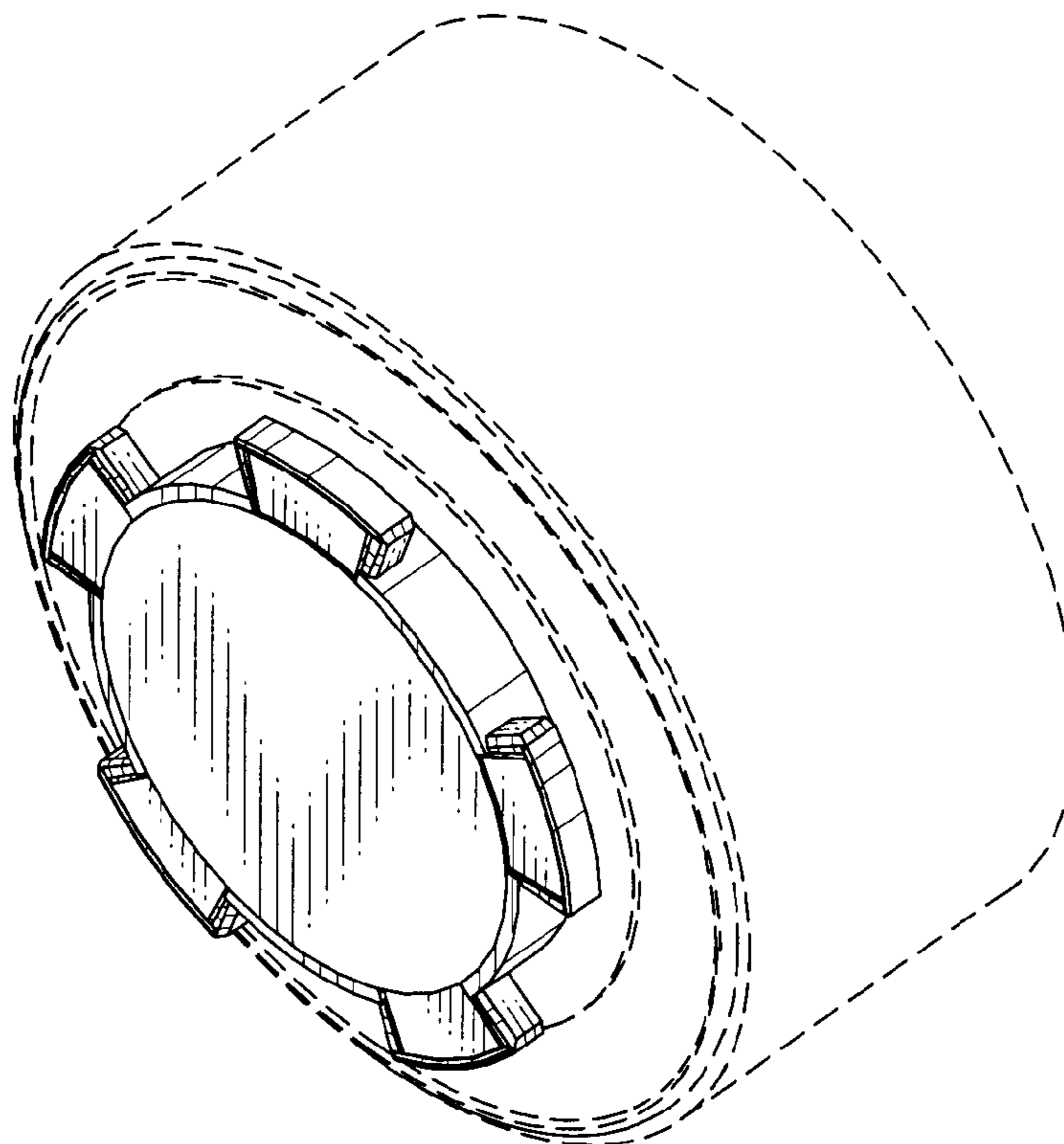


FIG.1

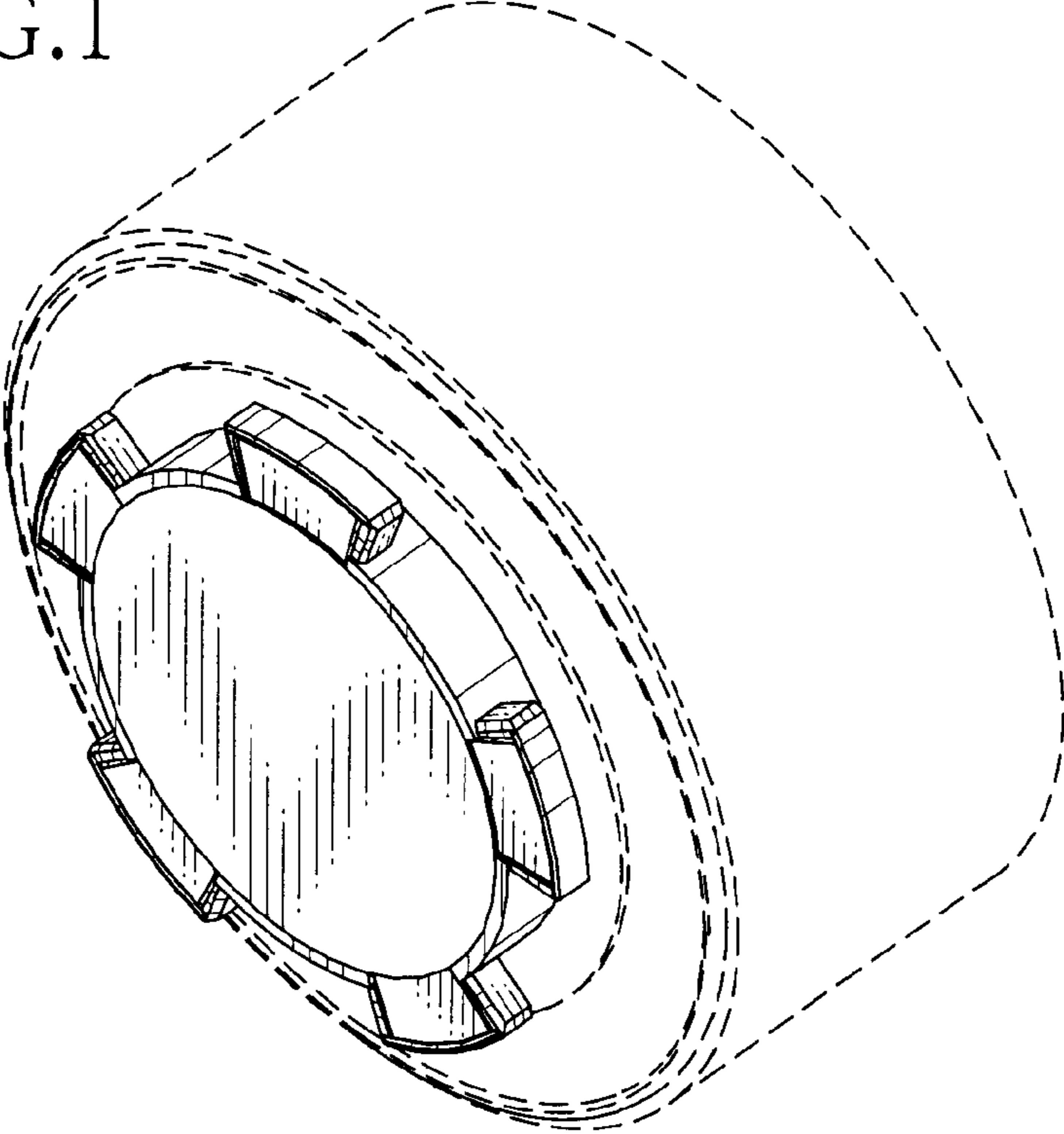


FIG.2

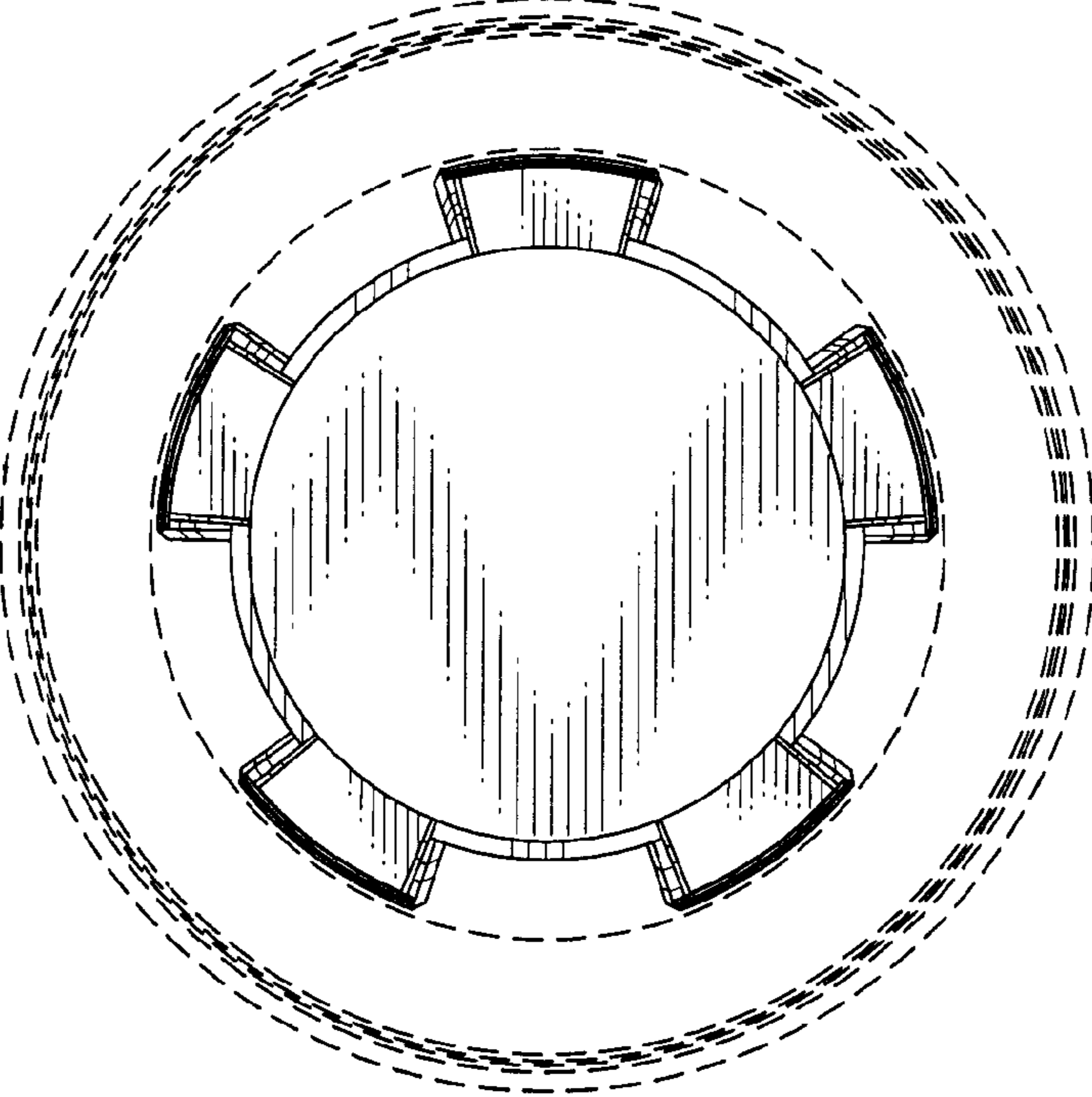


FIG.3

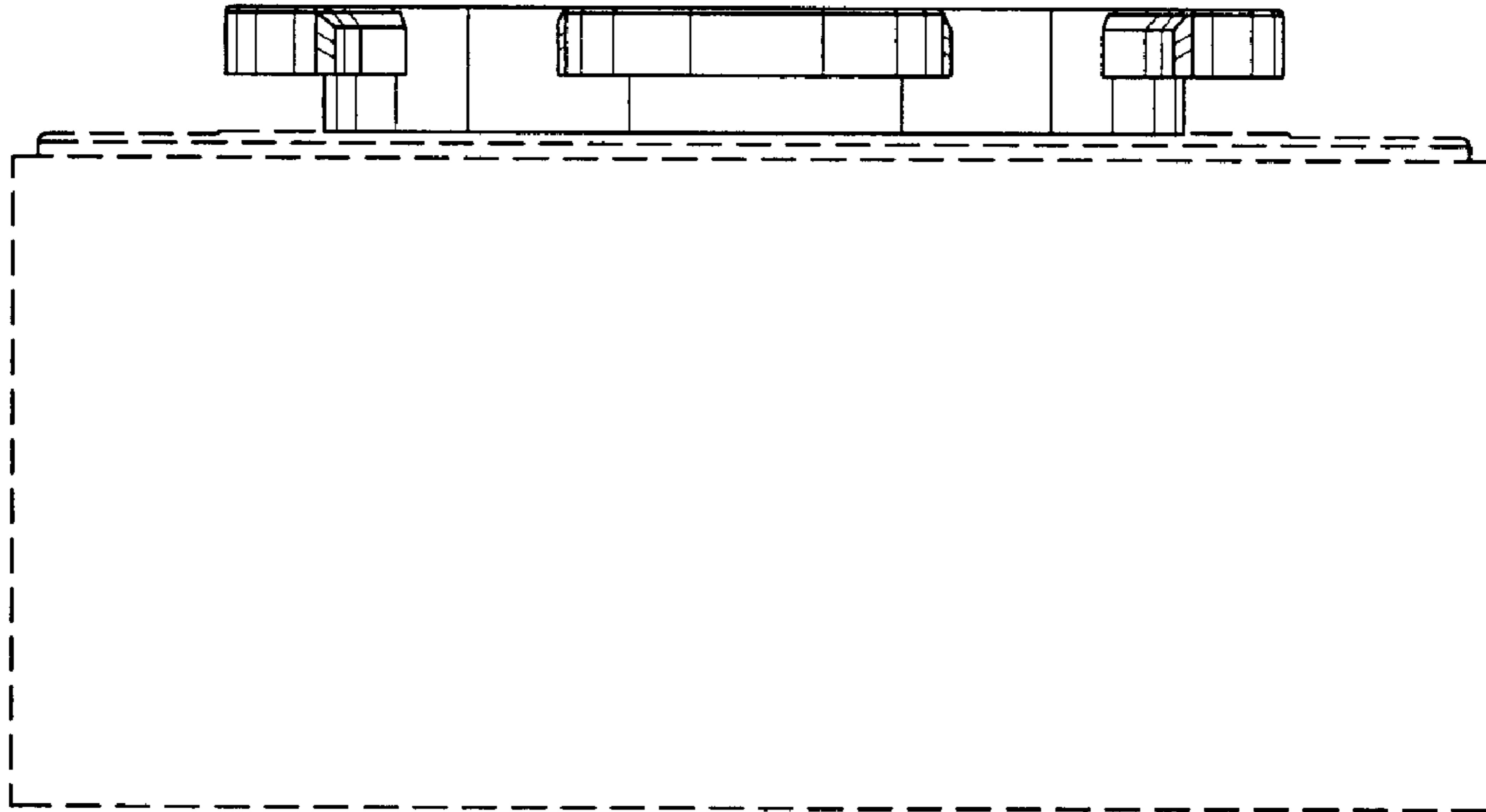


FIG.4

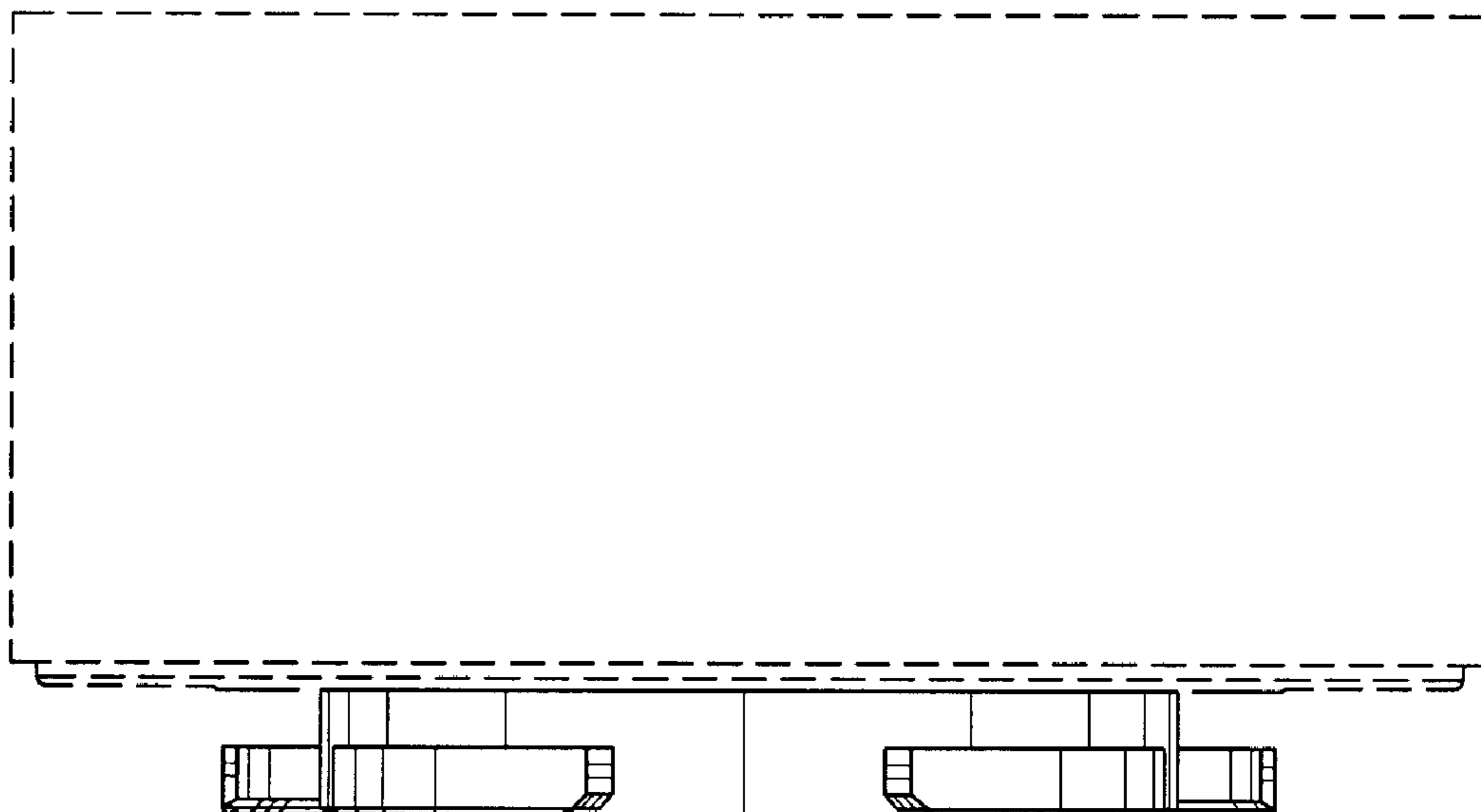


FIG.5

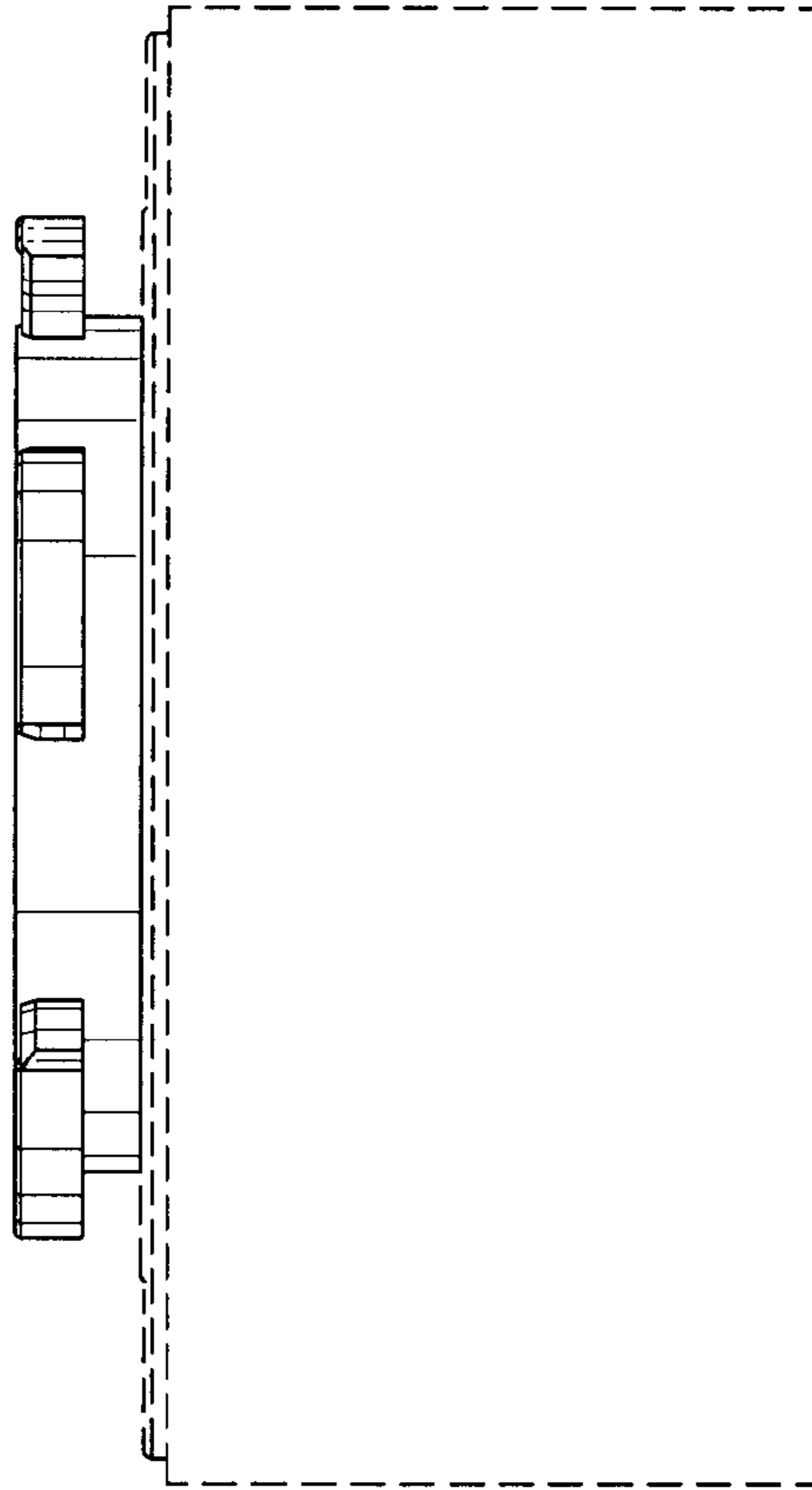


FIG.6

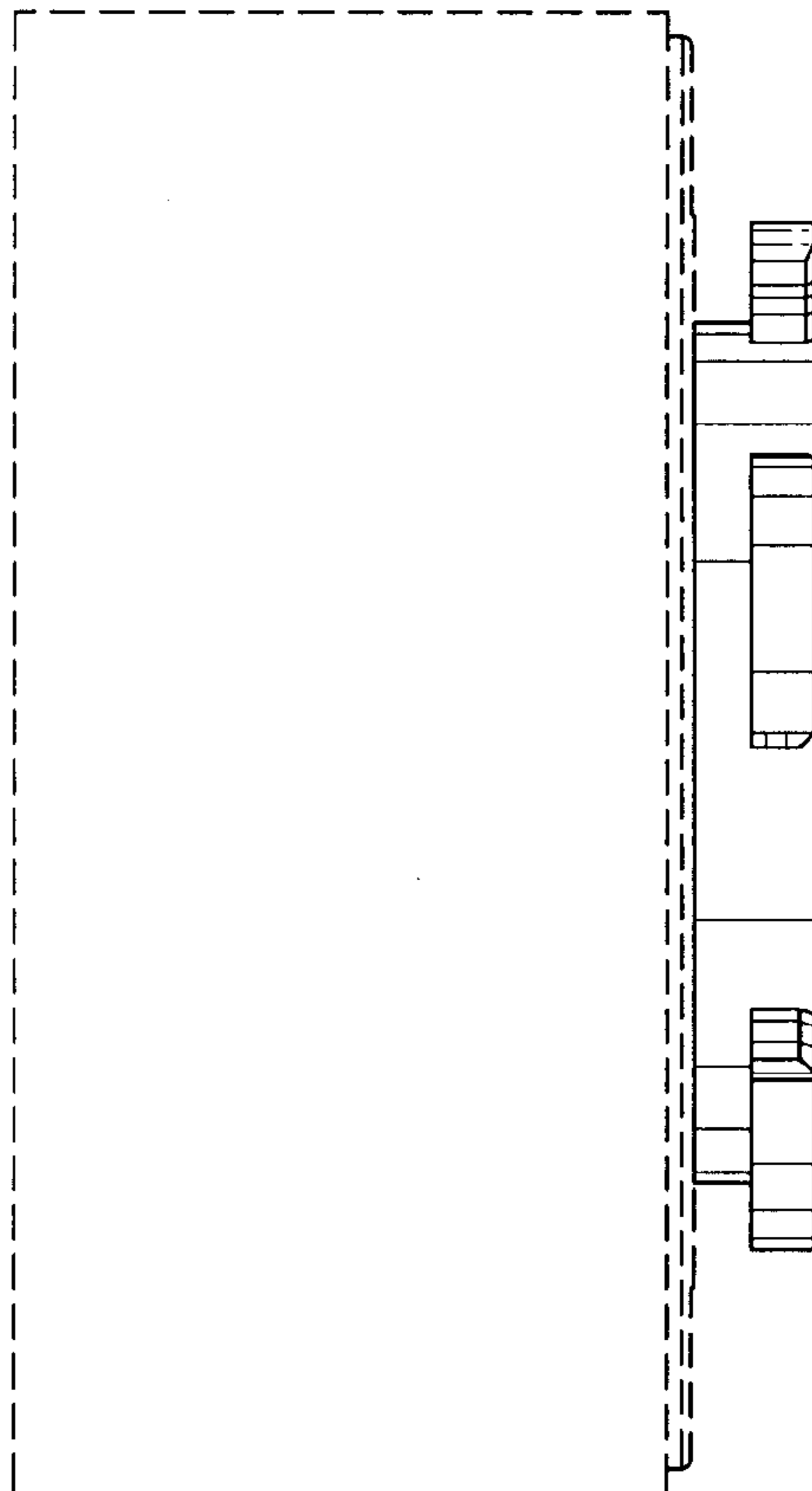


FIG. 7

