

US00D549262S

(12) **United States Design Patent**
Funakoshi

(10) **Patent No.:** **US D549,262 S**

(45) **Date of Patent:** **** Aug. 21, 2007**

(54) **DIGITAL CAMERA**

(75) Inventor: **Yasuo Funakoshi**, Hachioji (JP)

(73) Assignee: **Olympus Corporation**, Tokyo (JP)

(**) Term: **14 Years**

(21) Appl. No.: **29/236,974**

(22) Filed: **Aug. 24, 2005**

Related U.S. Application Data

(62) Division of application No. 29/197,188, filed on Jan. 12, 2004, now Pat. No. Des. 513,621.

Foreign Application Priority Data

Nov. 28, 2003	(JP)	2003-035553
Nov. 28, 2003	(JP)	2003-035554
Nov. 28, 2003	(JP)	2003-035555
Nov. 28, 2003	(JP)	2003-035556

(51) **LOC (8) Cl.** **16-05**

(52) **U.S. Cl.** **D16/219**

(58) **Field of Classification Search** D16/200-204,
D16/208, 218, 219; 348/373-376; 358/909.1;
396/535-541

See application file for complete search history.

(56) **References Cited**

U.S. PATENT DOCUMENTS

6,033,130	A	3/2000	Muroi et al.	396/535
D430,187	S	* 8/2000	Naito	D16/218
D433,693	S	11/2000	Kobayashi	D16/202

D441,778	S	5/2001	Funakoshi	D16/202
D446,532	S	8/2001	Takahashi	D16/202
6,463,222	B1	* 10/2002	Ito et al.	396/541
D465,505	S	* 11/2002	Nasu	D16/219
D474,793	S	5/2003	Yoshida	D16/202
D475,384	S	* 6/2003	Tanaka	D16/202
D484,162	S	12/2003	Moore et al.	D16/218
D484,904	S	* 1/2004	Naitou	D16/202
D511,183	S	* 11/2005	Yatabe	D16/219
D511,351	S	* 11/2005	Yatabe	D16/202

* cited by examiner

Primary Examiner—Adir Aronovich

(74) *Attorney, Agent, or Firm*—Hogan & Hartson LLP

(57) **CLAIM**

The ornamental design for a digital camera, as shown and described.

DESCRIPTION

FIG. 1 is a front elevational view of a digital camera showing my new design;

FIG. 2 is a rear elevational view thereof;

FIG. 3 is a top plan view thereof;

FIG. 4 is a bottom plan view thereof;

FIG. 5 is a right side elevational view thereof; and,

FIG. 6 is a left side elevational view thereof.

The portions of camera in broken lines are shown for illustrative purpose only and form no part of the claimed design.

1 Claim, 3 Drawing Sheets

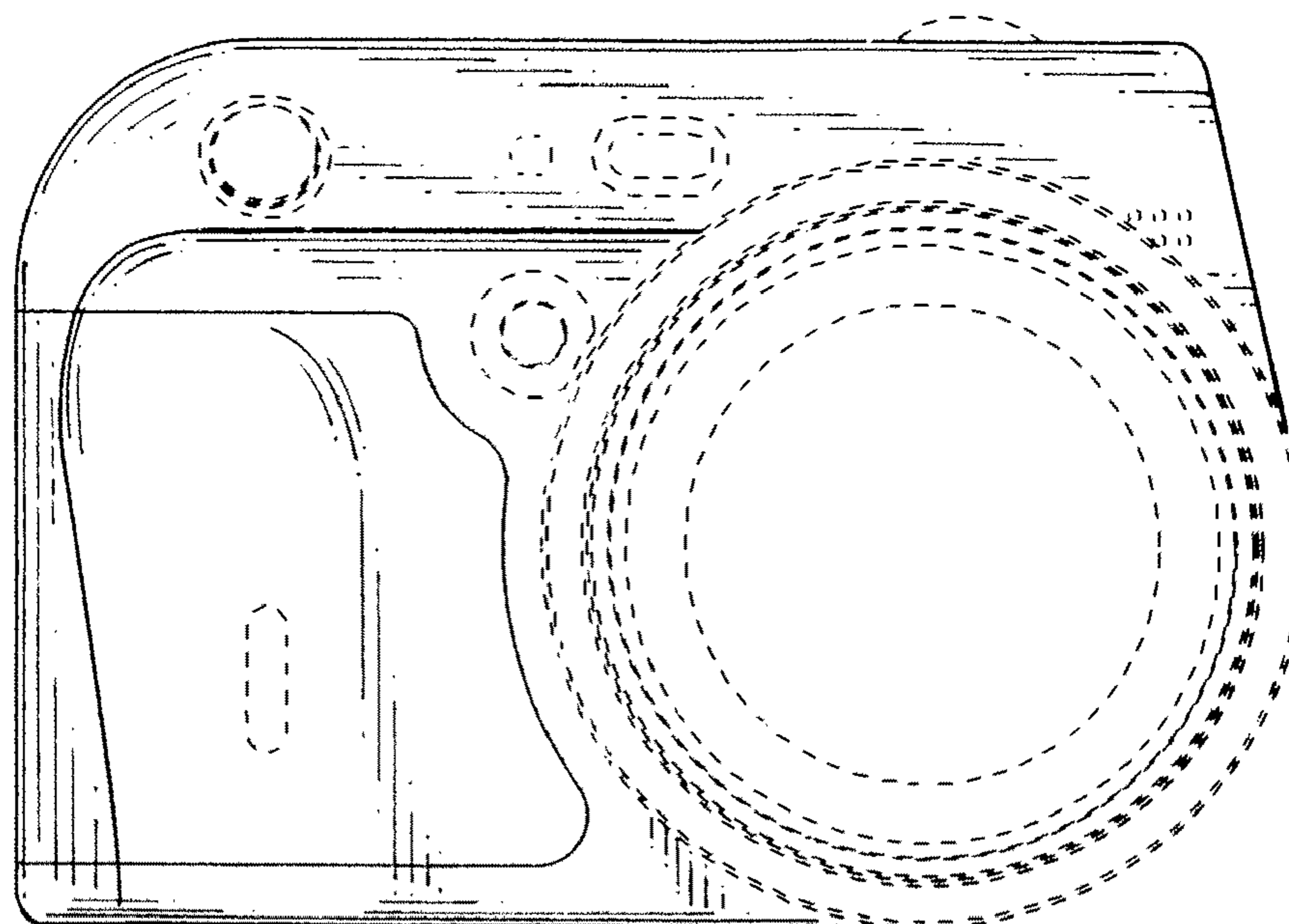


FIG. 1

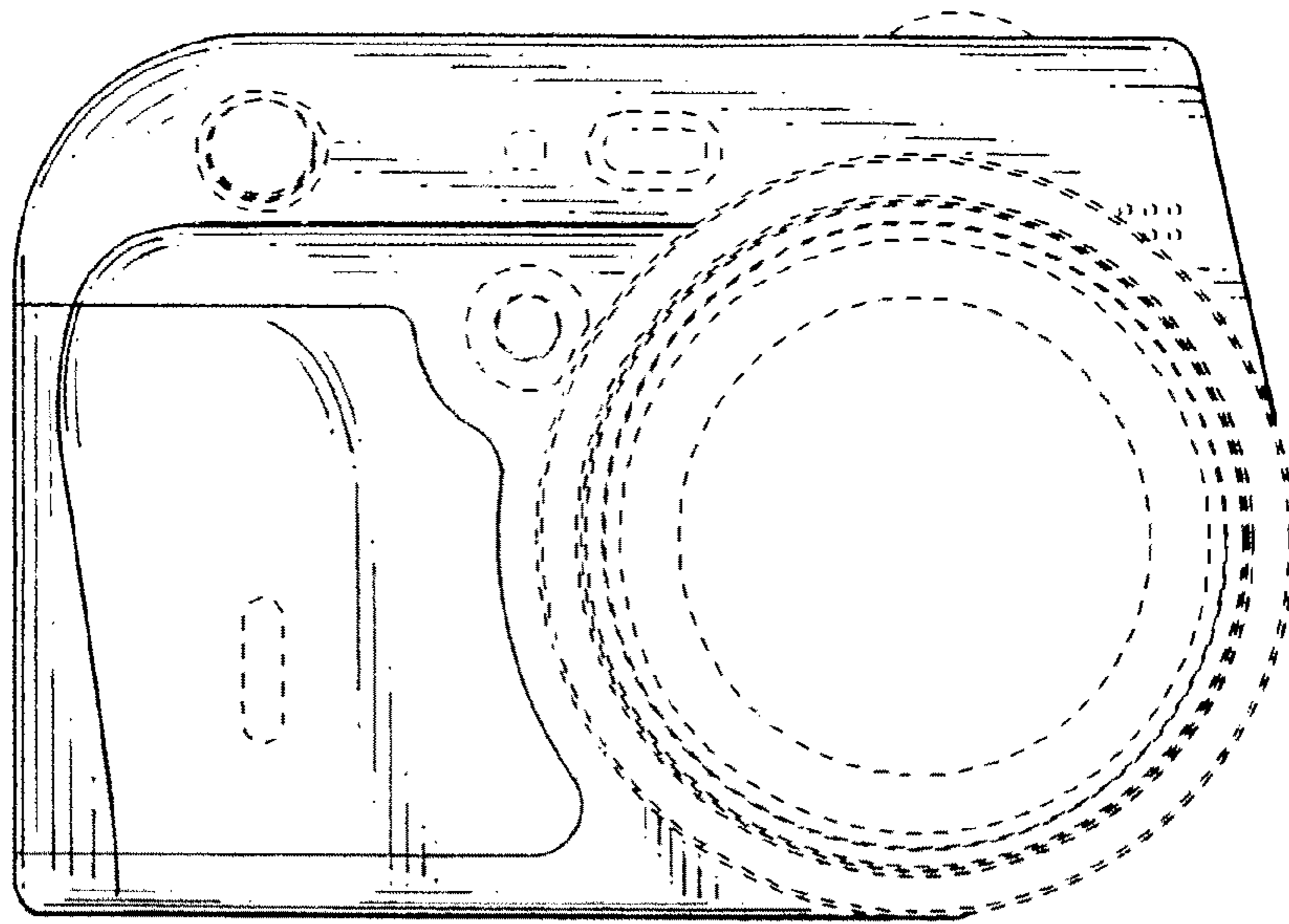


FIG. 2

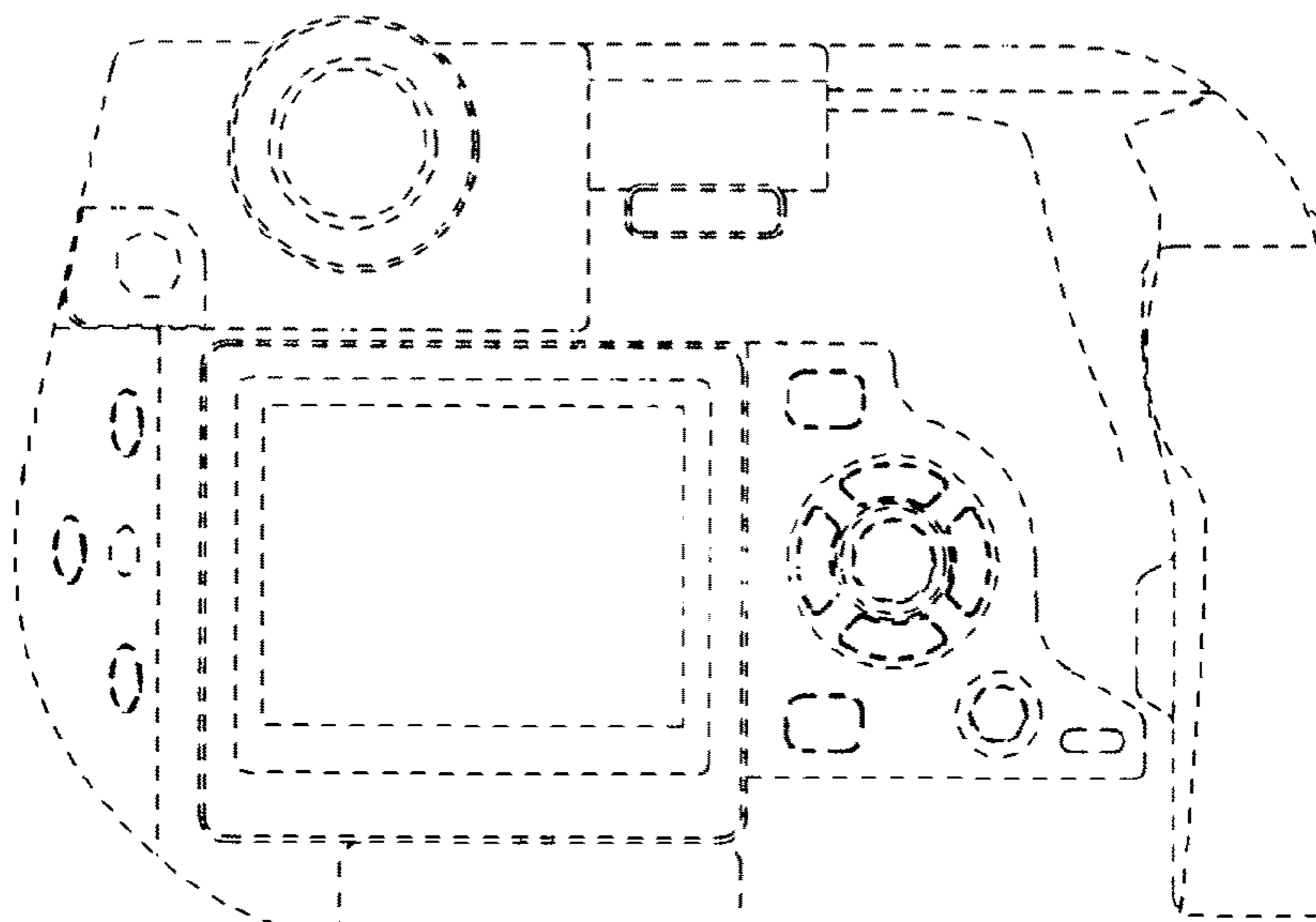


FIG. 3

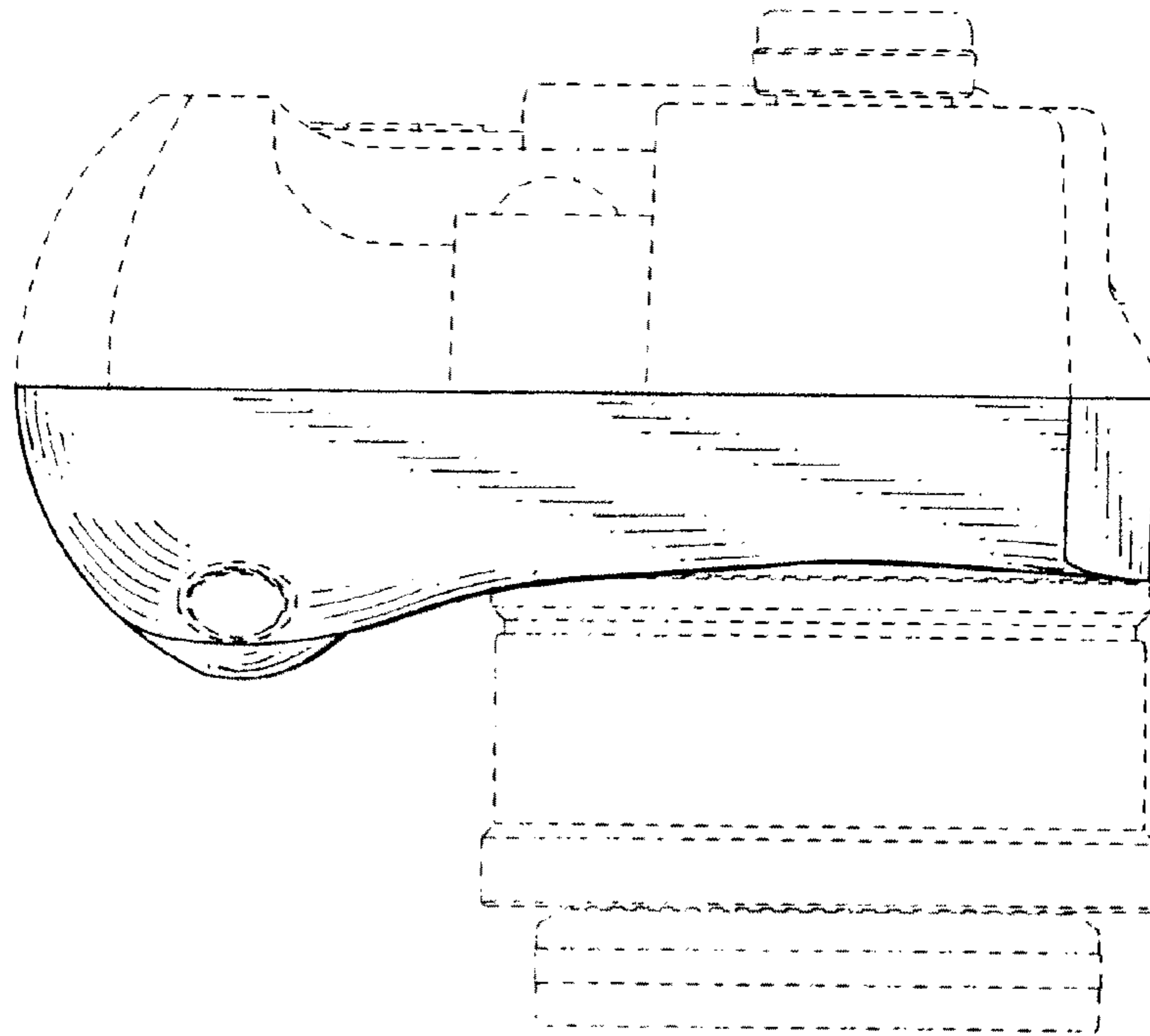


FIG. 4

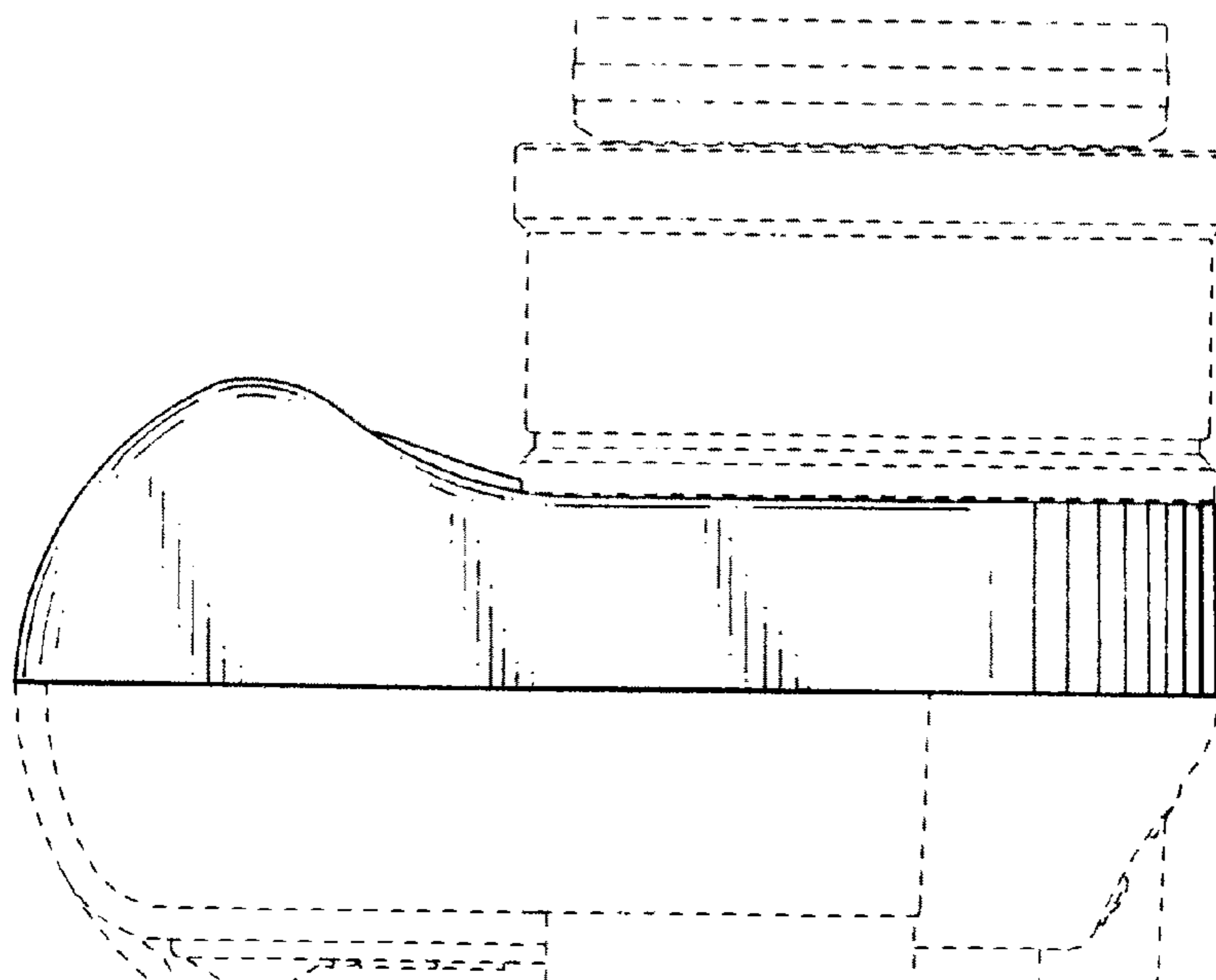


FIG. 5

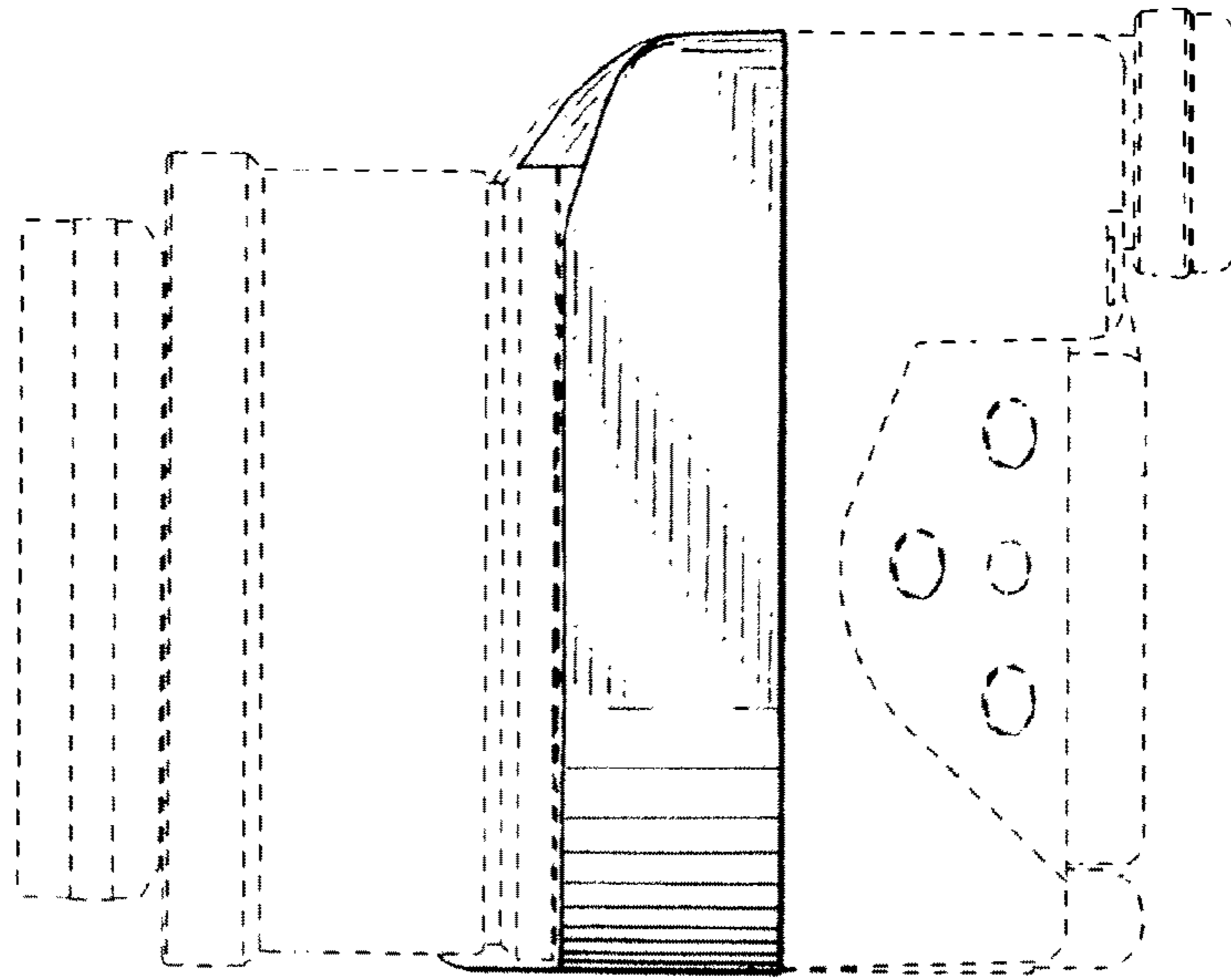


FIG. 6

