



US00D549261S

(12) **United States Design Patent**
Hayashi et al.

(10) **Patent No.:** **US D549,261 S**

(45) **Date of Patent:** **** Aug. 21, 2007**

(54) **CAMCORDER**

(75) Inventors: **Eiichiro Hayashi**, Tokyo (JP); **Tatsuya Narita**, Yokohama (JP); **Yoshifumi Yamaguchi**, Tokyo (JP)

(73) Assignee: **Victor Company of Japan, Limited**, Yokohama-shi (JP)

(**) Term: **14 Years**

(21) Appl. No.: **29/254,450**

(22) Filed: **Feb. 24, 2006**

(30) **Foreign Application Priority Data**

Aug. 25, 2005 (JP) D2005-024540

(51) **LOC (8) Cl.** **16-01**

(52) **U.S. Cl.** **D16/202**

(58) **Field of Classification Search** D16/200–206,
D16/208, 218; 348/373–376; 358/906;
396/535–541

See application file for complete search history.

(56) **References Cited**

U.S. PATENT DOCUMENTS

- D439,263 S * 3/2001 Shiotani D16/202
- 6,219,489 B1 * 4/2001 Ohta et al. 358/906
- D455,769 S * 4/2002 Owada D16/202
- D456,434 S * 4/2002 Yamazaki D16/202

- D473,578 S * 4/2003 Kondoh et al. D16/202
- D476,021 S * 6/2003 Masano et al. D16/202
- D499,438 S * 12/2004 Shimizu D16/202

* cited by examiner

Primary Examiner—Adir Aronovich

(74) *Attorney, Agent, or Firm*—The Nath Law Group; Jerald L. Meyer; Derek Richmond

(57) **CLAIM**

The ornamental design for a camcorder, as shown and described.

DESCRIPTION

FIG. 1 is a front and right side perspective view of a camcorder showing our new design;

FIG. 2 is a front view thereof;

FIG. 3 is a rear view thereof;

FIG. 4 is a top plan view thereof;

FIG. 5 is a bottom view thereof;

FIG. 6 is a right side view thereof;

FIG. 7 is a left side view thereof; and,

FIG. 8 is a rear and right side perspective view of a camcorder thereof, showing the camcorder with its monitor panel opened.

1 Claim, 8 Drawing Sheets

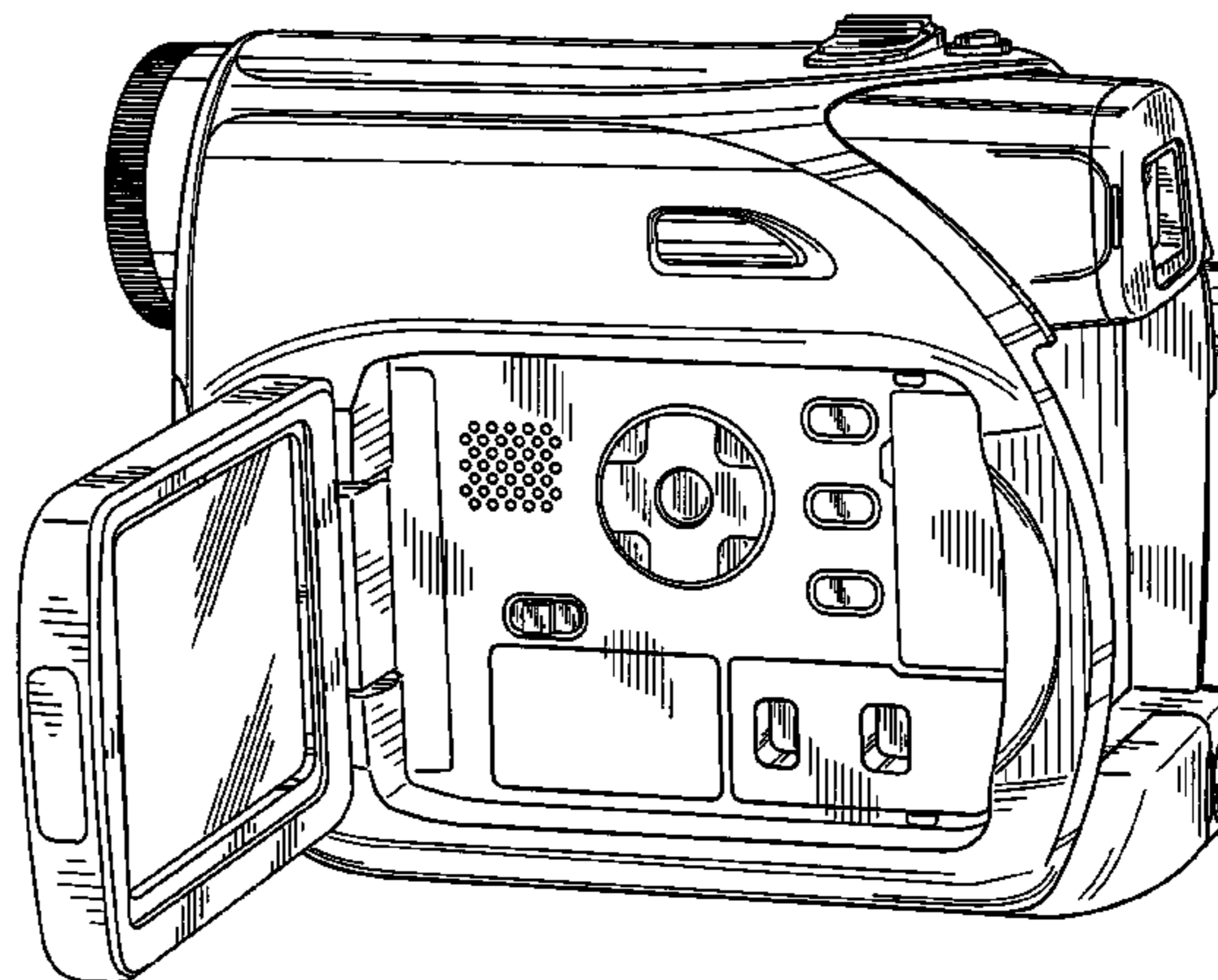
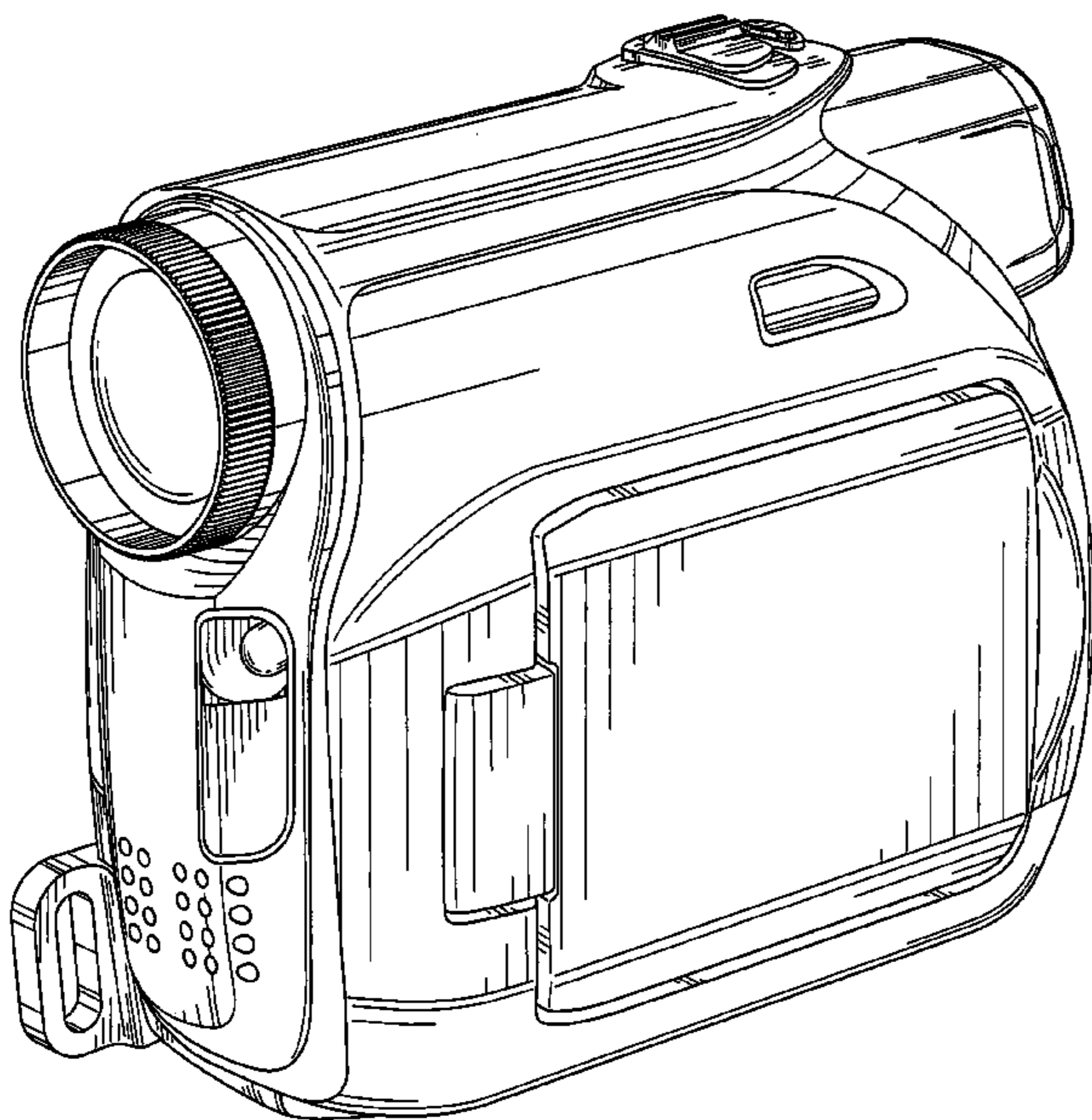


Fig.1

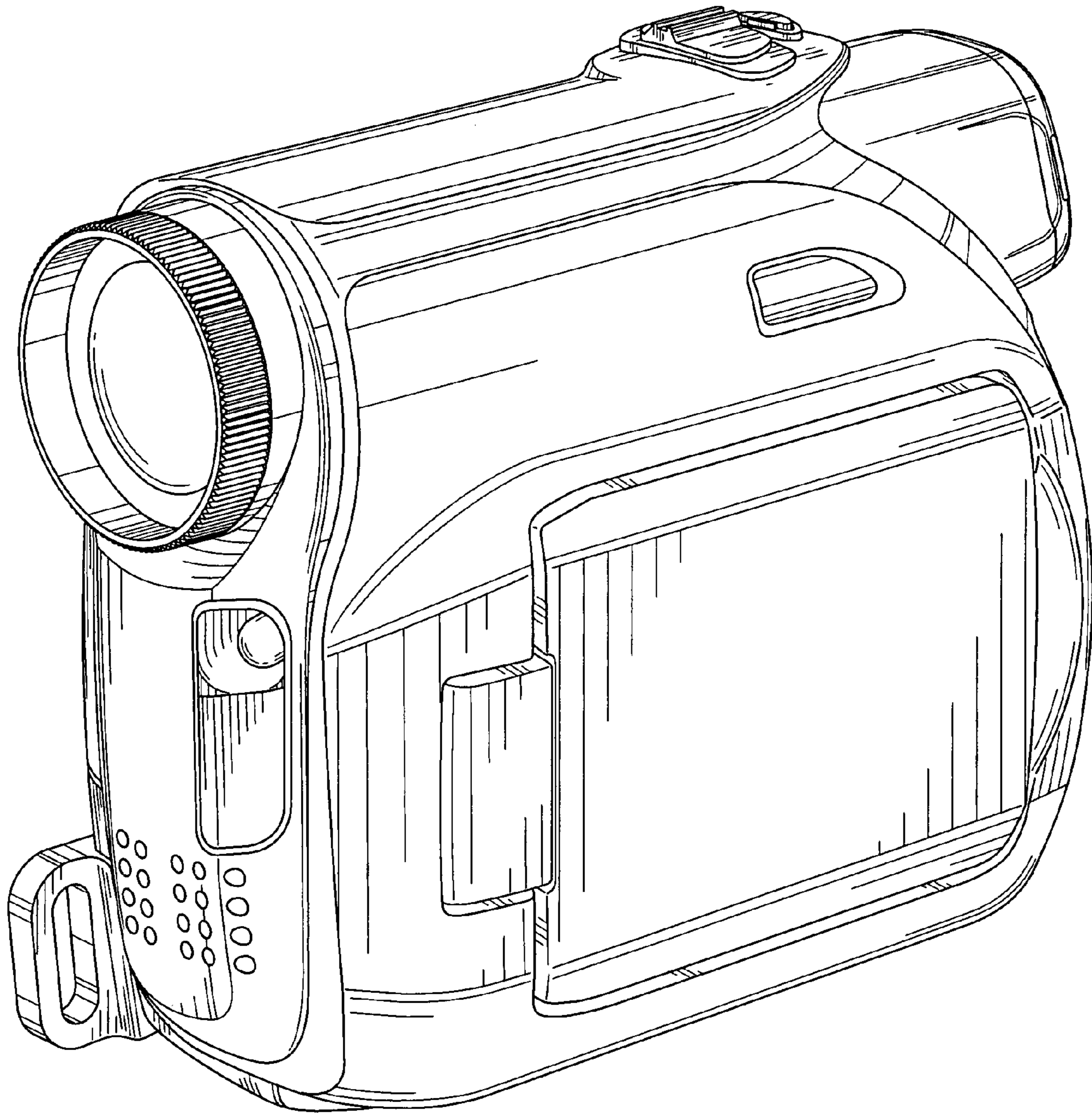


Fig.2

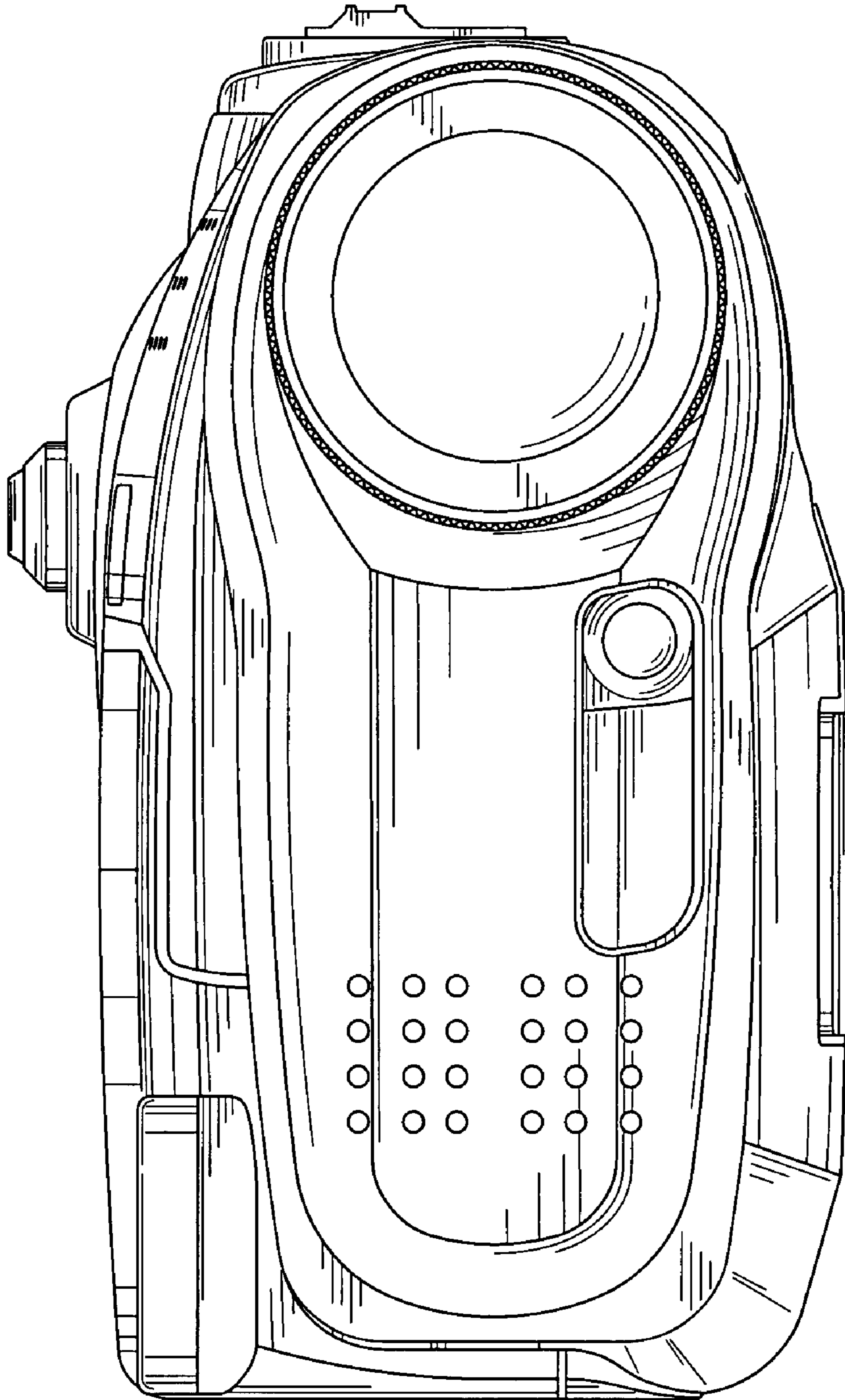


Fig.3

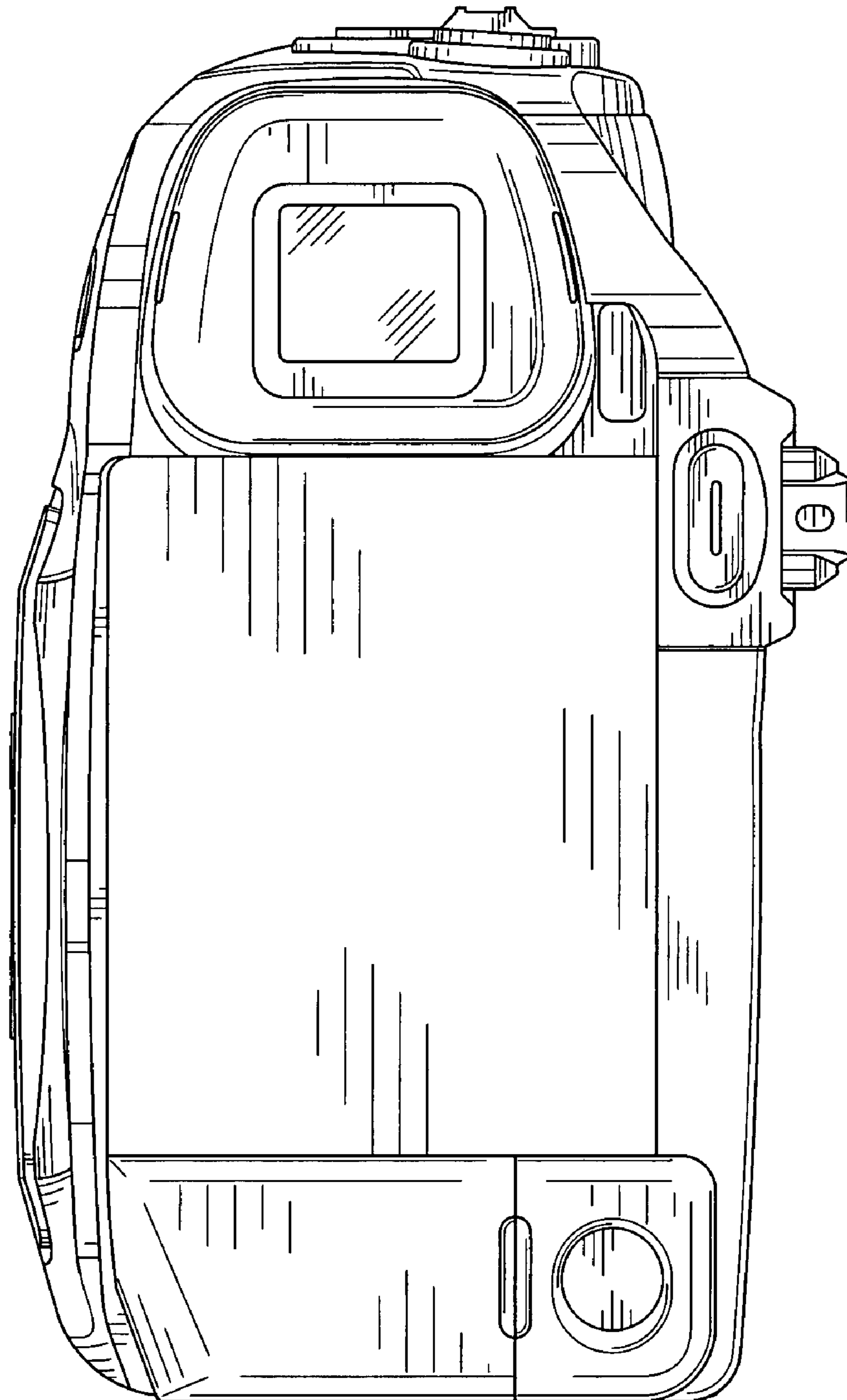


Fig.4

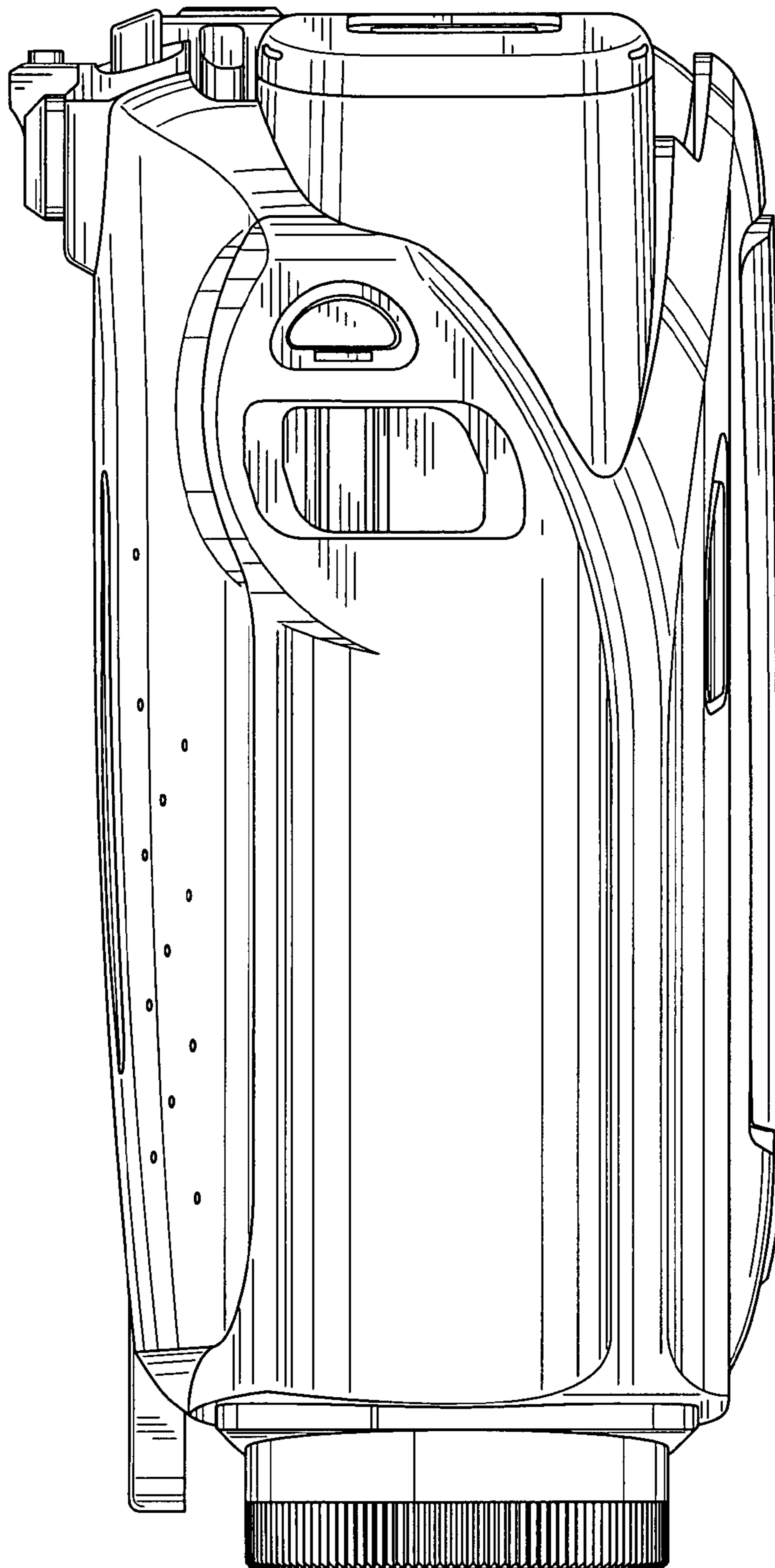
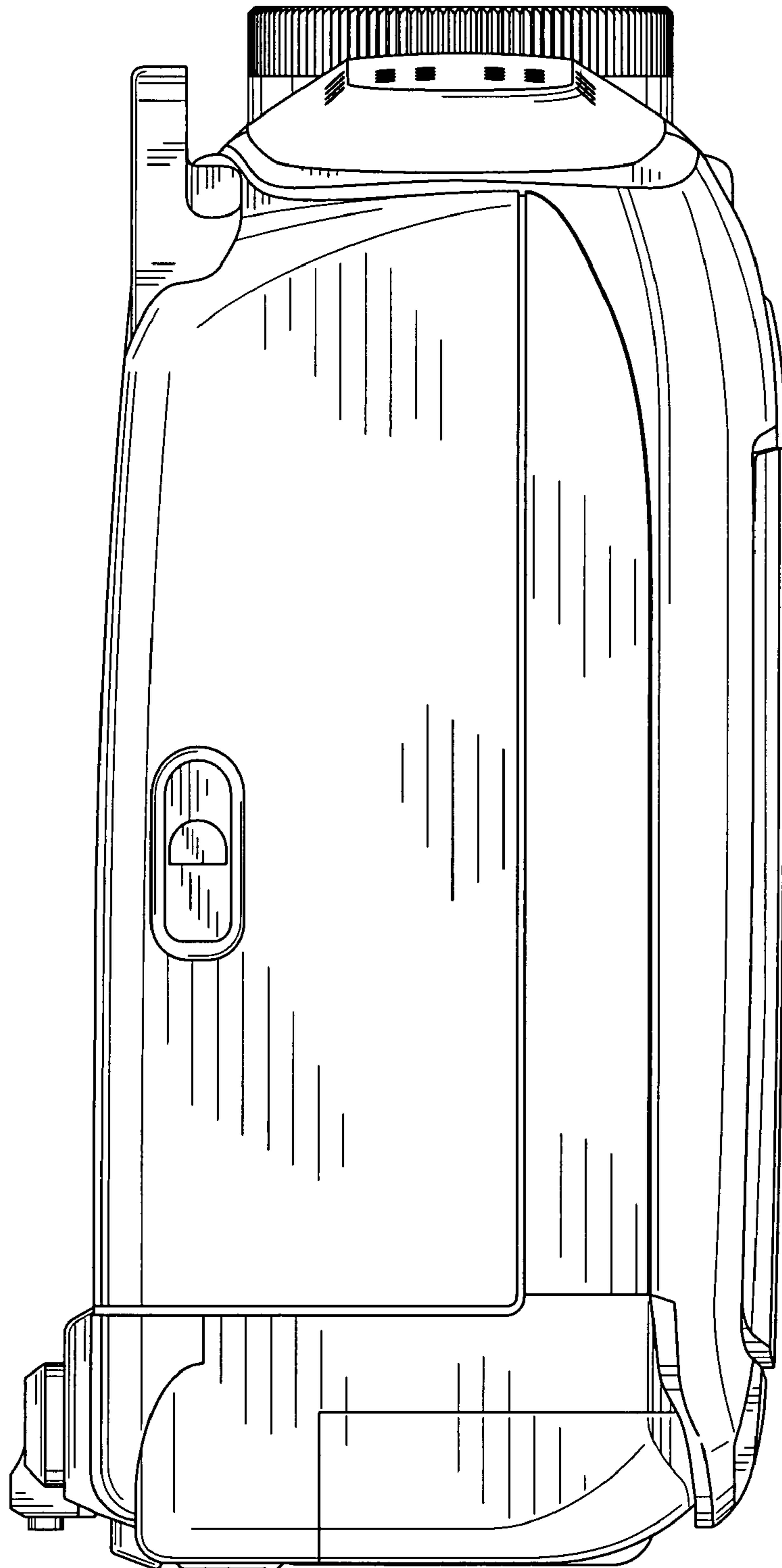


Fig.5



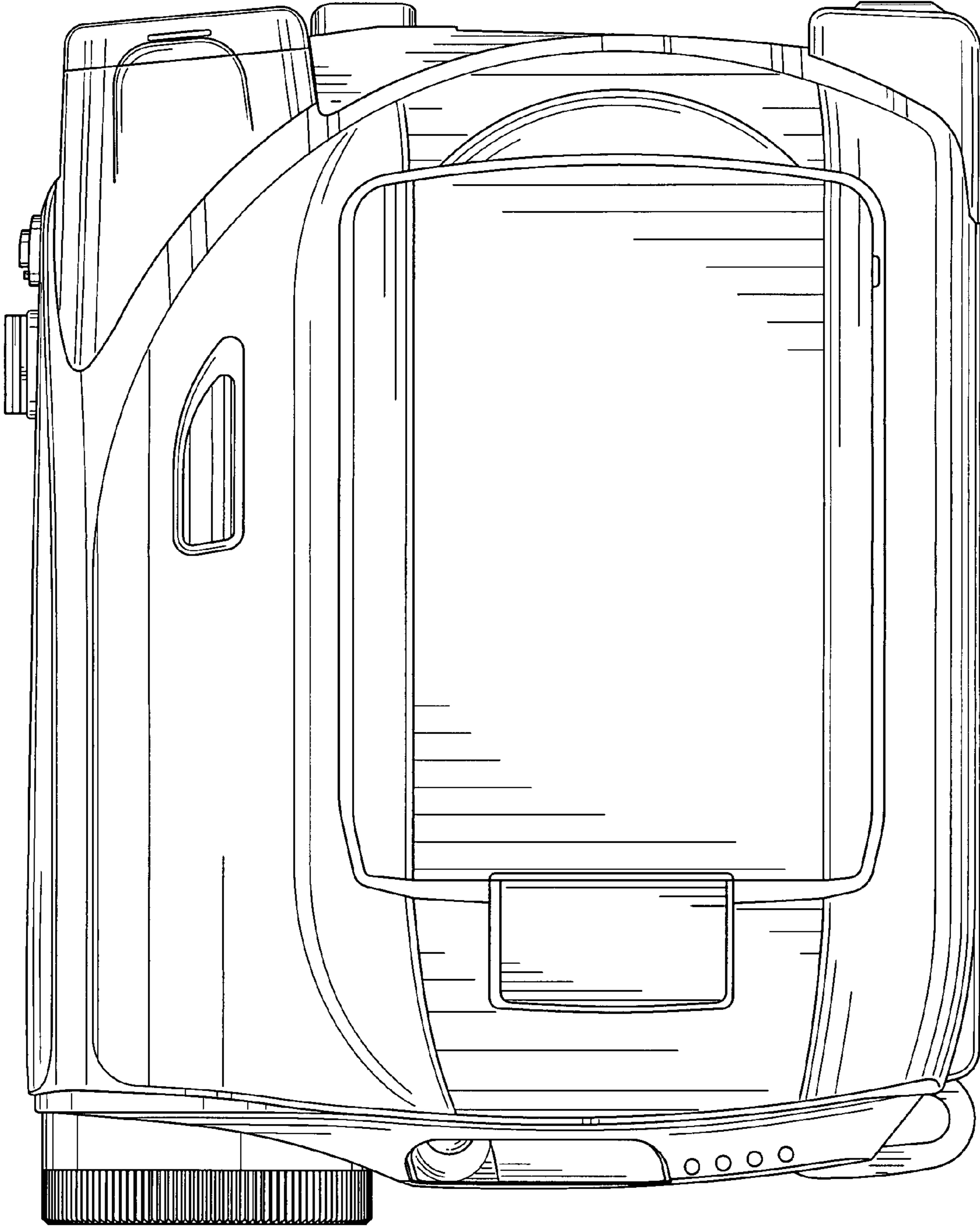


Fig.6

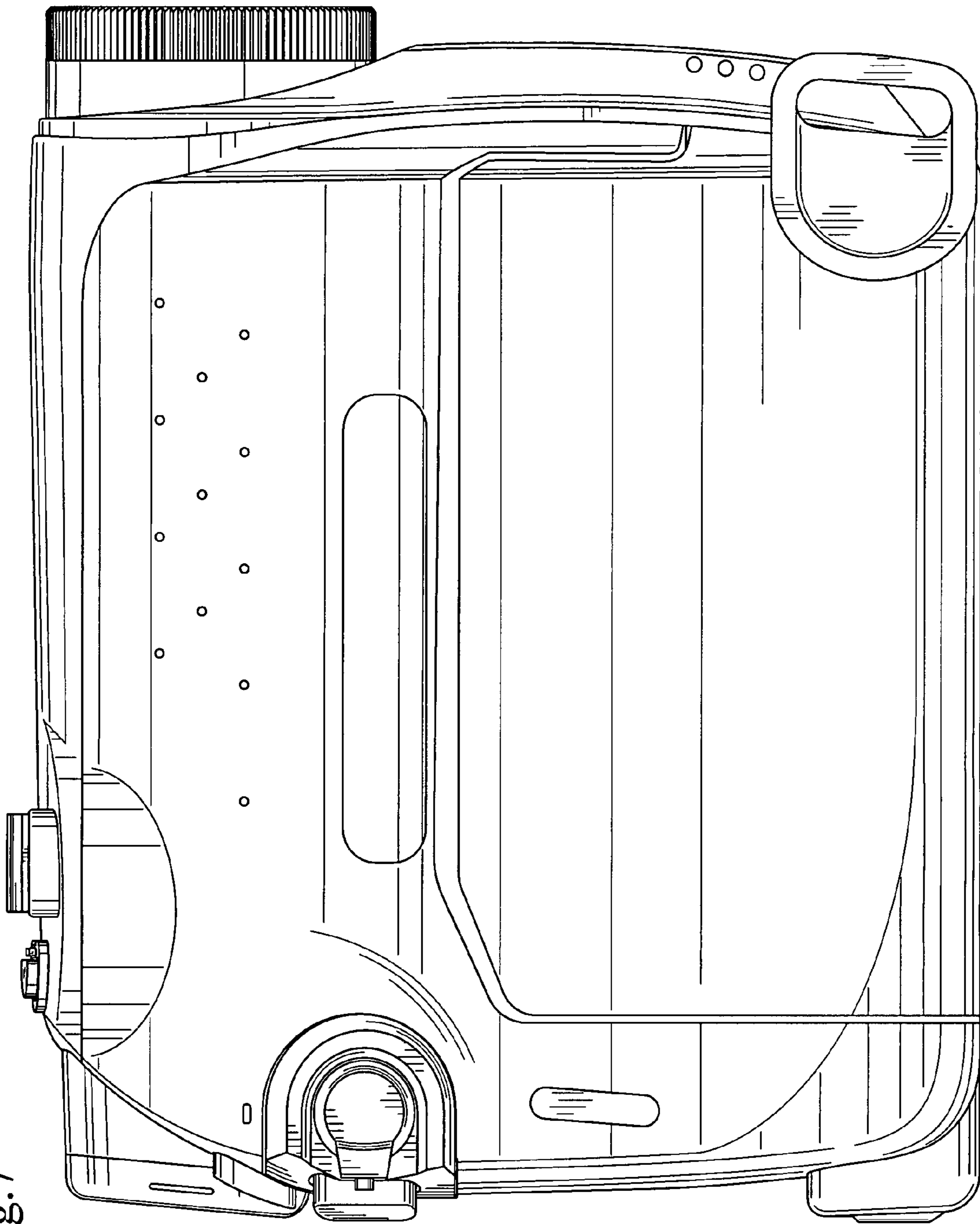


Fig. 7

Fig. 8

