

US00D549259S

(12) **United States Design Patent**  
**Wittenstein**

(10) **Patent No.:** **US D549,259 S**

(45) **Date of Patent:** **\*\* Aug. 21, 2007**

(54) **ANGULAR GEAR**

(75) Inventor: **Manfred Wittenstein**, Bad Mergentheim (DE)

(73) Assignee: **Wittenstein AG** (DE)

(\*\*) Term: **14 Years**

(21) Appl. No.: **29/209,771**

(22) Filed: **Jul. 20, 2004**

(30) **Foreign Application Priority Data**

Jan. 21, 2004 (DE) ..... 4 04 00 289

(51) **LOC (8) Cl.** ..... **15-09**

(52) **U.S. Cl.** ..... **D15/149**

(58) **Field of Classification Search** ..... 73/862.191,  
73/862.338; 74/409, 416-417, 421 A, 606 R,  
74/606 A; D15/148-149

See application file for complete search history.

(56) **References Cited**

U.S. PATENT DOCUMENTS

D138,216 S	*	7/1944	Nardone	.....	D15/149
4,023,433 A	*	5/1977	Schutz	.....	74/425
D350,358 S	*	9/1994	Kaye	.....	D15/149
5,634,374 A	*	6/1997	Depietri	.....	74/420
5,737,968 A	*	4/1998	Hardey et al.	.....	74/421 A
D479,725 S	*	9/2003	Lannoch	.....	D15/148
D491,209 S	*	6/2004	Tsergas	.....	D15/148

\* cited by examiner

*Primary Examiner*—Antoine D. Davis

*Assistant Examiner*—Patricia Palasik

(74) *Attorney, Agent, or Firm*—Bachman & LaPointe

(57) **CLAIM**

The ornamental design for an angular gear, as shown and described.

**DESCRIPTION**

The patent or application file contains at least one drawing executed in color. Copies of this patent or patent application

publication with color drawing(s) will be provided by the Office upon request and payment of the necessary fee.

FIG. 1 is a front view of an angular gear in accordance with a first embodiment of the present invention;

FIG. 2 is a left side view of the angular gear of FIG. 1;

FIG. 3 is a front perspective view of the angular gear of FIG. 1;

FIG. 4 is another front perspective view of the angular gear of FIG. 1;

FIG. 5 is a rear perspective view of the angular gear of FIG. 1;

FIG. 6 is a right side perspective view of the angular gear of FIG. 1;

FIG. 7 is a rear view of the angular gear of FIG. 1;

FIG. 8 is a rear view of the angular gear of FIG. 1 with a cover attached;

FIG. 9 is an enlarged front view of the angular gear of FIG. 1;

FIG. 10 is a top view of the angular gear of FIG. 1;

FIG. 11 is a bottom view of the angular gear of FIG. 1;

FIG. 12 is a right side view of a second embodiment of an angular gear in accordance with the present invention;

FIG. 13 is a left side view of the angular gear of FIG. 12;

FIG. 14 is a left front perspective view of the angular gear of FIG. 12;

FIG. 15 is a right front perspective view of the angular gear of FIG. 12;

FIG. 16 is a left rear perspective view of the angular gear of FIG. 12;

FIG. 17 is a right rear perspective view of the angular gear of FIG. 12;

FIG. 18 is a rear view of the angular gear of FIG. 12 with cover attached;

FIG. 19 is a front view of the angular gear of FIG. 12;

FIG. 20 is a top view of the angular gear of FIG. 12;

FIG. 21 is a bottom view of the angular gear of FIG. 12;

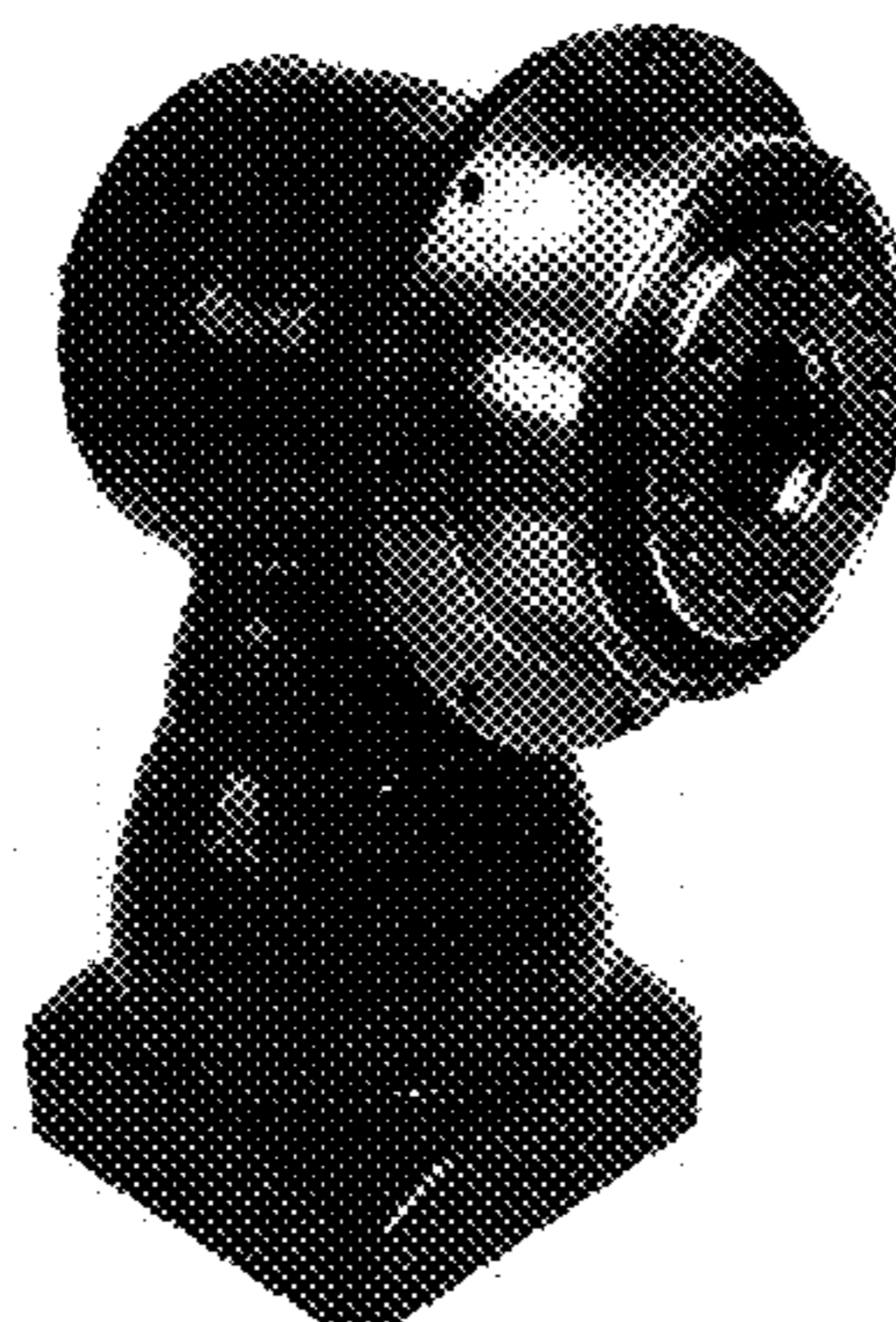
FIG. 22 is a right side view of an angular gear in accordance with a third embodiment of the present invention; and,

FIG. 23 is a left front perspective view of the angular gear of FIG. 22.

The “inspired by alpha” logo forming part of the claimed design is a trademark of Manfred Wittenstein.

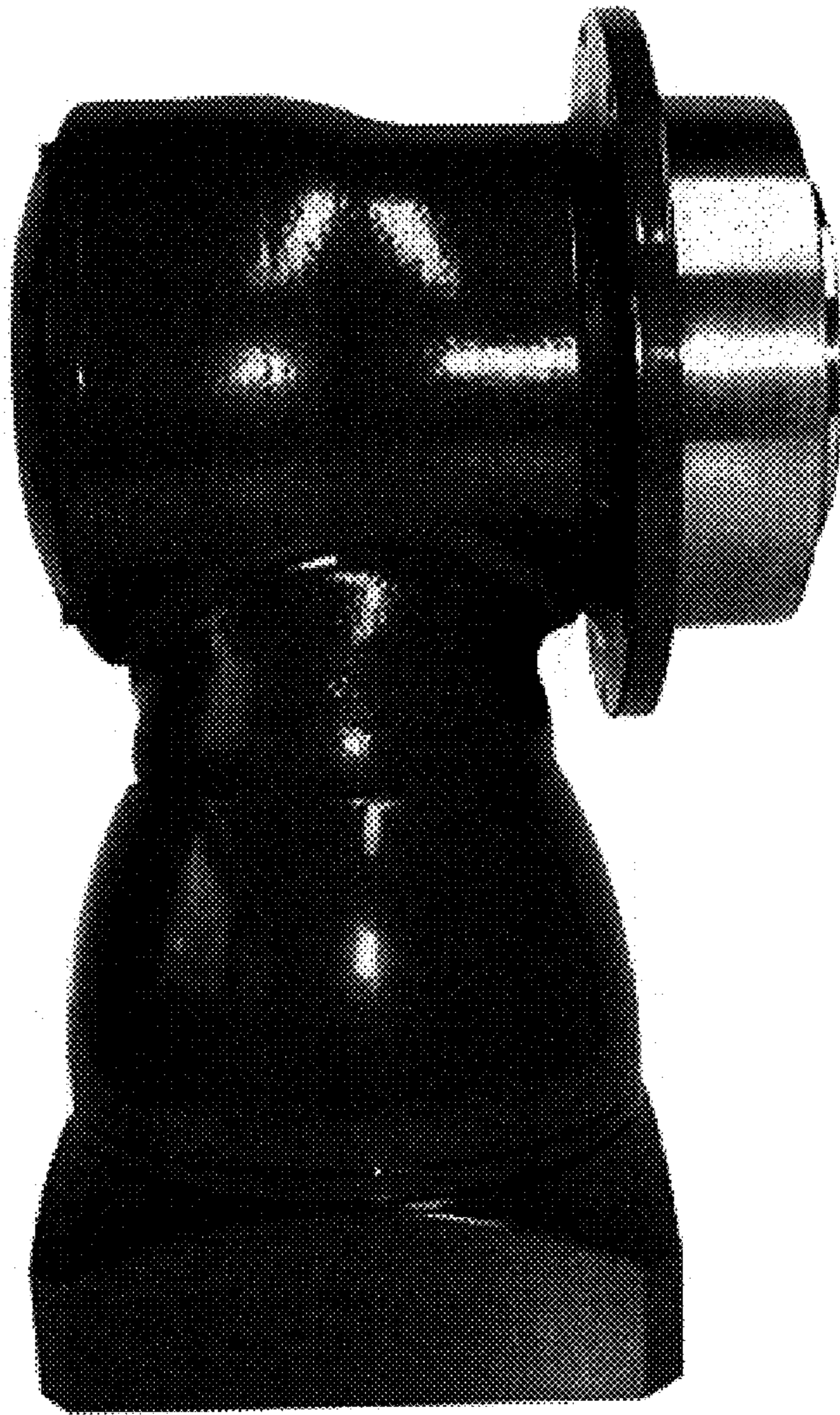
**1 Claim, 23 Drawing Sheets**

**(23 of 23 Drawing Sheet(s) Filed in Color)**





*FIG. 1*



*FIG. 2*



*FIG. 3*



*FIG. 4*



*FIG. 5*



*FIG. 6*



*FIG. 7*





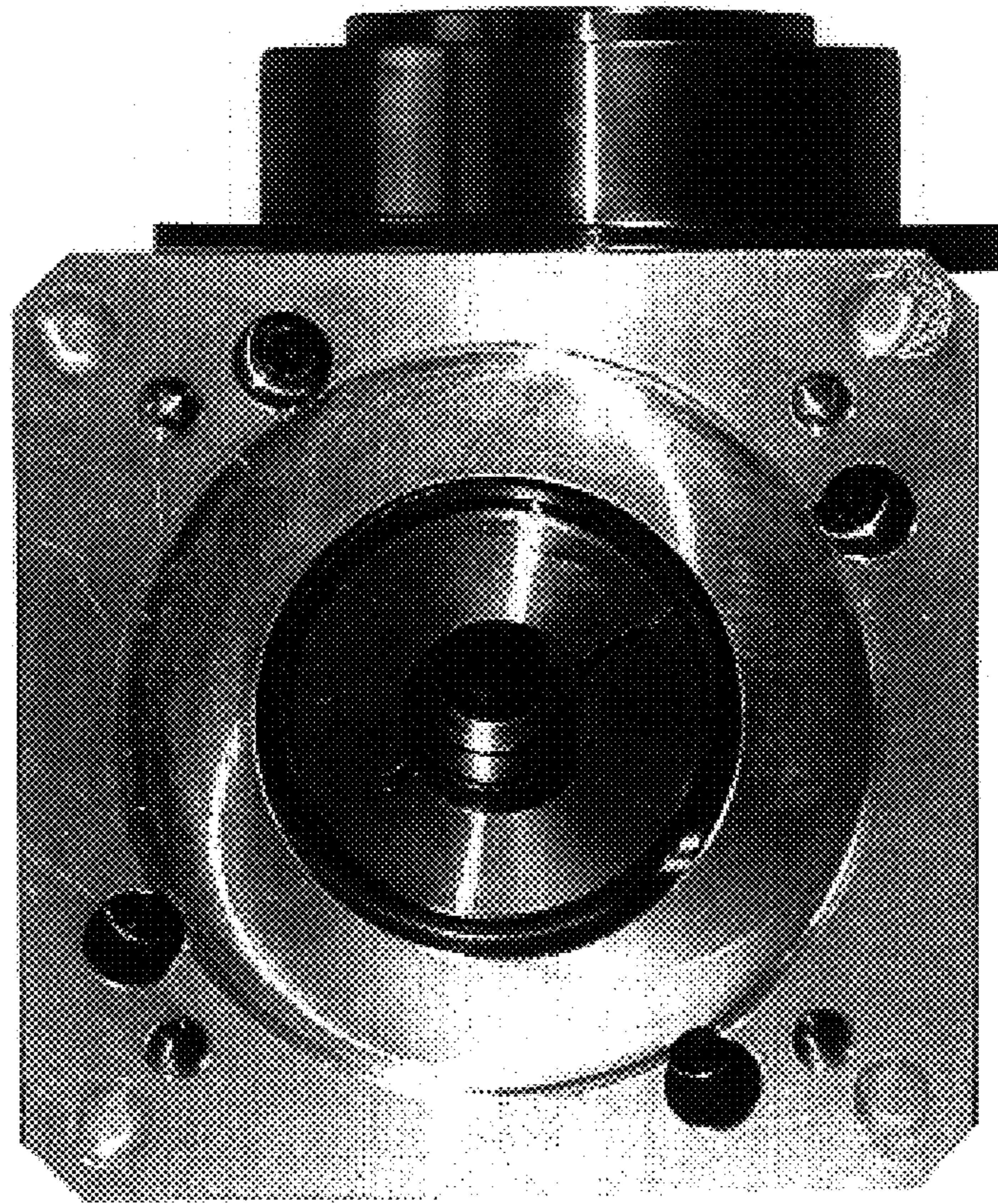
*FIG. 8*



*FIG. 9*



*FIG. 10*



*FIG. 11*



*FIG. 12*



*FIG. 13*



*FIG. 14*



*FIG. 15*





*FIG. 16*



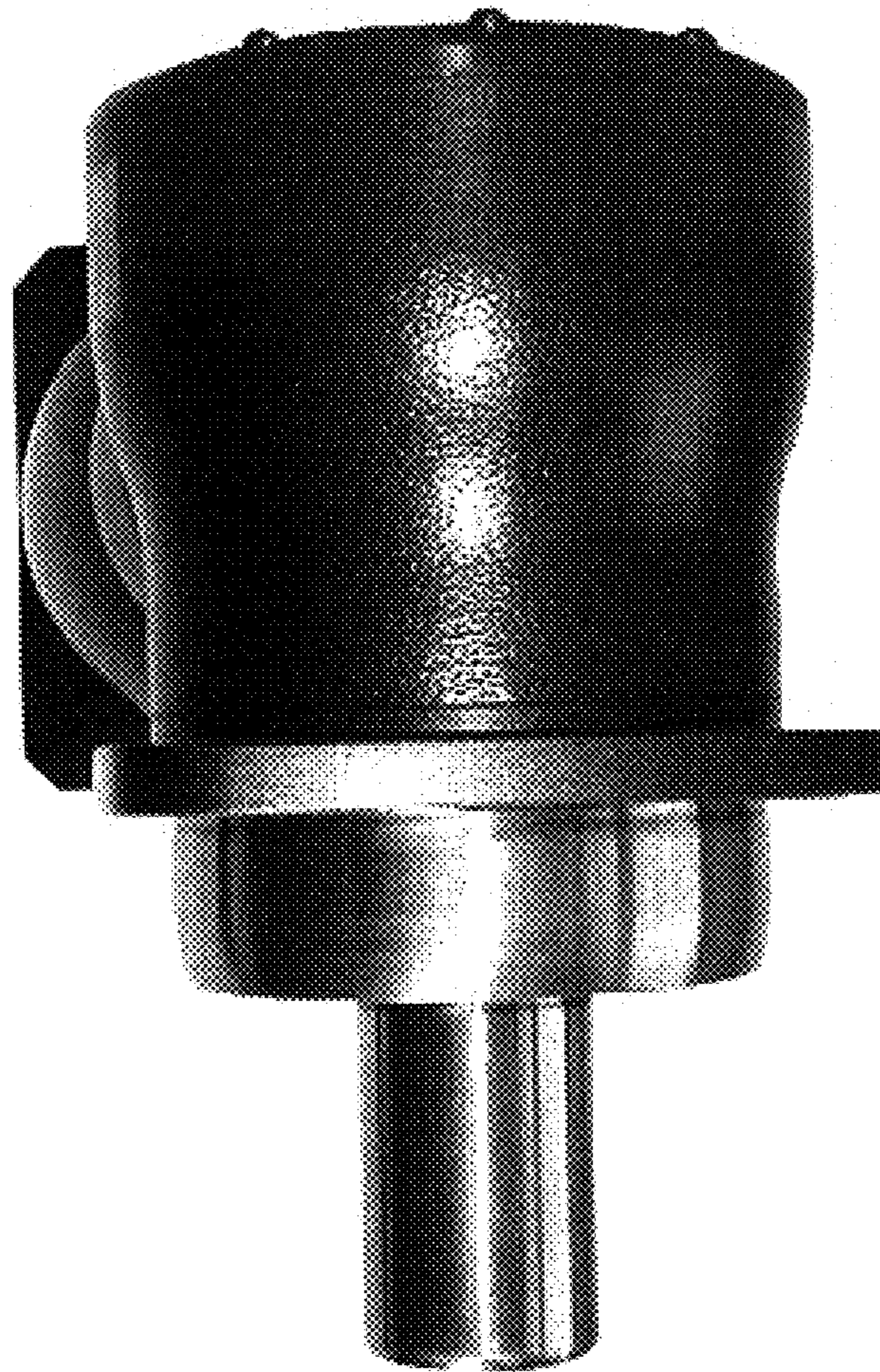
*FIG. 17*



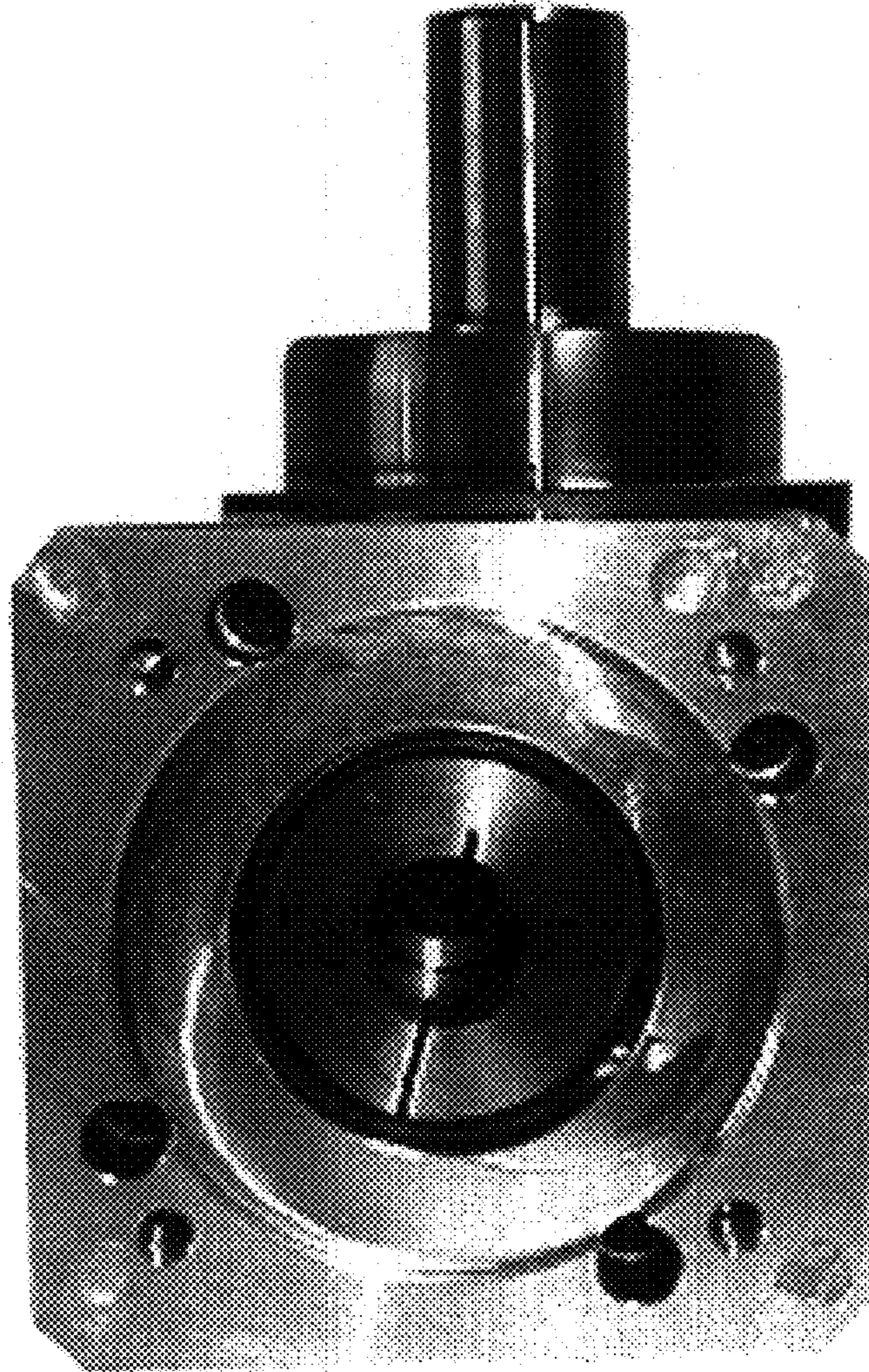
*FIG. 18*



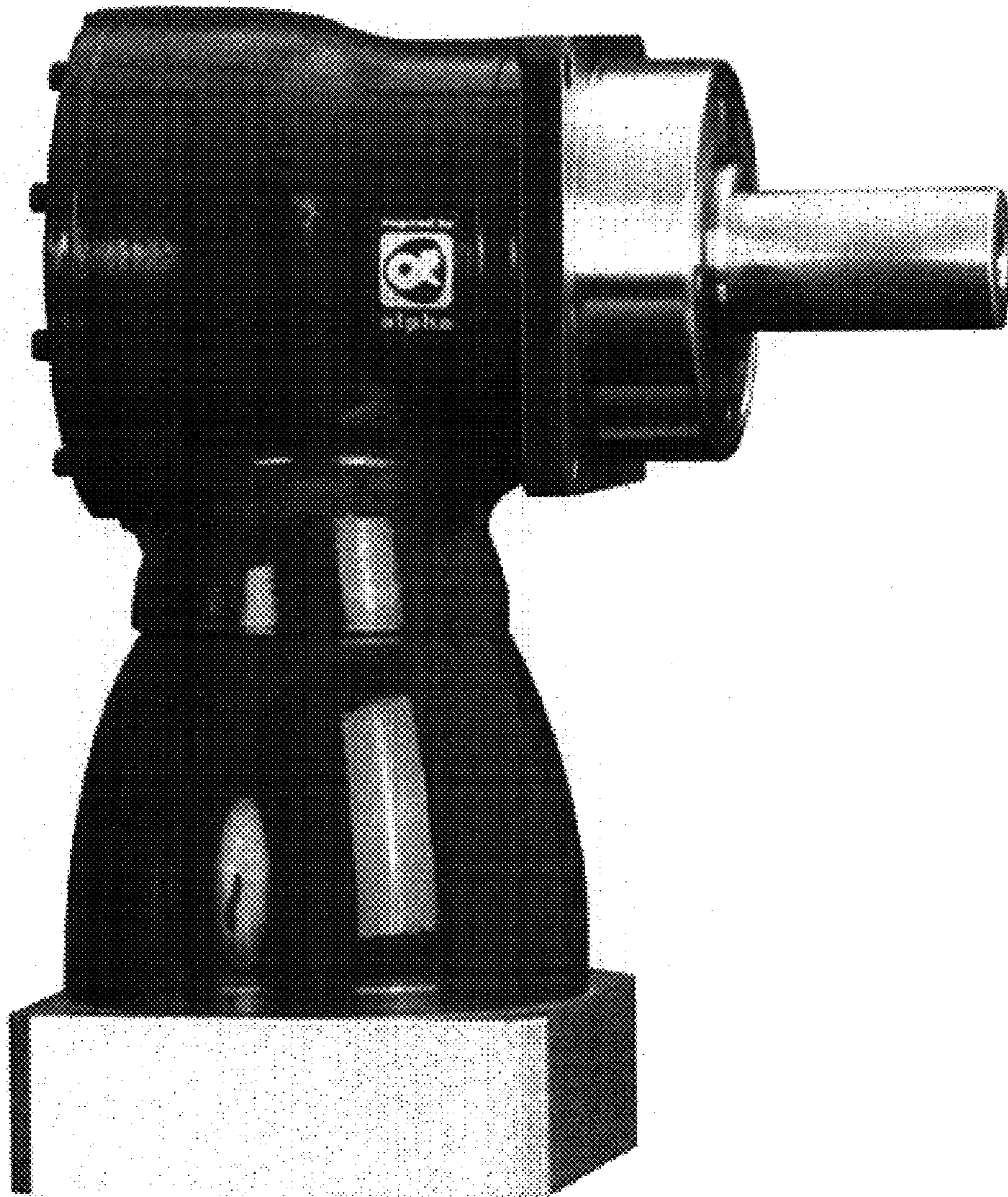
*FIG. 19*



*FIG. 20*



*FIG. 21*



*FIG. 22*



*FIG. 23*