



US00D549256S

(12) **United States Design Patent**
Bartleucci et al.

(10) **Patent No.:** **US D549,256 S**
(45) **Date of Patent:** **** Aug. 21, 2007**

(54) **APPARATUS FOR STUFFING PLUSH TOYS**

(57) **CLAIM**

(76) Inventors: **Frank Bartleucci**, 168 Wave Rd.,
Manahawkin, NJ (US) 08050; **Pete**
Pirmann, 18 Douma Dr., Newton, NJ
(US) 07860; **Todd Gordon**, 15 Norman
Dr., Shoreham, NY (US) 11786

The ornamental design for an apparatus for stuffing plush
toys, as shown and described.

(**) Term: **14 Years**

(21) Appl. No.: **29/257,714**

(22) Filed: **Apr. 10, 2006**

(51) **LOC (8) Cl.** **15-09**

(52) **U.S. Cl.** **D15/145**

(58) **Field of Classification Search** D15/66,
D15/145; 19/85, 305; 53/428; 141/67;
222/412; 406/99, 173; 452/32

See application file for complete search history.

(56) **References Cited**

U.S. PATENT DOCUMENTS

D427,209 S * 6/2000 Collida et al. D15/66
D490,089 S * 5/2004 Box et al. D15/66
2006/0163291 A1* 7/2006 Bartleucci et al. 222/412
2006/0243837 A1* 11/2006 Wong 241/82.1

* cited by examiner

Primary Examiner—Antoine D. Davis

Assistant Examiner—Patricia Palasik

(74) *Attorney, Agent, or Firm*—Cohen Pontani Lieberman &
Pavane LLP

DESCRIPTION

FIG. 1 shows a front perspective view of an apparatus for
stuffing plush toys in accordance with one embodiment of
the invention;

FIG. 2 depicts a front plan view thereof;

FIG. 3 depicts a rear plan view thereof;

FIG. 4 depicts a left-side view of the apparatus of FIG. 1;

FIG. 5 is a right-side view thereof;

FIG. 6 is a top view of the apparatus of FIG. 1;

FIG. 7 is a bottom view thereof;

FIG. 8 is a front perspective view of an apparatus for stuffing
plush toys in accordance with an alternative embodiment of
the invention;

FIG. 9 is a front plan view of the apparatus of FIG. 8;

FIG. 10 is a rear plan view of the apparatus of FIG. 8;

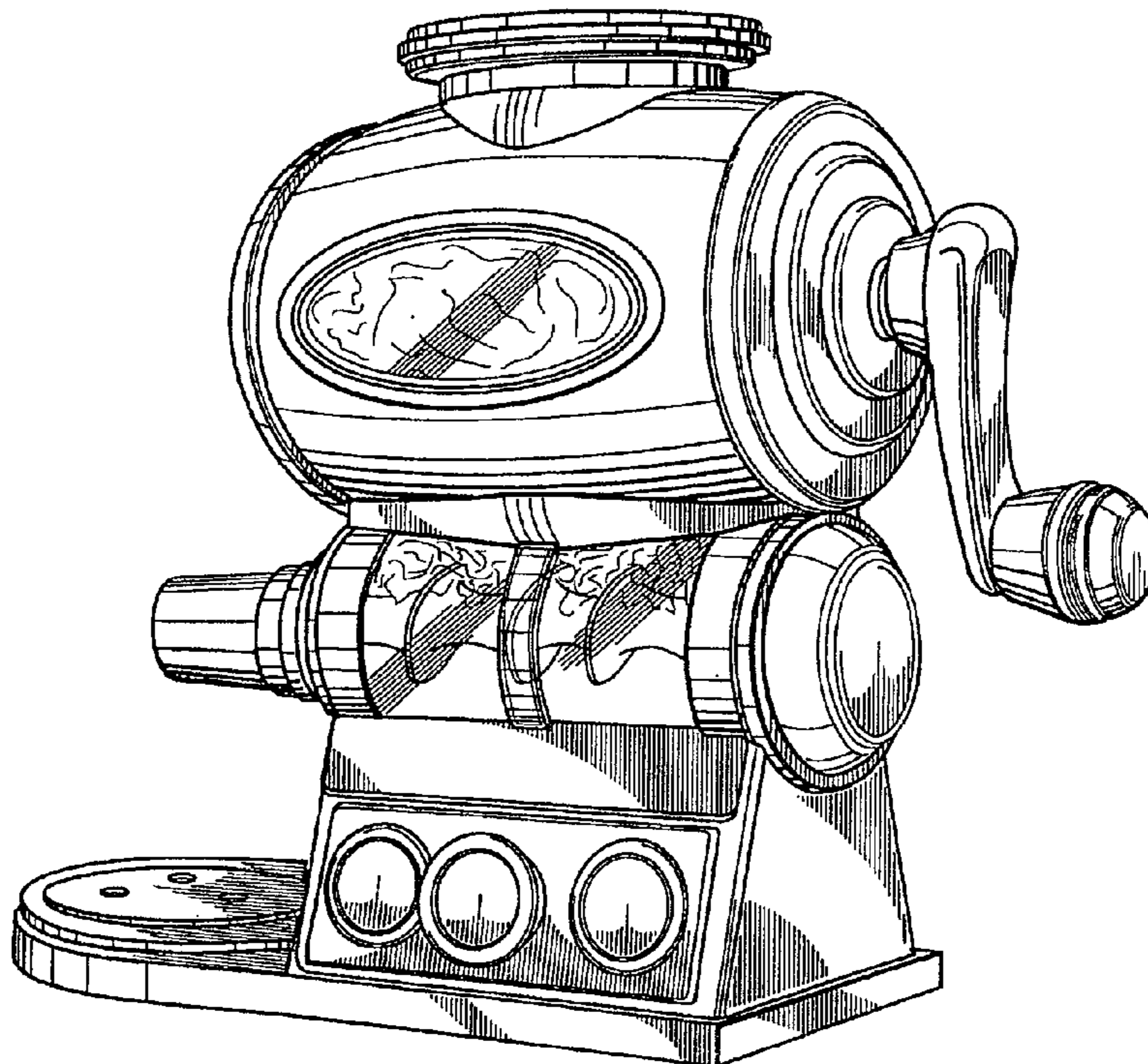
FIG. 11 is a left-side view of the apparatus of FIG. 8;

FIG. 12 is a right-side view of the apparatus of FIG. 8;

FIG. 13 is a top view of the apparatus of FIG. 8; and,

FIG. 14 is a bottom view thereof.

1 Claim, 8 Drawing Sheets



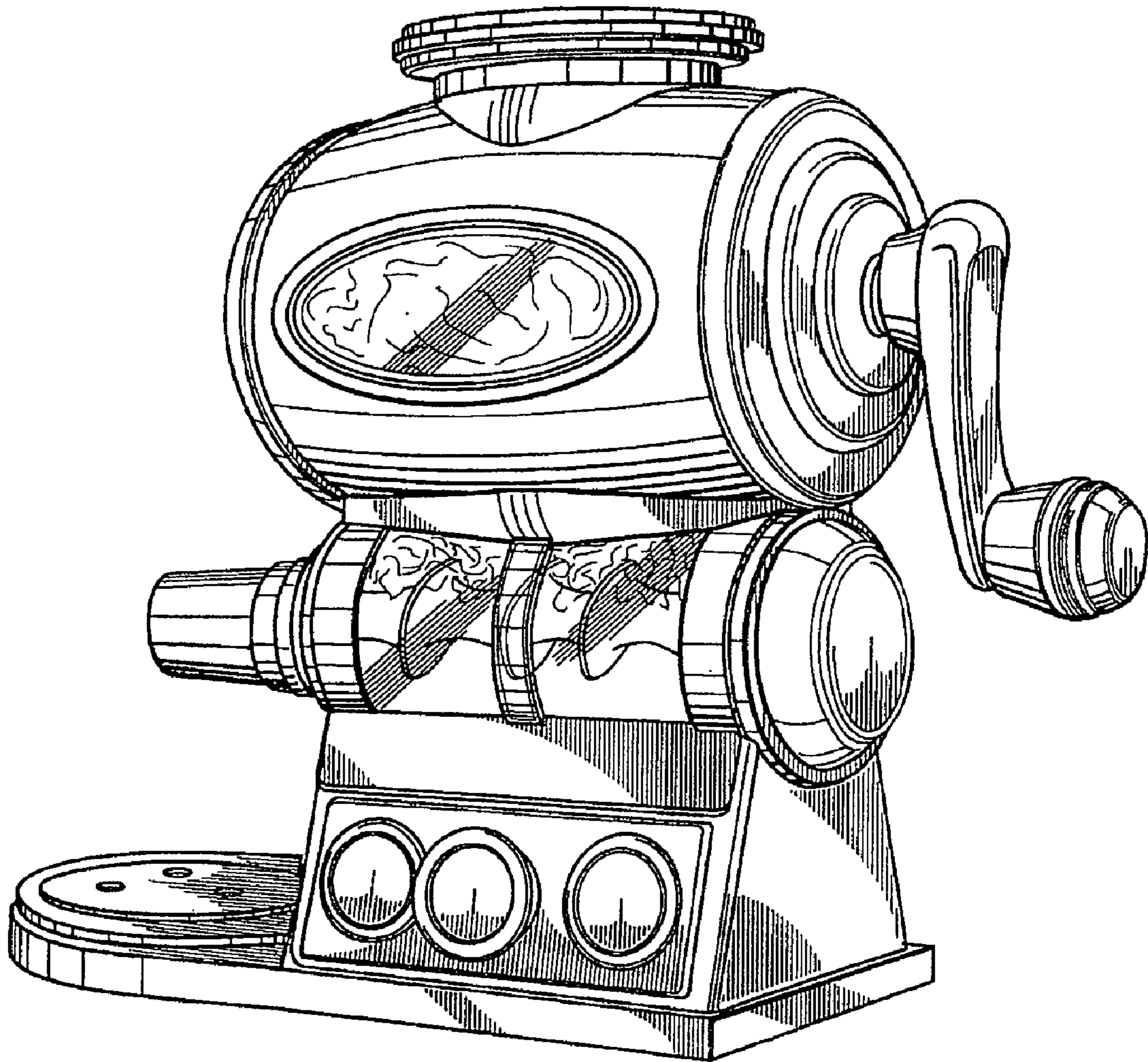


FIG. 1

FIG. 2

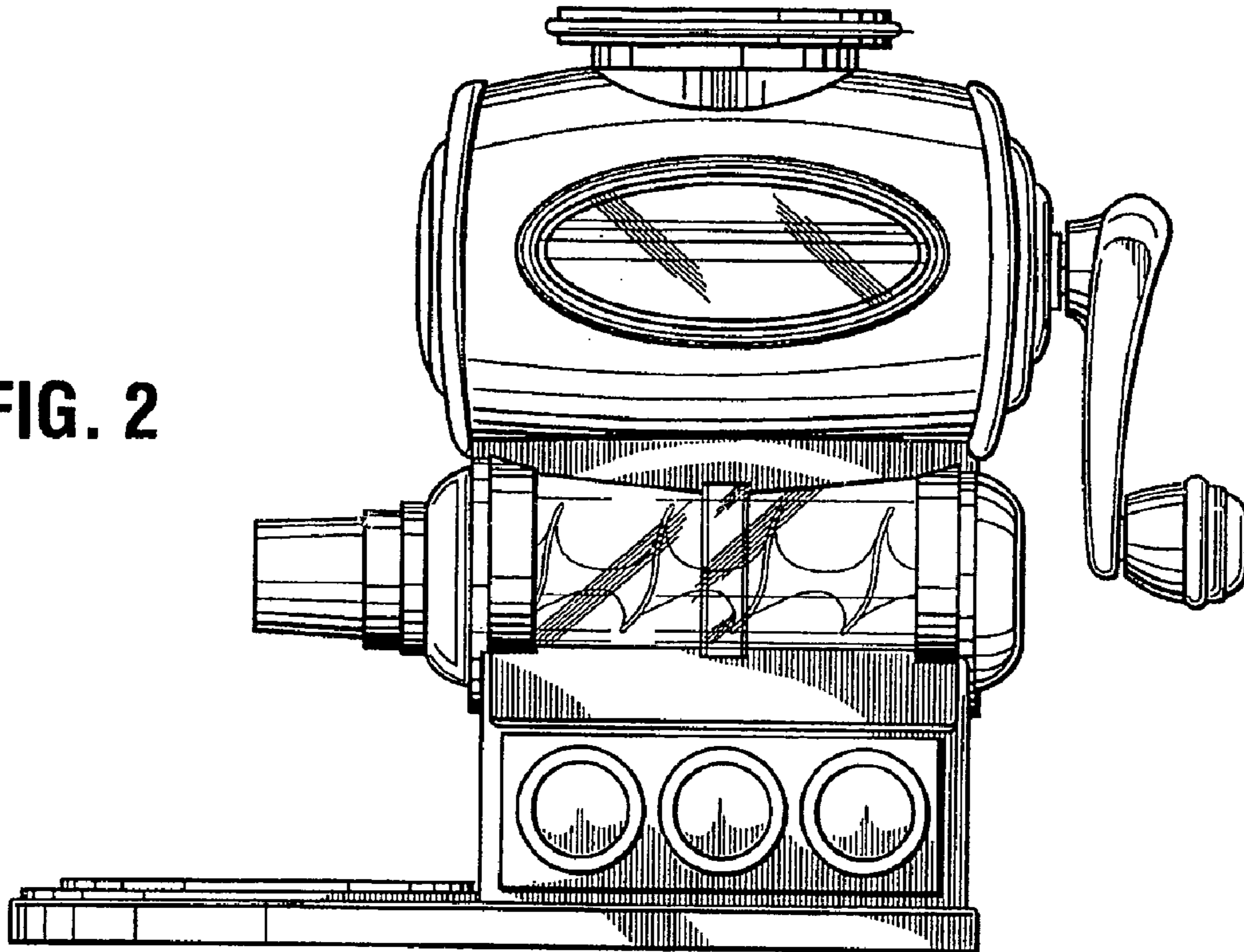
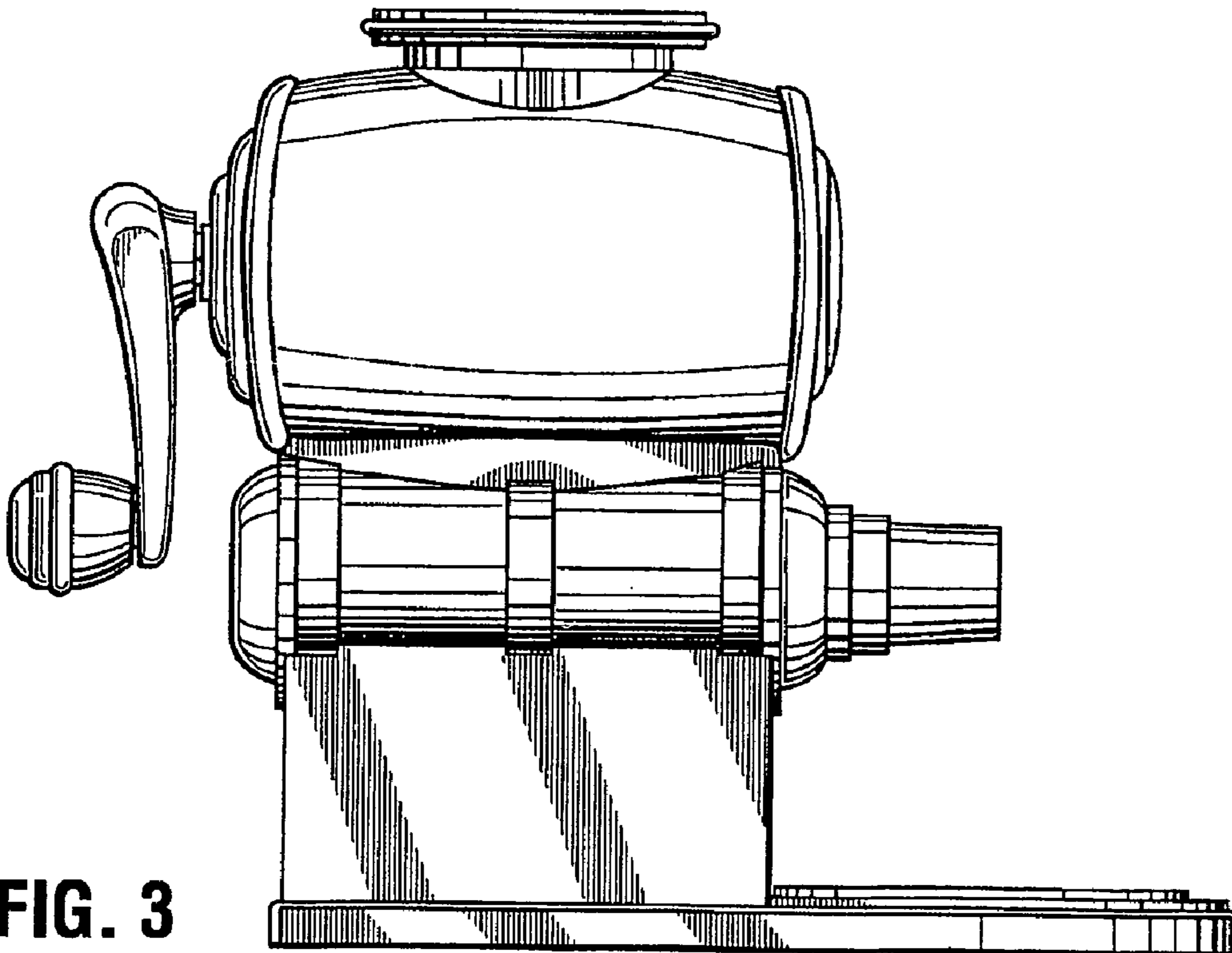


FIG. 3



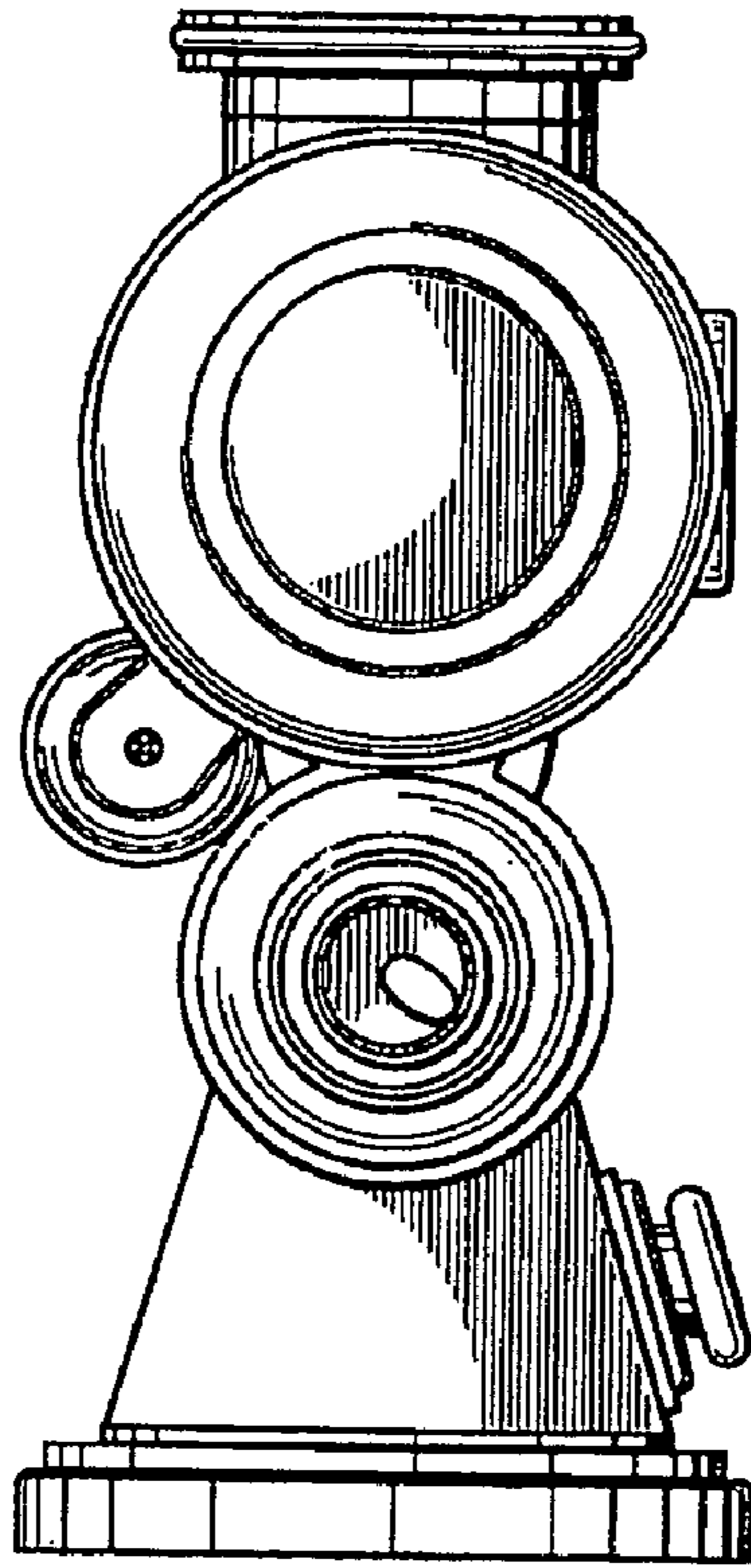


FIG. 4

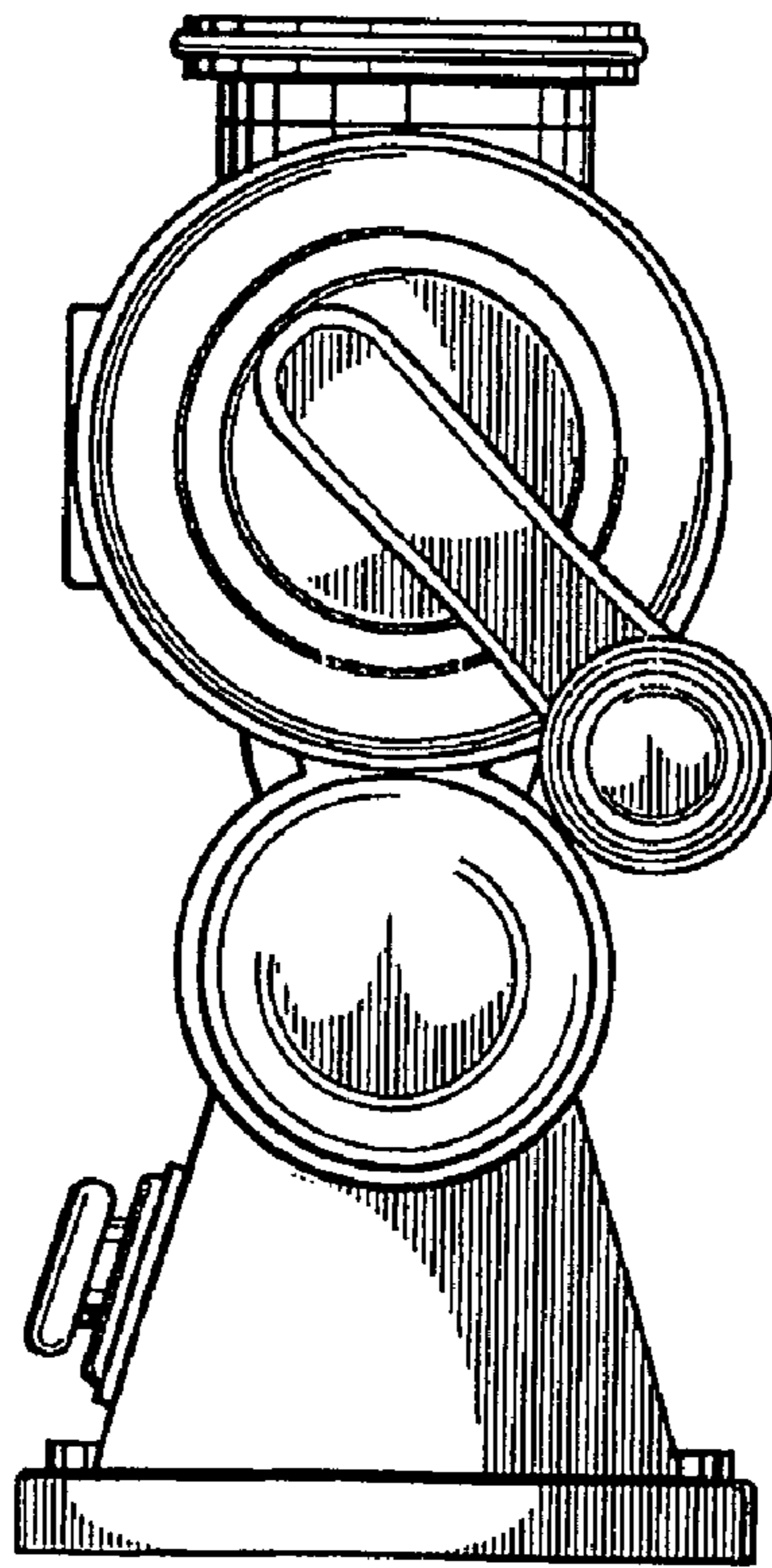


FIG. 5

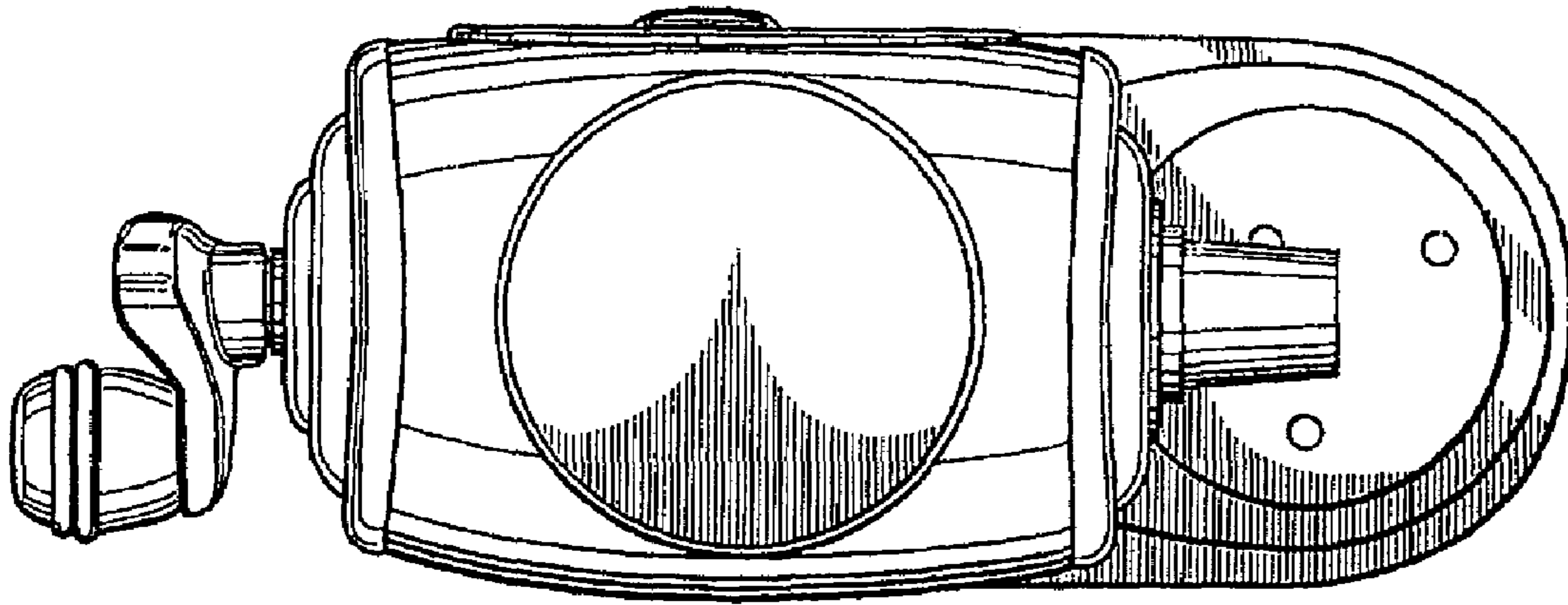


FIG. 6

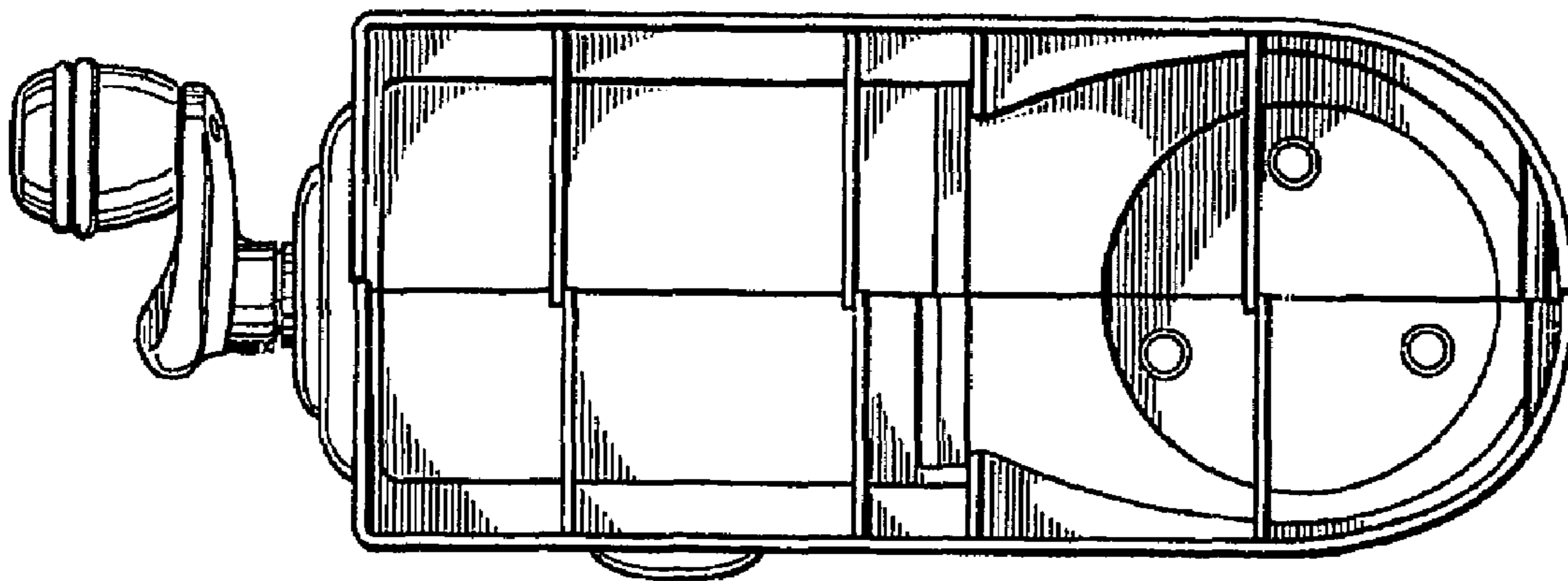


FIG. 7

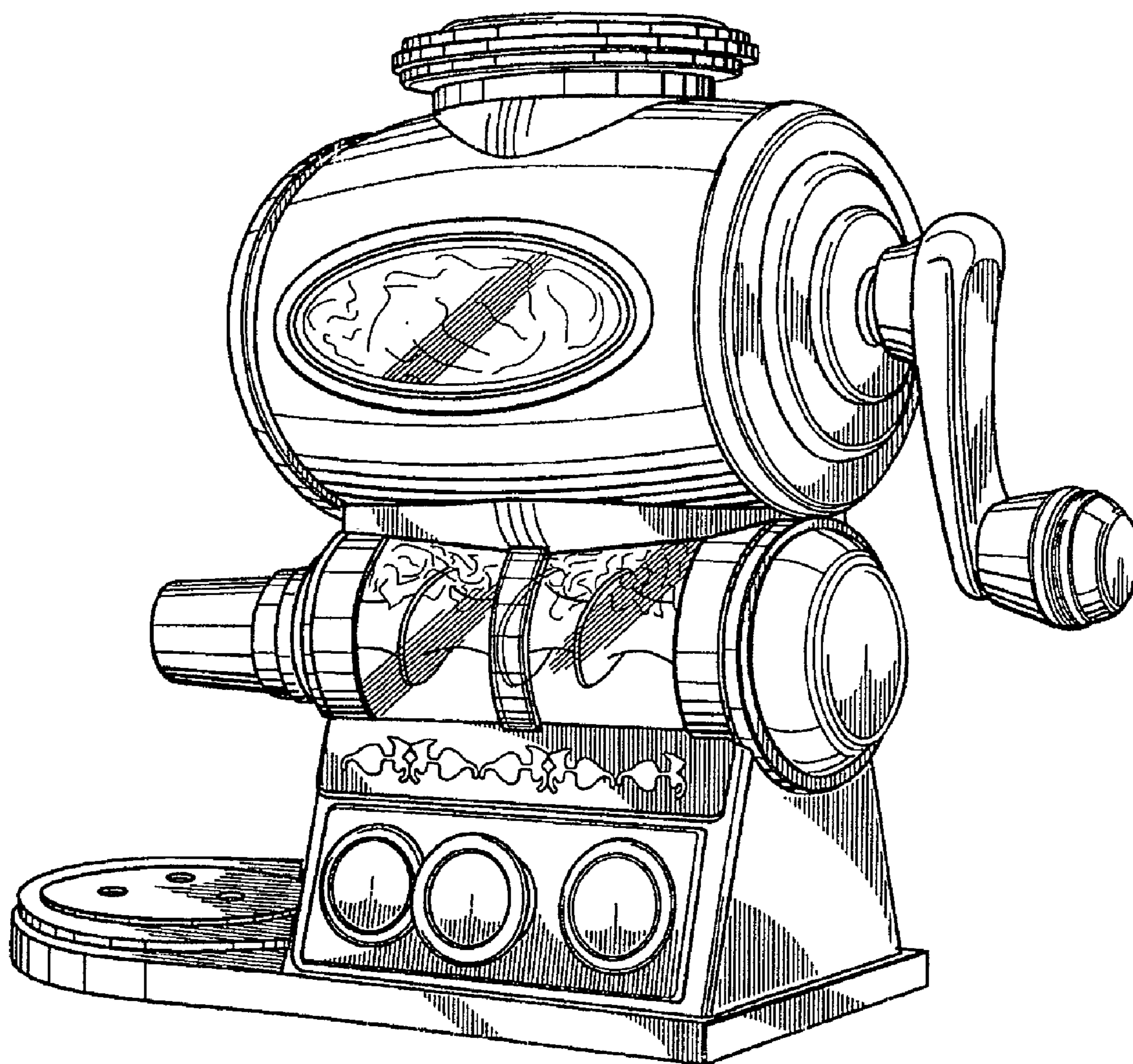


FIG. 8

FIG. 9

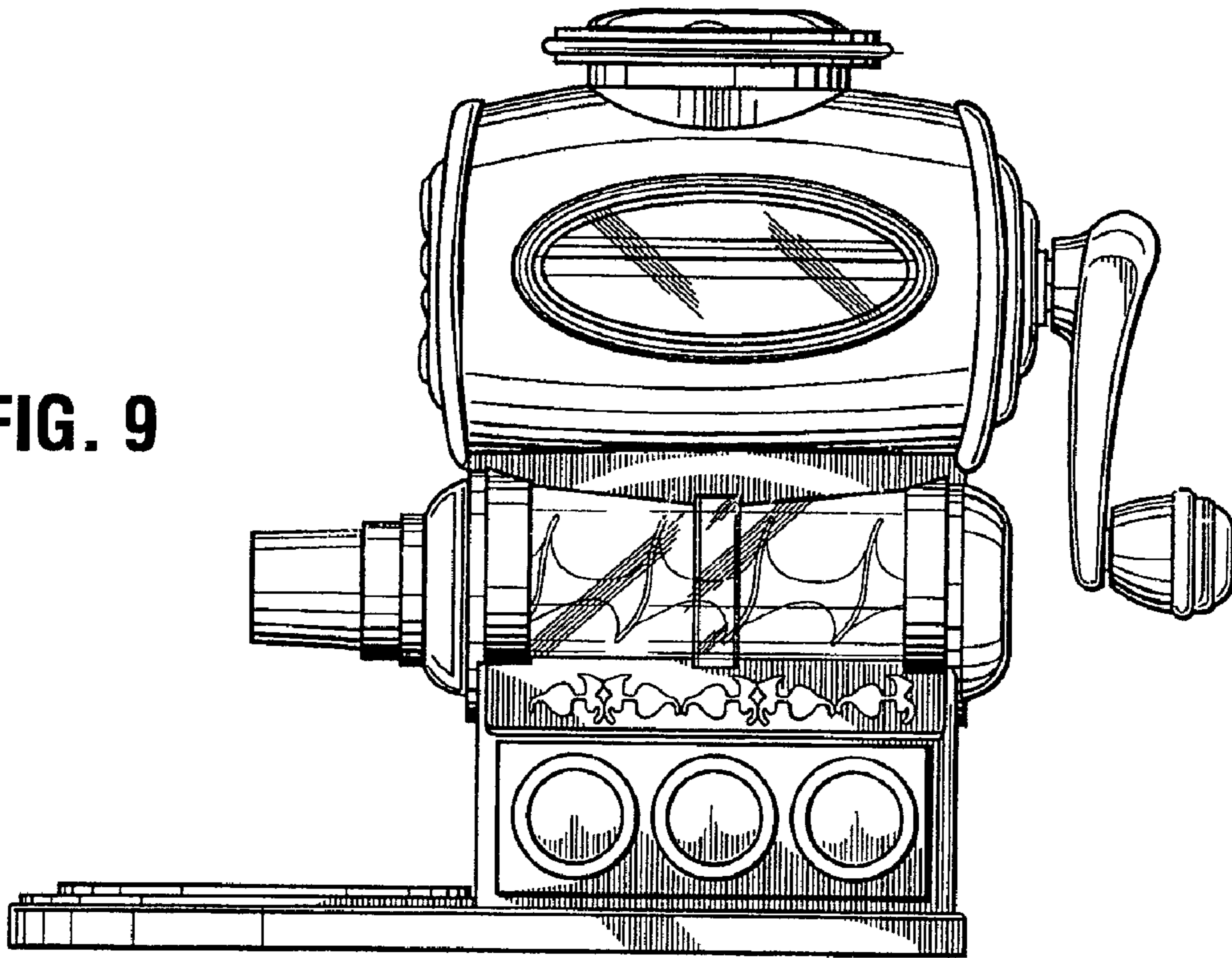
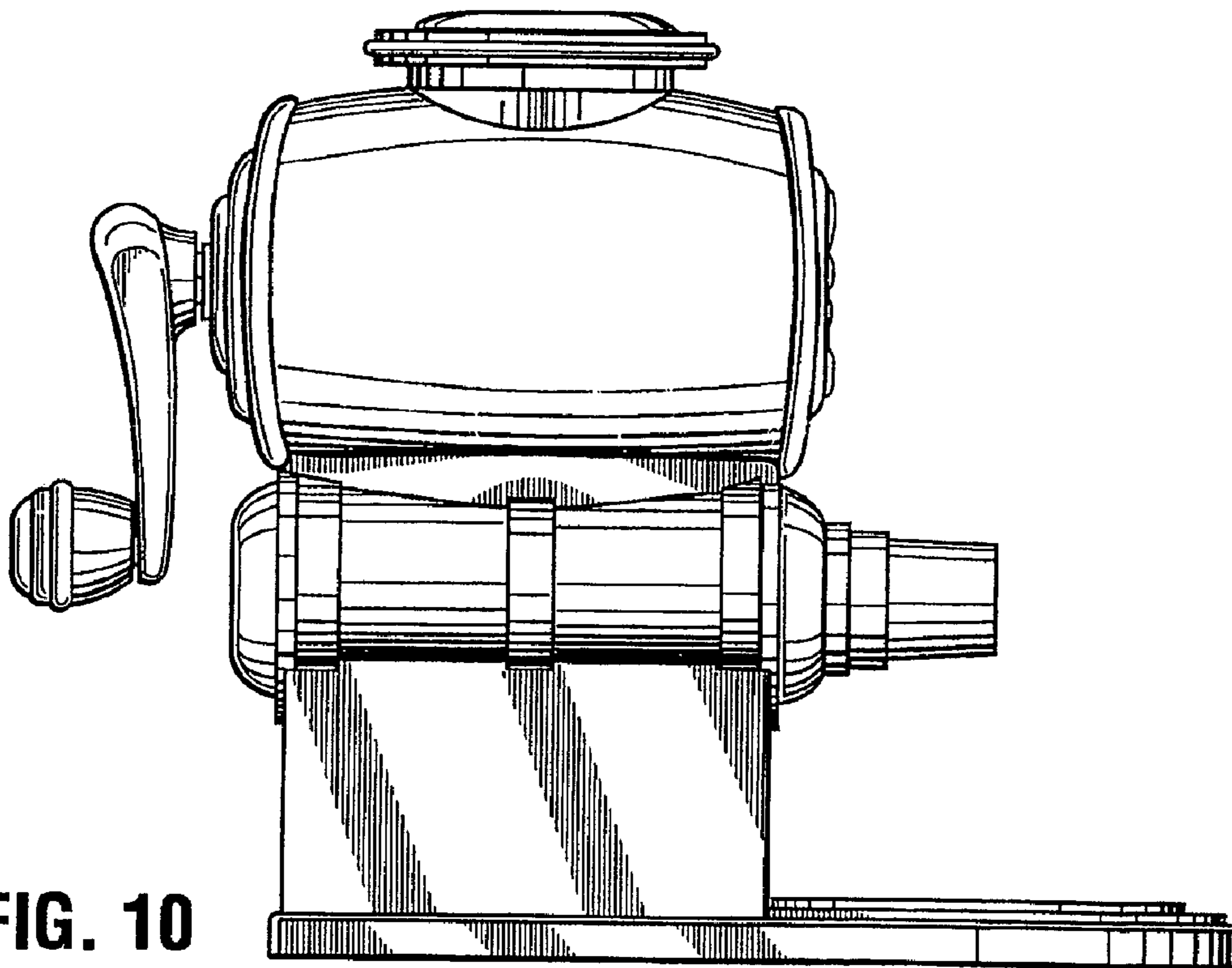


FIG. 10



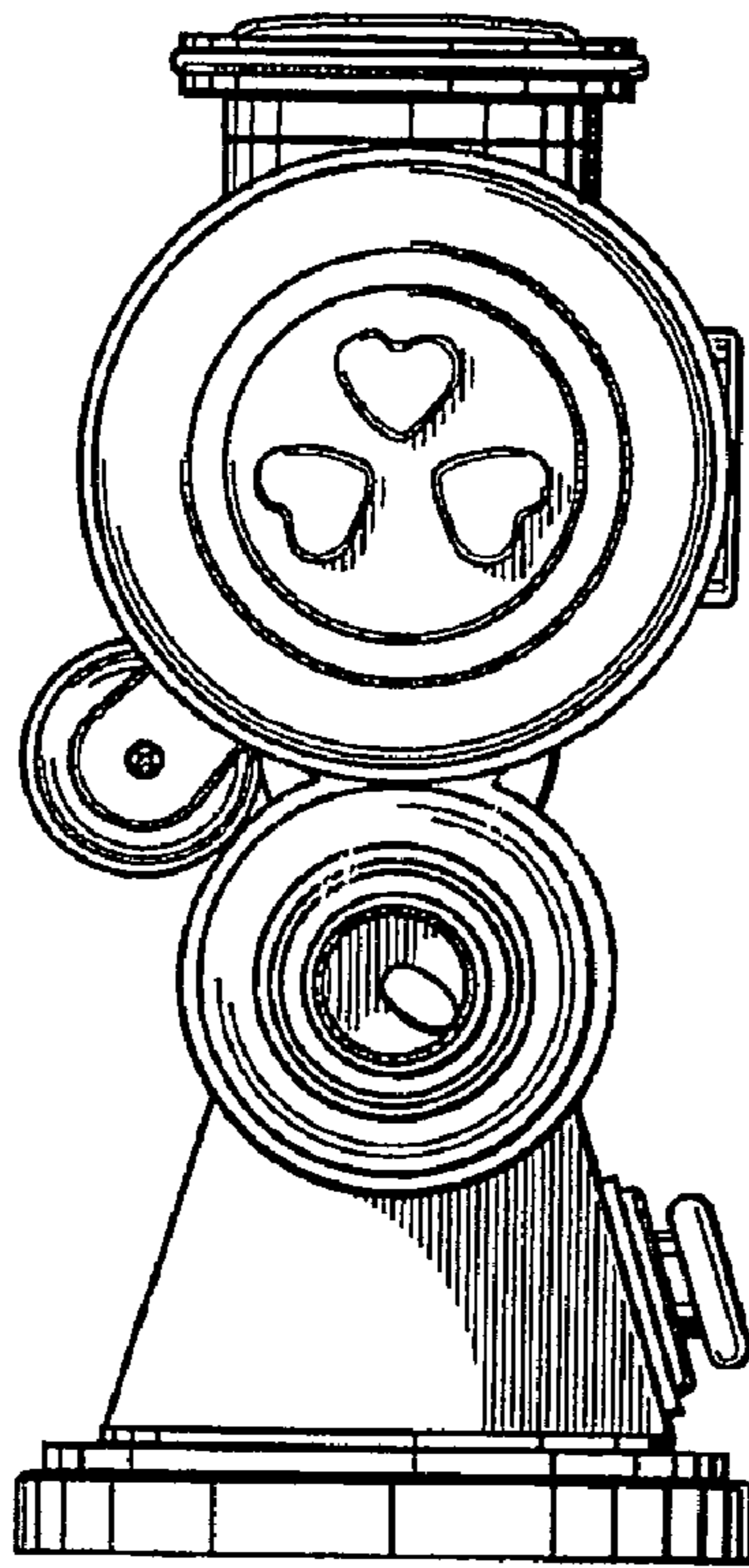


FIG. 11

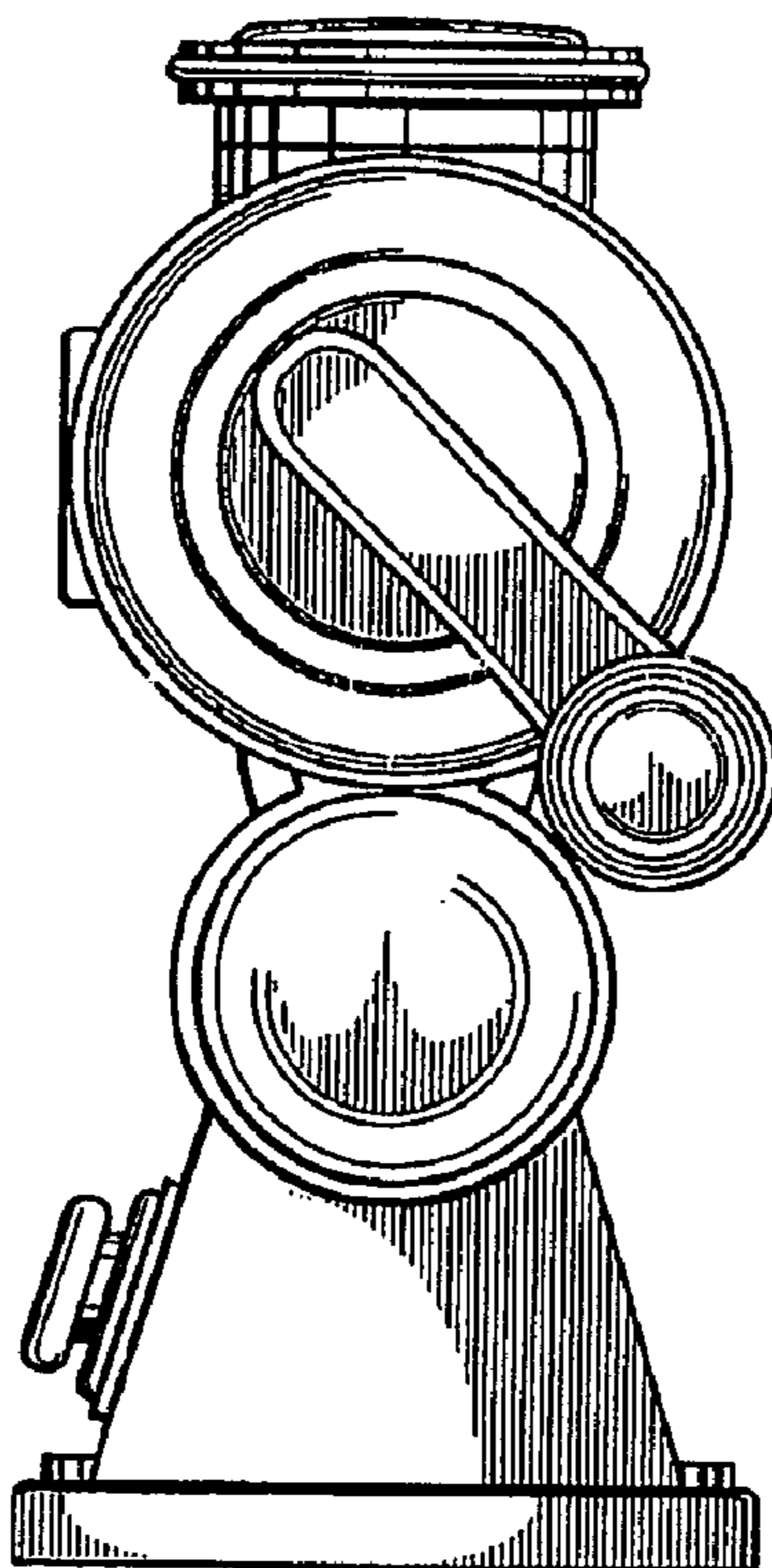


FIG. 12

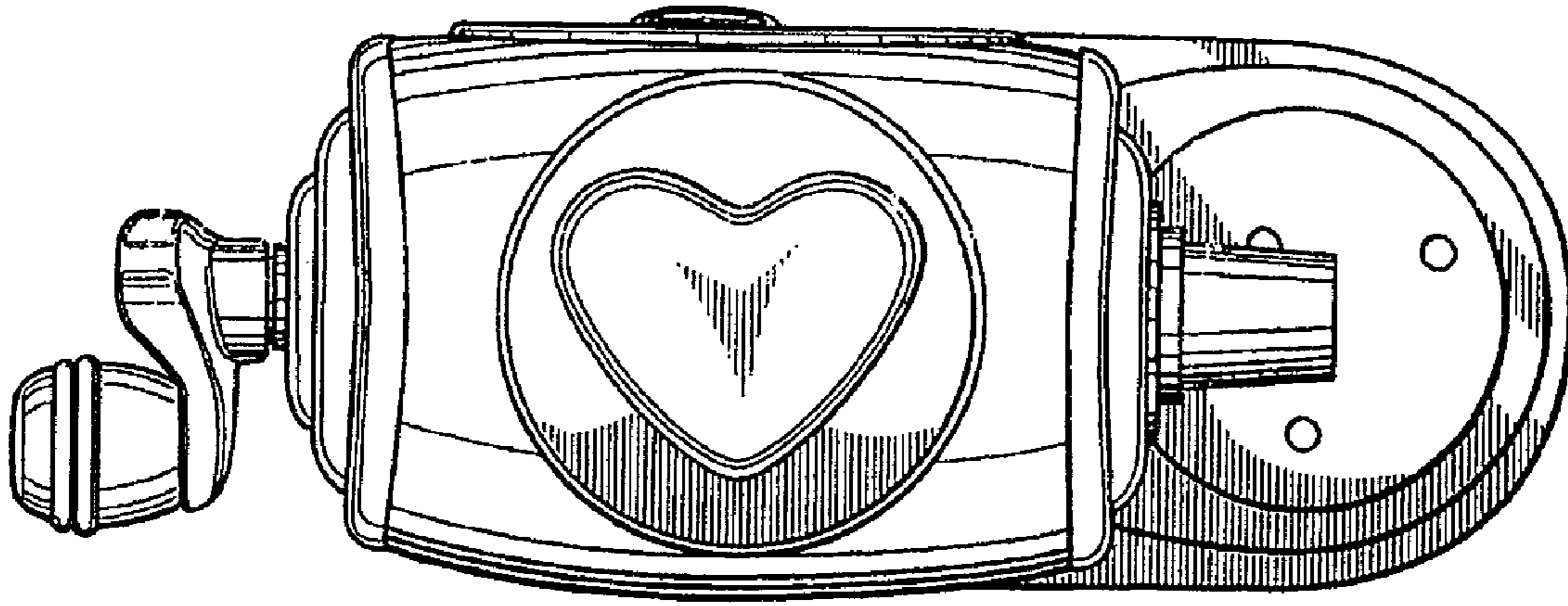


FIG. 13

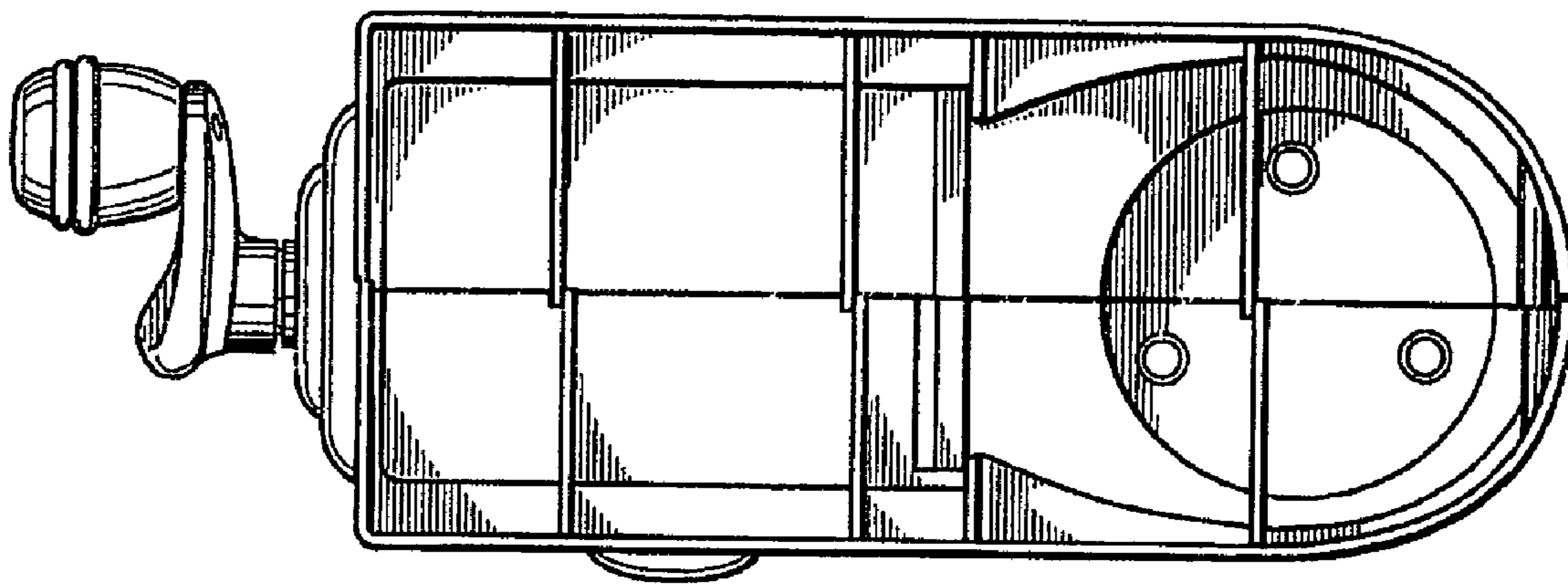


FIG. 14