



US00D549255S

(12) **United States Design Patent**
Axinte et al.

(10) **Patent No.: US D549,255 S**
(45) **Date of Patent: ** Aug. 21, 2007**

(54) **SOLDERING IRON TIP**

(76) Inventors: **Dragos Axinte**, 37 103rd Ave., #405, Bellevue, WA (US) 98005; **Grigore Axinte**, 12562 SE. 230th St., Kent, WA (US) 98031; **Jeff Campbell**, 13703 SE. Allen Rd., Bellevue, WA (US) 98006; **Russell Tallyen**, 251 Forrester Dr., Greenville, SC (US) 29607

(**) Term: **14 Years**

(21) Appl. No.: **29/217,022**

(22) Filed: **Nov. 8, 2004**

(51) **LOC (8) Cl. 15-09**

(52) **U.S. Cl. D15/144**

(58) **Field of Classification Search** D15/144, D15/144.1, 144.2; D10/144.2; D8/30; 228/51, 228/54, 55, 103; 29/525.01; 219/229
See application file for complete search history.

(56) **References Cited**

U.S. PATENT DOCUMENTS

2,472,296	A	*	6/1949	Hartnell	228/54
D271,741	S	*	12/1983	Riccio	D8/30
4,473,181	A	*	9/1984	Grabow, Jr.	228/51
5,683,603	A	*	11/1997	Fortune	219/229
6,646,228	B2	*	11/2003	Axinte et al.	228/51

* cited by examiner

Primary Examiner—Antoine D. Davis

Assistant Examiner—Patricia Palasik

(74) *Attorney, Agent, or Firm*—Perkins Coie LLP

(57) **CLAIM**

The ornamental designs for a soldering iron tip, as shown and described.

DESCRIPTION

FIG. 1 is a front perspective view of the first embodiment of a soldering iron tip constructed in accordance with the present invention;

FIG. 2 is a rear perspective view of soldering iron tip of FIG. 1;

FIG. 3 is a top view of the soldering iron tip of FIG. 1;

FIG. 4 is a rear elevational view of the soldering iron tip of FIG. 1;

FIG. 5 is a side elevation view of the soldering iron tip of FIG. 1, the side opposite that of FIG. 5 being substantially identical;

FIG. 6 is a front elevational view of the soldering iron tip of FIG. 1;

FIG. 7 is a bottom view of the soldering iron tip of FIG. 1;

FIG. 8 is a front perspective view of the second embodiment of a soldering iron tip constructed in accordance with the present invention;

FIG. 9 is a rear perspective view of soldering iron tip of FIG. 8;

FIG. 10 is a top view of the soldering iron tip of FIG. 8;

FIG. 11 is a rear elevational view of the soldering iron tip of FIG. 8;

FIG. 12 is a side elevation view of the soldering iron tip of FIG. 8, the side opposite that of FIG. 12 being substantially identical;

FIG. 13 is a front elevational view of the soldering iron tip of FIG. 8;

FIG. 14 is a bottom view of the soldering iron tip of FIG. 8;

FIG. 15 is a front perspective view of the third embodiment of a soldering iron tip constructed in accordance with the present invention;

FIG. 16 is a rear perspective view of soldering iron tip of FIG. 15;

FIG. 17 is a top view of the soldering iron tip of FIG. 15;

FIG. 18 is a rear elevational view of the soldering iron tip of FIG. 15;

FIG. 19 is a side elevation view of the soldering iron tip of FIG. 15, the side opposite that of FIG. 19 being substantially identical;

FIG. 20 is a front elevational view of the soldering iron tip of FIG. 15;

FIG. 21 is a bottom view of the soldering iron tip of FIG. 15;

FIG. 22 is a front perspective view of the fourth embodiment of a soldering iron tip constructed in accordance with the present invention;

FIG. 23 is a rear perspective view of soldering iron tip of FIG. 22;

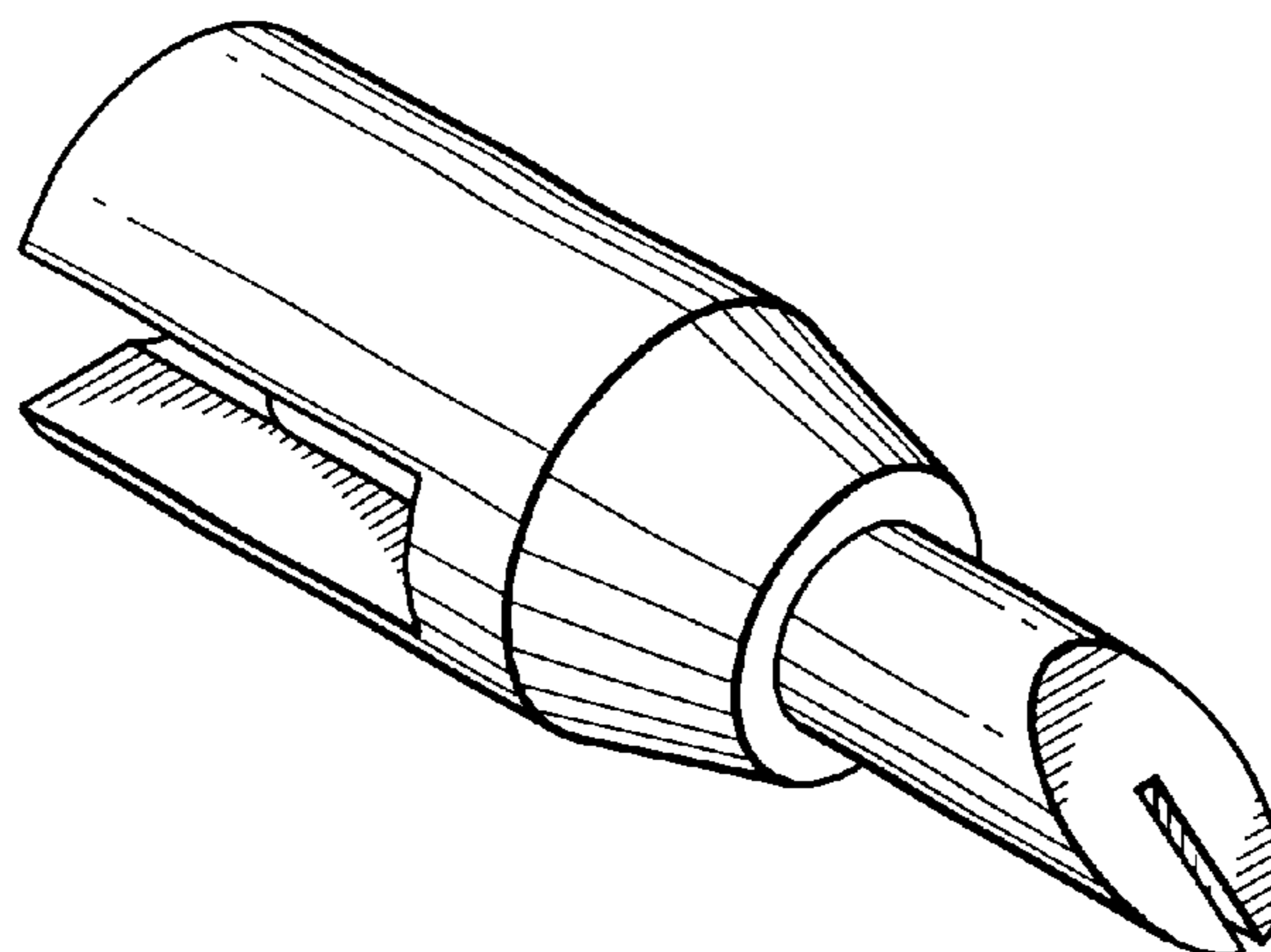


FIG. **24** is a top view of the soldering iron tip of FIG. **22**;
FIG. **25** is a rear elevational view of the soldering iron tip of
FIG. **22**;
FIG. **26** is a side elevation view of the soldering iron tip of
FIG. **22**, the side opposite that of FIG. **26** being substantially
identical;

FIG. **27** is a front elevational view of the soldering iron tip
of FIG. **22**; and,
FIG. **28** is a bottom view of the soldering iron tip of FIG. **22**.

1 Claim, 4 Drawing Sheets

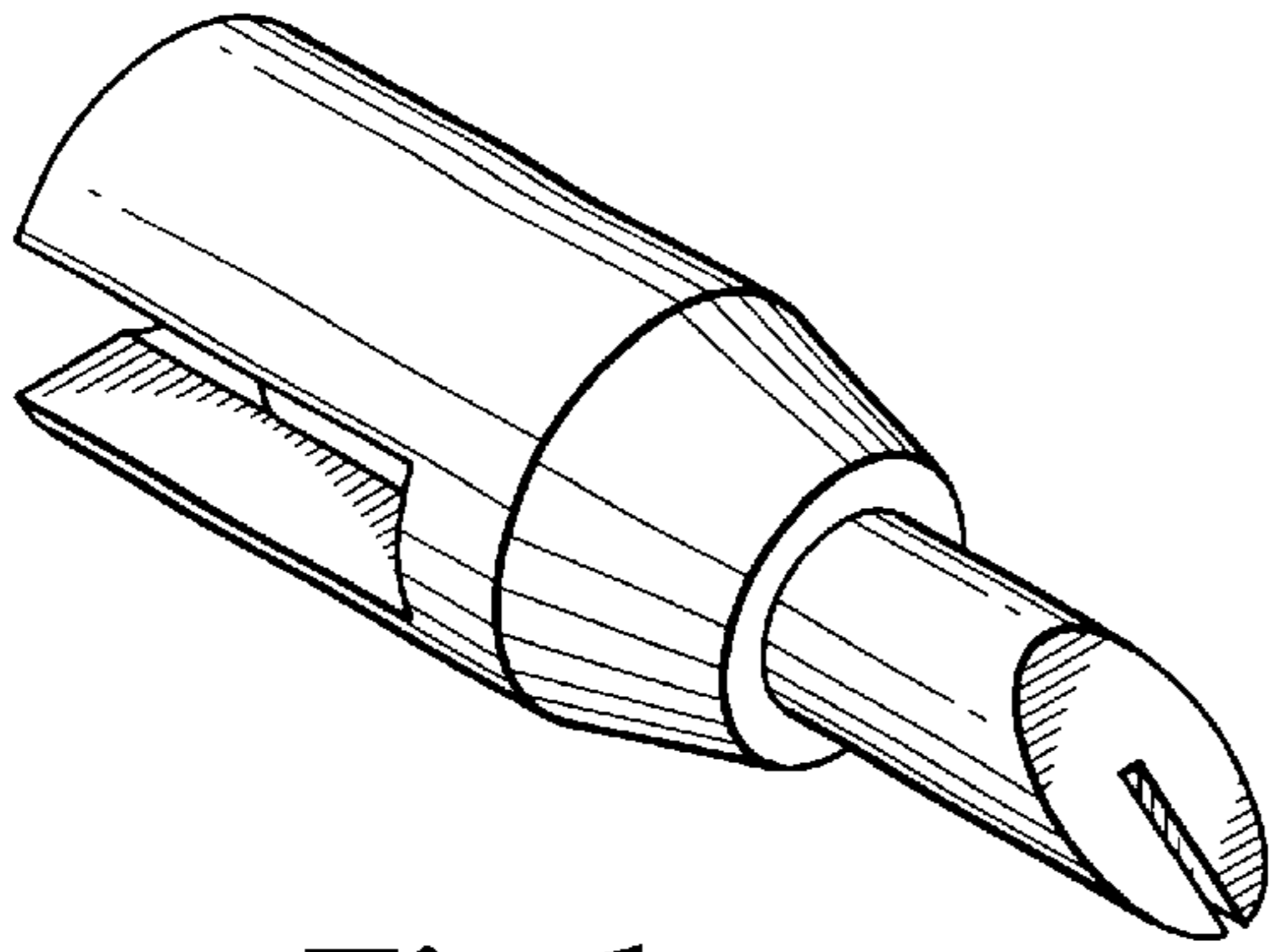


Fig. 1.

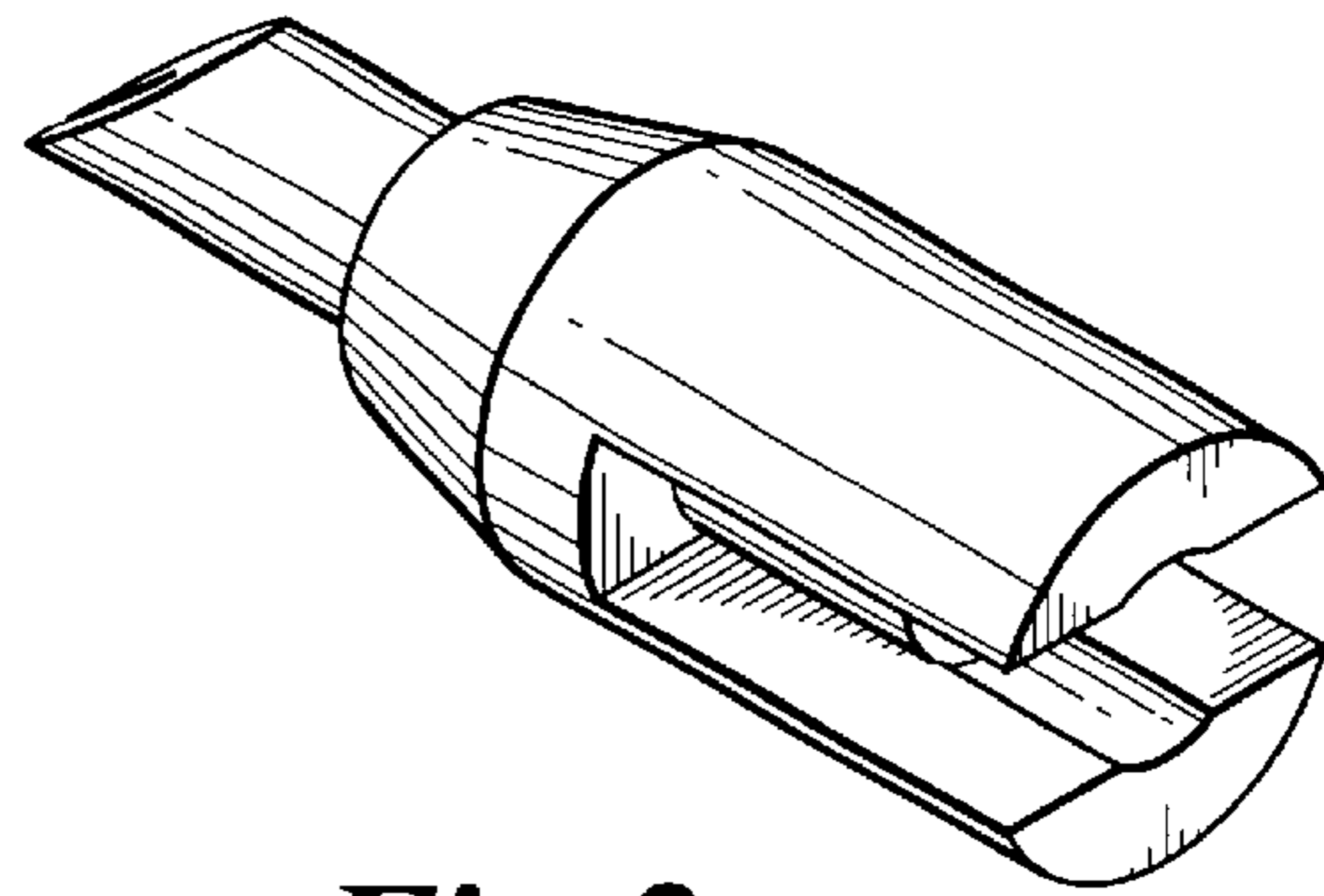


Fig. 2.

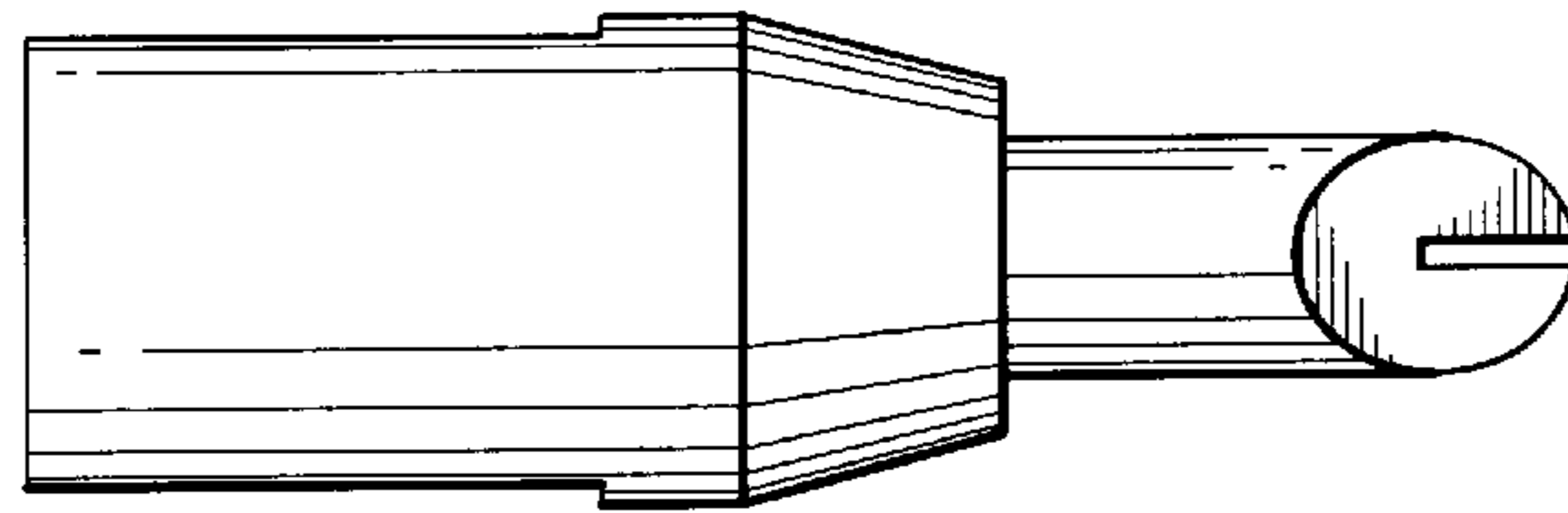


Fig. 3.

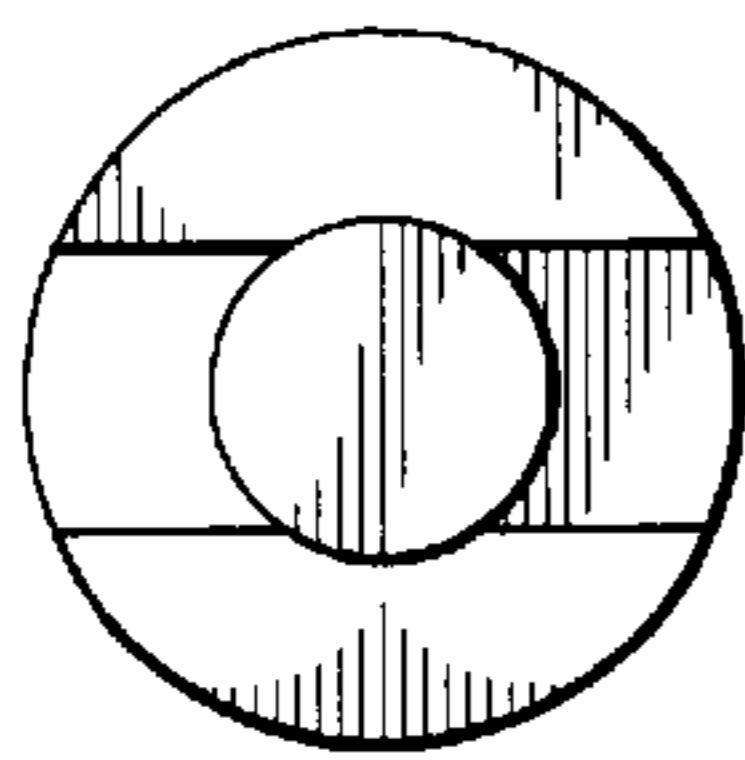


Fig. 4.

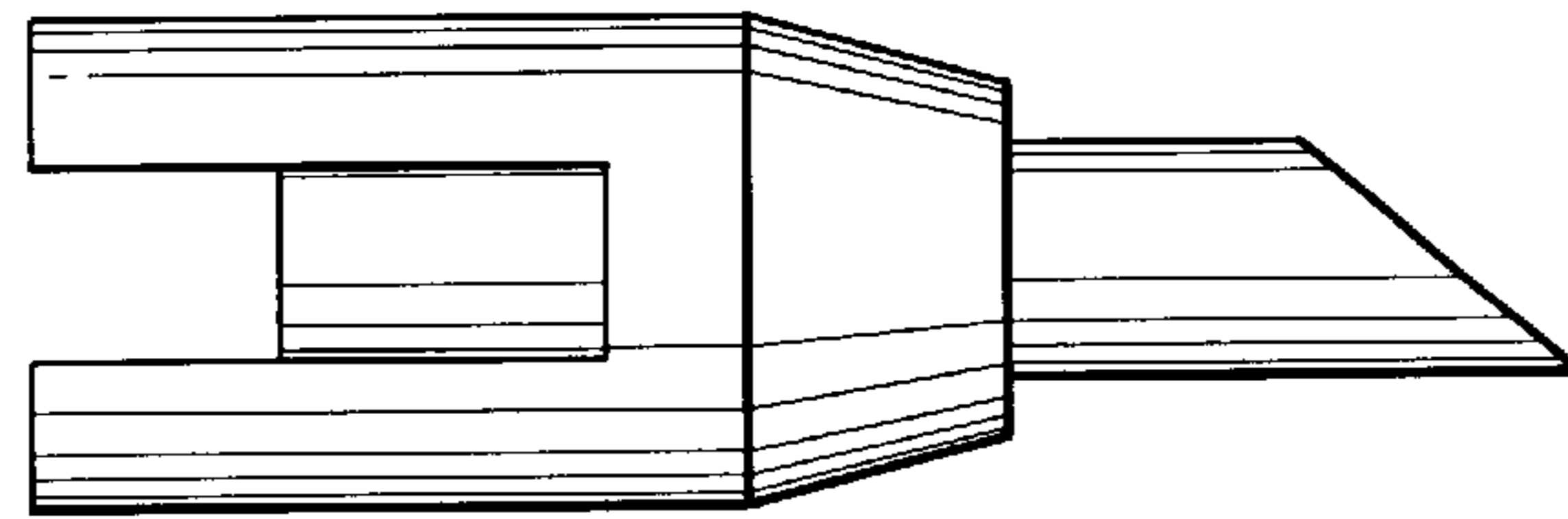


Fig. 5.

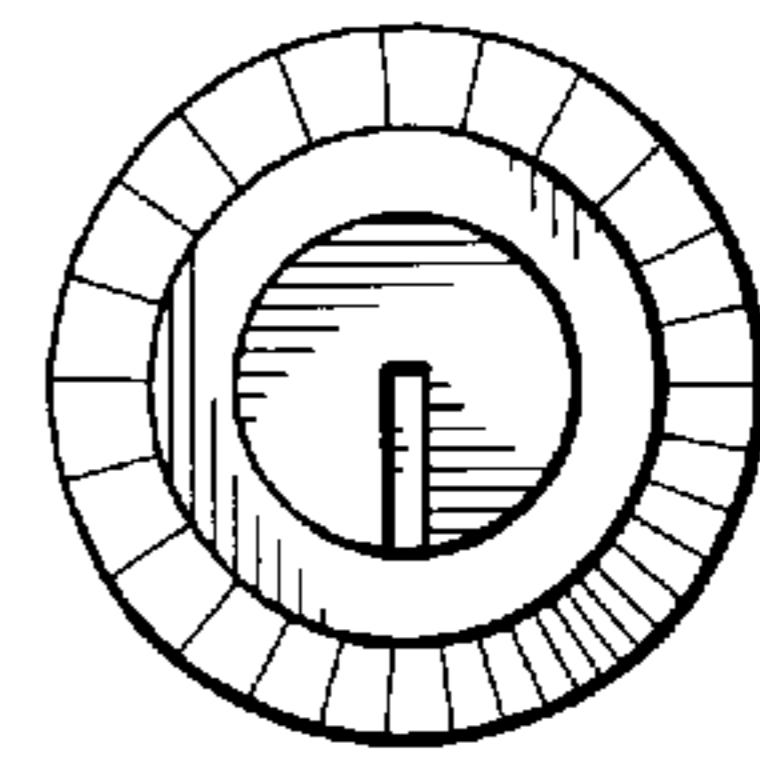


Fig. 6.

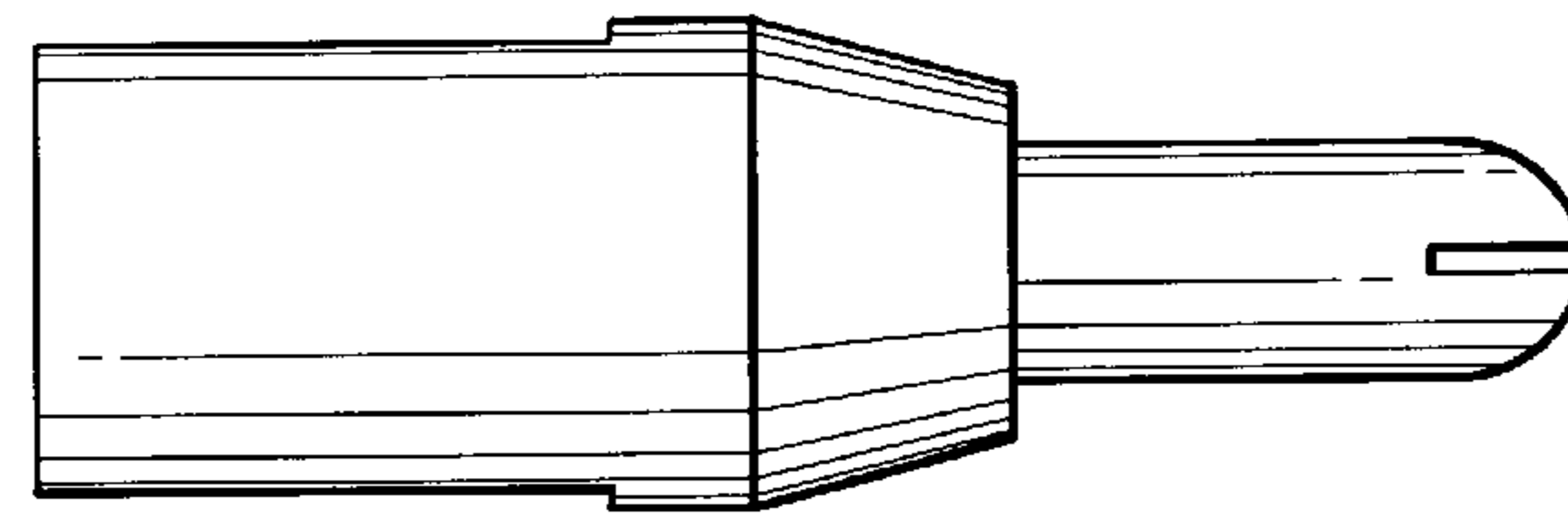


Fig. 7.

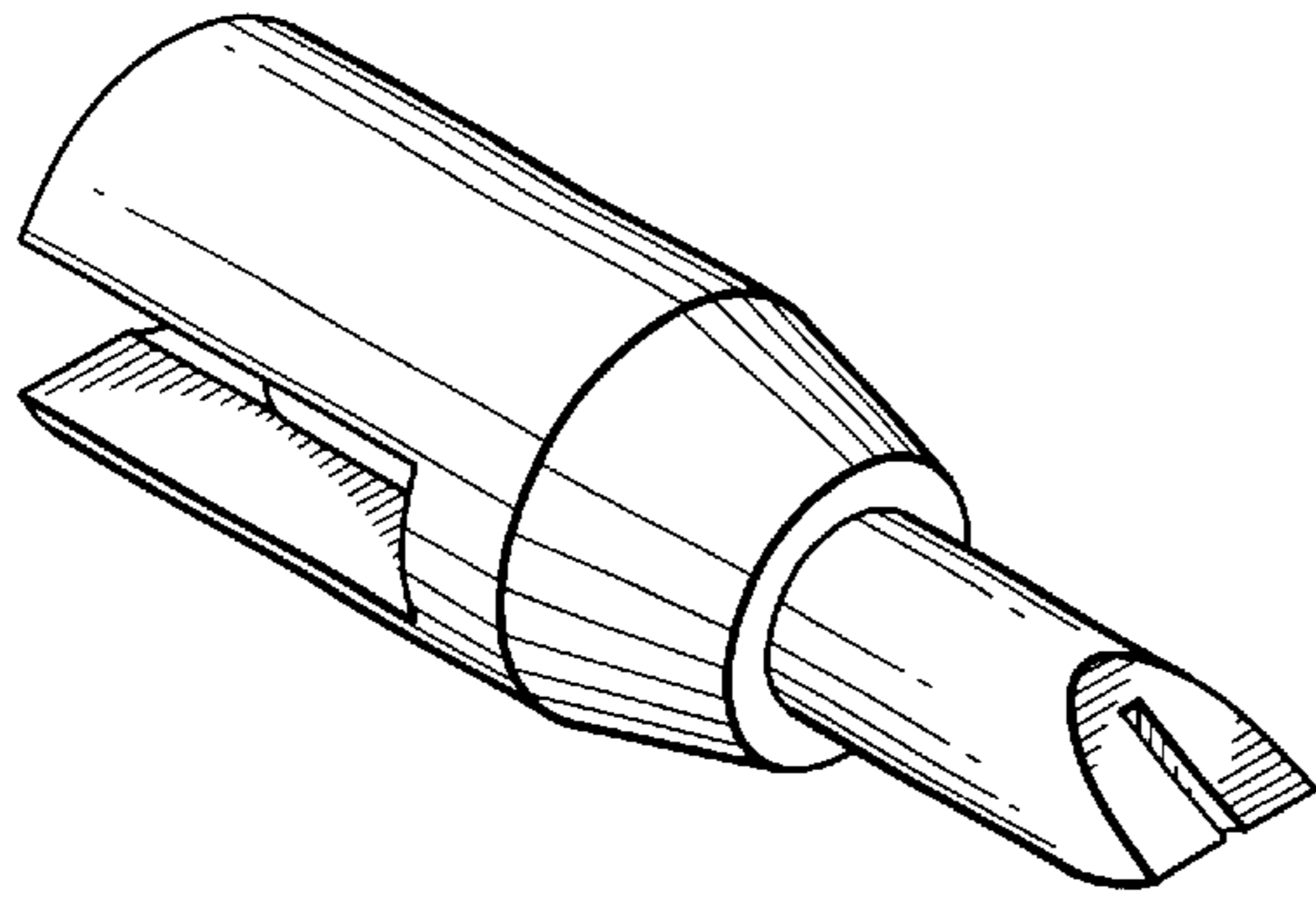


Fig. 8.

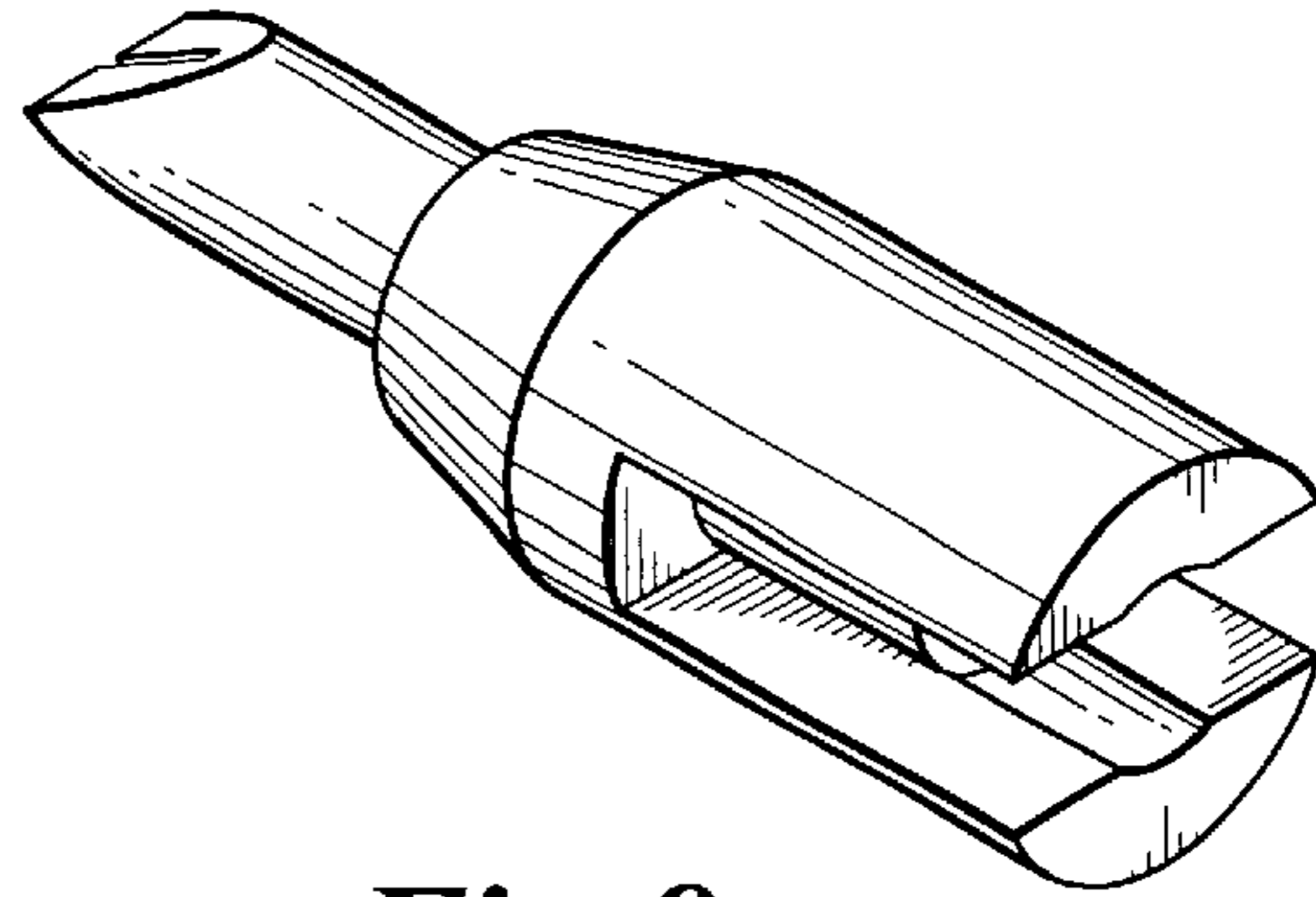


Fig. 9.

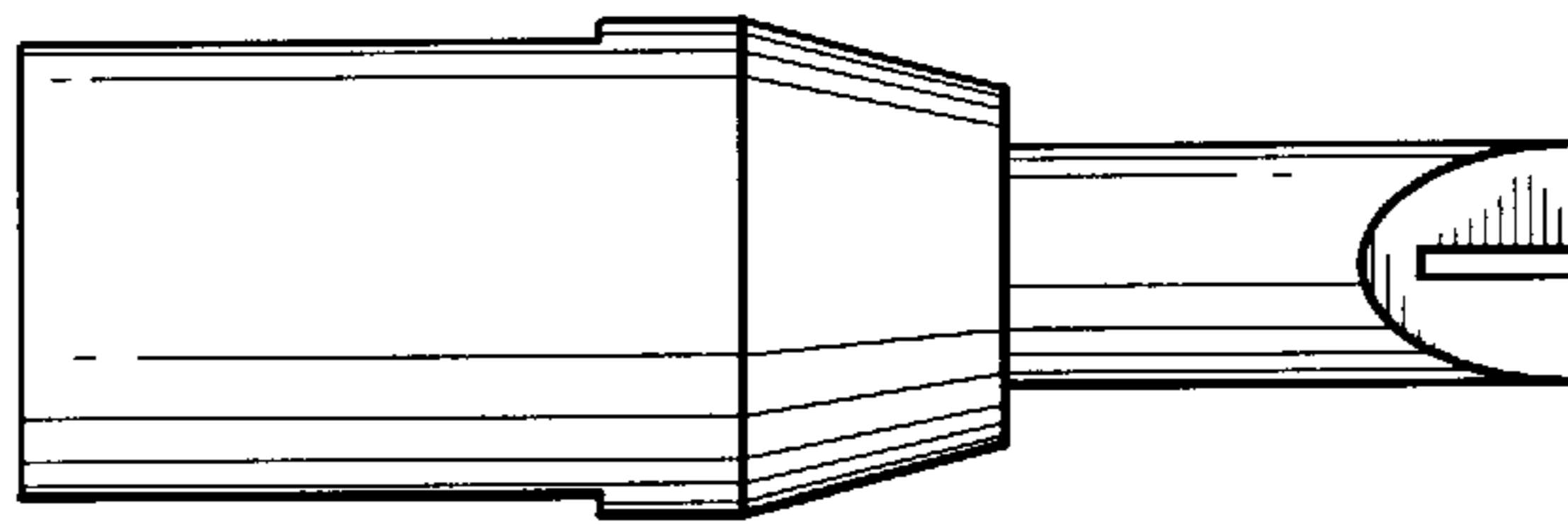


Fig. 10.

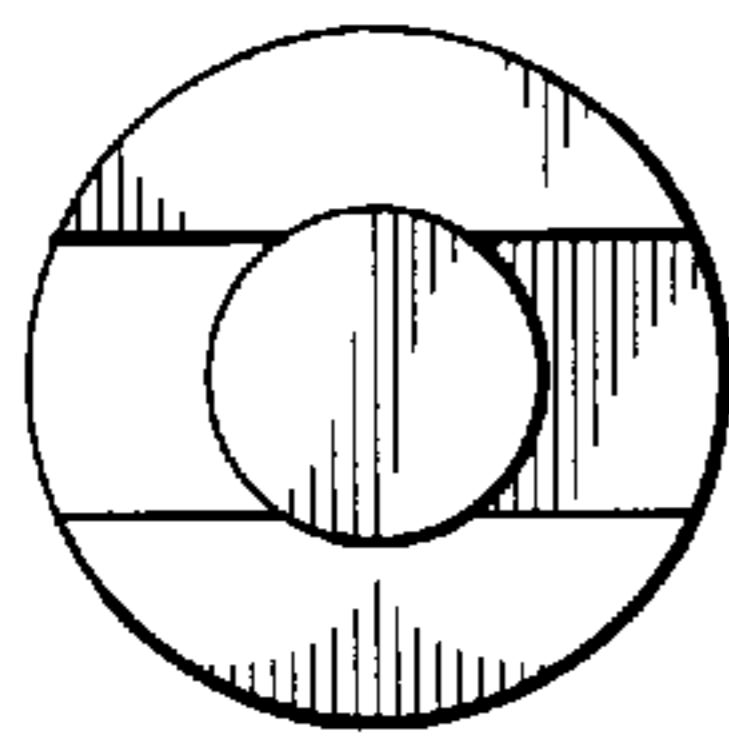


Fig. 11.

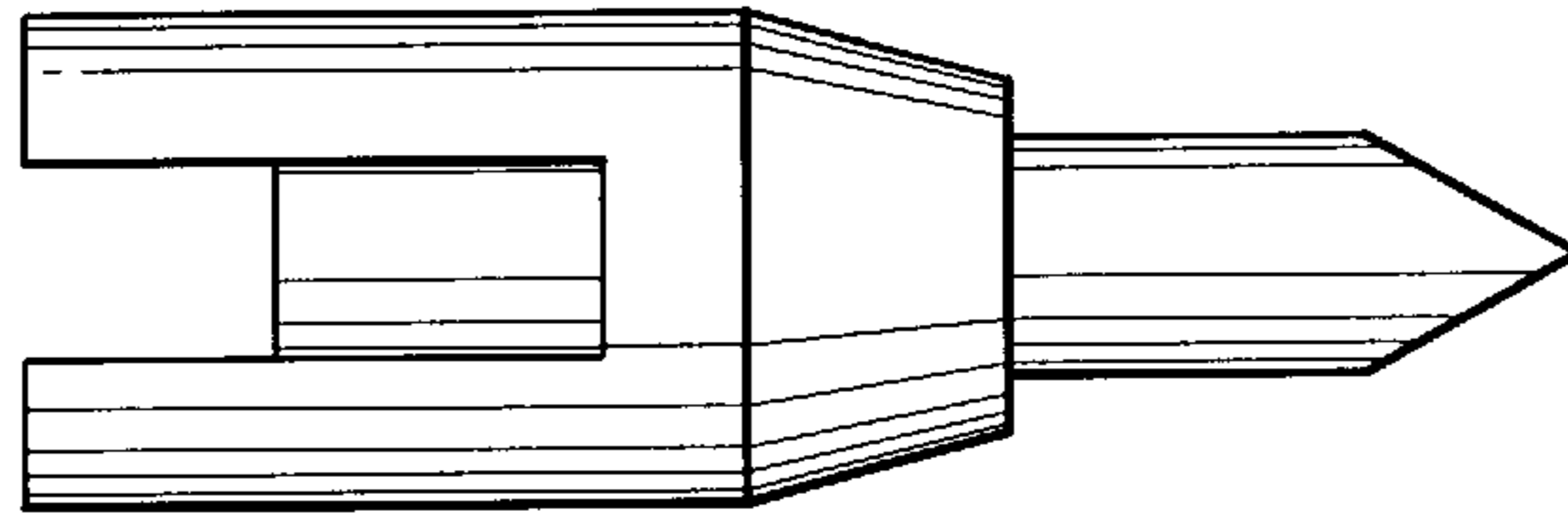


Fig. 12.

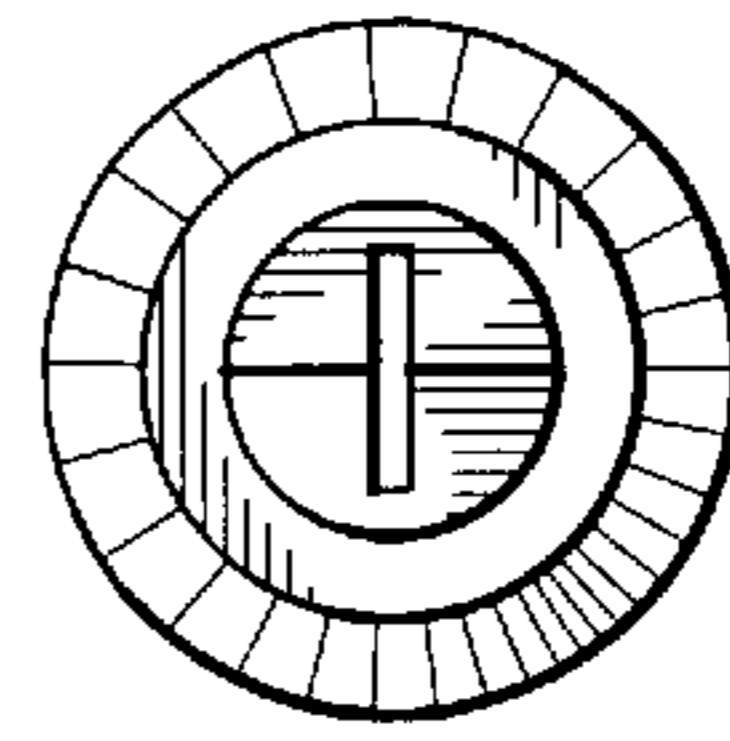


Fig. 13.

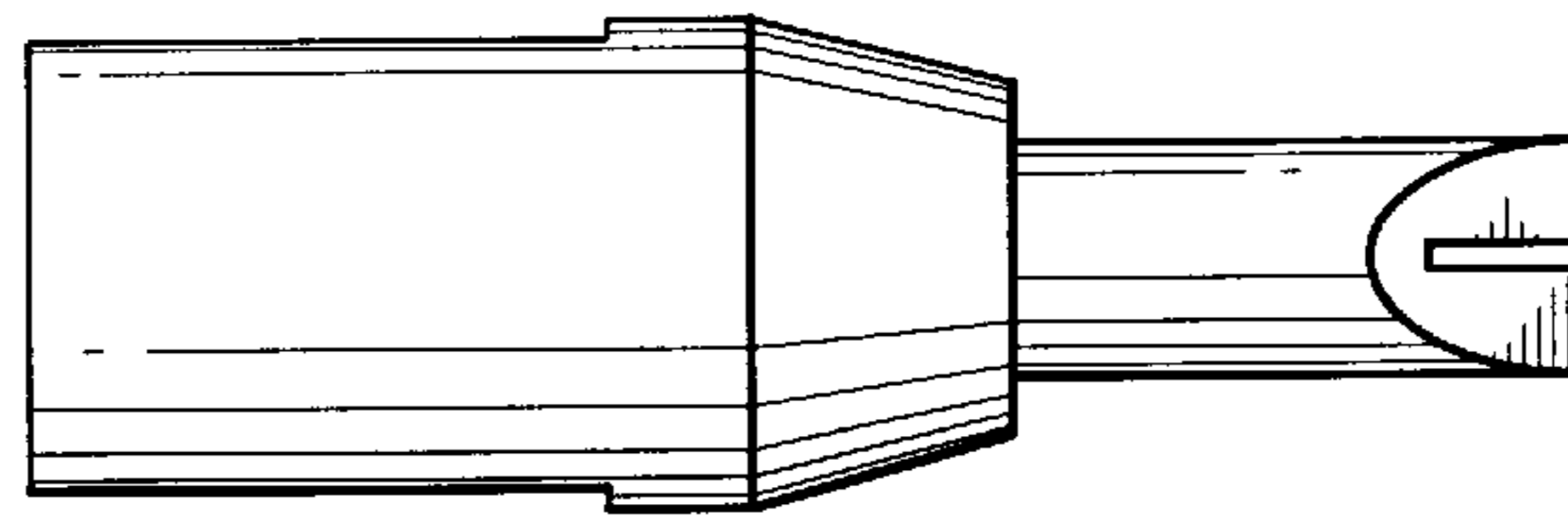


Fig. 14.

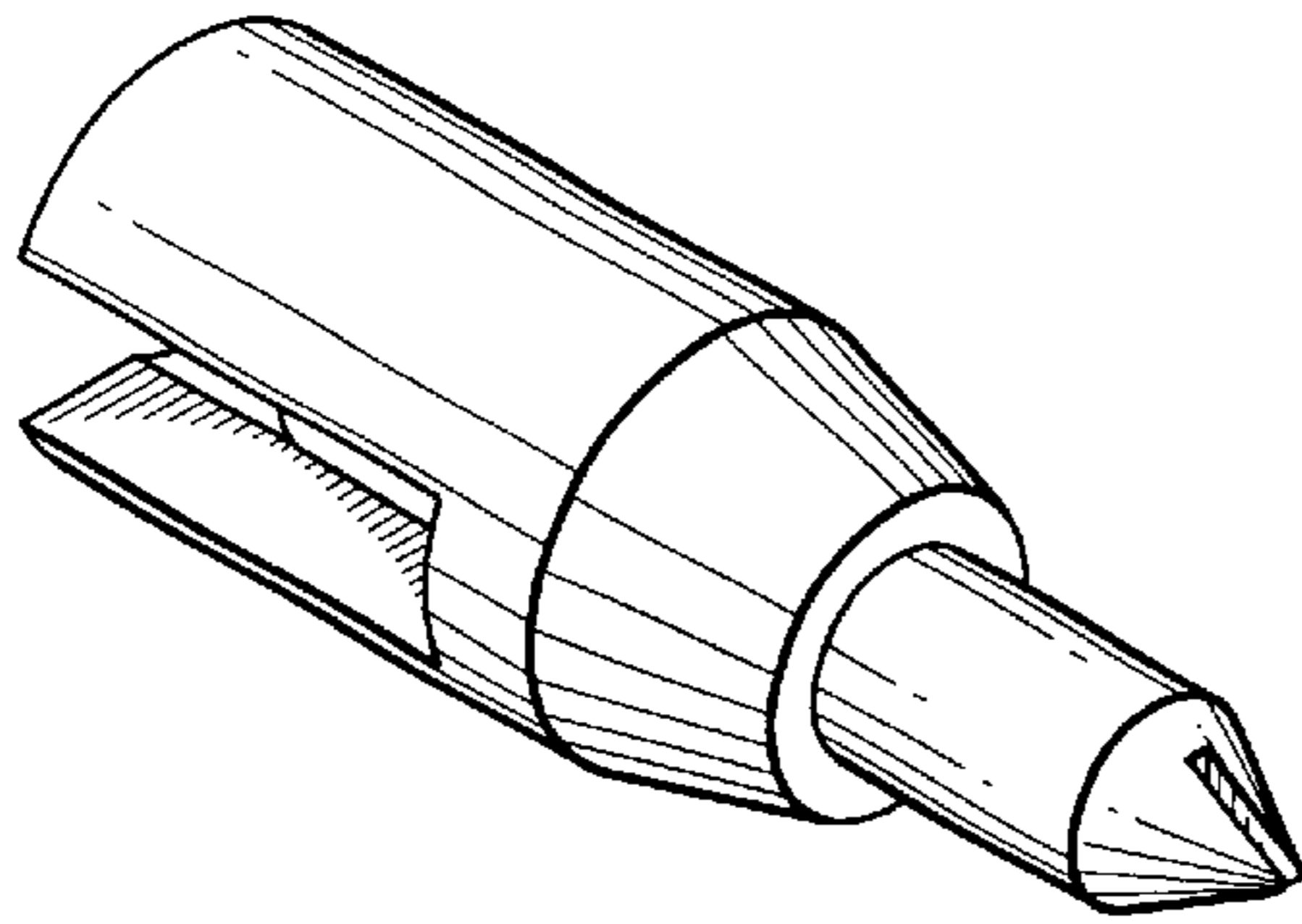


Fig.15.

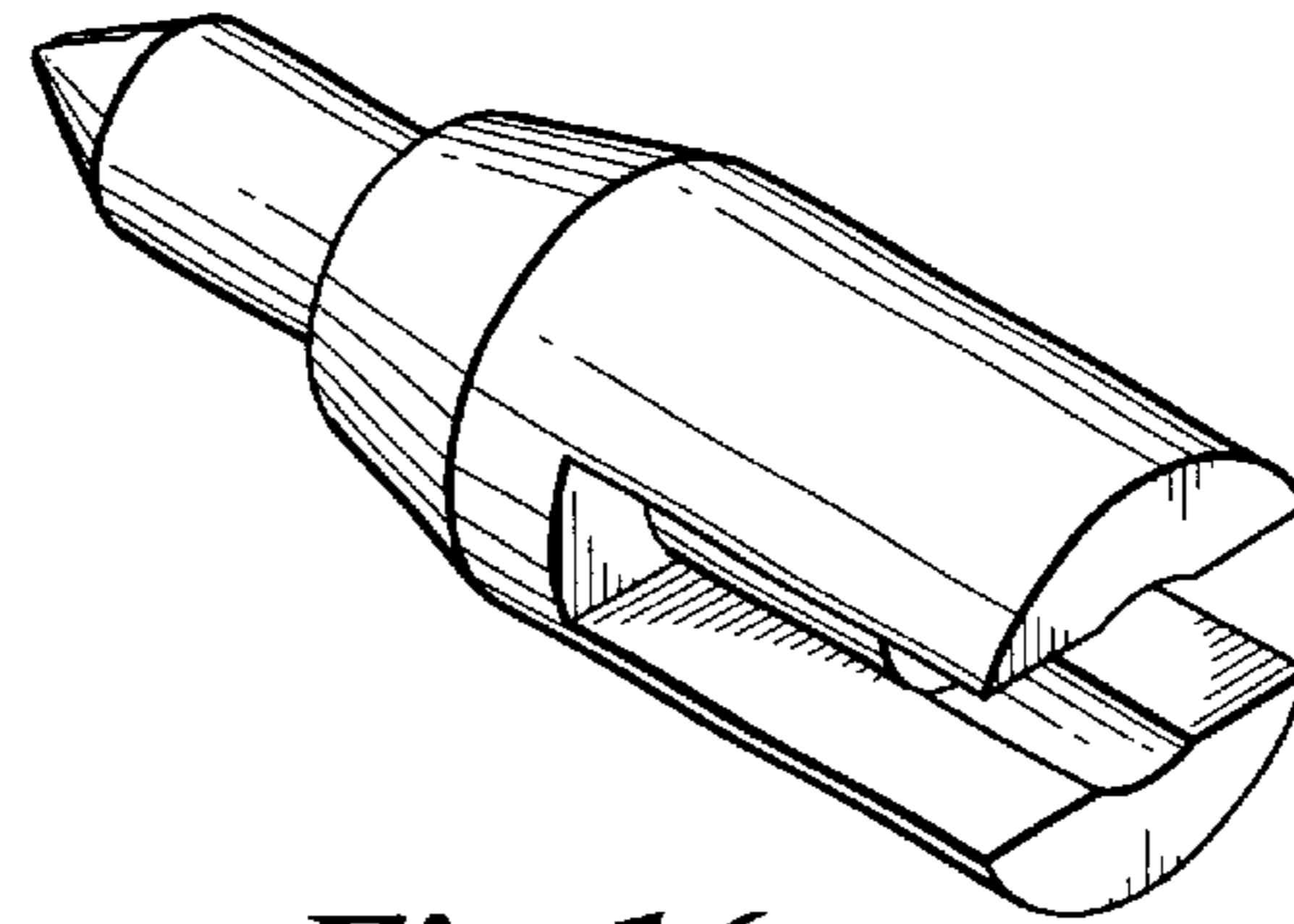


Fig.16.

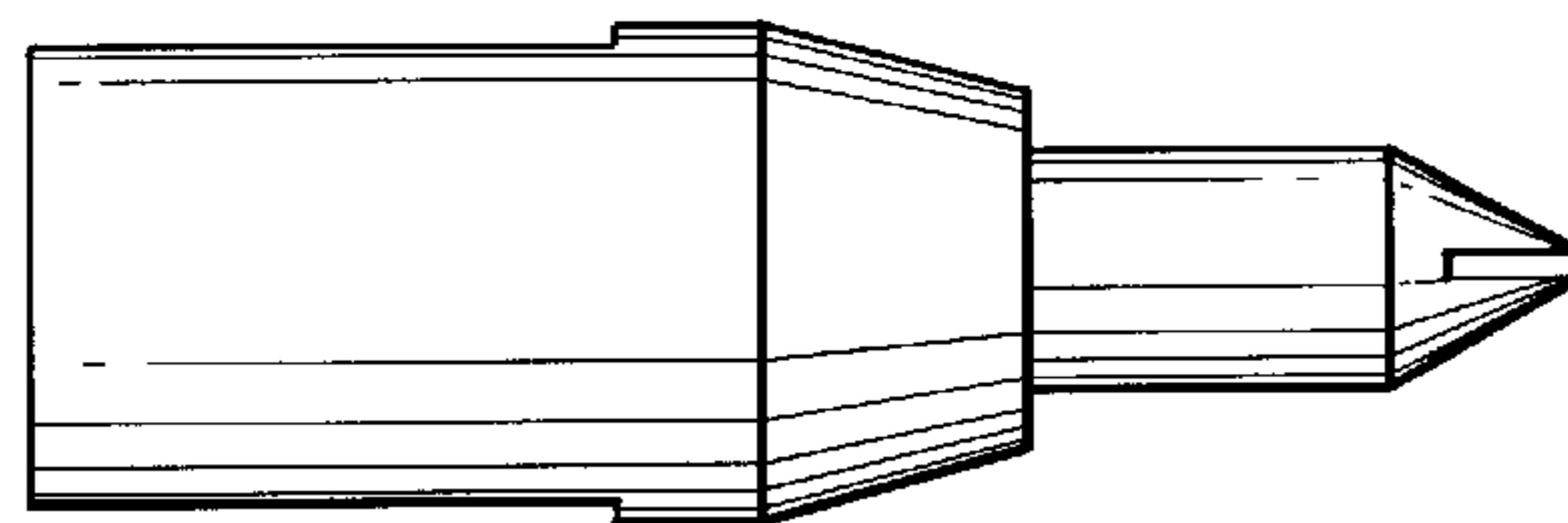


Fig.17.

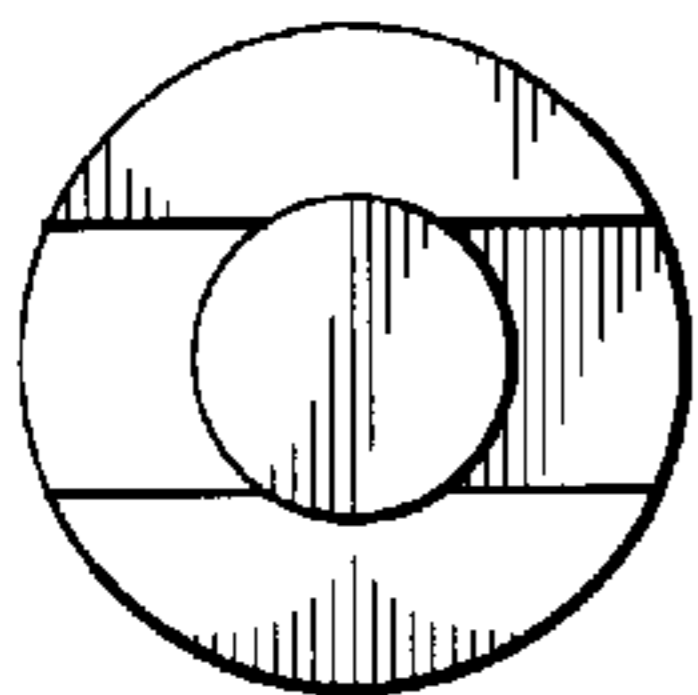


Fig.18.

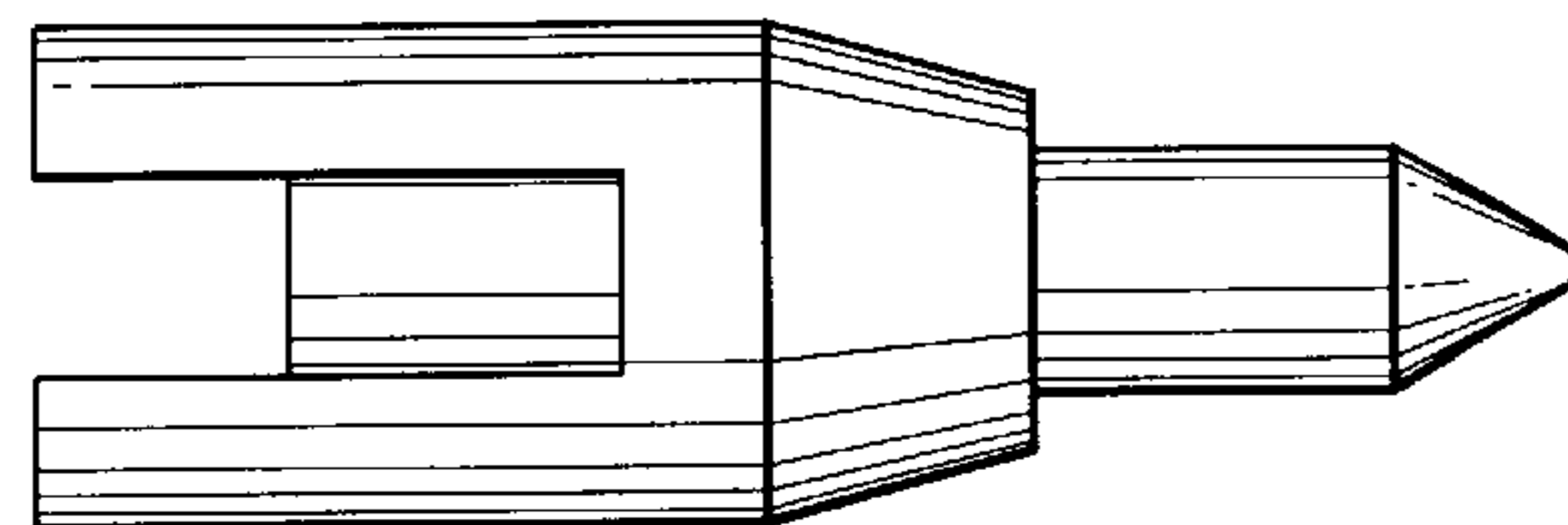


Fig.19.

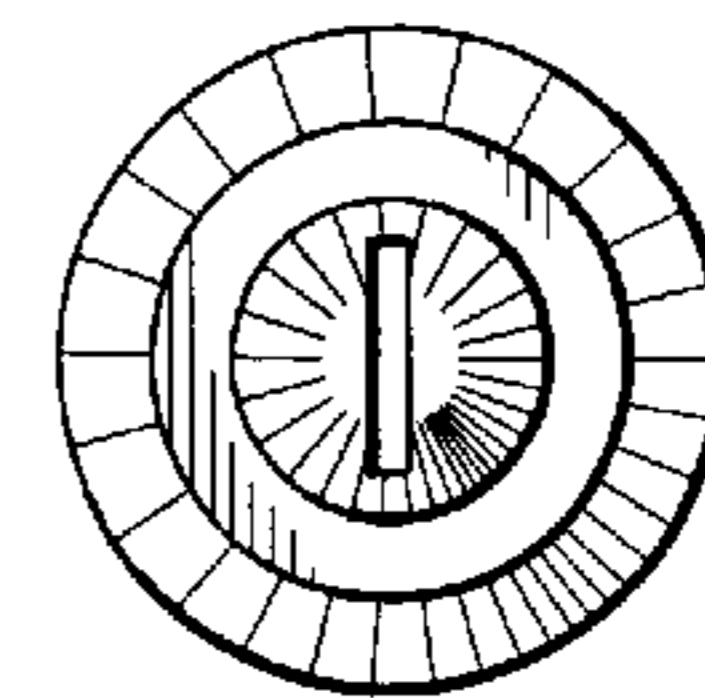


Fig.20.

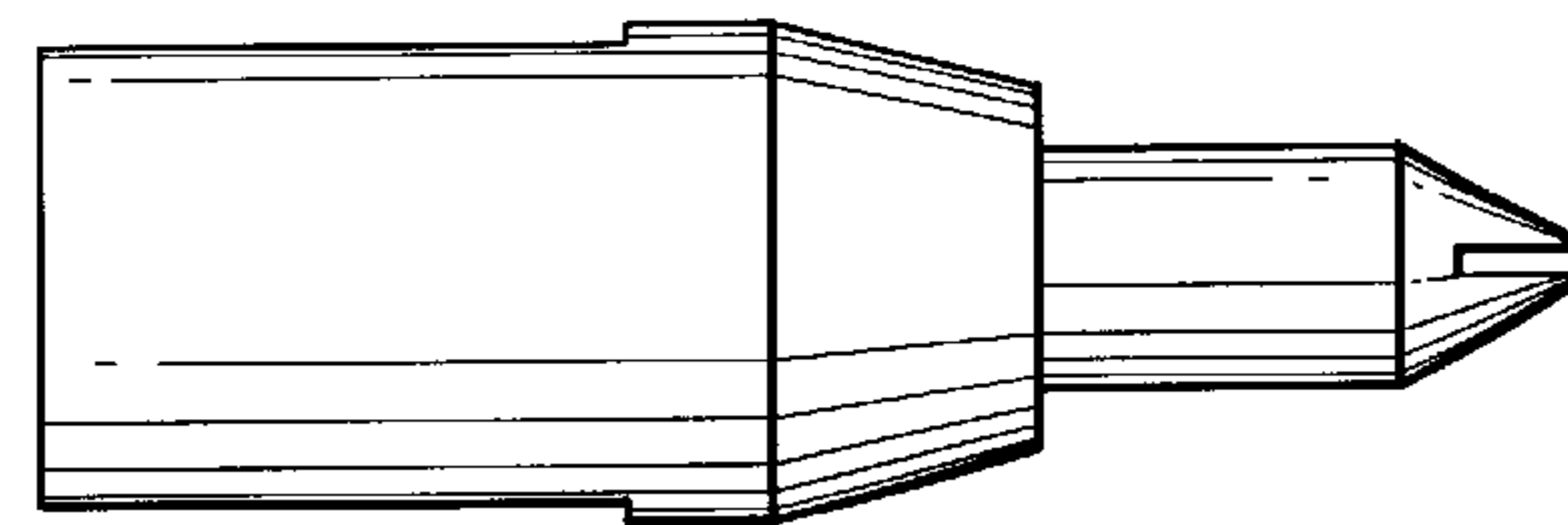


Fig.21.

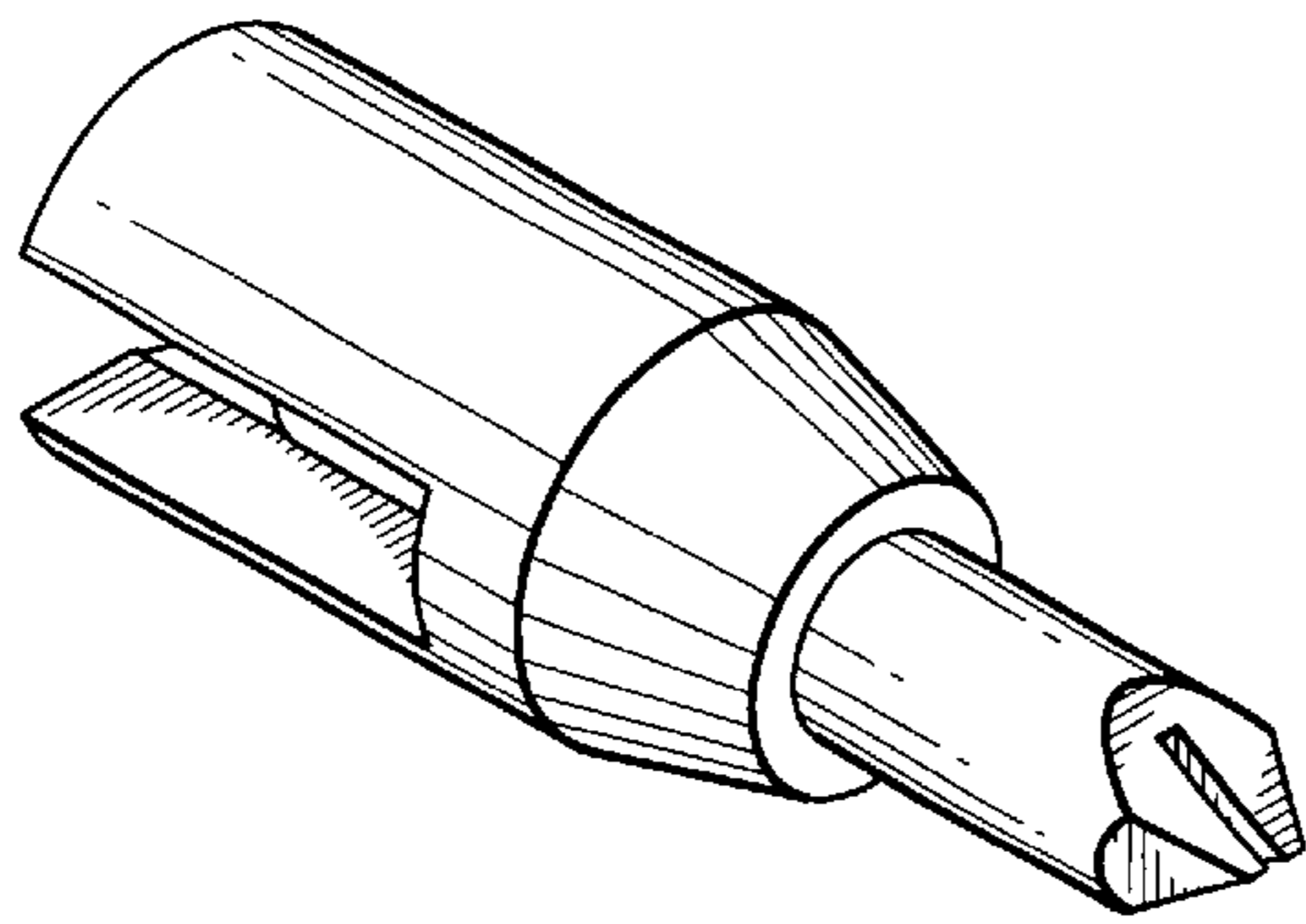


Fig. 22.

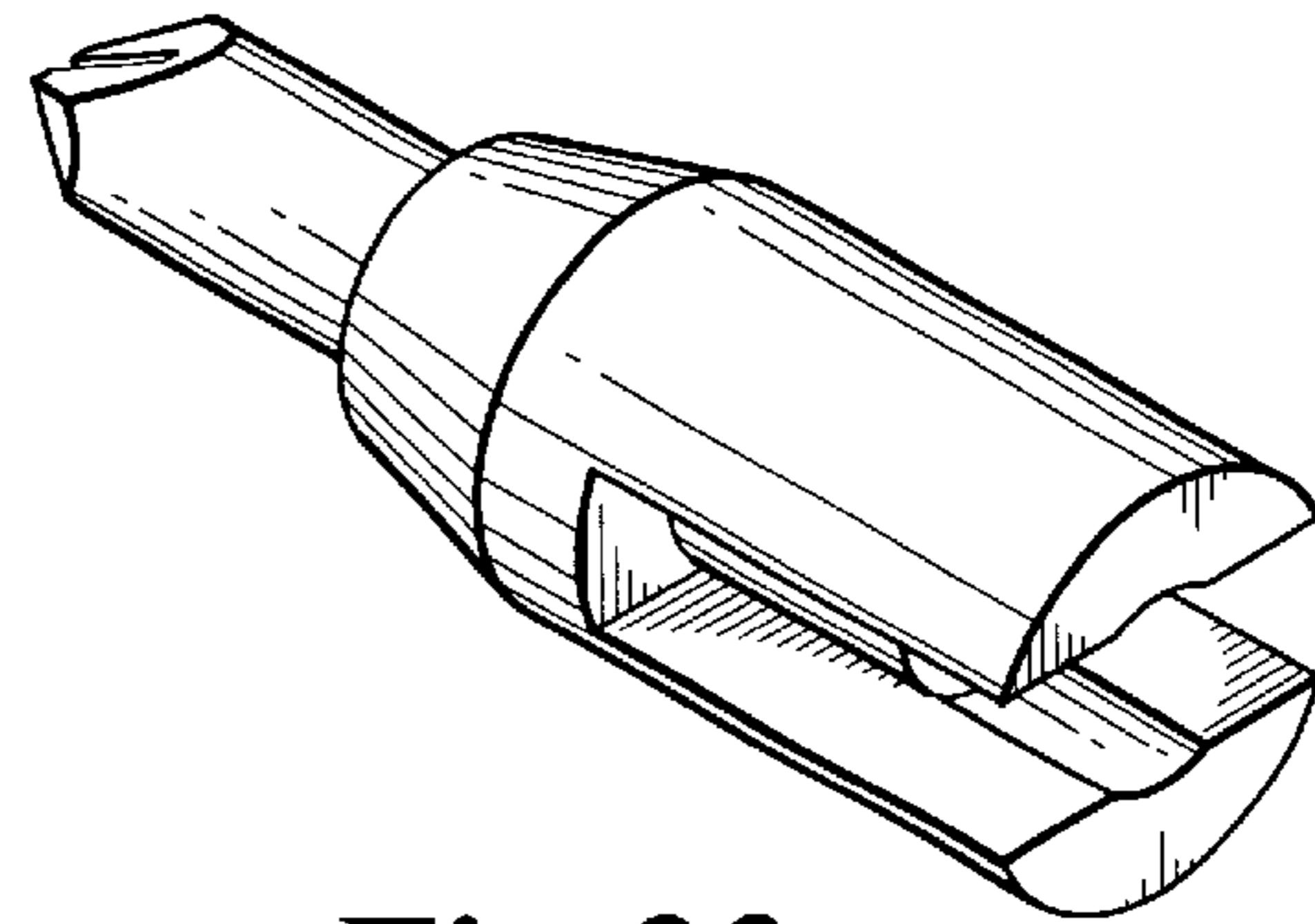


Fig. 23.

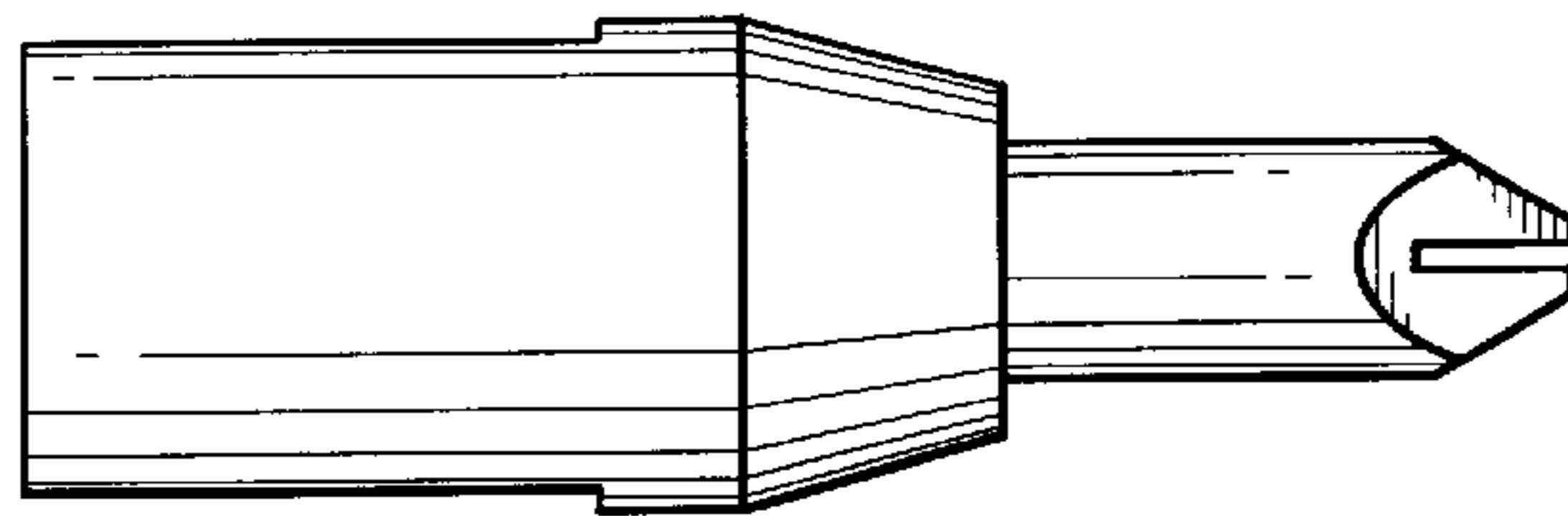


Fig. 24.

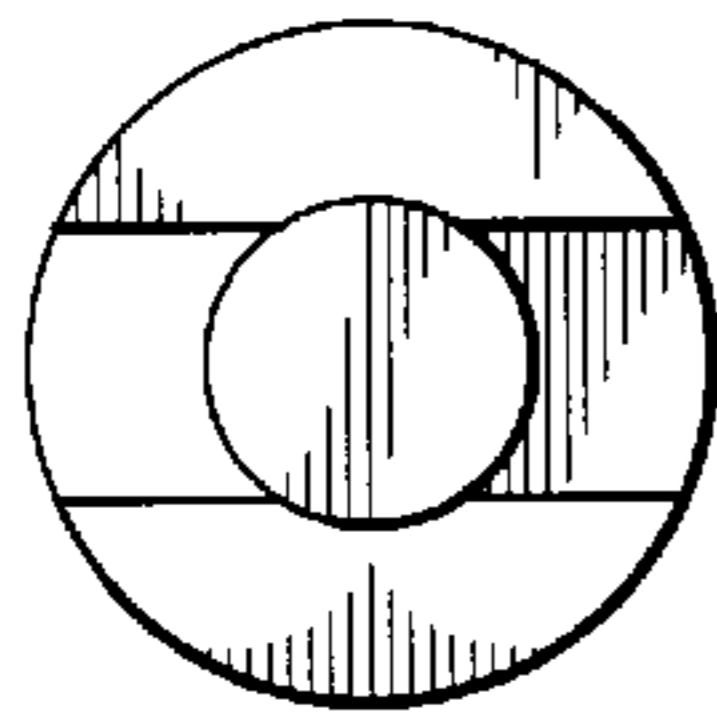


Fig. 25.

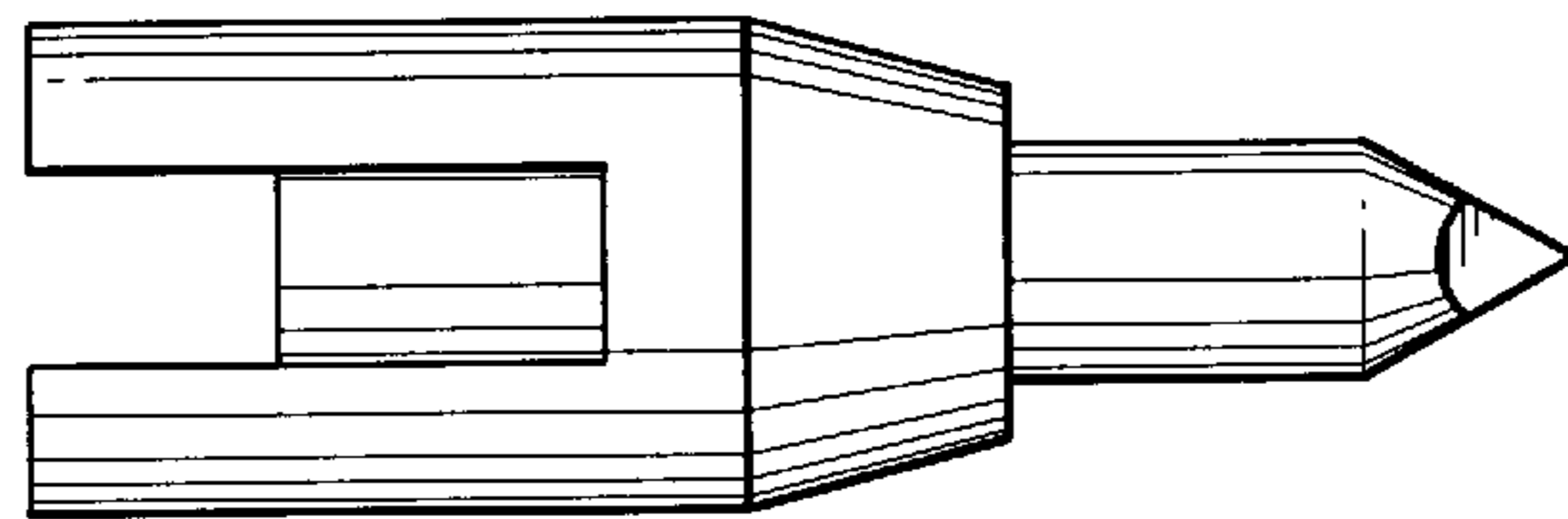


Fig. 26.

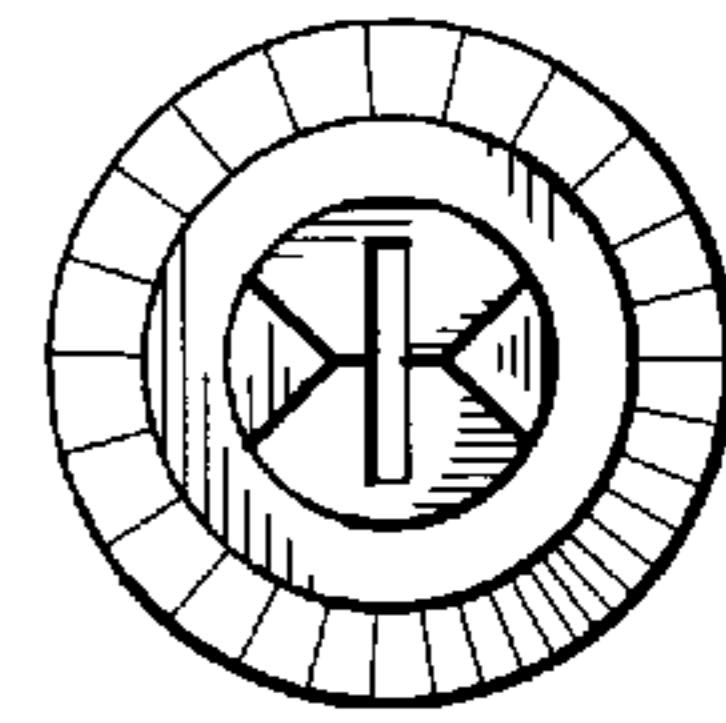


Fig. 27.

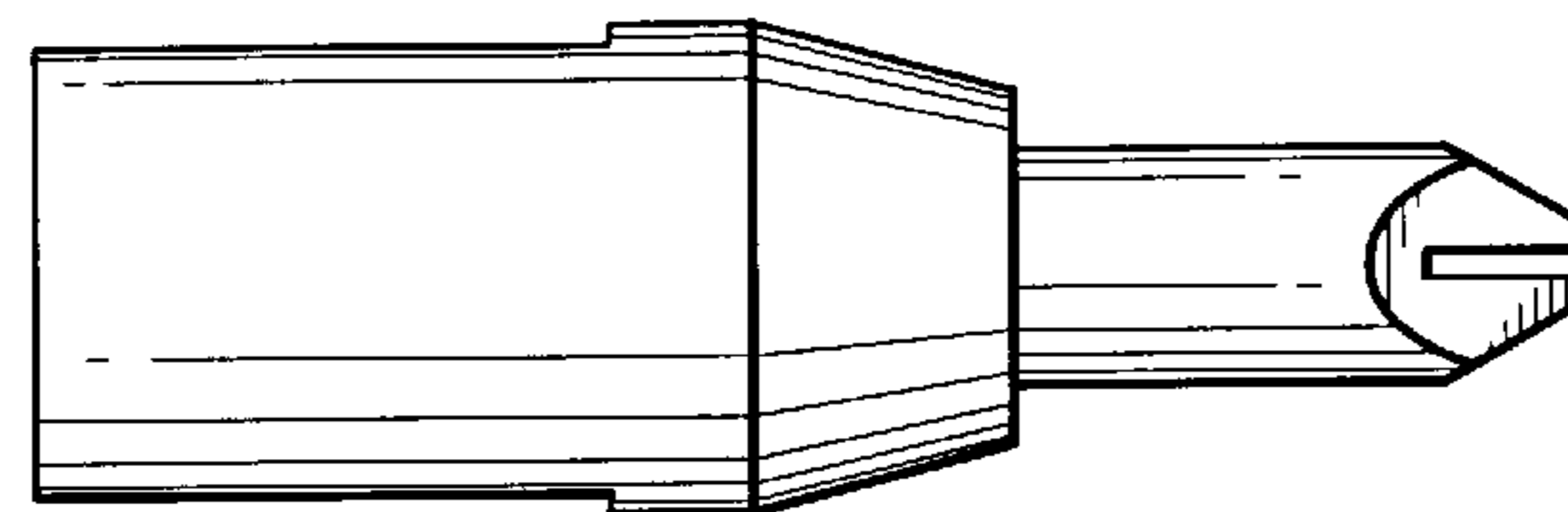


Fig. 28.