

US00D549250S

(12) **United States Design Patent**  
**Salomaa et al.**

(10) **Patent No.:** **US D549,250 S**

(45) **Date of Patent:** **\*\* Aug. 21, 2007**

(54) **BEARING UNIT FOR A PUMP**

(75) Inventors: **Timo Salomaa**, Mantta (FI); **Antti Siltavuori**, Fiskars (FI); **Hannu Hjerpe**, Fiskars (FI)

(73) Assignee: **Sulzer Pumpen AG**, Winterthur (CH)

(\*\*) Term: **14 Years**

(21) Appl. No.: **29/269,483**

(22) Filed: **Nov. 29, 2006**

(30) **Foreign Application Priority Data**

Jun. 1, 2006 (EM) ..... 000543673

(51) **LOC (8) Cl.** ..... **15-09**

(52) **U.S. Cl.** ..... **D15/143**

(58) **Field of Classification Search** ..... D15/7-9,  
D15/143; 384/412, 428, 447, 537  
See application file for complete search history.

(56) **References Cited**

U.S. PATENT DOCUMENTS

D196,761 S \* 10/1963 Rollitt ..... D15/7  
D202,145 S \* 8/1965 Schroeder ..... D15/7  
D286,292 S \* 10/1986 Kingston ..... D15/9  
4,650,398 A \* 3/1987 Brandenstein et al. ... 415/170.1

D349,710 S \* 8/1994 Moro ..... D15/7  
5,362,158 A \* 11/1994 Hashimoto et al. .... 384/447  
D418,847 S \* 1/2000 Ichihara ..... D15/143  
D447,148 S \* 8/2001 Antony et al. .... D15/7  
D538,824 S \* 3/2007 Tojo ..... D15/7

\* cited by examiner

*Primary Examiner*—Antoine D. Davis

*Assistant Examiner*—Patricia Palasik

(74) *Attorney, Agent, or Firm*—Townsend and Townsend and Crew LLP

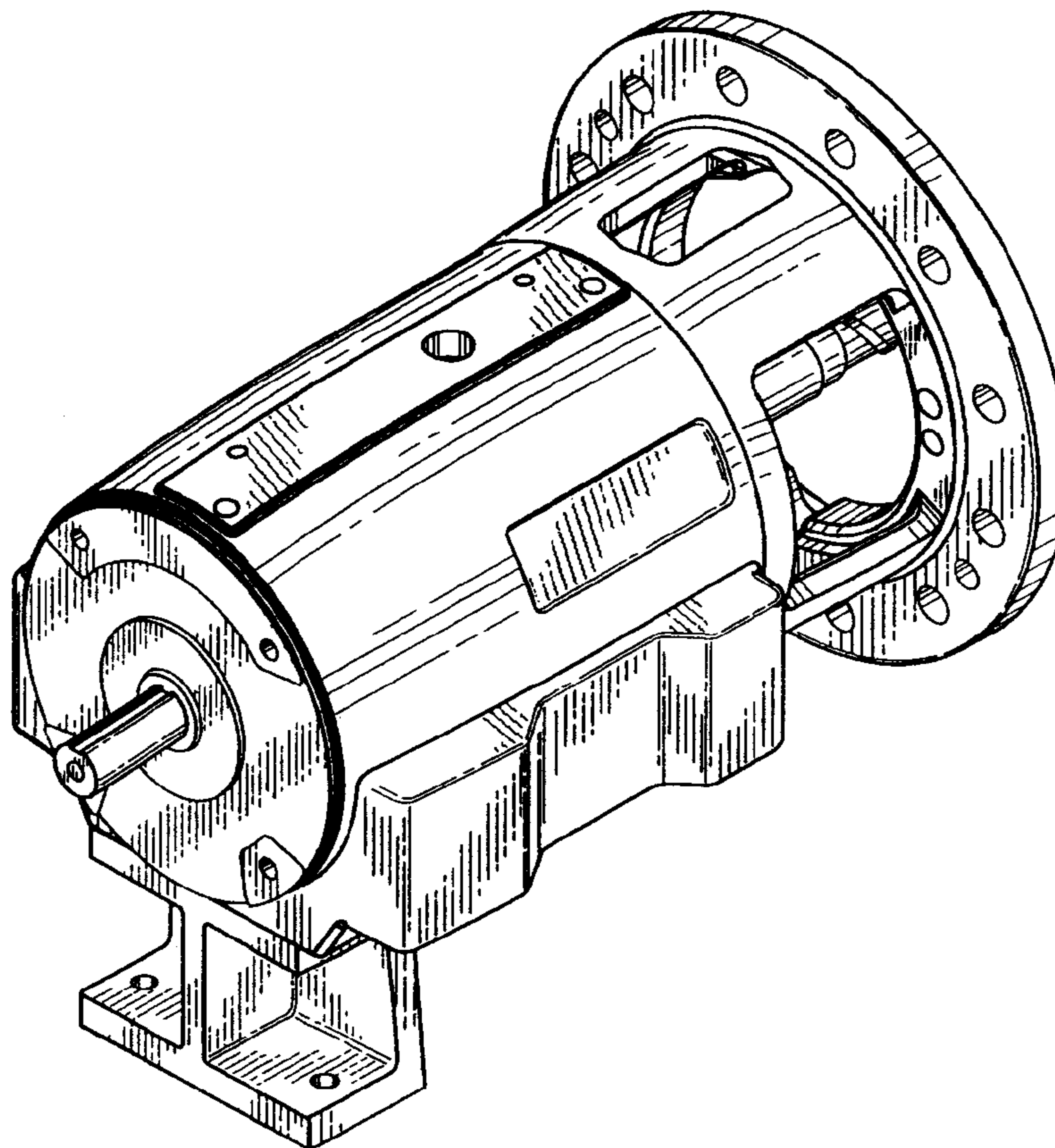
(57) **CLAIM**

The ornamental design for a bearing unit for a pump, as shown and described.

**DESCRIPTION**

FIG. 1 is a side perspective view of the design;  
FIG. 2 is a first side elevational view thereof;  
FIG. 3 is an opposite side elevational view thereof;  
FIG. 4 is a rear elevational view thereof;  
FIG. 5 is a front elevational view thereof;  
FIG. 6 is a plan view thereof; and,  
FIG. 7 is an underneath view thereof.

**1 Claim, 4 Drawing Sheets**



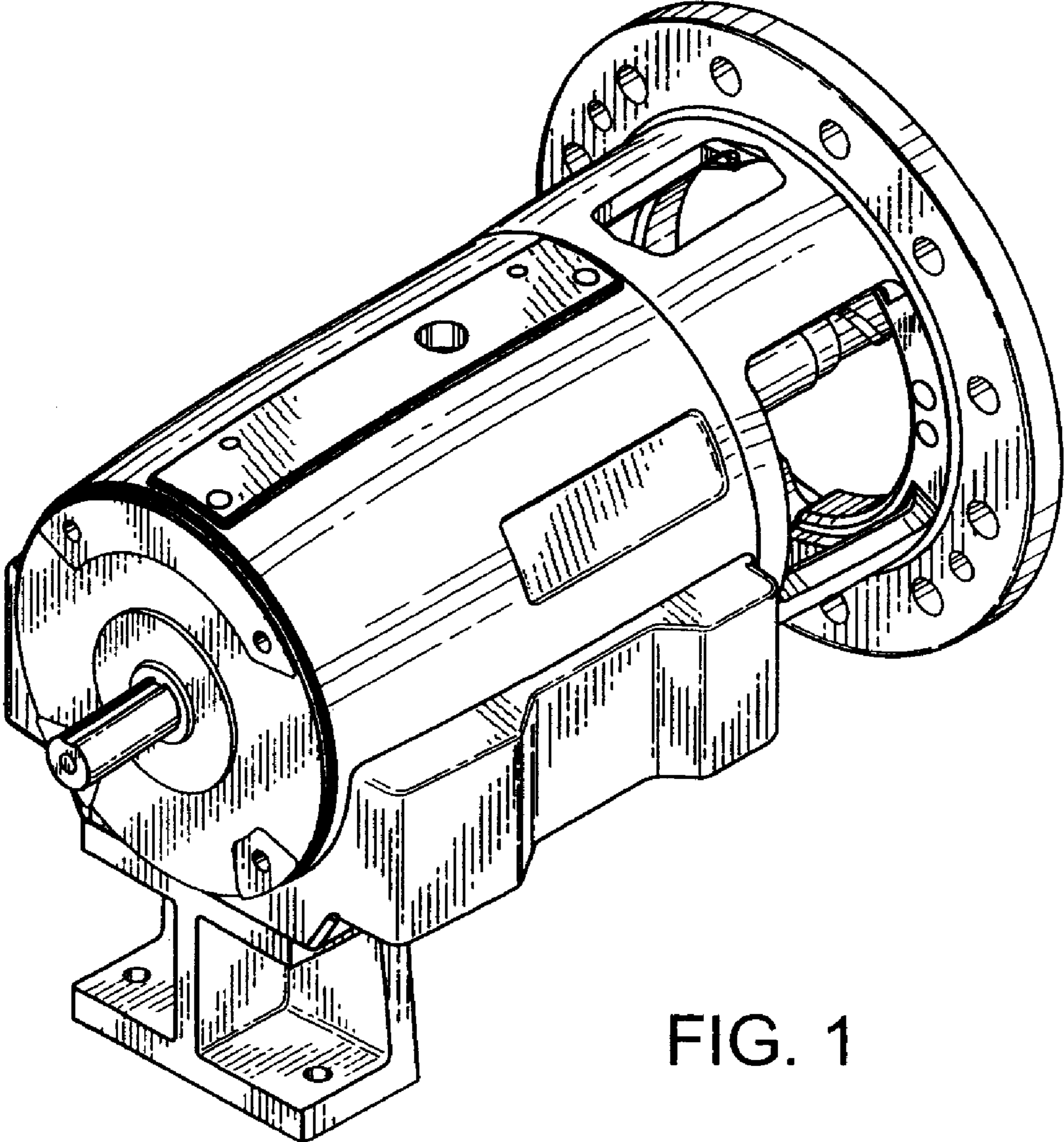


FIG. 1

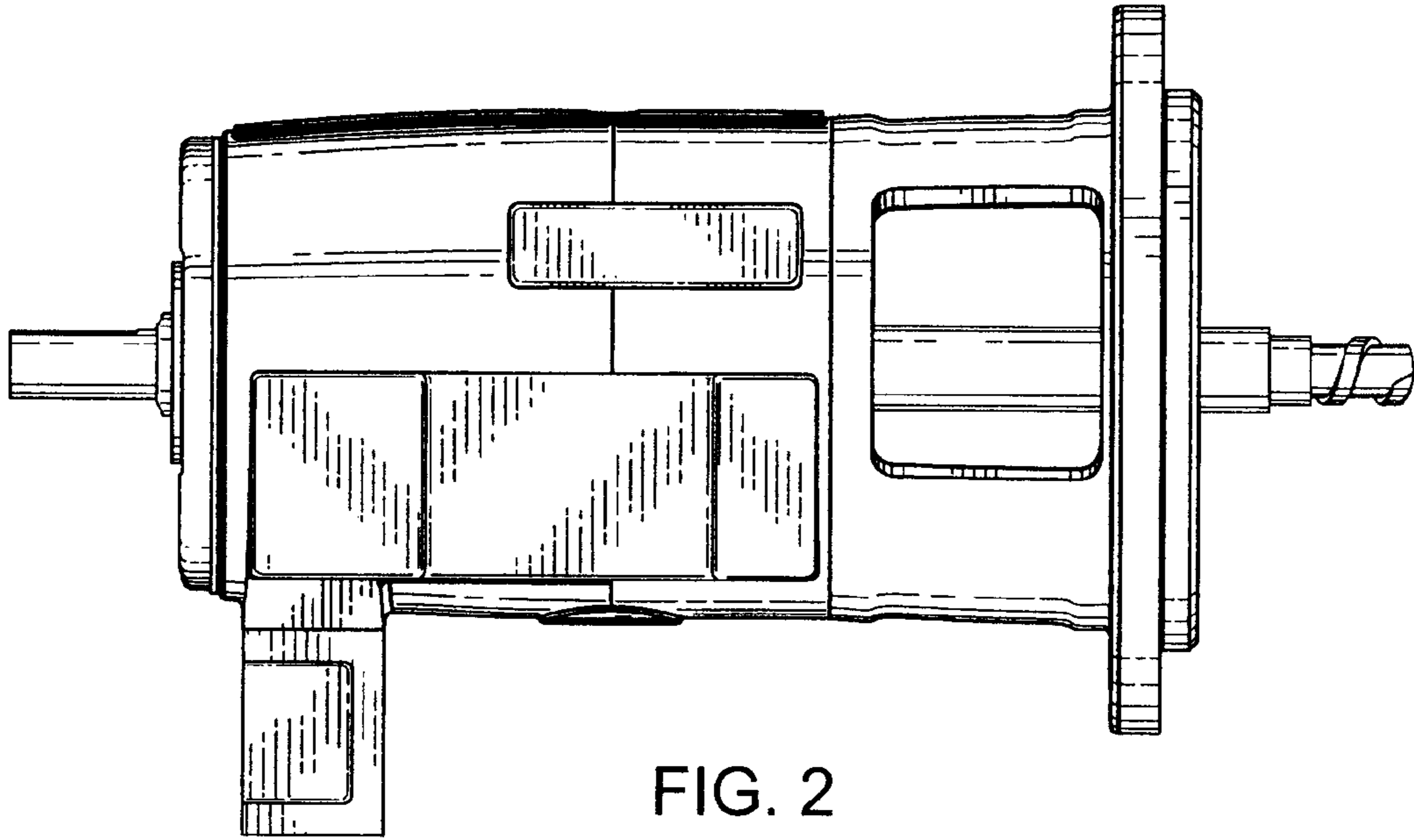


FIG. 2

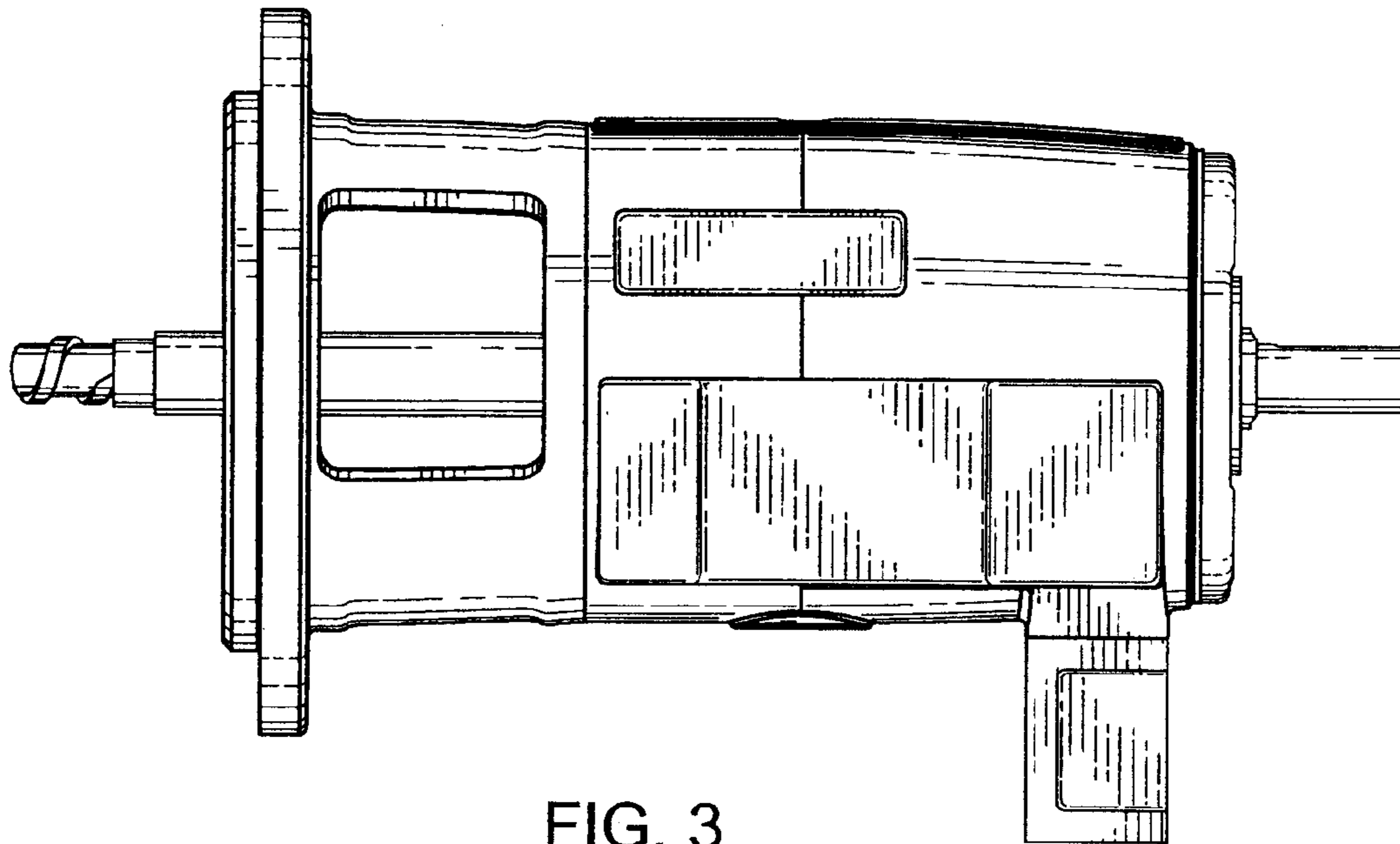


FIG. 3

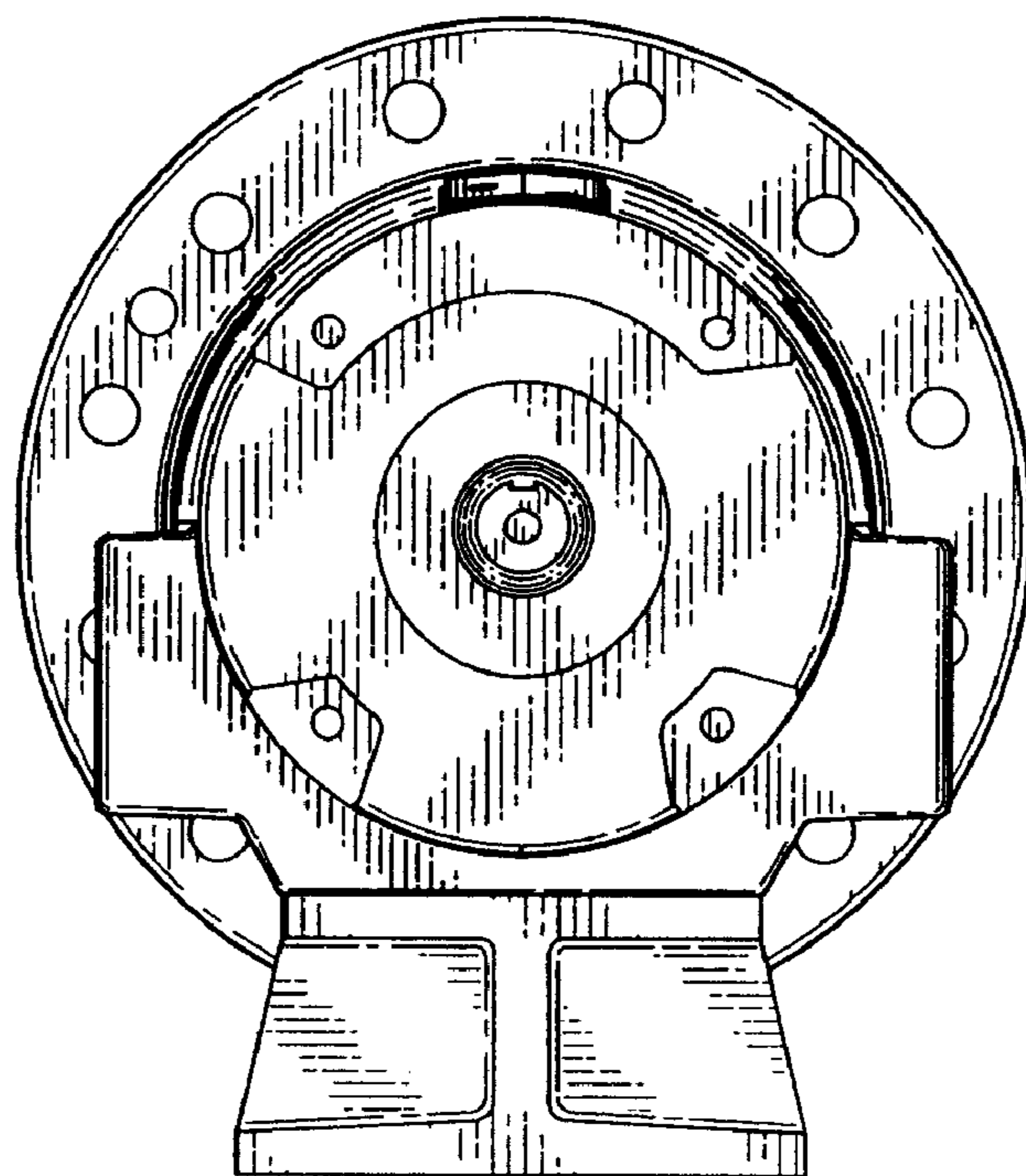


FIG. 4

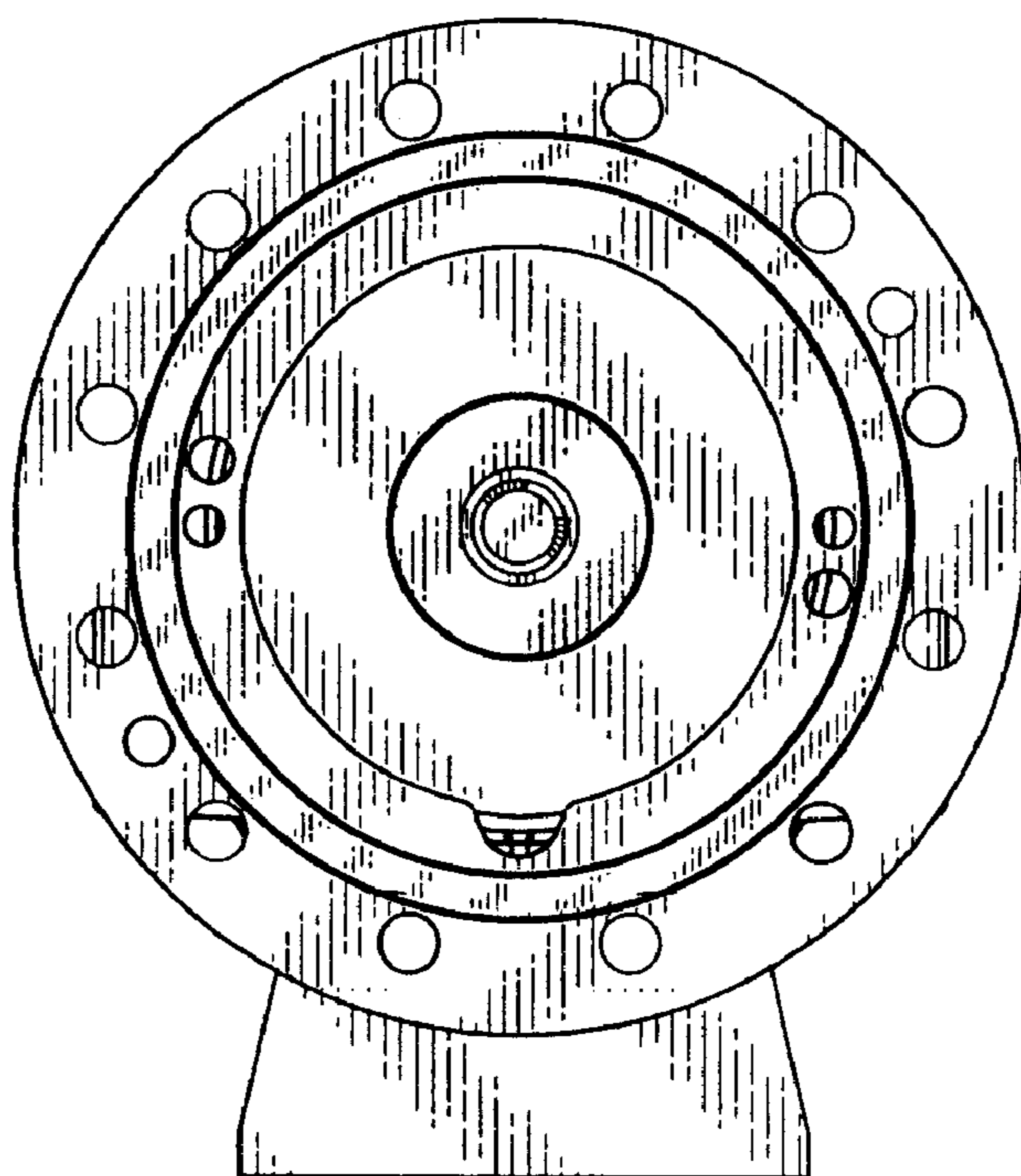


FIG. 5

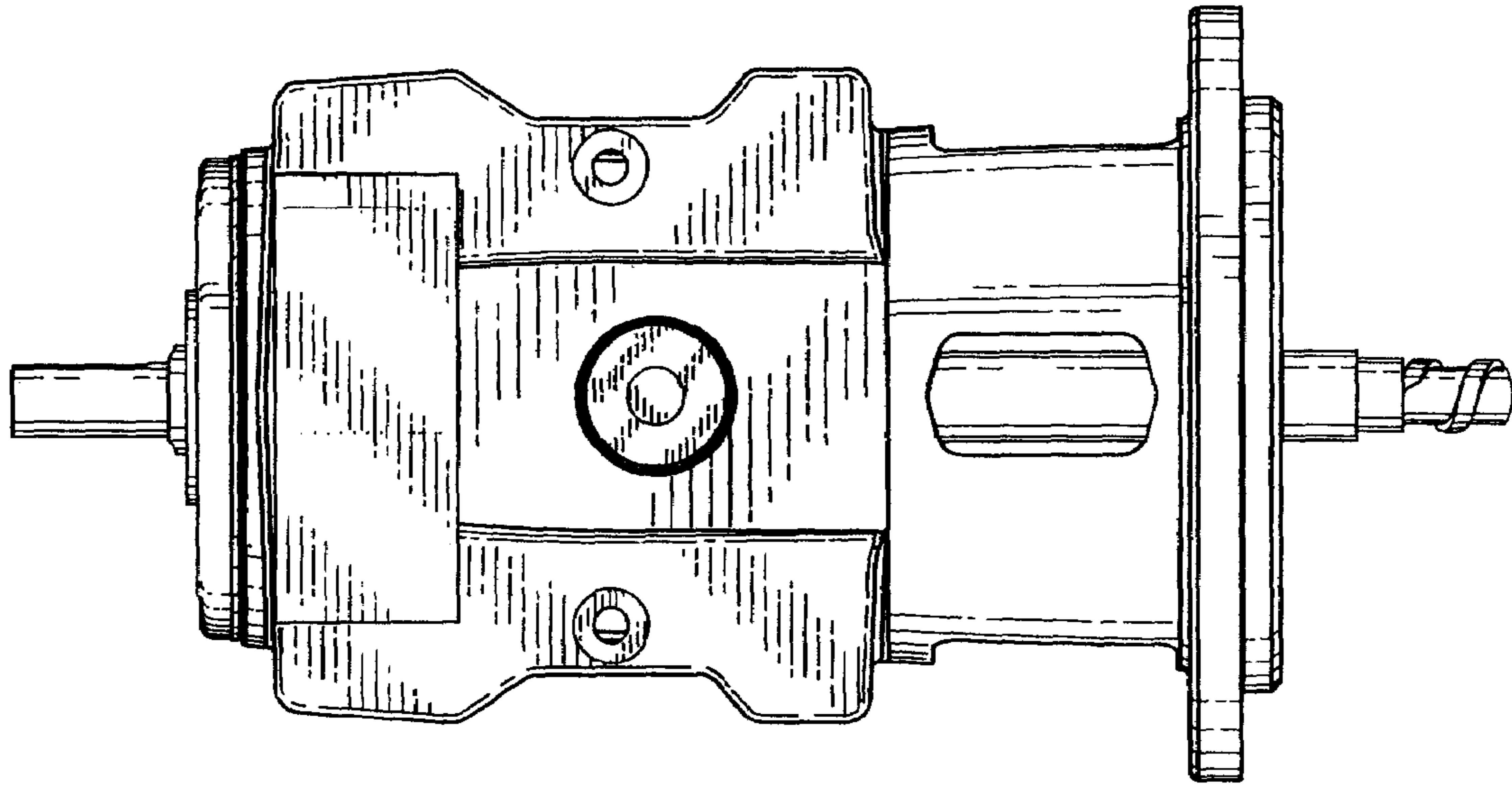


FIG. 6

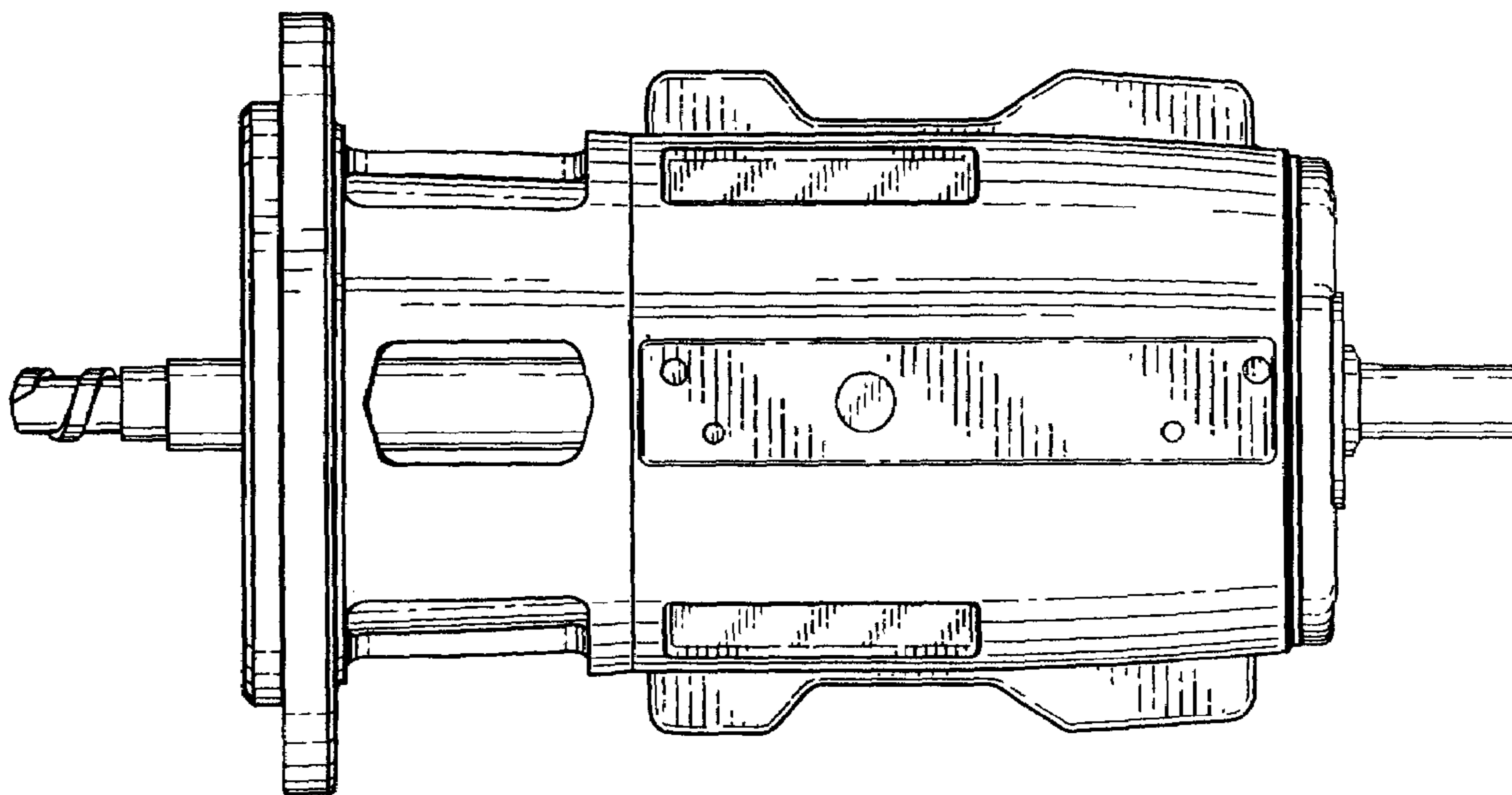


FIG. 7