

US00D549249S

(12) **United States Design Patent**  
**Omi**

(10) **Patent No.:** **US D549,249 S**

(45) **Date of Patent:** **\*\* Aug. 21, 2007**

(54) **END MILL**

(75) Inventor: **Shohei Omi**, Anjo (JP)

(73) Assignee: **Omi Kogyo Co., Ltd.** (JP)

(\*\*) Term: **14 Years**

(21) Appl. No.: **29/276,809**

(22) Filed: **Feb. 6, 2007**

(51) **LOC (8) Cl.** ..... **15-09**

(52) **U.S. Cl.** ..... **D15/139**

(58) **Field of Classification Search** ..... D8/70;  
D15/131, 132, 138, 139, 140; 408/222, 223,  
408/229, 230

See application file for complete search history.

(56) **References Cited**

**U.S. PATENT DOCUMENTS**

30,485	A *	10/1860	Prentiss	.....	137/637.3
4,034,452	A *	7/1977	Edming	.....	407/54
4,285,618	A *	8/1981	Shanley, Jr.	.....	407/54
4,620,822	A *	11/1986	Haque et al.	.....	408/224
D328,557	S *	8/1992	Nishimura	.....	D8/70
D363,728	S *	10/1995	Asano	.....	D15/139
6,524,036	B1 *	2/2003	Kolker	.....	409/131
2006/0029477	A1 *	2/2006	Anjanappa et al.	.....	408/230
2006/0216124	A1 *	9/2006	Oknestam et al.	.....	408/222
2007/0014643	A1 *	1/2007	Malagnino et al.	.....	408/222

\* cited by examiner

*Primary Examiner*—Antoine D. Davis

*Assistant Examiner*—Patricia Palasik

(74) *Attorney, Agent, or Firm*—Fulwider Patton LLP

(57) **CLAIM**

The ornamental design for an end mill, as shown and described.

**DESCRIPTION**

FIG. 1 is a perspective view of an end mill showing my new design;

FIG. 2 is a right side elevational view thereof;

FIG. 3 is a left side elevational view thereof;

FIG. 4 is a top plan view thereof;

FIG. 5 is a bottom plan view thereof;

FIG. 6 is a rear view thereof;

FIG. 7 is a front view thereof;

FIG. 8 is a perspective view of an end mill according to a second embodiment of the present design;

FIG. 9 is a right side elevational view thereof;

FIG. 10 is a left side elevational view thereof;

FIG. 11 is a top plan view thereof;

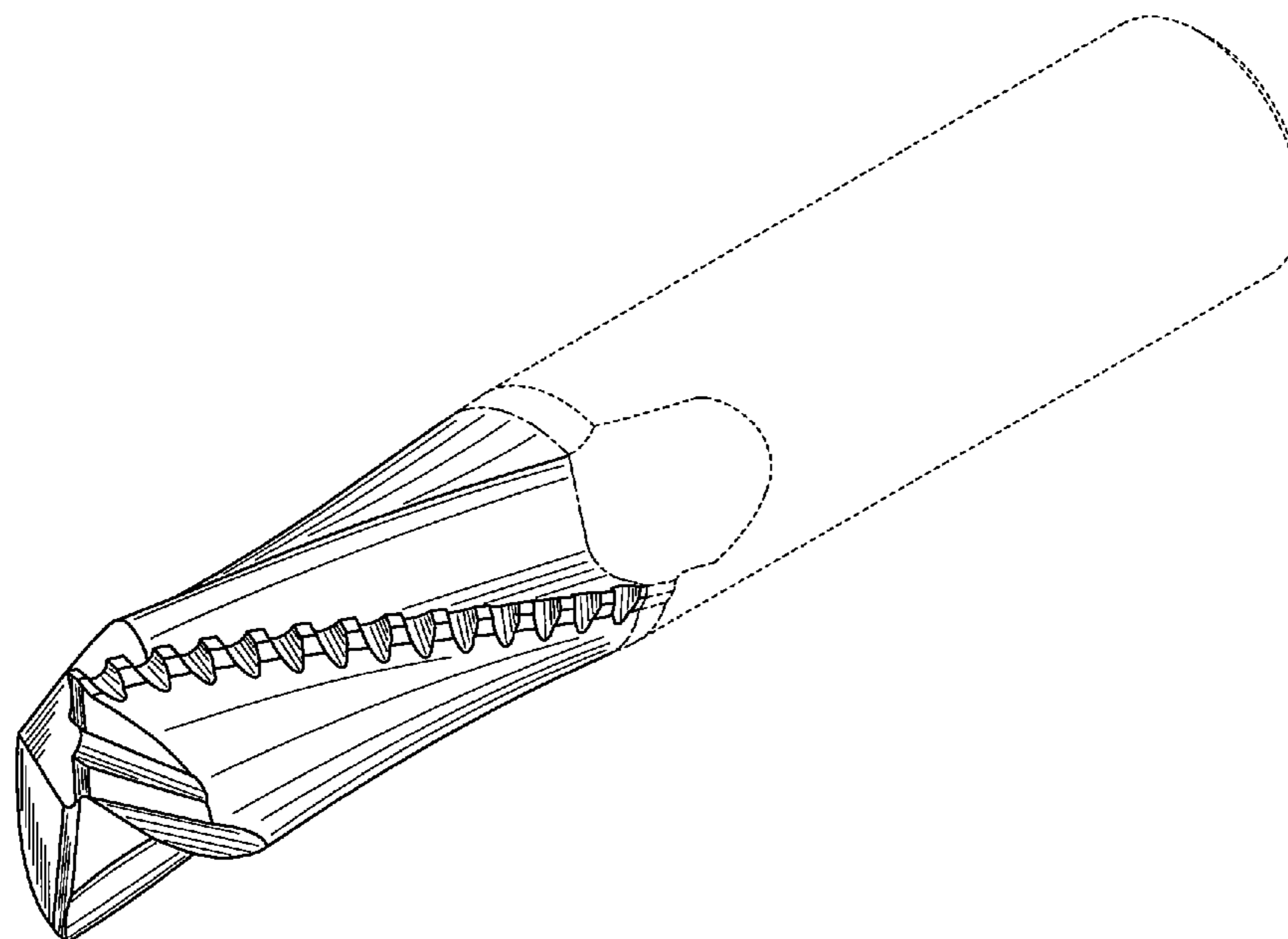
FIG. 12 is a bottom plan view thereof;

FIG. 13 is a rear view thereof; and,

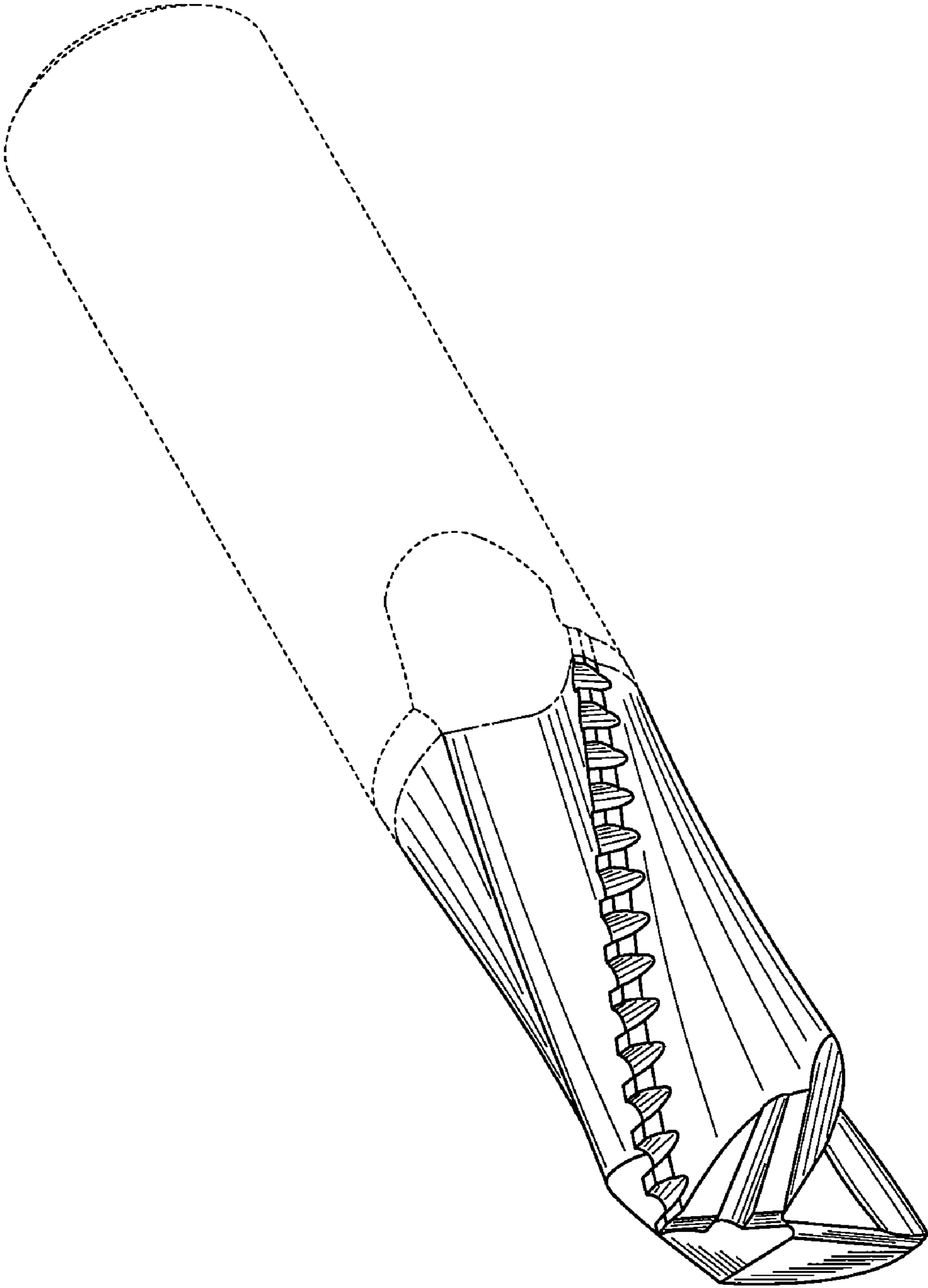
FIG. 14 is a front view thereof.

The broken lines in the drawings are shown for illustrated purposes only and form no part of the claimed design. The dot-dashed lines denote the boundary of the claim, and form no part of the claimed design.

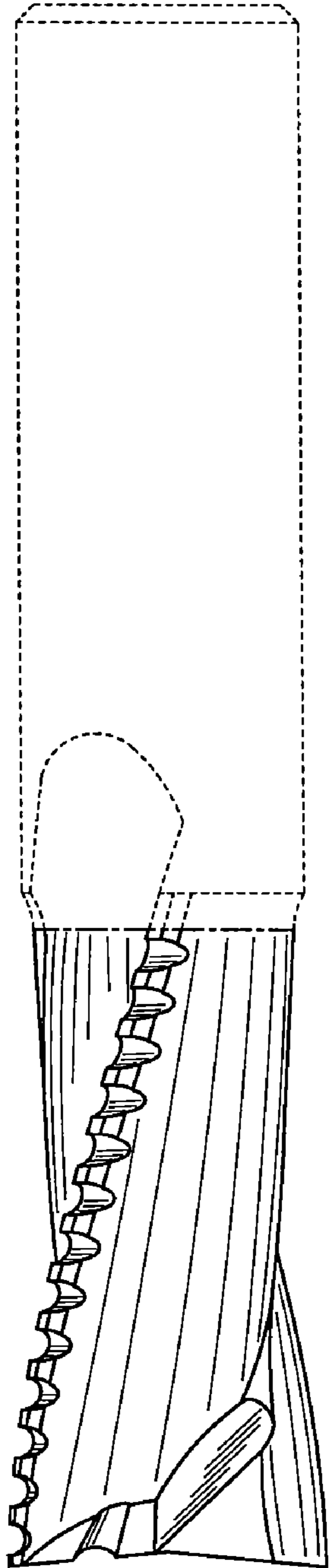
**1 Claim, 8 Drawing Sheets**



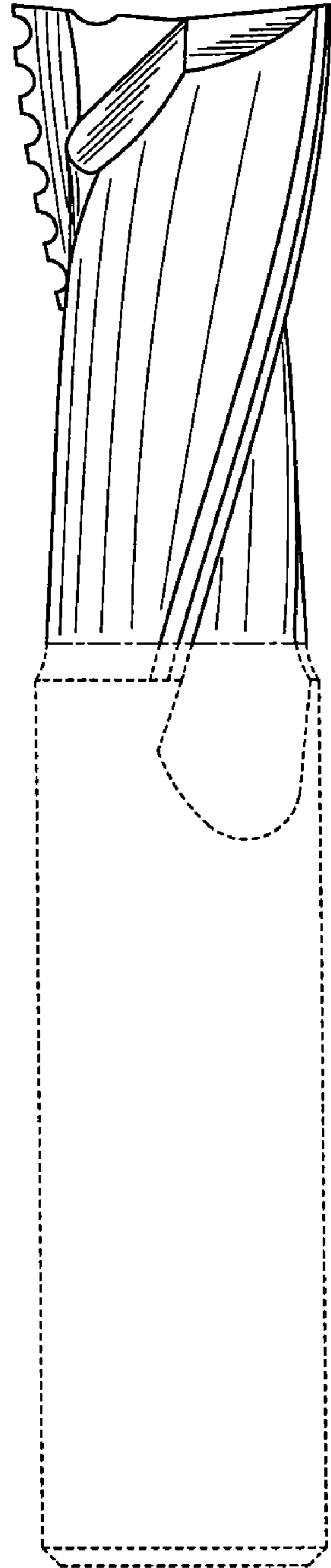
**FIG. 1**



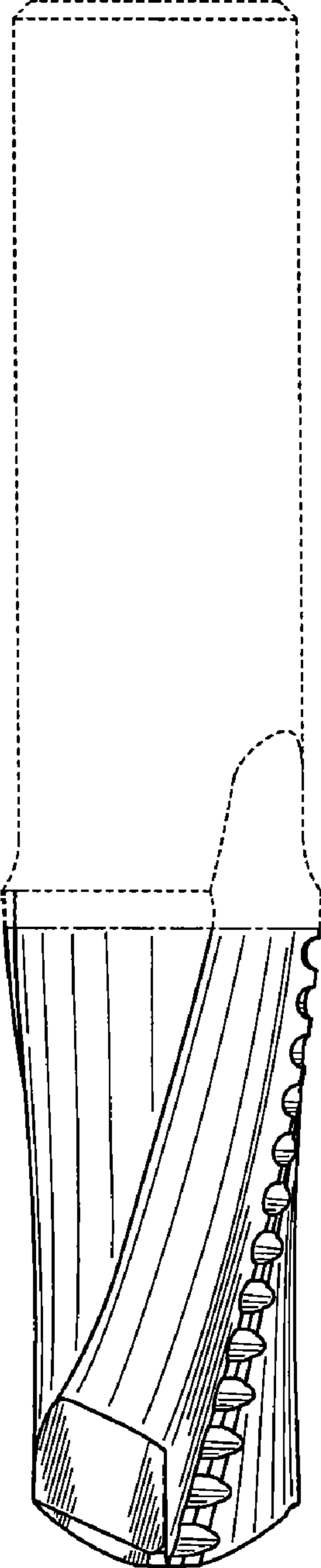
**FIG. 2**



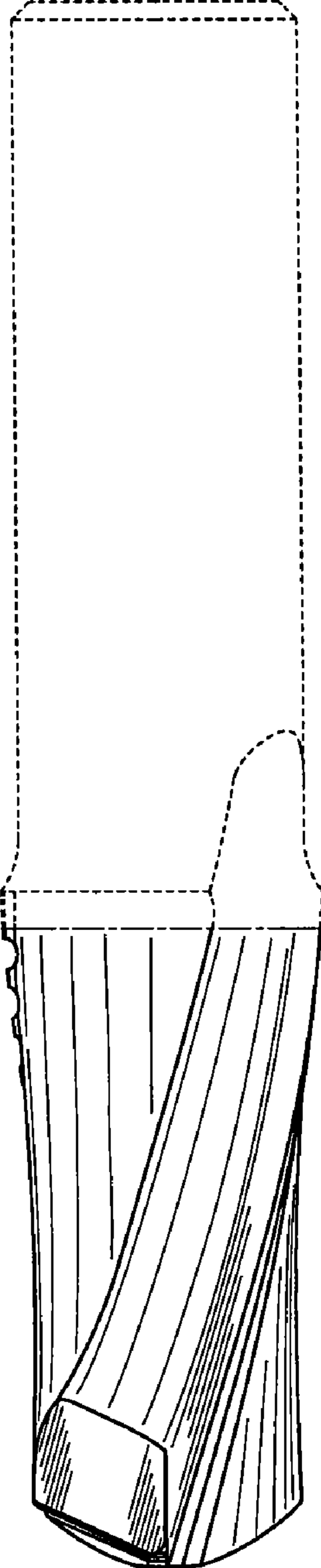
**FIG. 3**



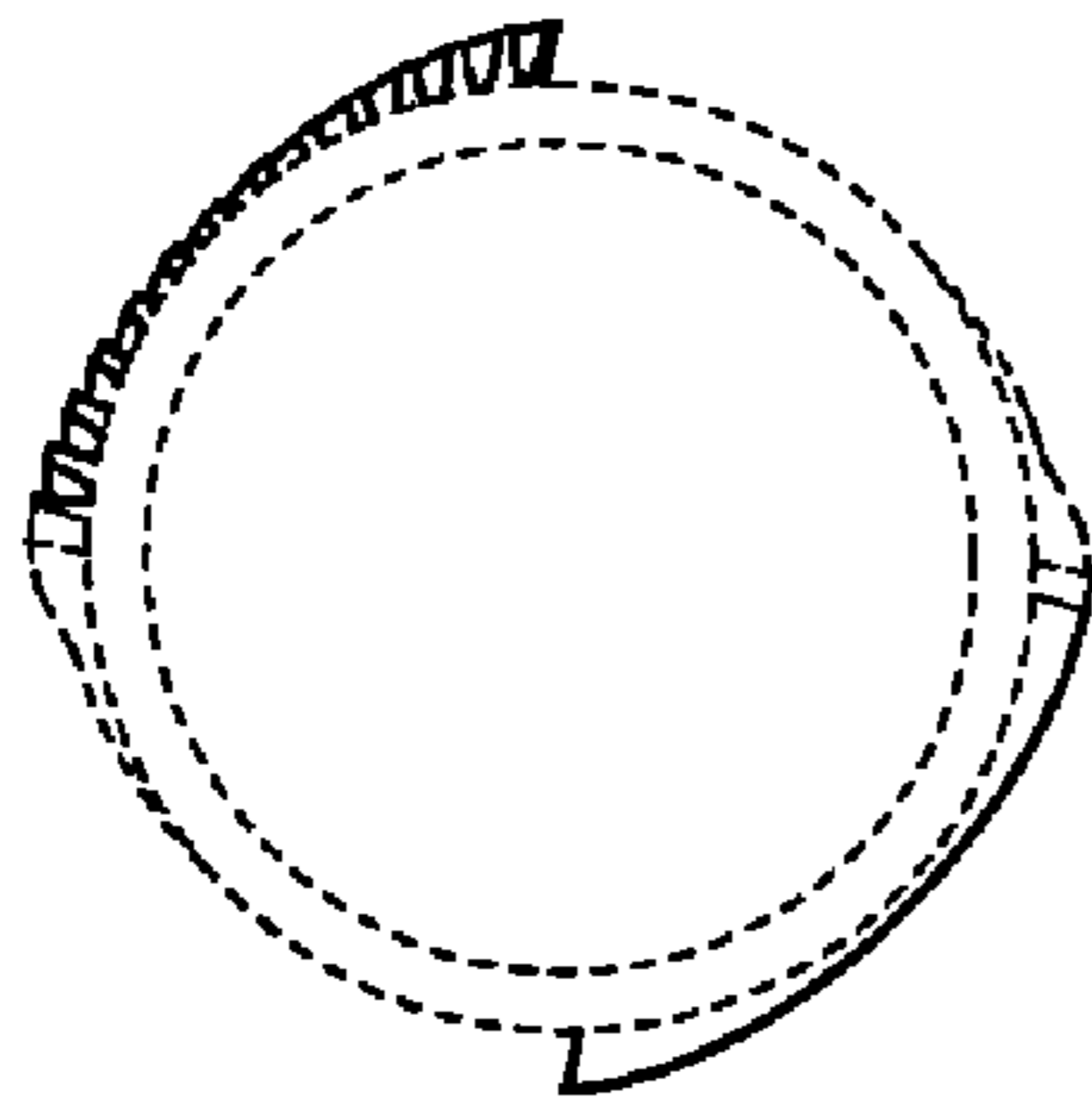
**FIG. 4**



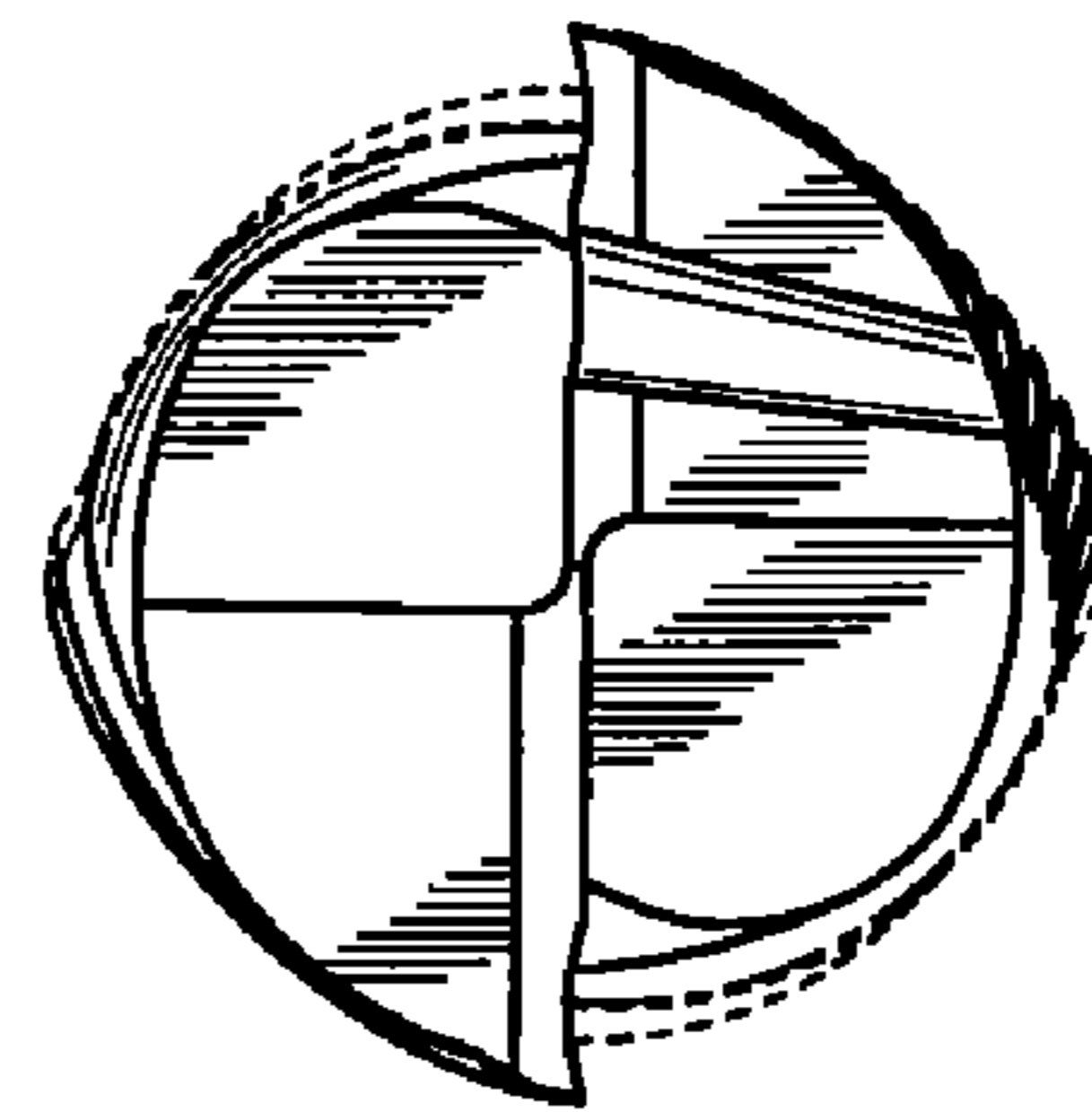
**FIG. 5**



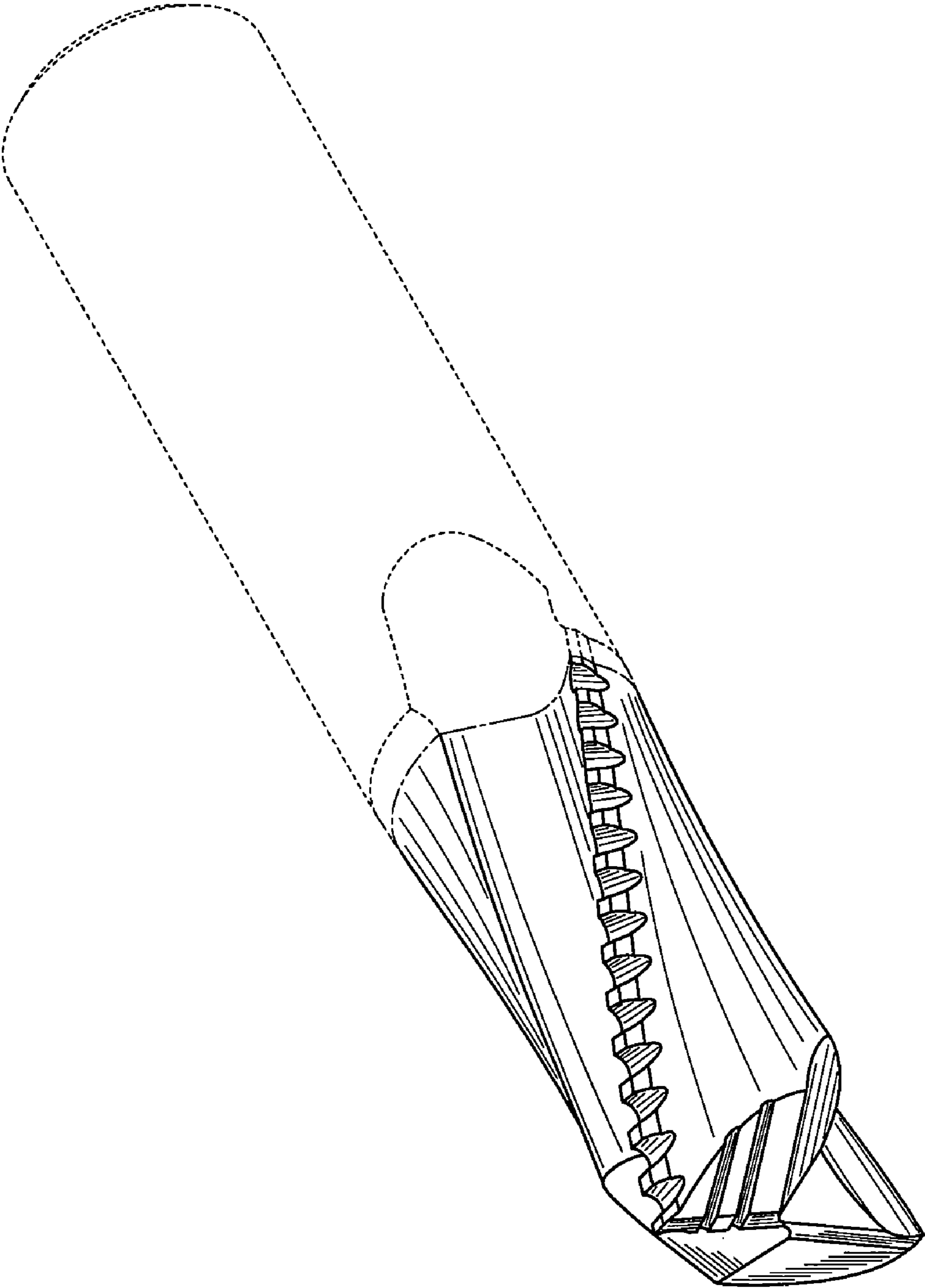
***FIG. 6***



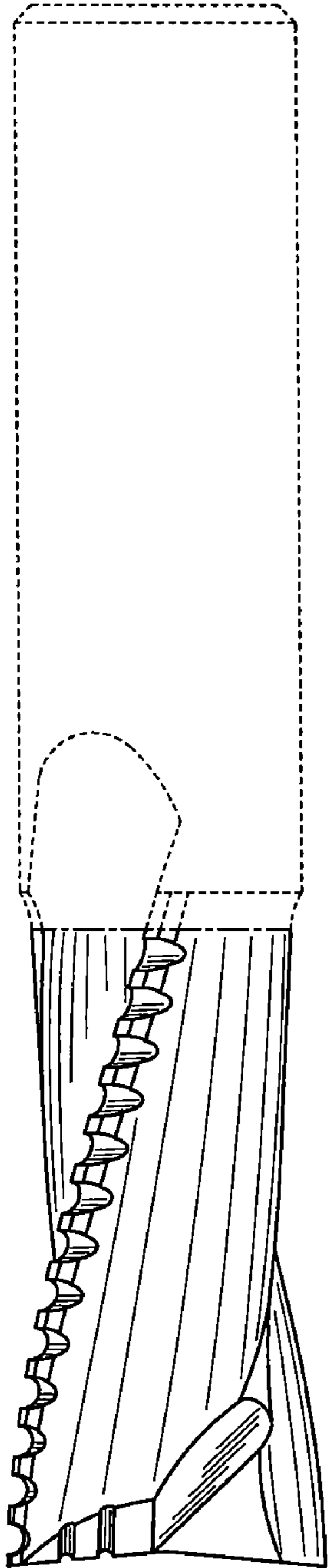
***FIG. 7***



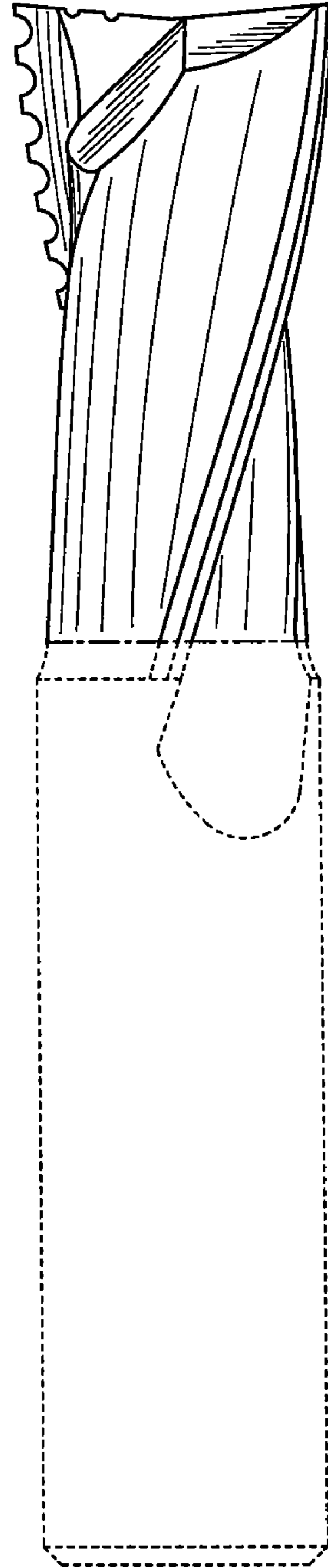
**FIG. 8**



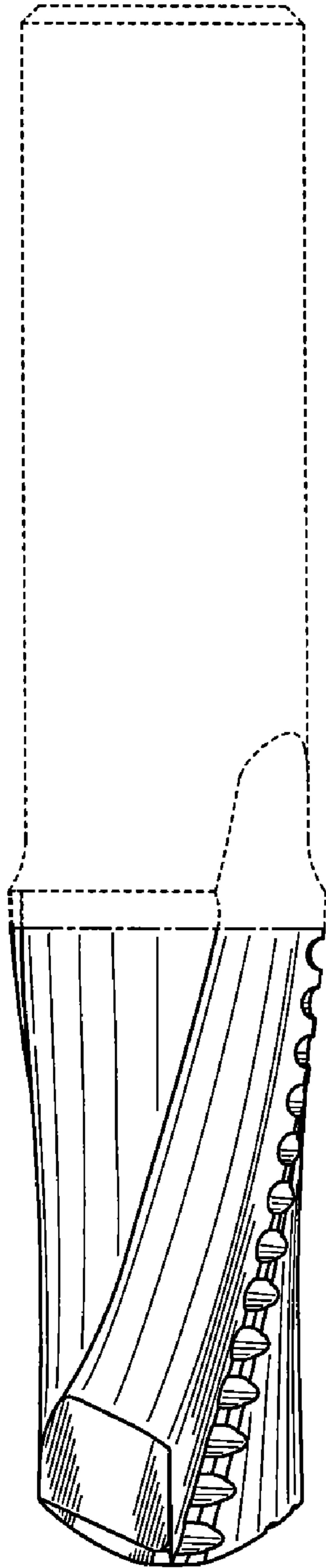
**FIG. 9**



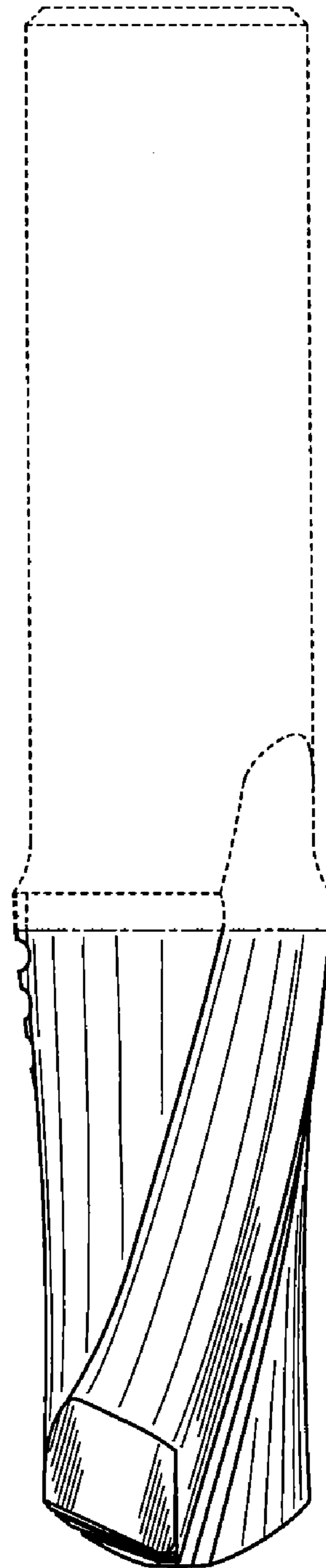
**FIG. 10**



*FIG. 11*

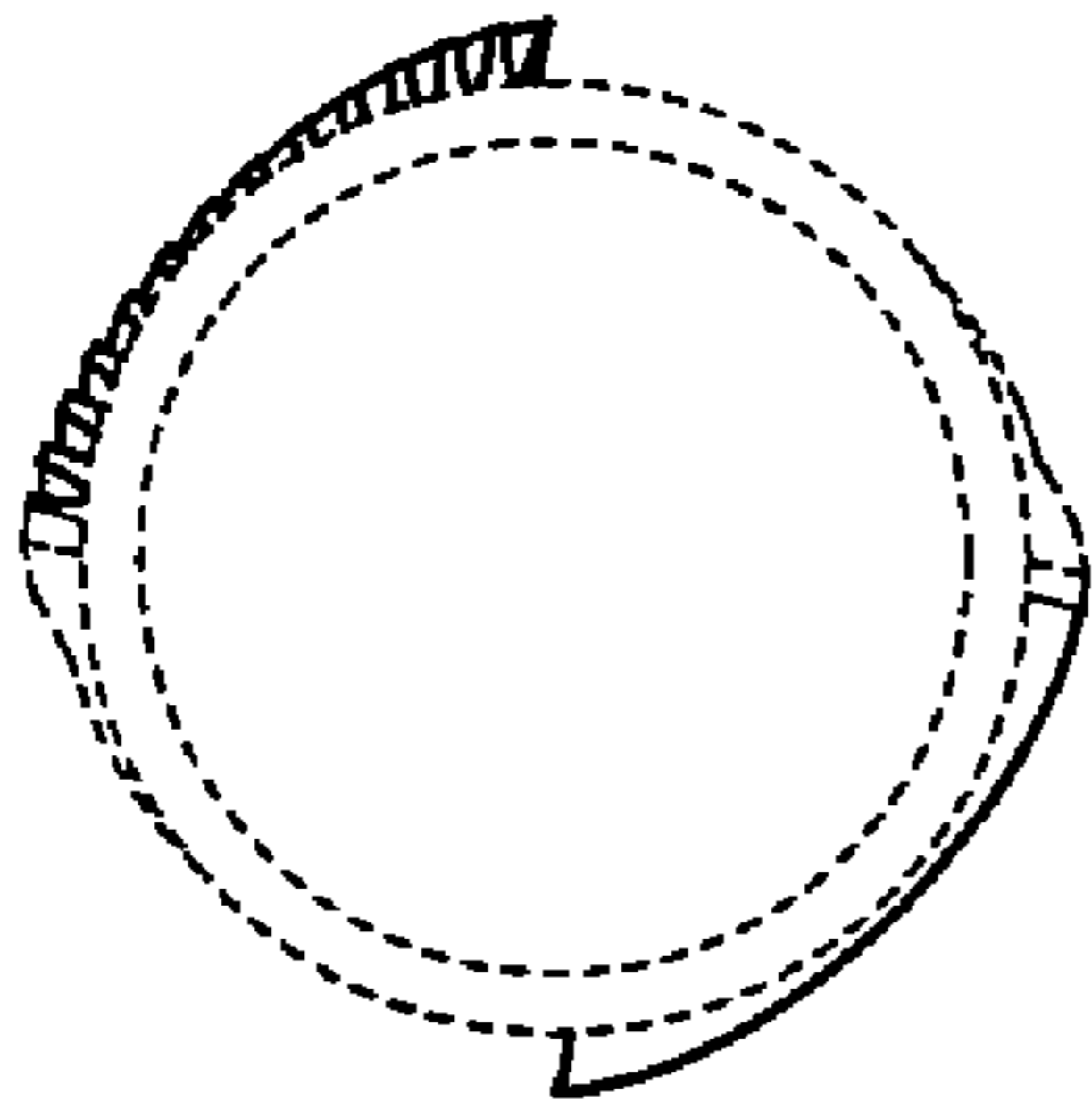


*FIG. 12*





***FIG. 13***



***FIG. 14***

