



US00D549247S

(12) **United States Design Patent**  
**Yorioka et al.**

(10) **Patent No.:** **US D549,247 S**

(45) **Date of Patent:** **\*\* Aug. 21, 2007**

(54) **HULLER**

(75) Inventors: **Seiji Yorioka**, Tokyo (JP); **Chozaburo Ikuta**, Tokyo (JP)

(73) Assignee: **Satake Corporation**, Tokyo (JP)

(\*\*) Term: **14 Years**

(21) Appl. No.: **29/240,234**

(22) Filed: **Oct. 12, 2005**

(30) **Foreign Application Priority Data**

Apr. 12, 2005 (JP) ..... 2005-010819

(51) **LOC (8) Cl.** ..... **15-09**

(52) **U.S. Cl.** ..... **D15/131**

(58) **Field of Classification Search** ..... D15/10,  
D15/123, 131, 199; 99/488, 519, 523, 524,  
99/600, 606, 607, 609, 610, 611, 618, 620,  
99/621; 209/691; 241/7, 11, 57; 426/481-483,  
426/518

See application file for complete search history.

(56) **References Cited**

**U.S. PATENT DOCUMENTS**

1,706,664 A \* 3/1929 Hancock ..... 19/37  
1,774,717 A \* 9/1930 Lorenzen ..... 99/518  
2,167,704 A \* 8/1939 Anderson ..... 99/626  
3,324,512 A \* 6/1967 Wallace ..... 19/56

5,873,301 A \* 2/1999 Satake et al. .... 99/488  
D472,909 S \* 4/2003 Satake et al. .... D15/199  
D515,602 S \* 2/2006 Hakoh et al. .... D15/199  
D523,025 S \* 6/2006 Ikuta et al. .... D15/10  
2002/0011155 A1\* 1/2002 Houri et al. .... 99/519  
2006/0249037 A1\* 11/2006 Koreda et al. .... 99/600

\* cited by examiner

*Primary Examiner*—Antoine D. Davis

*Assistant Examiner*—Patricia Palasik

(74) *Attorney, Agent, or Firm*—Jacobson Holman PLLC

(57) **CLAIM**

The ornamental design for a huller, as shown and described.

**DESCRIPTION**

FIG. 1 is a front and upper perspective view of a huller embodied in accordance with our design;

FIG. 2 is a rear and upper perspective view of the huller shown in FIG. 1;

FIG. 3 is a front view of the huller shown in FIG. 1;

FIG. 4 is a rear view thereof;

FIG. 5 is a left side view thereof;

FIG. 6 is a right side view thereof;

FIG. 7 is a top plan view thereof; and,

FIG. 8 is a bottom plan view thereof.

**1 Claim, 8 Drawing Sheets**

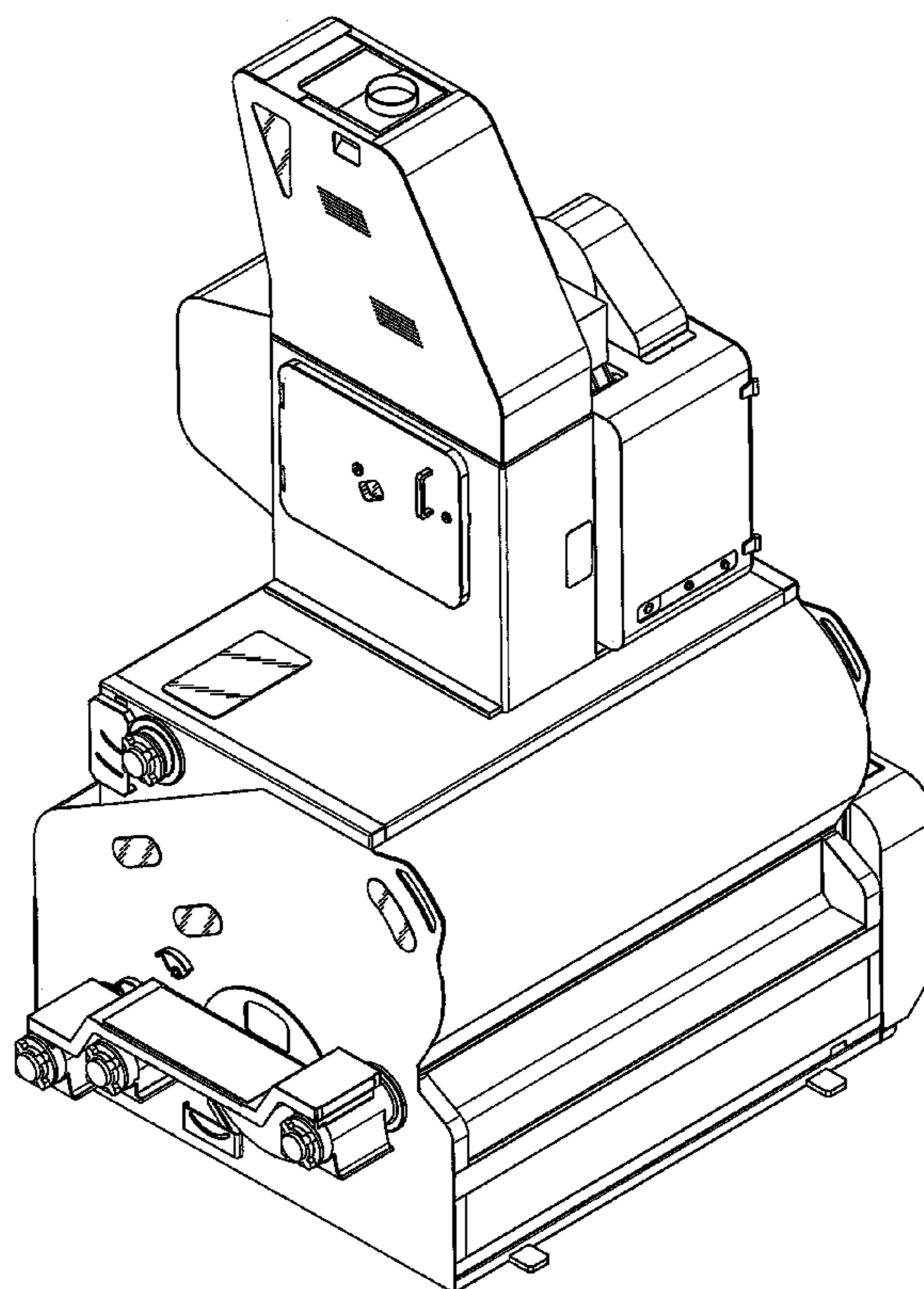


FIG. 1

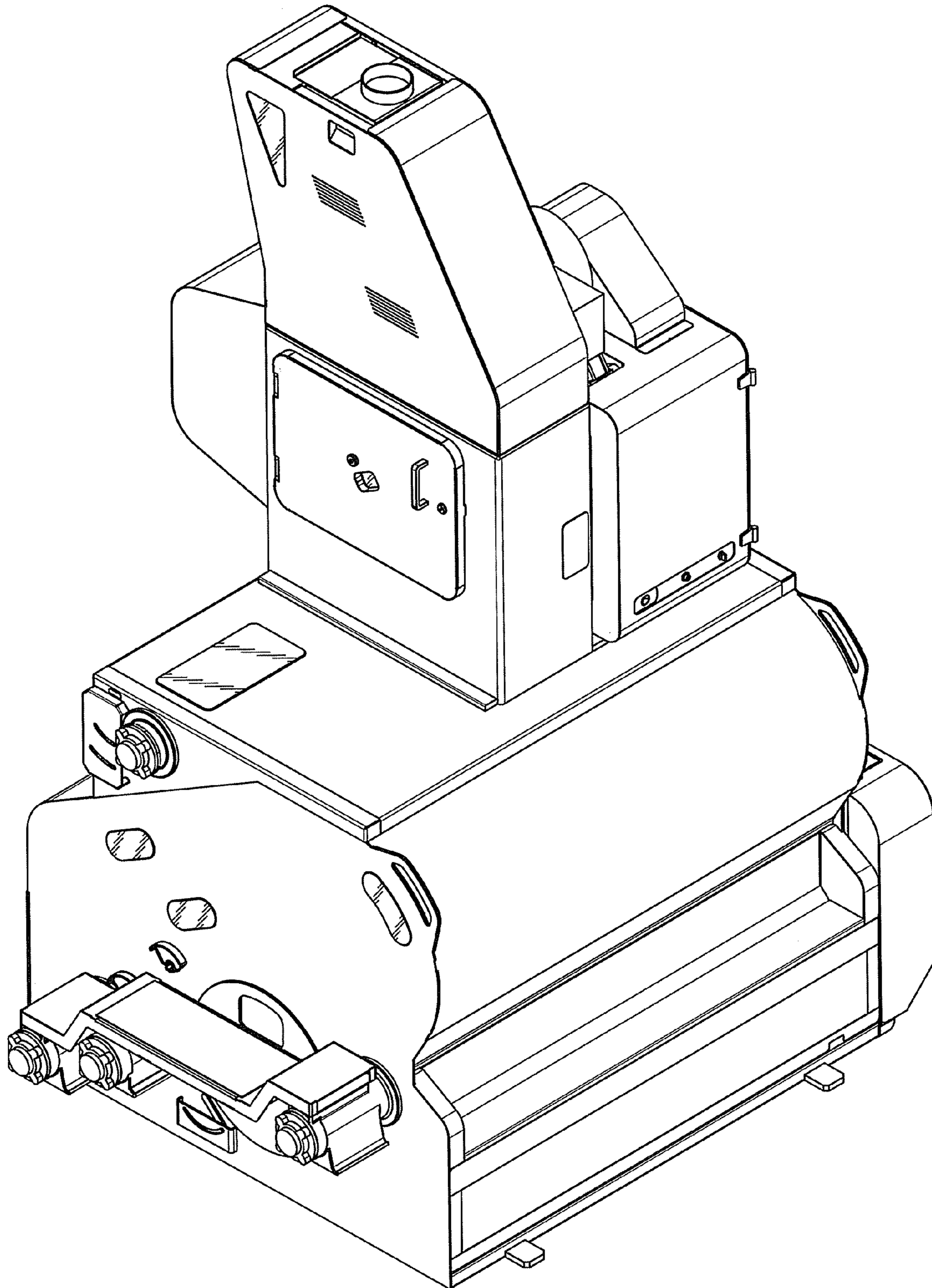


FIG.2

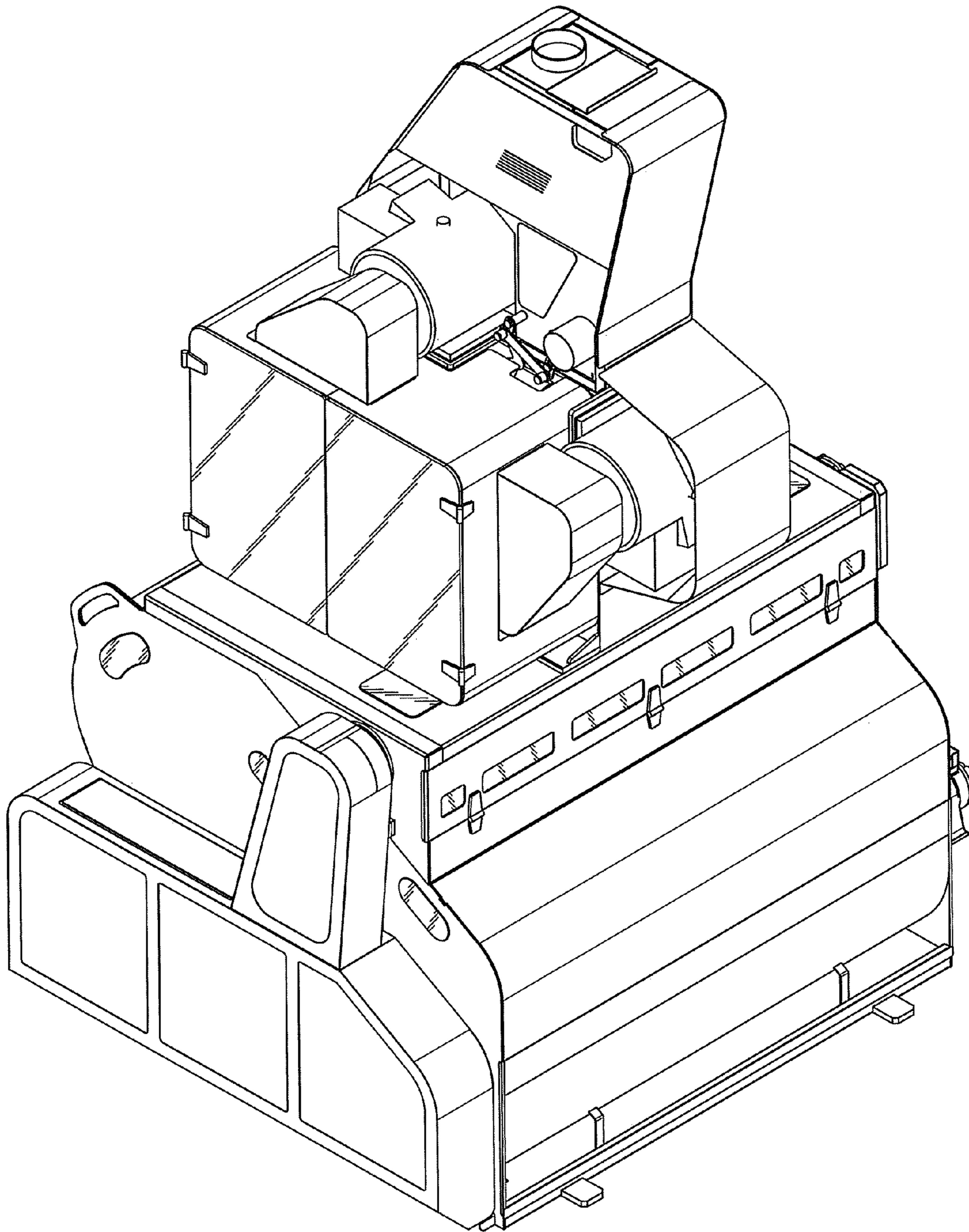


FIG.3

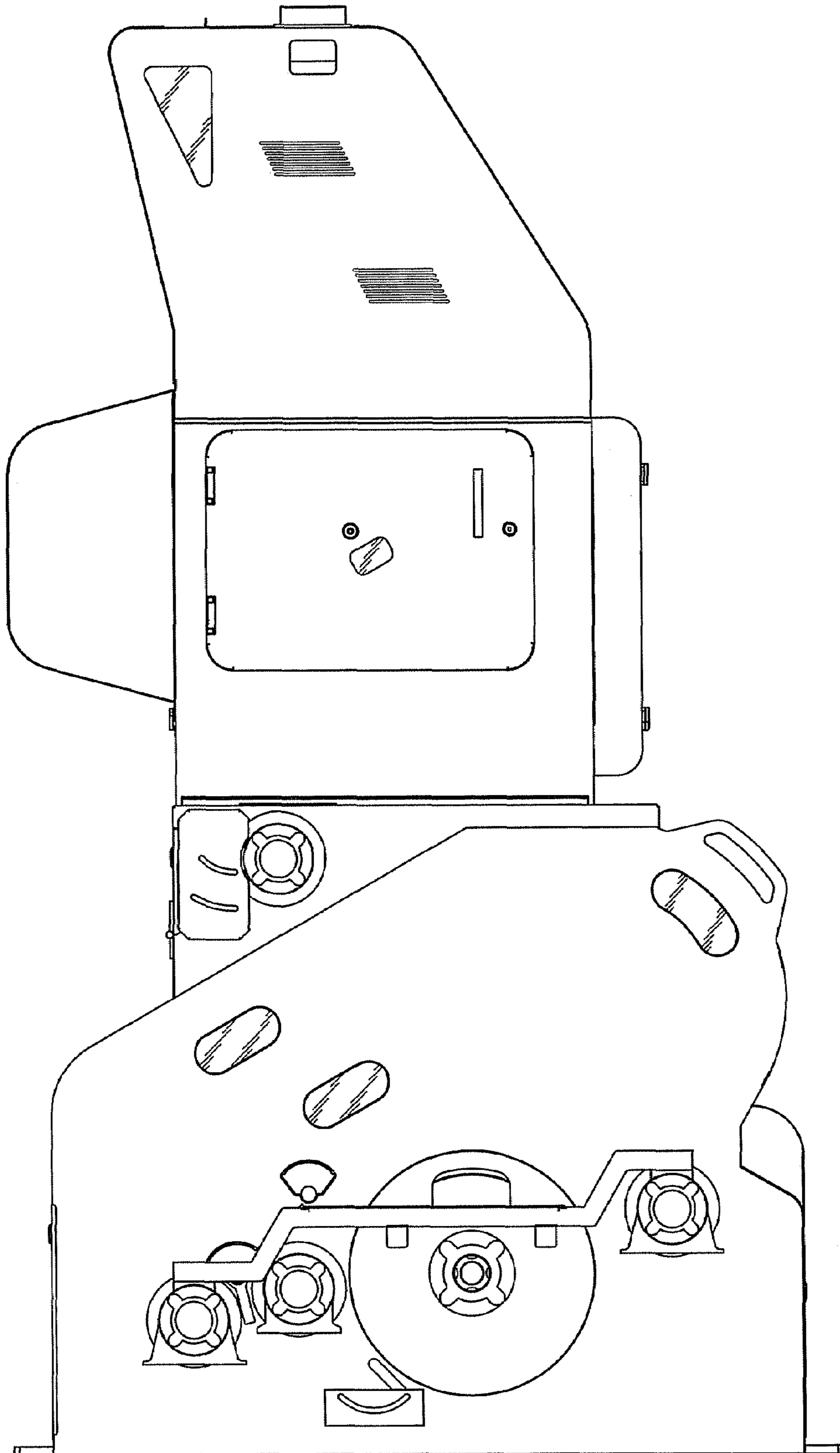


FIG.4

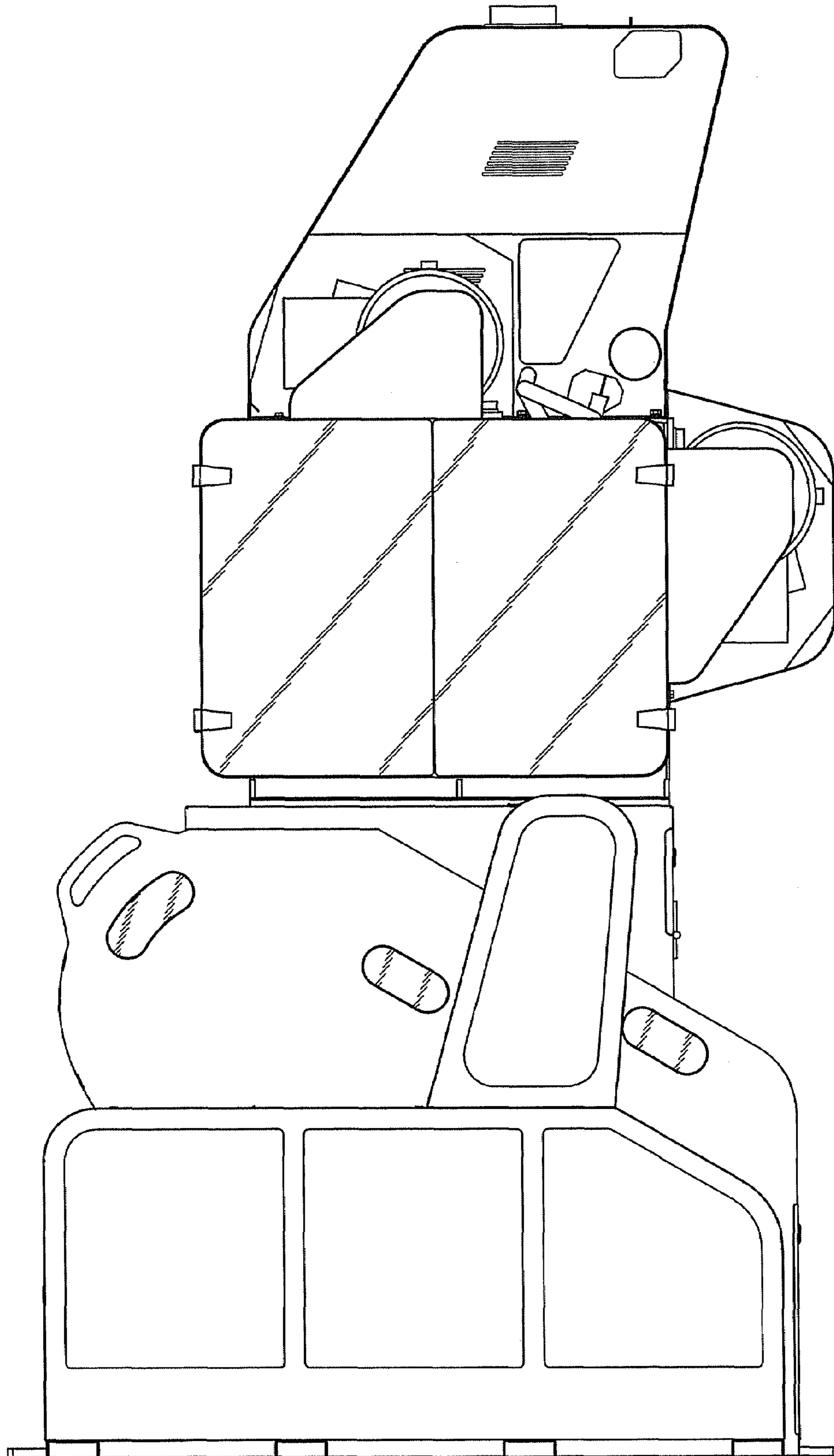


FIG.5

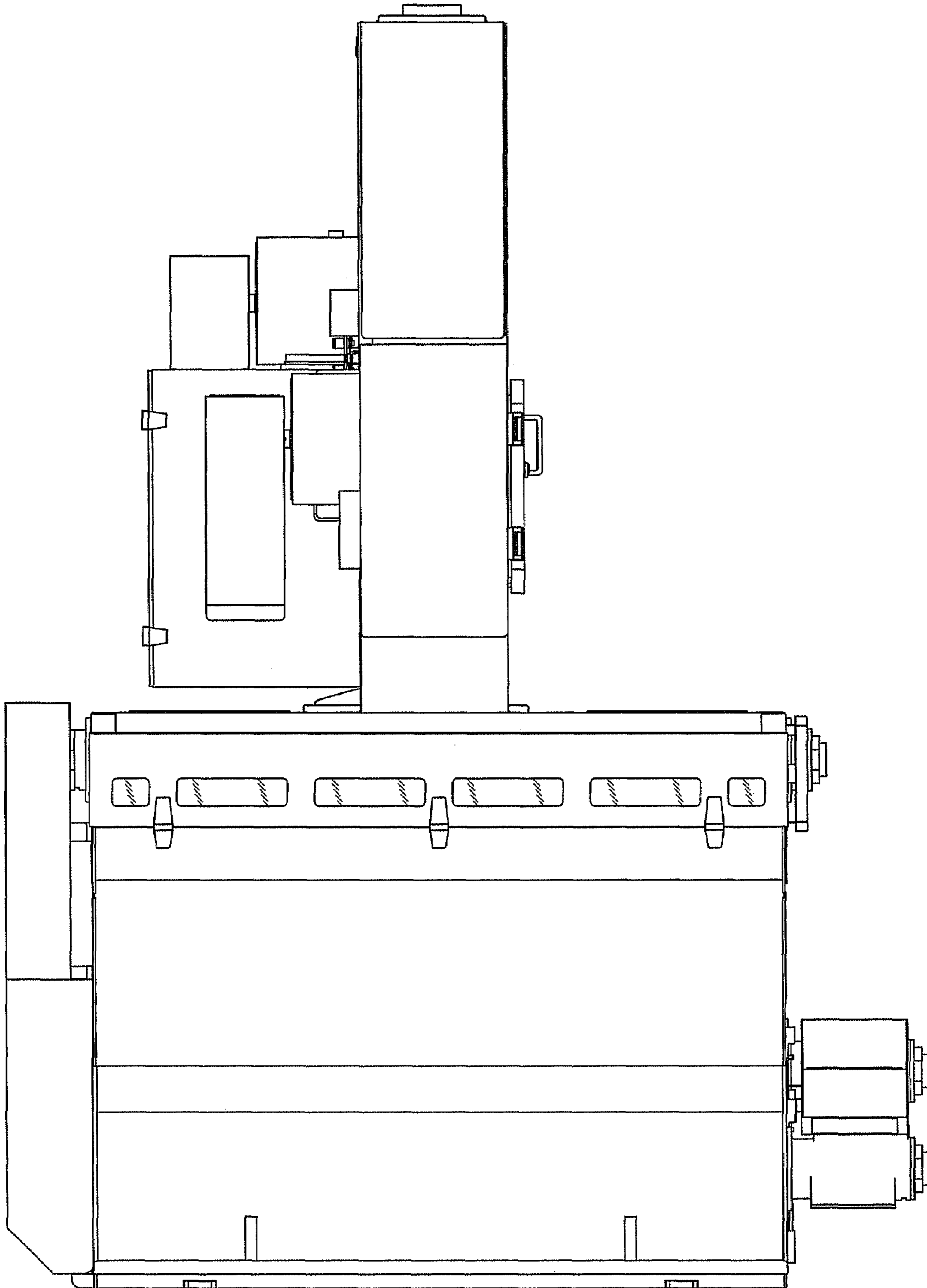


FIG.6

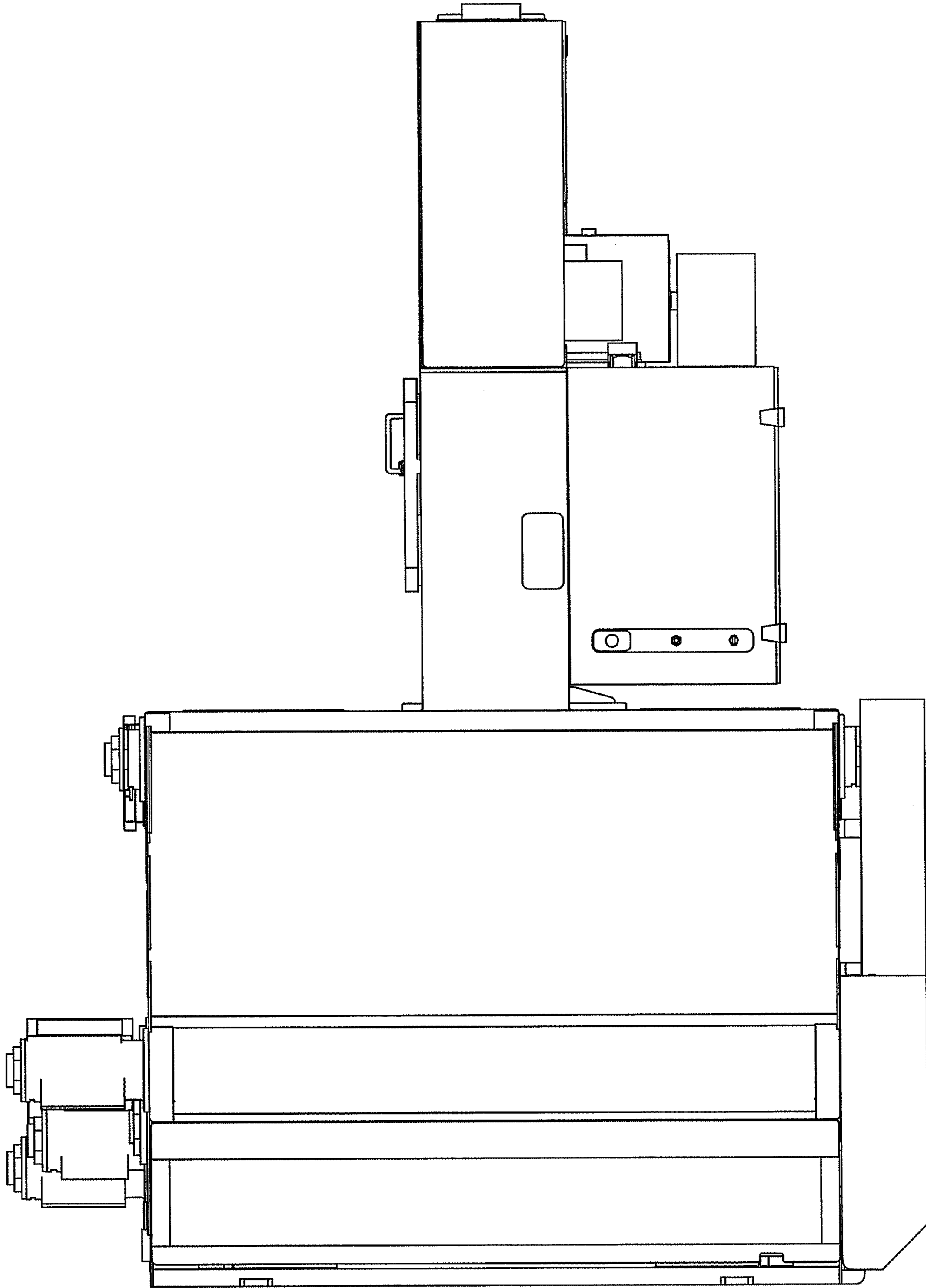


FIG.7

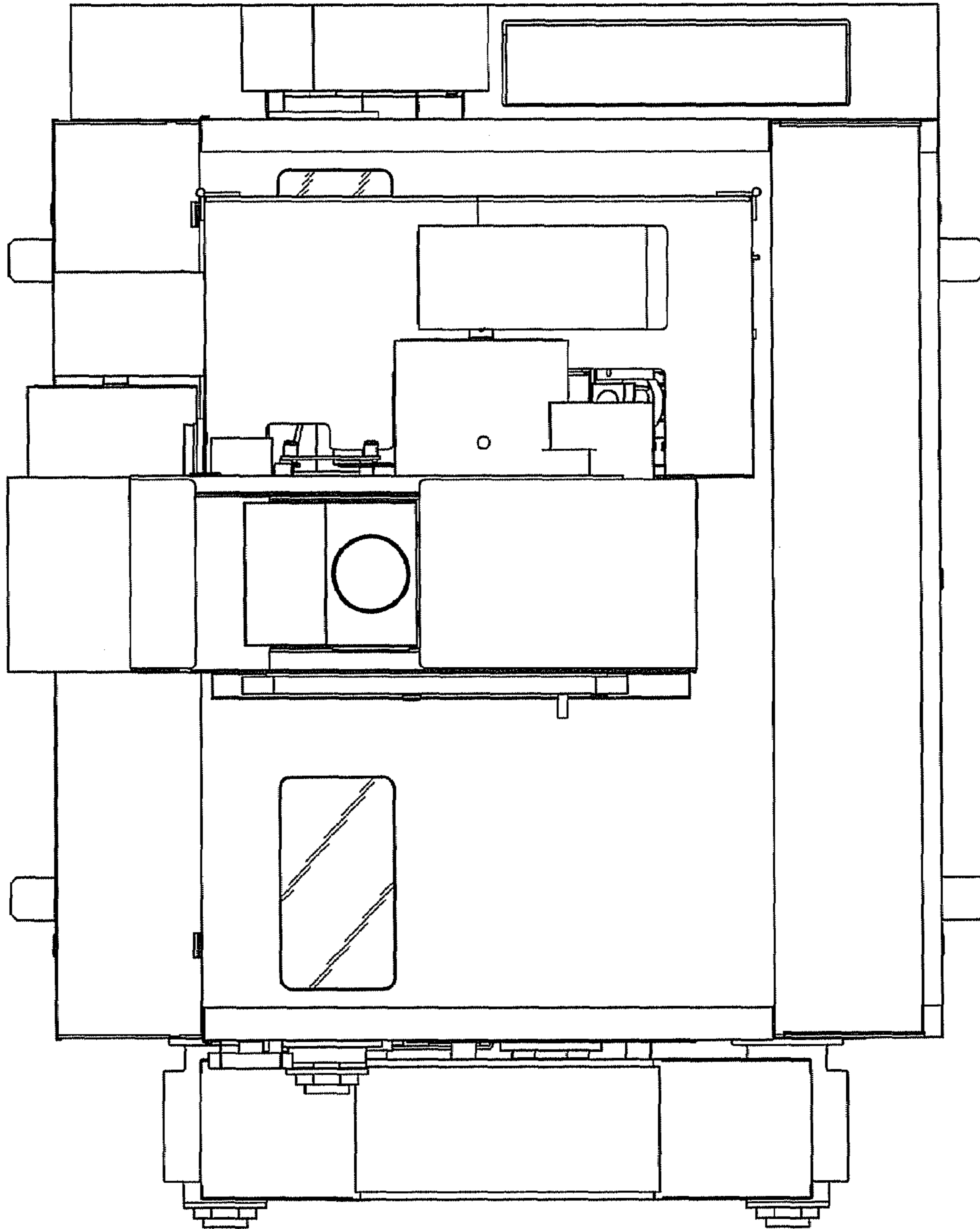




FIG.8

