

US00D549245S

(12) **United States Design Patent**
Antonetti

(10) **Patent No.:** **US D549,245 S**

(45) **Date of Patent:** **** Aug. 21, 2007**

(54) **OFF HIGHWAY MOBILE EQUIPMENT CAB**

(75) Inventor: **Thomas Antonetti**, Fresno, CA (US)

(73) Assignee: **Saf-T-Cab, Inc.**, Fresno, CA (US)

(**) Term: **14 Years**

(21) Appl. No.: **29/266,497**

(22) Filed: **Sep. 22, 2006**

(51) **LOC (8) Cl.** **15-03**

(52) **U.S. Cl.** **D15/30**

(58) **Field of Classification Search** D15/10,
D15/22-26, 28, 30, 33; 180/89.1, 89.12,
180/900; 296/79, 102, 190.08, 190.03; 212/191
See application file for complete search history.

(56) **References Cited**

U.S. PATENT DOCUMENTS

D157,942 S *	4/1950	Collin	D34/37
D176,624 S *	1/1956	McIntosh	D15/30
D237,996 S *	12/1975	Pierre	D15/30
D259,045 S *	4/1981	Mende	D15/30
4,421,188 A	12/1983	Fredriksen		
4,451,079 A	5/1984	Takahashi		
D323,659 S *	2/1992	Jacobsson	D15/30
5,096,253 A *	3/1992	Jo et al.	296/190.1
5,199,193 A	4/1993	Akiba et al.		
5,273,340 A	12/1993	Nelson et al.		
D376,604 S *	12/1996	Johnson	D15/30
5,618,146 A	4/1997	Cooper		
D381,178 S *	7/1997	Feider et al.	D34/33
D389,984 S	1/1998	Johansson		
D391,273 S *	2/1998	Linder	D15/30
D394,069 S *	5/1998	Muranen	D15/30
D398,616 S *	9/1998	Kwak et al.	D15/30
D410,472 S	6/1999	Hinsperger		
D415,772 S	10/1999	Hinsperger		
D427,612 S	7/2000	Shim		
D445,233 S	7/2001	Deroure		
D450,905 S *	11/2001	Deroure	D34/37
D463,461 S *	9/2002	Yanagida et al.	D15/30
D463,462 S *	9/2002	Yanagida et al.	D15/30

D463,807 S *	10/2002	Tamaru et al.	D15/30
D471,213 S *	3/2003	Kwak et al.	D15/30
6,568,746 B2 *	5/2003	Sakyo et al.	296/190.08
D479,536 S *	9/2003	Dahl et al.	D15/30
D481,044 S *	10/2003	Tokach et al.	D15/30
D494,986 S *	8/2004	Tokach et al.	D15/30
D497,920 S	11/2004	Antonetti		
D505,432 S	5/2005	Antonetti		
7,004,275 B1	2/2006	Junga et al.		
2002/0040820 A1 *	4/2002	Takano et al.	180/89.19
2002/0153748 A1 *	10/2002	Sakyo et al.	296/190.08
2003/0217984 A1 *	11/2003	Lissandre	212/291
2004/0104060 A1 *	6/2004	Mori et al.	180/89.12

OTHER PUBLICATIONS

Brochure by KOBELCO re Dynamic Acera Hydraulic Excavator; 9 pages; 2003.

(Continued)

Primary Examiner—Stella Reid
Assistant Examiner—Mark Goodwin
(74) *Attorney, Agent, or Firm*—Mark D. Miller

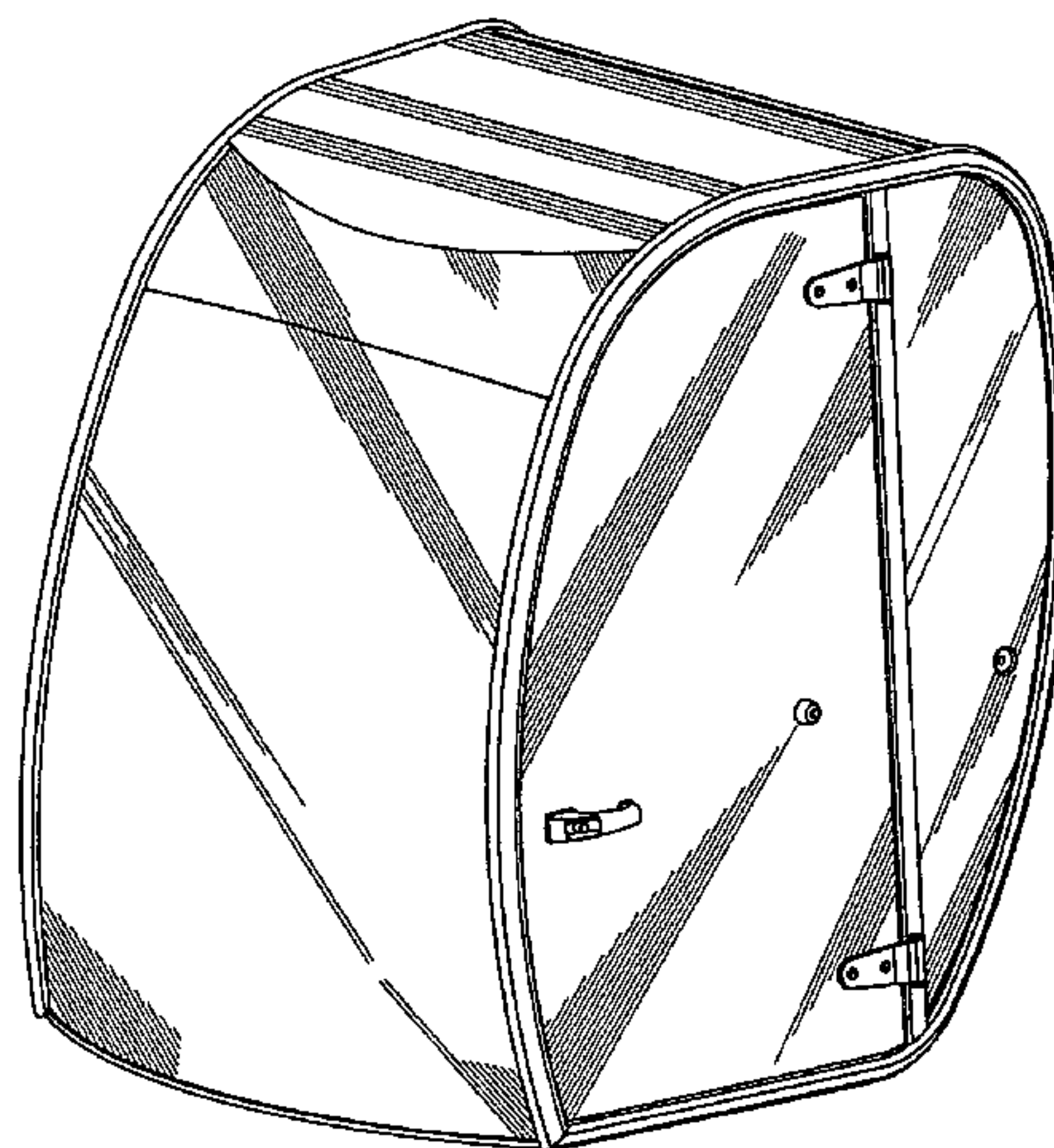
(57) **CLAIM**

I claim the ornamental design for an off highway mobile equipment cab, as shown.

DESCRIPTION

FIG. 1 is a front perspective view of the off highway mobile equipment cab showing my new design;
FIG. 2 is a front perspective view of the off highway mobile equipment cab with the door in open condition;
FIG. 3 is a front elevational view of FIG. 1;
FIG. 4 is a rear elevational view thereof;
FIG. 5 is a top plan view thereof;
FIG. 6 is a bottom plan view thereof;
FIG. 7 is a left side elevational view thereof; and,
FIG. 8 is a right side elevational view thereof.

1 Claim, 4 Drawing Sheets



OTHER PUBLICATIONS

Photographs of Ingersall Rand Road Machinery; 2 photos on 1 page; May 2003.

Caterpillar - products - machines - wheel loaders [online] [retrieved Nov. 12, 2003] from Caterpillar website; <URL <http://www.cat.com>>; 3 pages.

Caterpillar - products - machines - compactors [online] [retrieved Nov. 12, 2003] from Caterpillar website; <URL <http://www.cat.com>>; 2 pages.

Hamm Compactors - asphalt [online] [Retrieved Nov. 12, 2003] from Hamm Compactors website; <URL <http://www.hammcompactors.com>>; 2 pages.

Hamm Compactors - soil [online] [Retrieved Nov. 12, 2003] from Hamm Compactors website; <URL <http://www.hammcompactors.com>>; 1 page.

Construction Machinery Industrial - products - wheel loaders [online] [retrieved Nov. 12, 2003] from Volvo website <URL <http://www.volvo.com>>; 2 pages.

Manitou - United Kingdom [online] [retrieved Nov. 12, 2003] from Manitou website; <URL <http://www.manitou.com>>; 2 pages.

John Deere Brochure re New Telehandlers 3000 Series; 16 pages, 2005.

JLG Industries (Europe) Brochure re JLG 3500 & 4000 Series Telescopic Handlers; 6 pages, 2005.

* cited by examiner

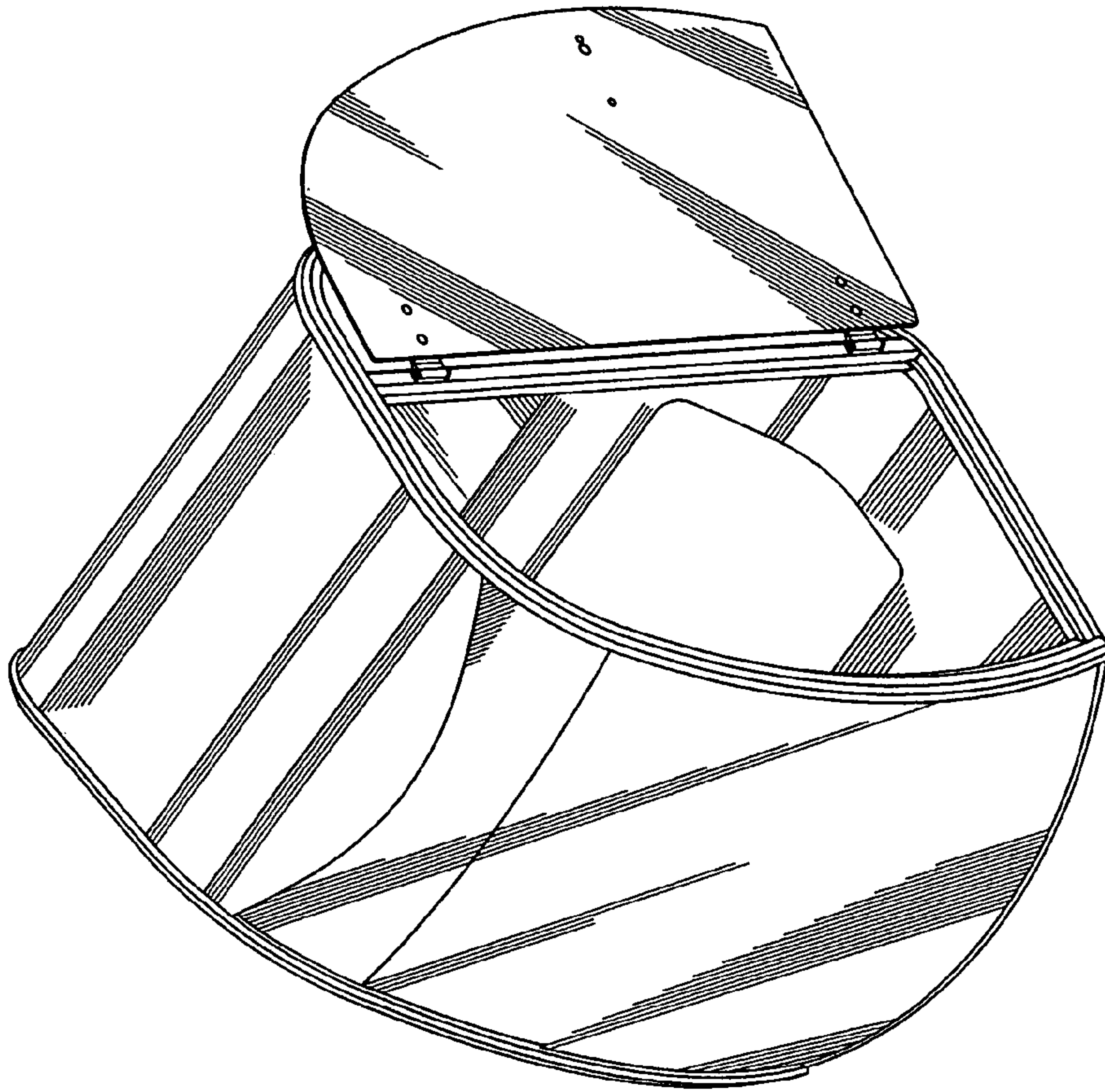


FIG. 2

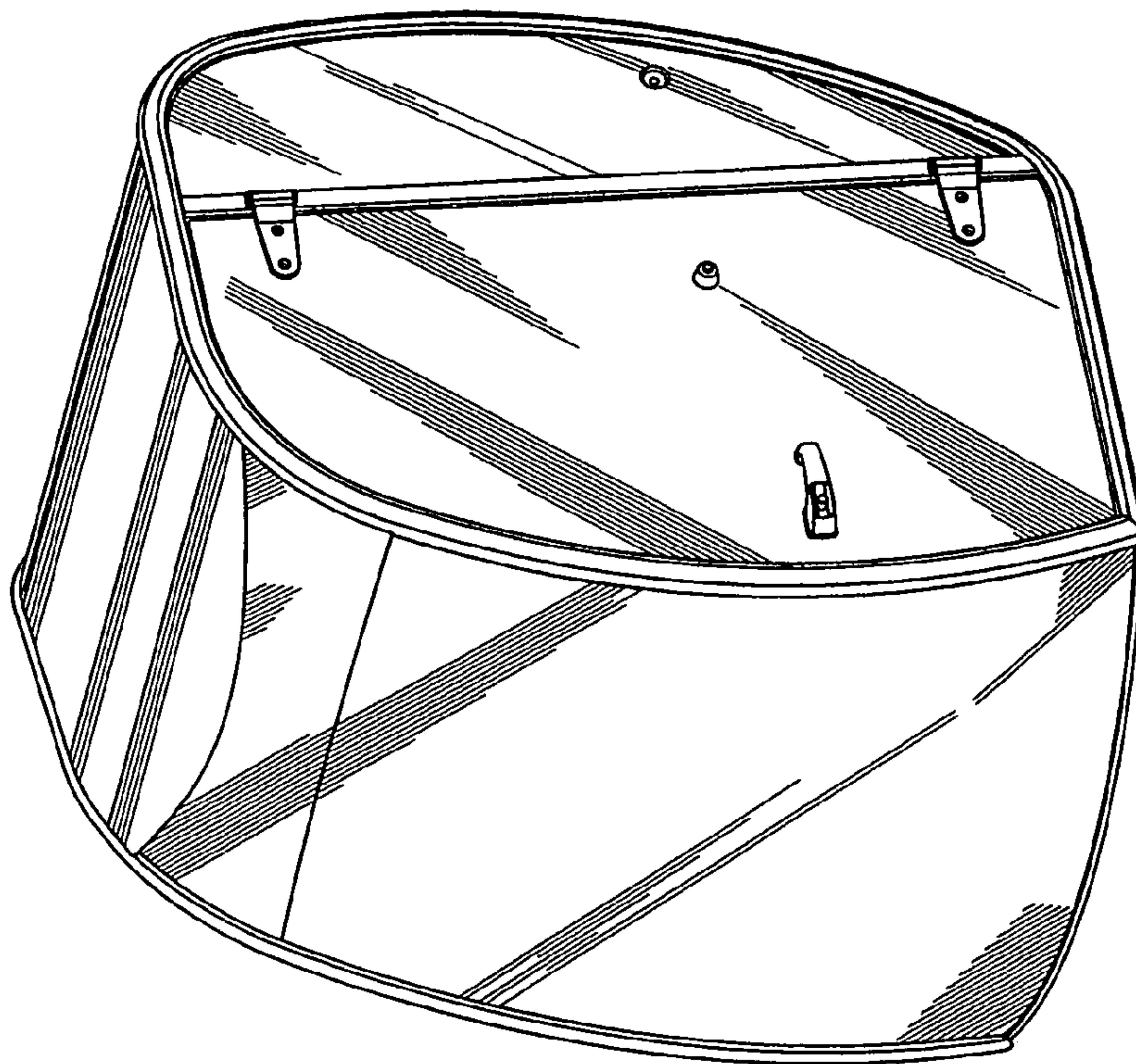


FIG. 1

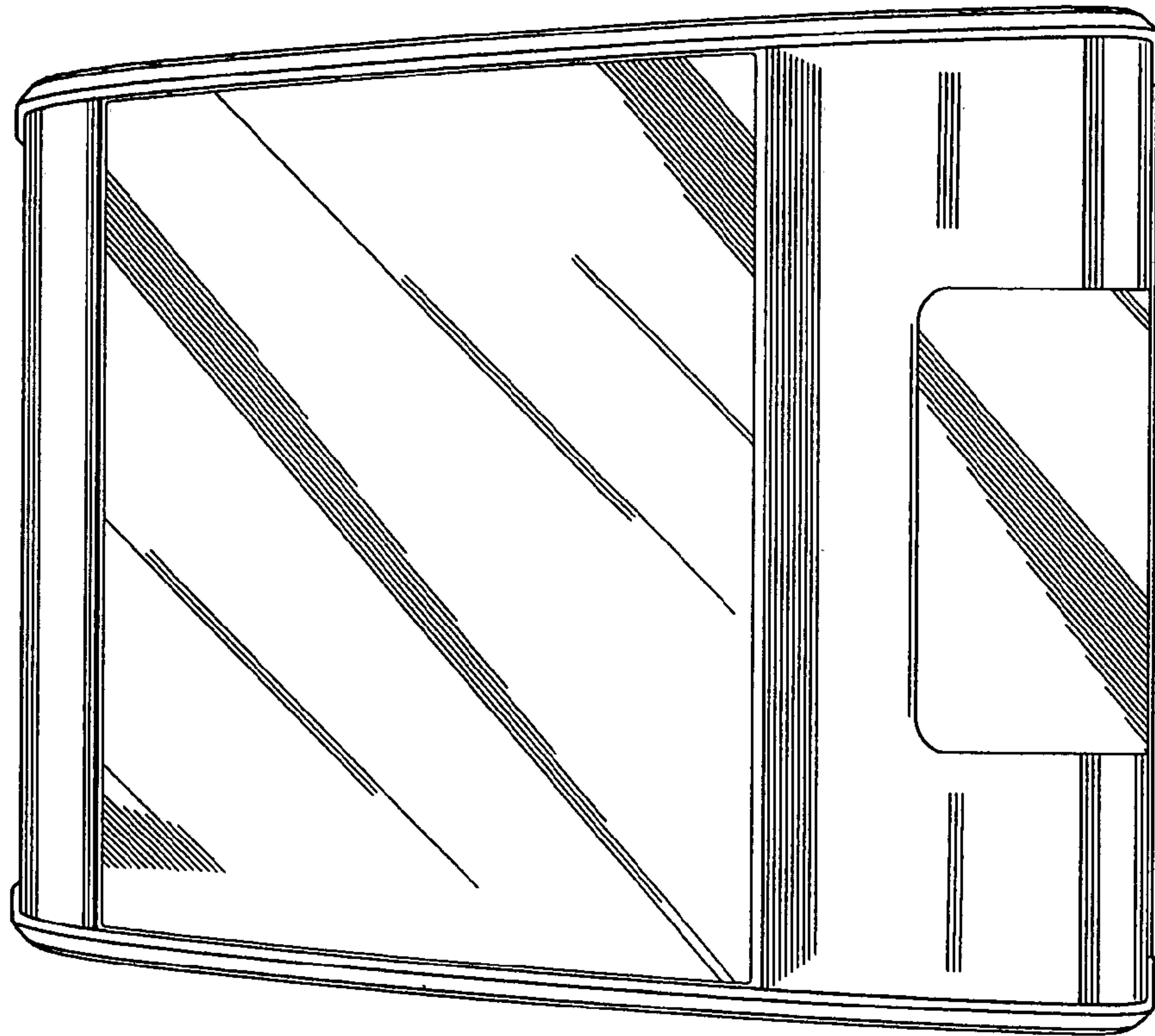


FIG. 4

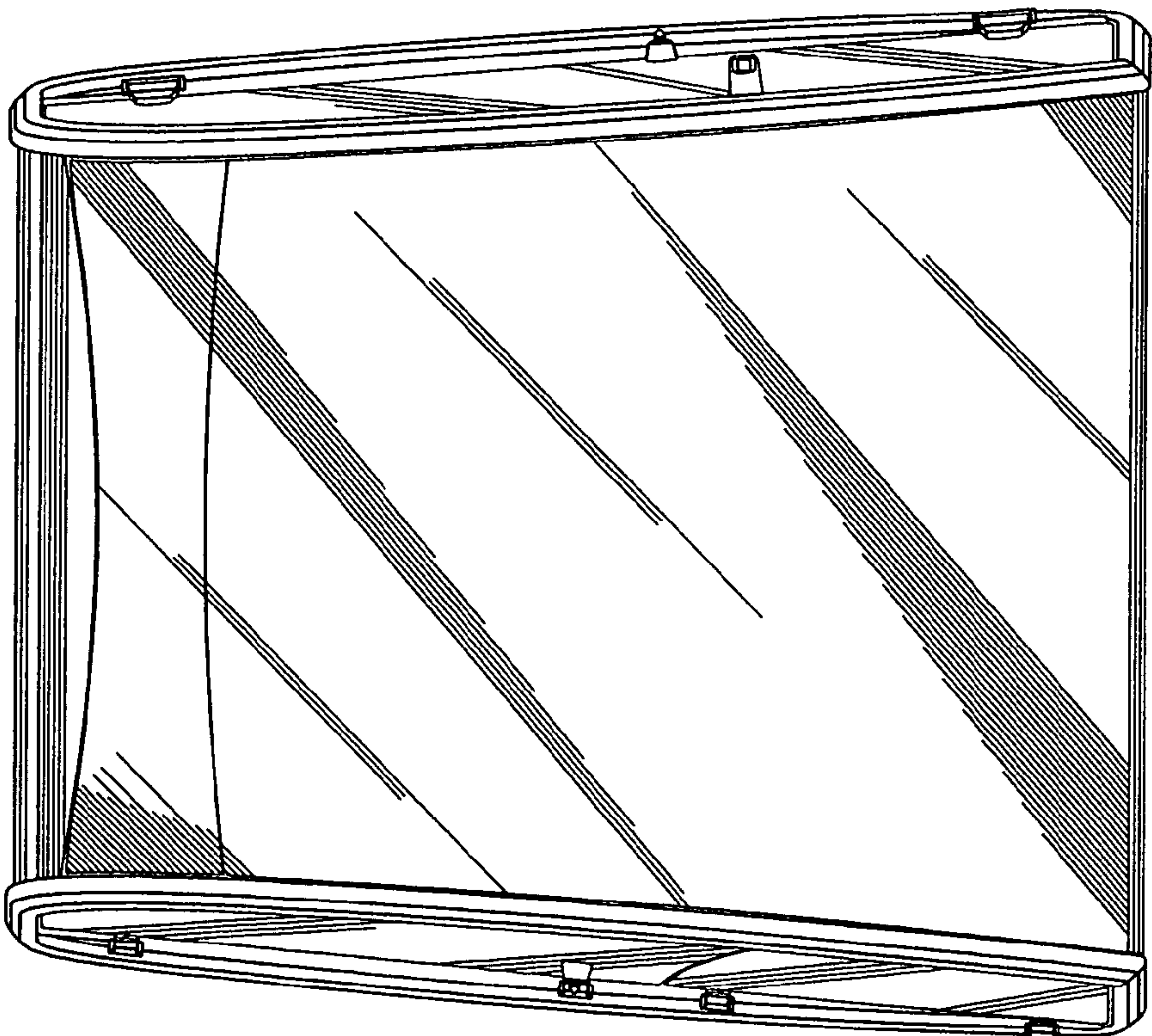


FIG. 3

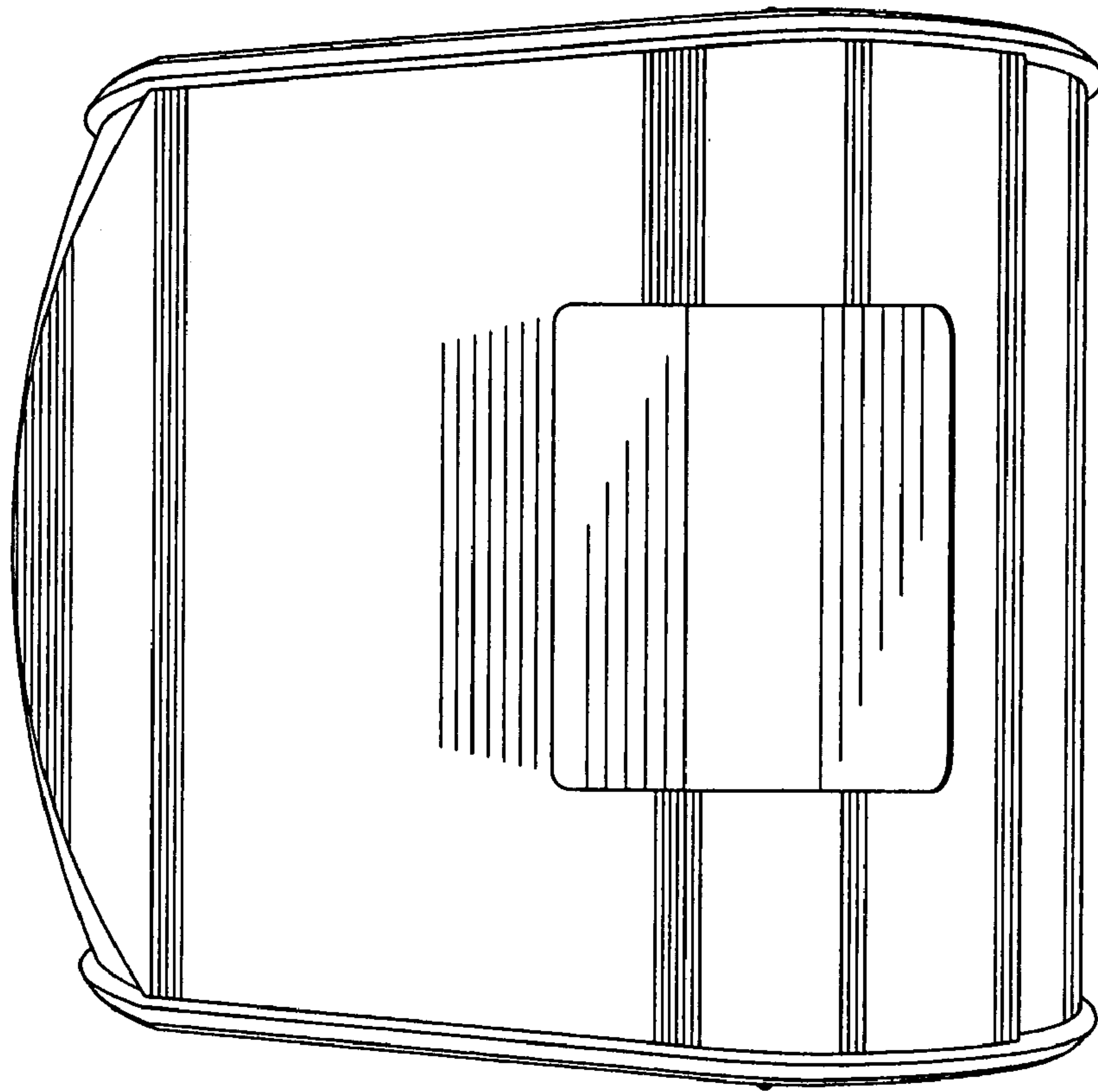


FIG. 6

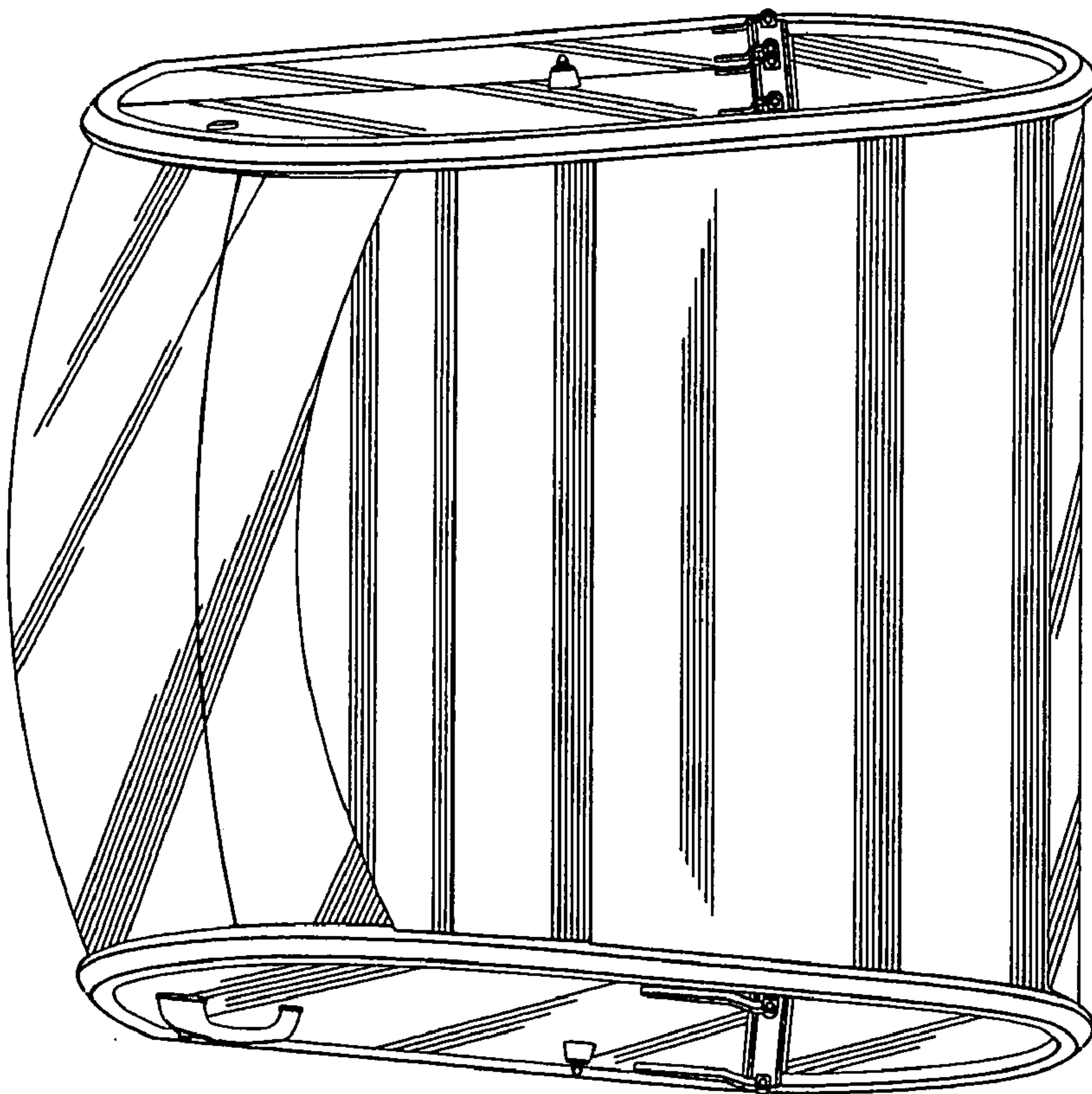


FIG. 5

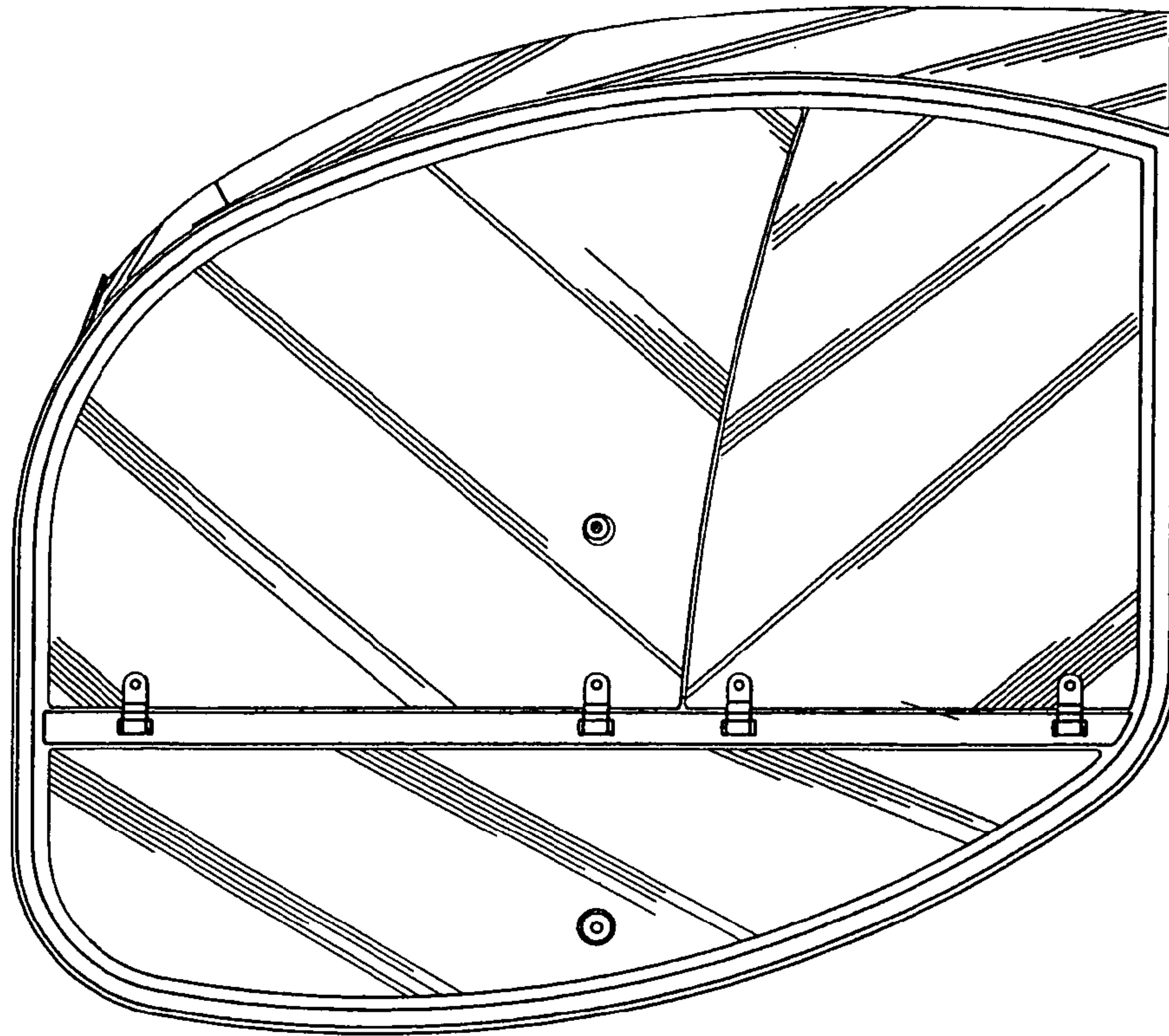


FIG. 8

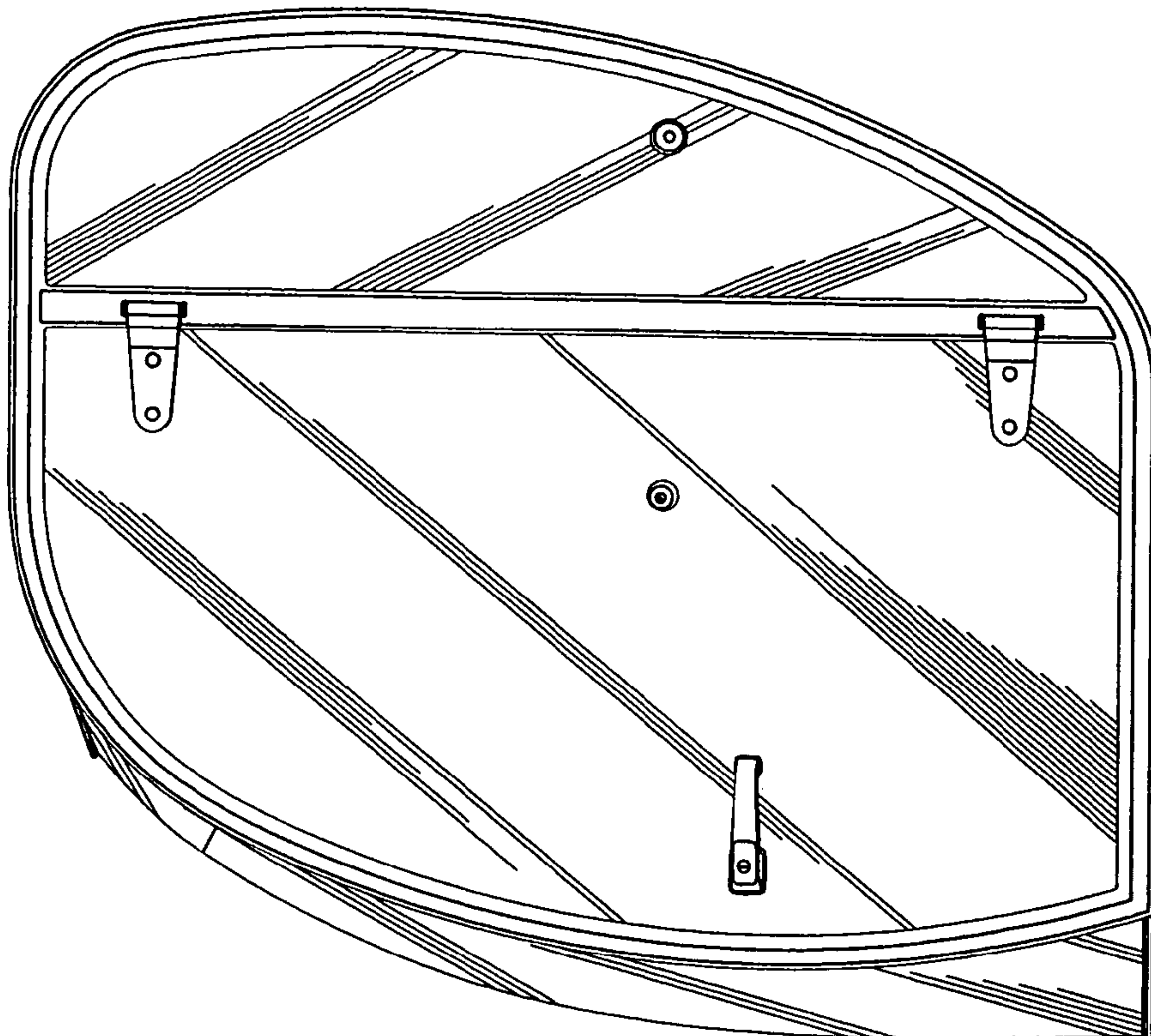


FIG. 7