

US00D549243S

(12) **United States Design Patent**
Tatsuno

(10) **Patent No.:** **US D549,243 S**

(45) **Date of Patent:** **** Aug. 21, 2007**

(54) **FUEL DISPENSER**

FOREIGN PATENT DOCUMENTS

(75) Inventor: **Hiyoshi Tatsuno**, Tokyo (JP)

JP D1224957 12/2004

(73) Assignee: **Tatsuno Corporation**, Tokyo (JP)

* cited by examiner

(**) Term: **14 Years**

Primary Examiner—Antoine D. Davis

Assistant Examiner—Patricia Palasik

(21) Appl. No.: **29/257,625**

(74) *Attorney, Agent, or Firm*—Jordan and Hamburg LLP

(22) Filed: **Apr. 7, 2006**

(57) **CLAIM**

(51) **LOC (8) Cl.** **15-02**

The ornamental design for a fuel dispenser, as shown and described.

(52) **U.S. Cl.** **D15/9.2; D15/151**

DESCRIPTION

(58) **Field of Classification Search** D14/105;
D15/9.1–9.3, 150–151; D25/56; D99/43;
137/234.6; 222/25, 71, 74, 383.1; 364/528.17
See application file for complete search history.

FIG. 1 is a front elevational view of a fuel dispenser, showing my new design;

FIG. 2 is a right-side elevational view thereof;

FIG. 3 is a rear elevational view thereof;

FIG. 4 is a left-side elevational view thereof;

FIG. 5 is a top plan view thereof;

FIG. 6 is a bottom plan view thereof;

FIG. 7 is a cross-sectional view thereof taken along line A-A of FIG. 1; and,

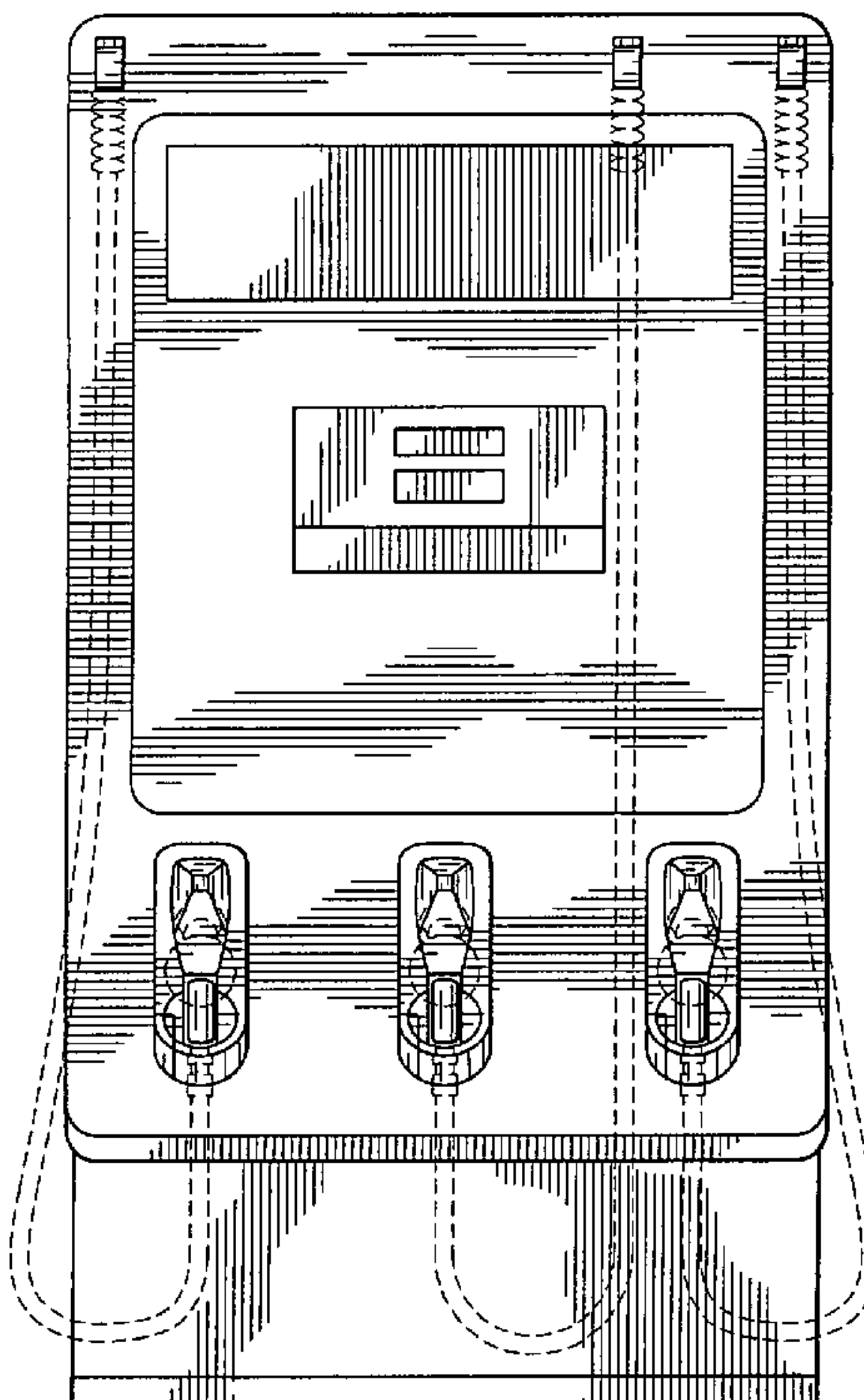
FIG. 8 is a front lateral view of the fuel dispenser, including the environment of the article embodying the design as it would be used, the environment including a hose, a hose connector and a handle illustrated in broken lines.

(56) **References Cited**

U.S. PATENT DOCUMENTS

D262,971 S *	2/1982	Robinson et al.	D15/9.2
4,576,312 A *	3/1986	Swick, Jr.	222/27
D309,144 S *	7/1990	Austin et al.	D15/9.2
D395,052 S *	6/1998	Krone et al.	D15/9.1
D420,684 S *	2/2000	Wilson et al.	D15/9.2
D427,204 S *	6/2000	Freudenberg et al.	D15/9.2
D430,170 S *	8/2000	Taylor et al.	D15/9.1
D438,216 S *	2/2001	Taylor et al.	D15/9.1
2001/0030199 A1 *	10/2001	DiRocco	222/71

1 Claim, 8 Drawing Sheets



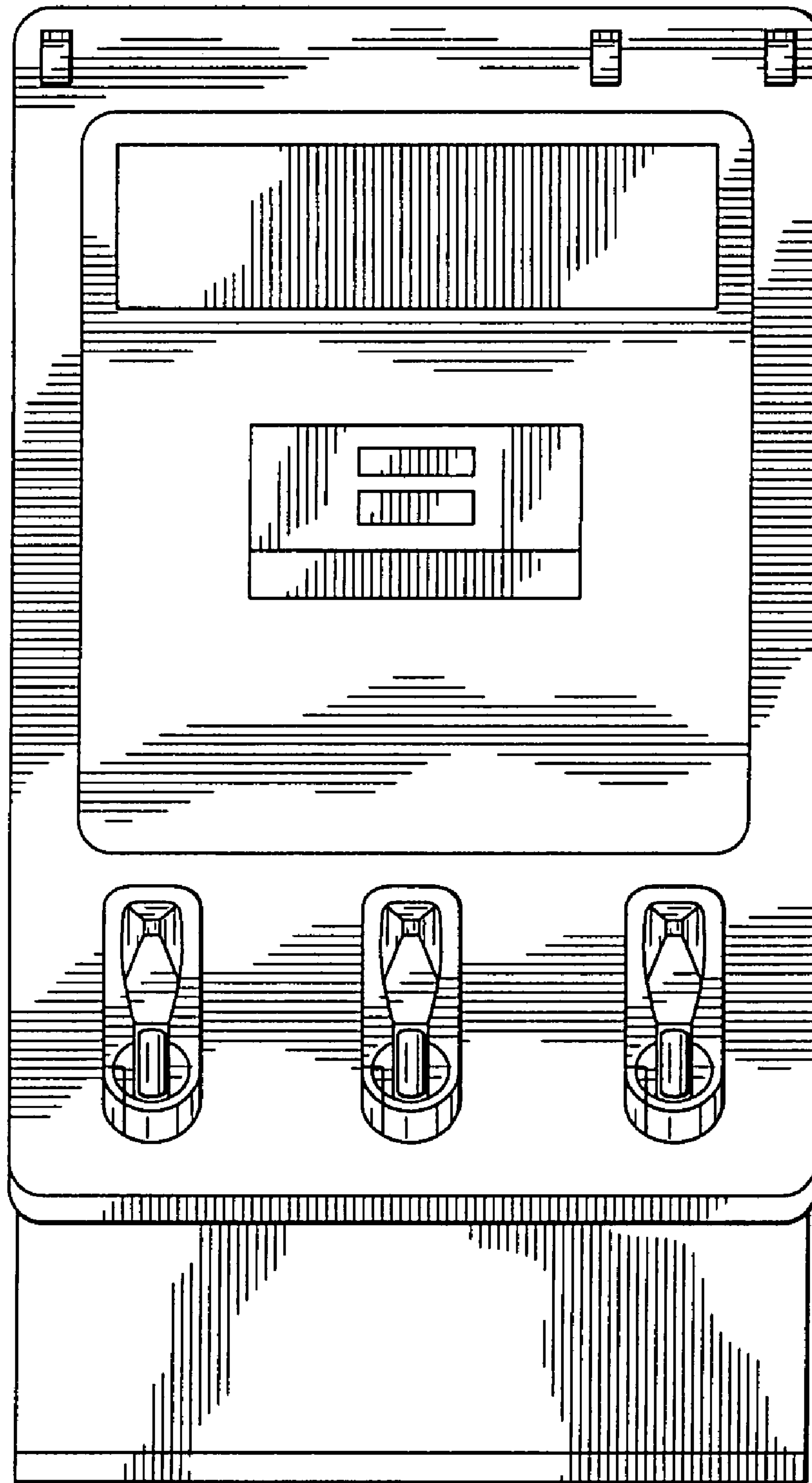


FIG. 1

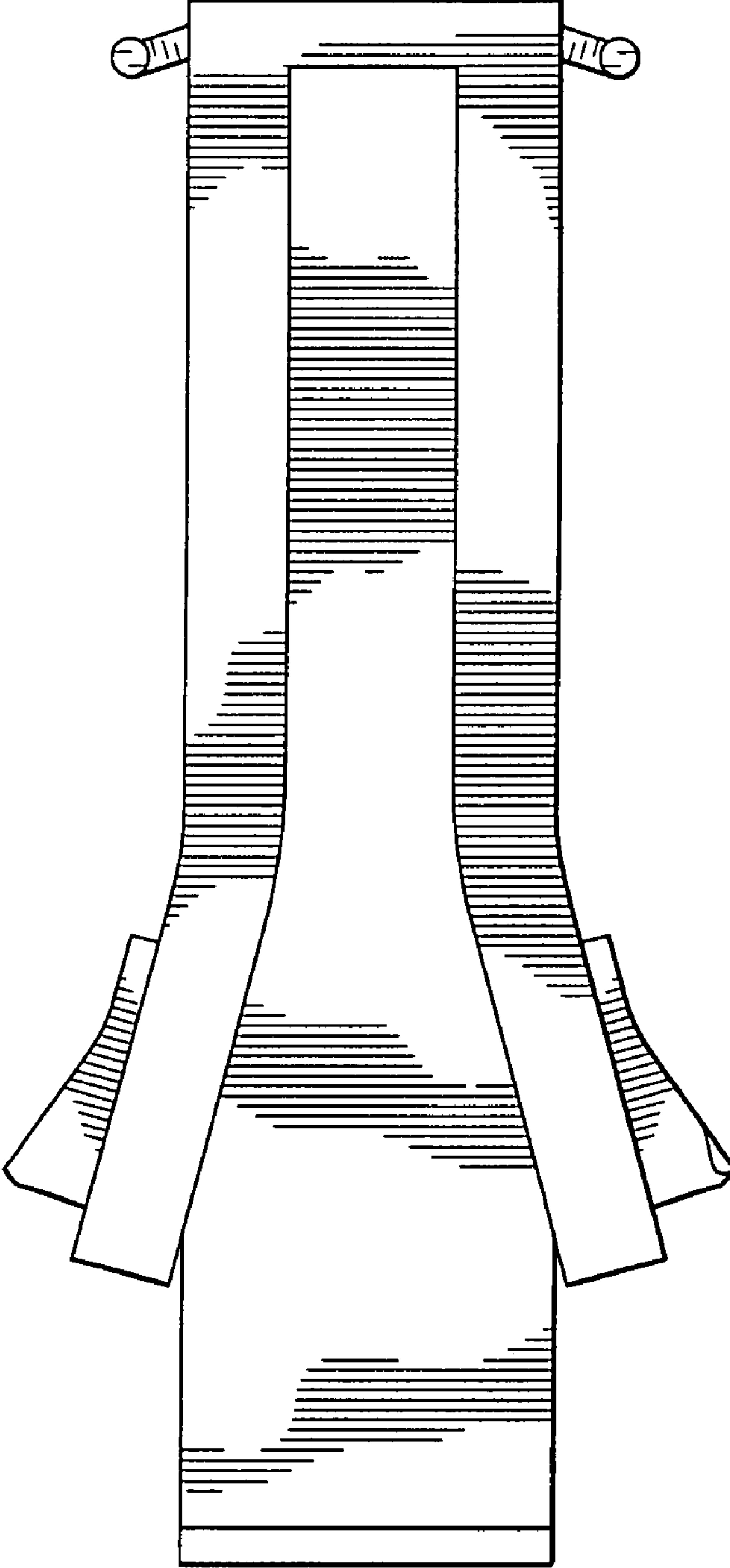


FIG. 2

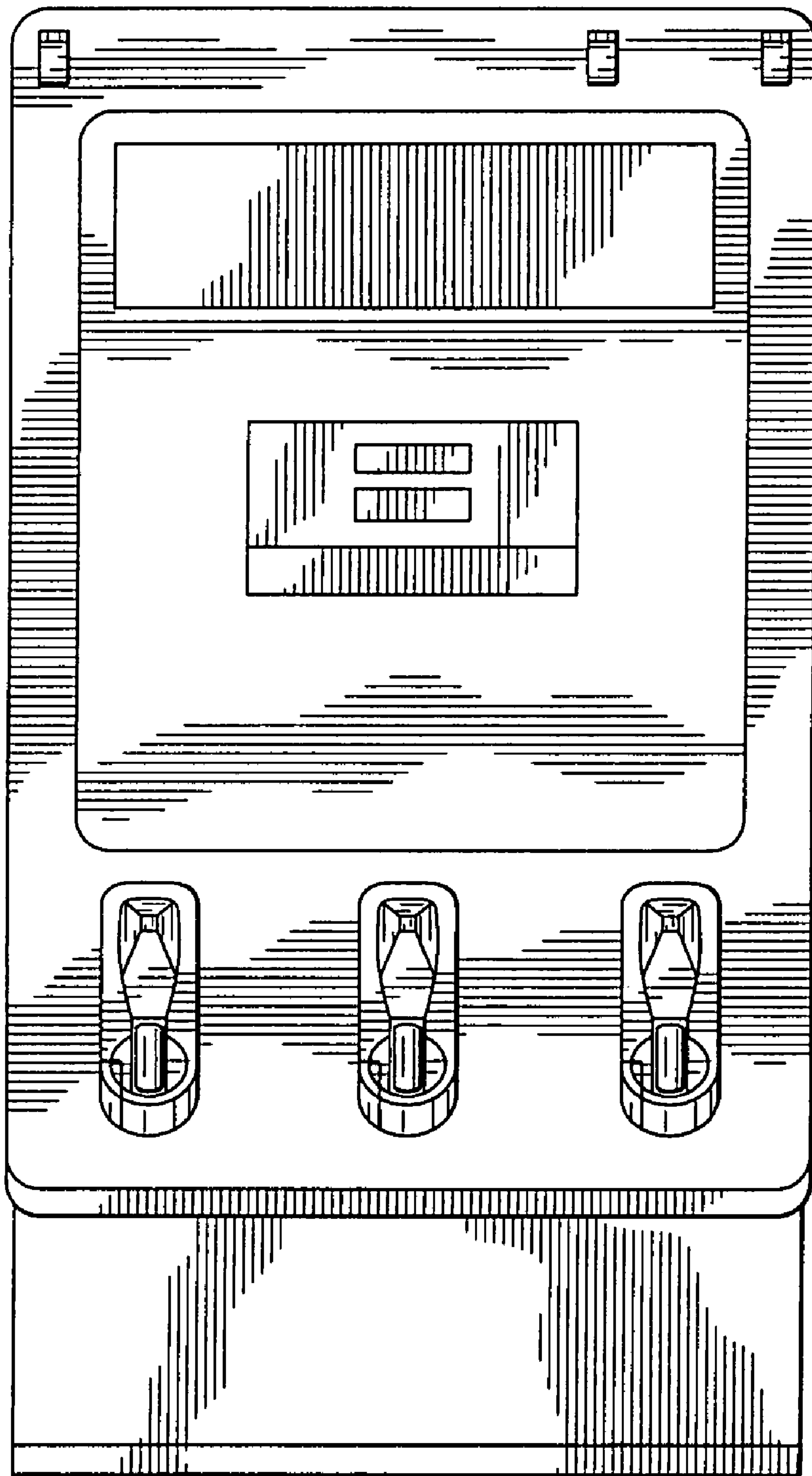


FIG. 3

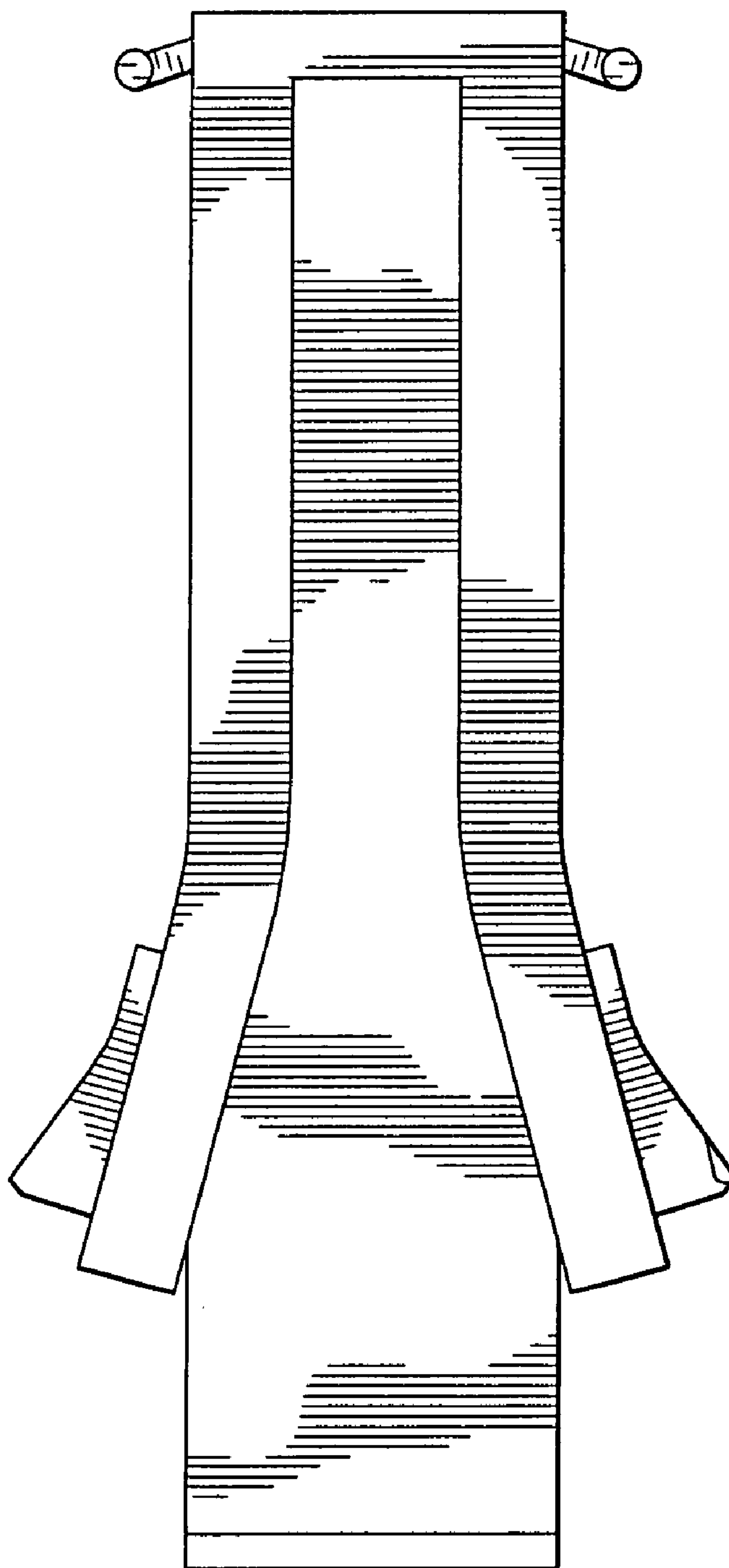


FIG. 4

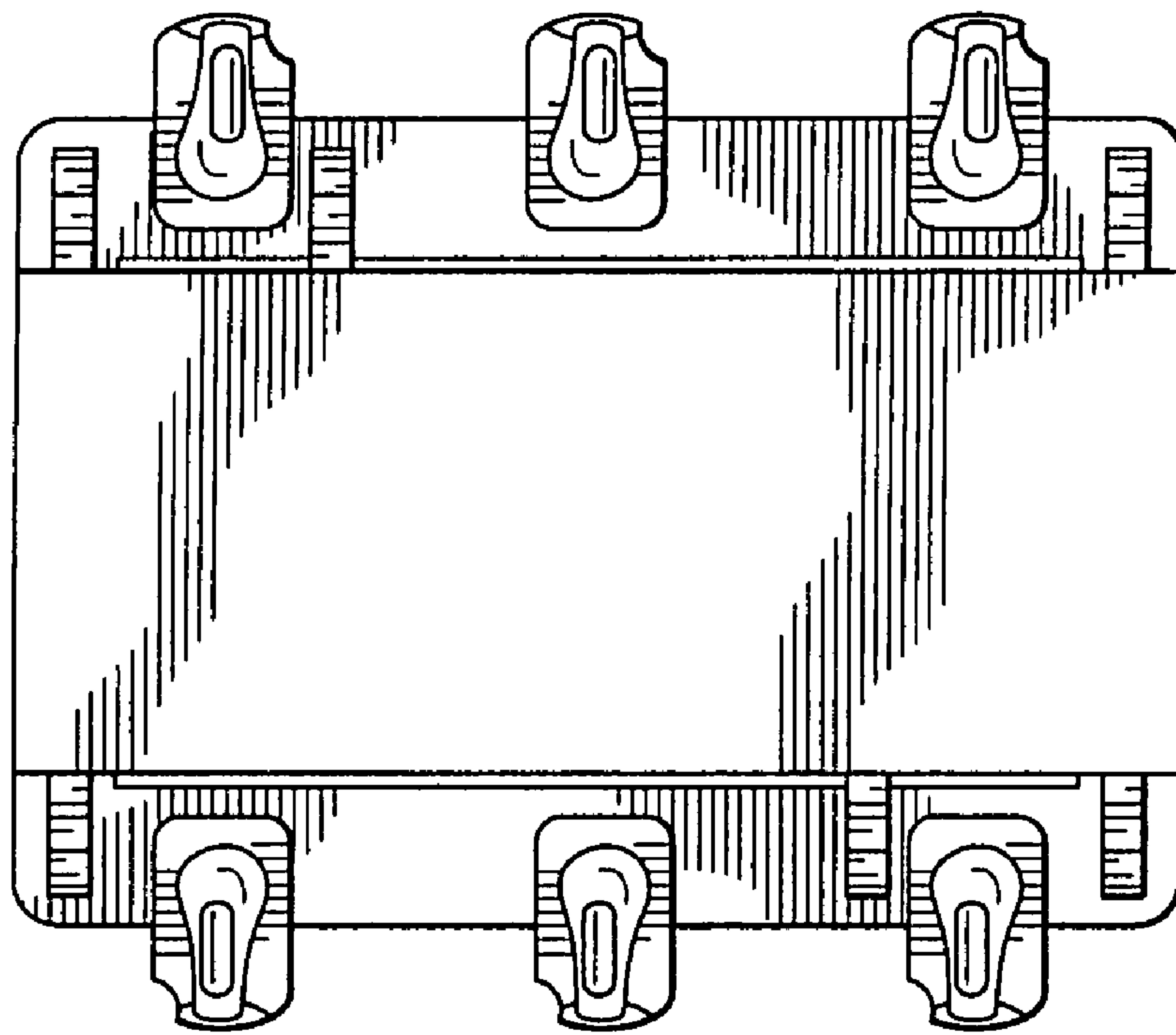


FIG. 5

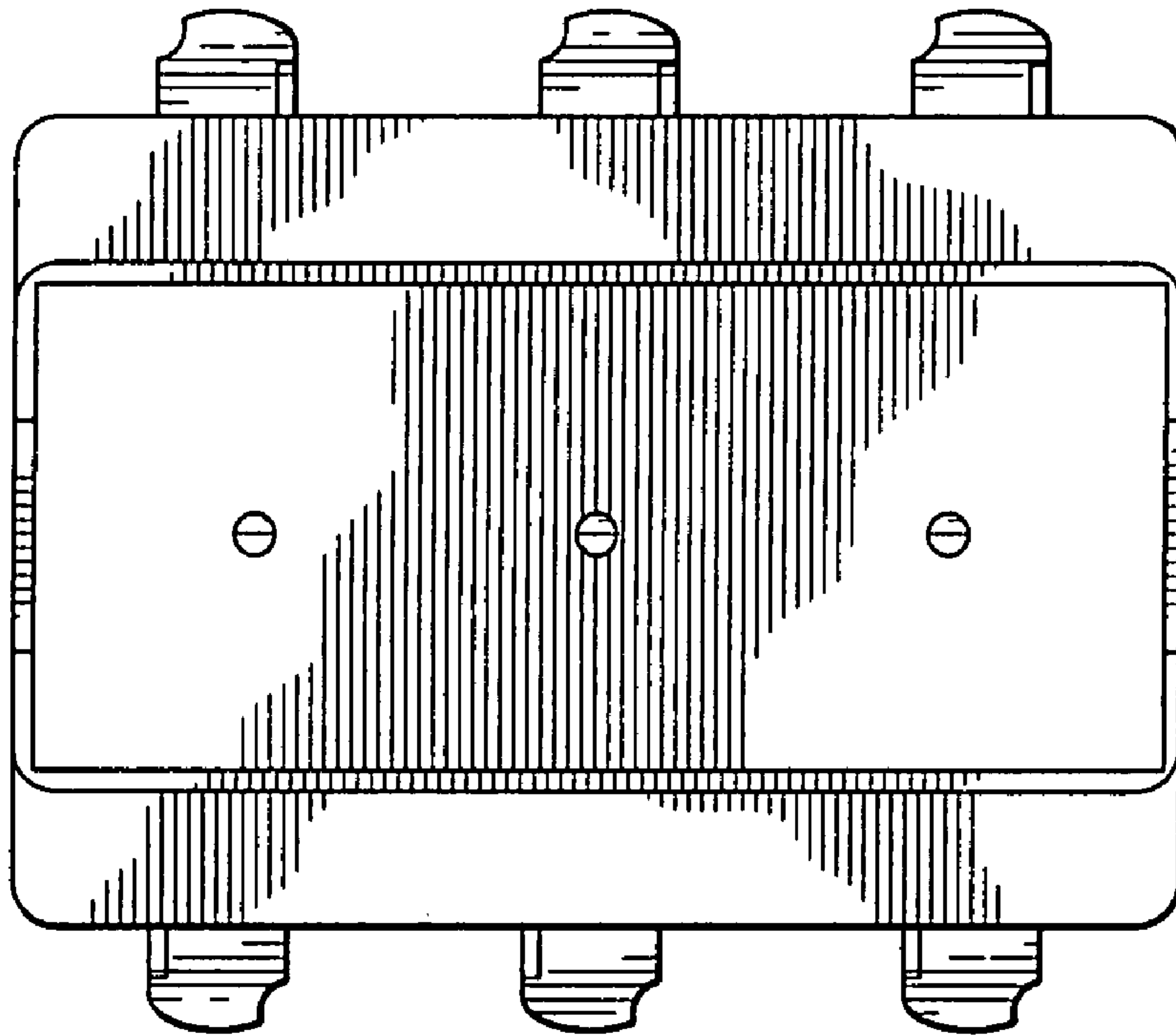


FIG. 6

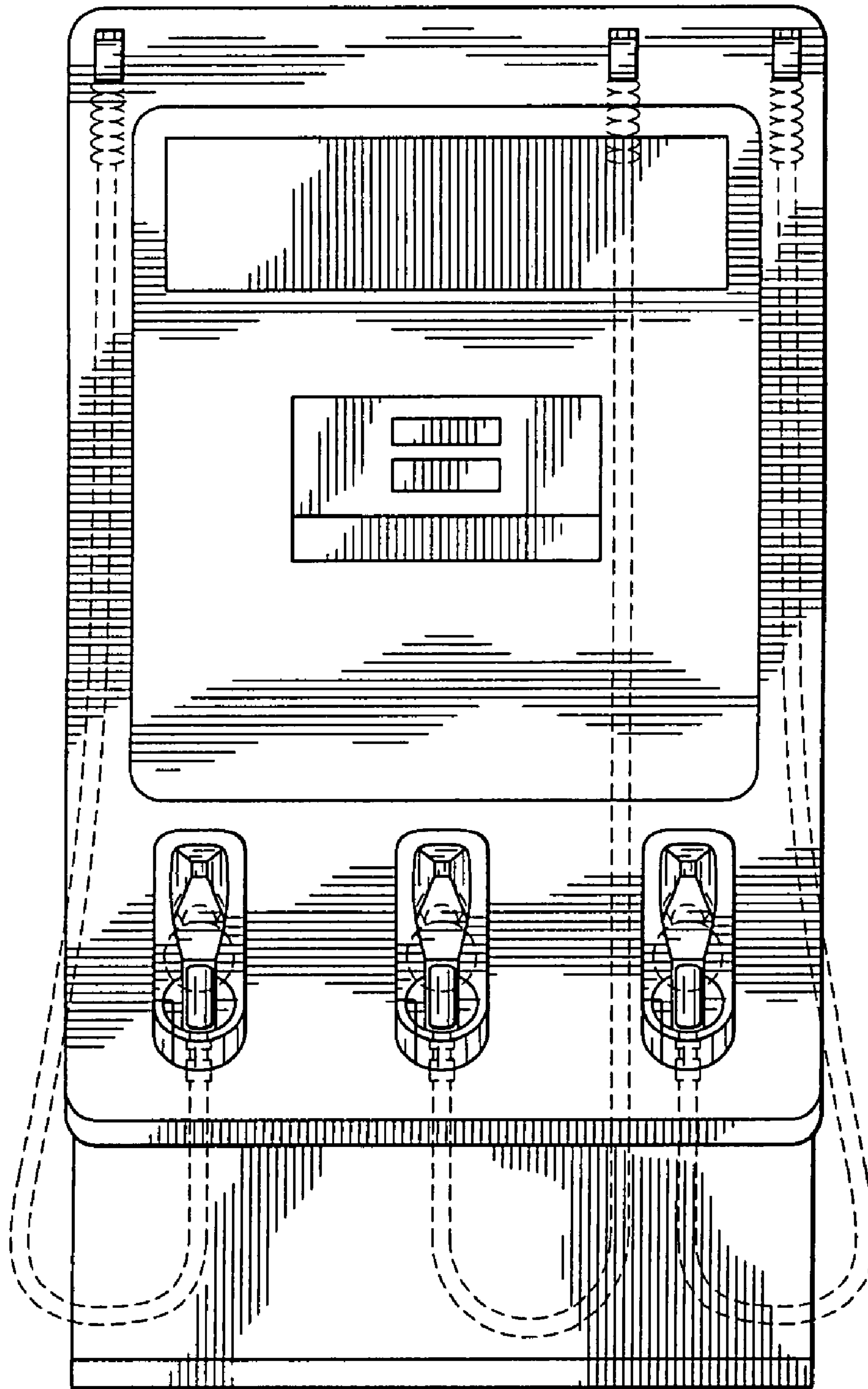


FIG. 7

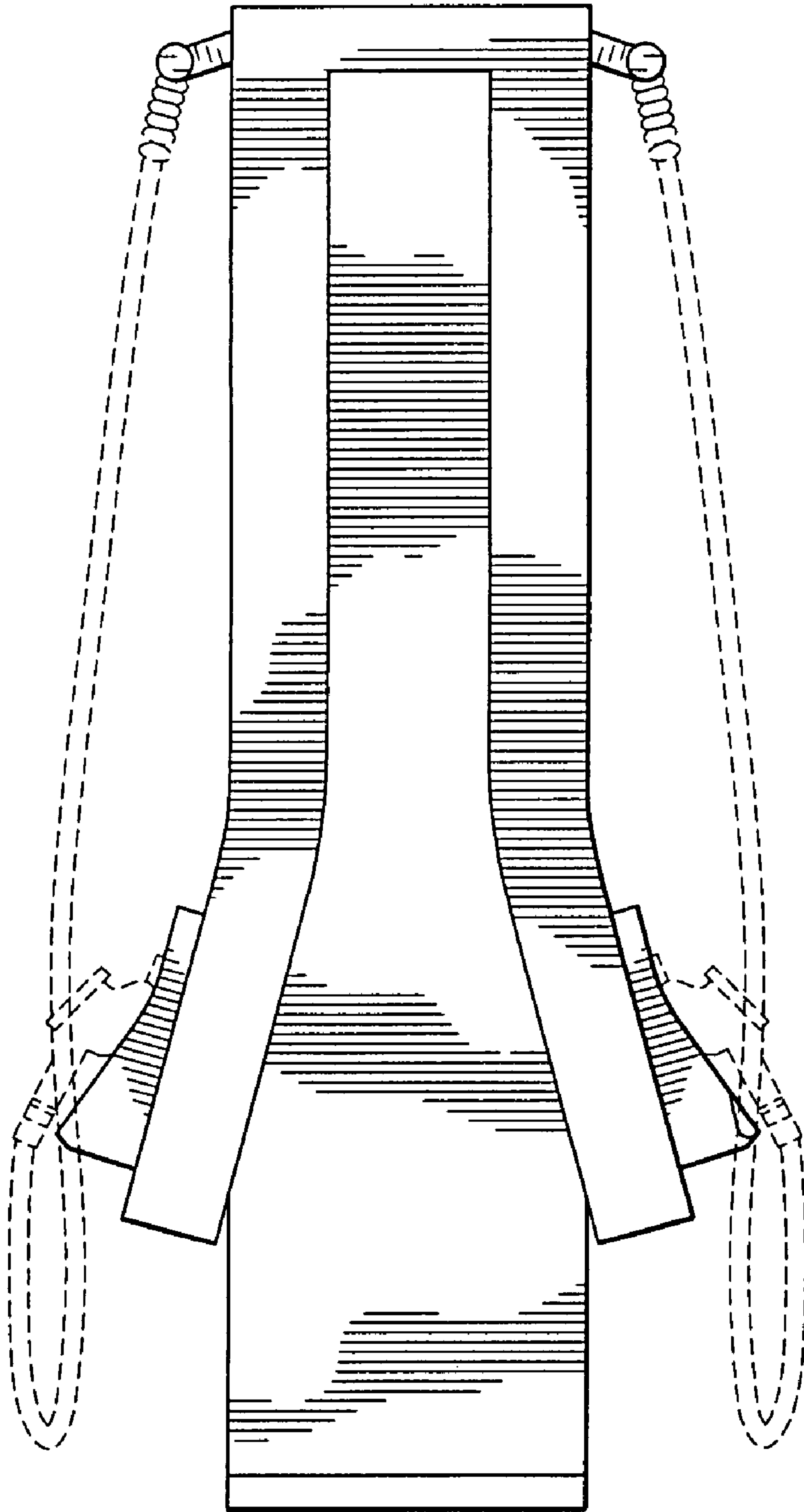


FIG. 8