

US00D549242S

(12) **United States Design Patent**  
**Chu**

(10) **Patent No.:** **US D549,242 S**

(45) **Date of Patent:** **\*\* Aug. 21, 2007**

(54) **CYLINDER HOUSING FOR AIR COMPRESSOR**

*Primary Examiner*—Ralf Seifert  
(74) *Attorney, Agent, or Firm*—Charles E. Baxley

(76) **Inventor:** **Henry C. Chu**, 133N. Lemon St.,  
Orange, CA (US) 92866

(57) **CLAIM**

The ornamental design for a cylinder housing for air compressor, as shown and described.

(\*\*) **Term:** **14 Years**

(21) **Appl. No.:** **29/265,823**

(22) **Filed:** **Sep. 8, 2006**

**DESCRIPTION**

(51) **LOC (8) Cl.** ..... **15-02**

(52) **U.S. Cl.** ..... **D15/9**

(58) **Field of Classification Search** ..... D15/7-9;  
D23/232, 231; 417/359, 415-416, 410.1,  
417/321, 265, 405

See application file for complete search history.

FIG. 1 is a perspective view of a cylinder housing for air compressor showing my new design;

FIG. 2 is a front elevational view thereof;

FIG. 3 is a rear elevational view thereof;

FIG. 4 is a top plan view thereof;

FIG. 5 is a bottom plan view thereof;

FIG. 6 is a left side elevational view thereof;

FIG. 7 is a right side elevational view thereof; and,

FIG. 8 is a perspective view thereof, the port depicted by means of broken lines being for illustrative purposes only and forming no part of the claimed design.

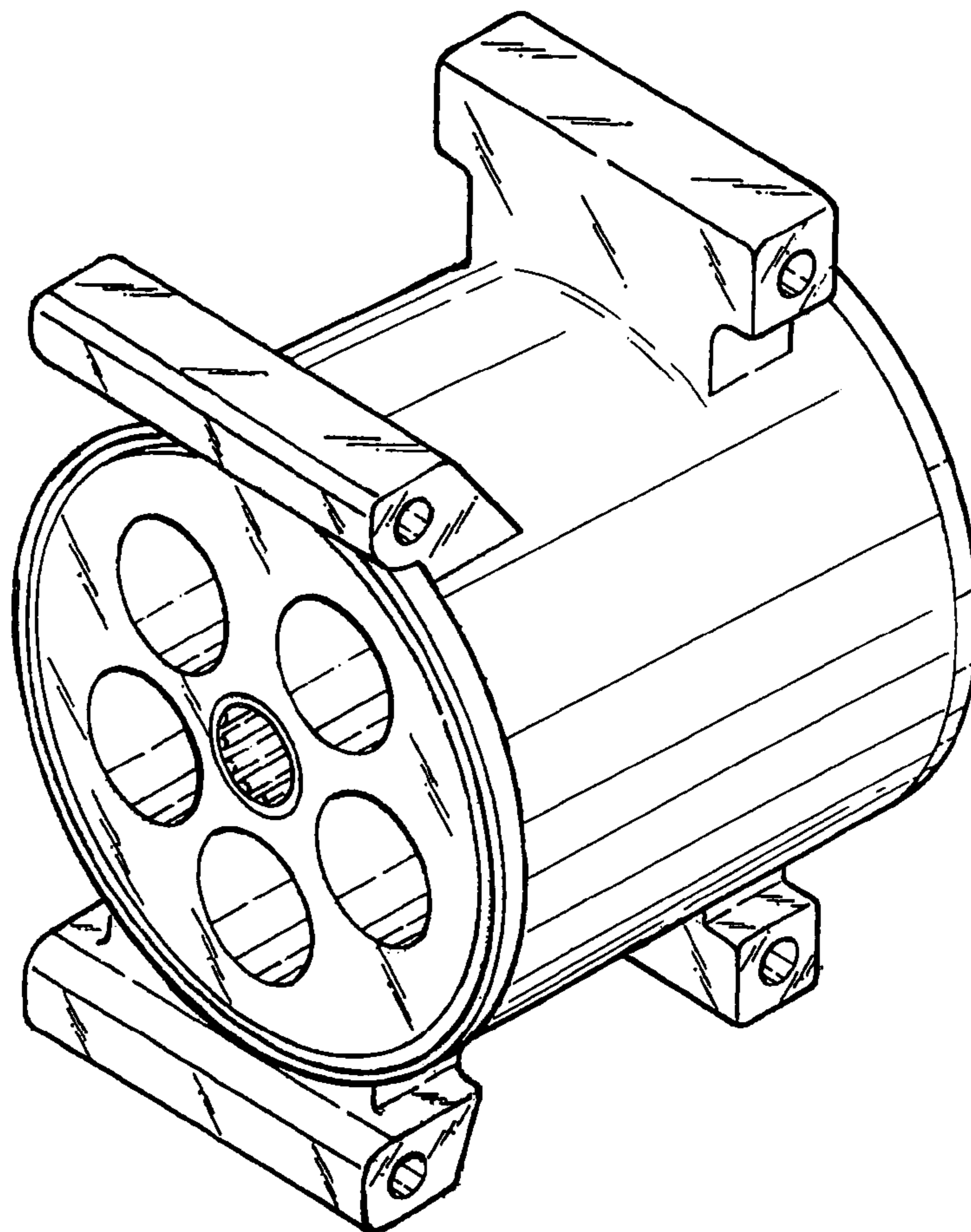
(56) **References Cited**

**U.S. PATENT DOCUMENTS**

4,702,830	A *	10/1987	Makino et al.	.....	210/220
D356,573	S *	3/1995	Makino	.....	D15/7
D505,961	S *	6/2005	Chu	.....	D15/9
D506,763	S *	6/2005	Chu	.....	D15/9

\* cited by examiner

**1 Claim, 5 Drawing Sheets**



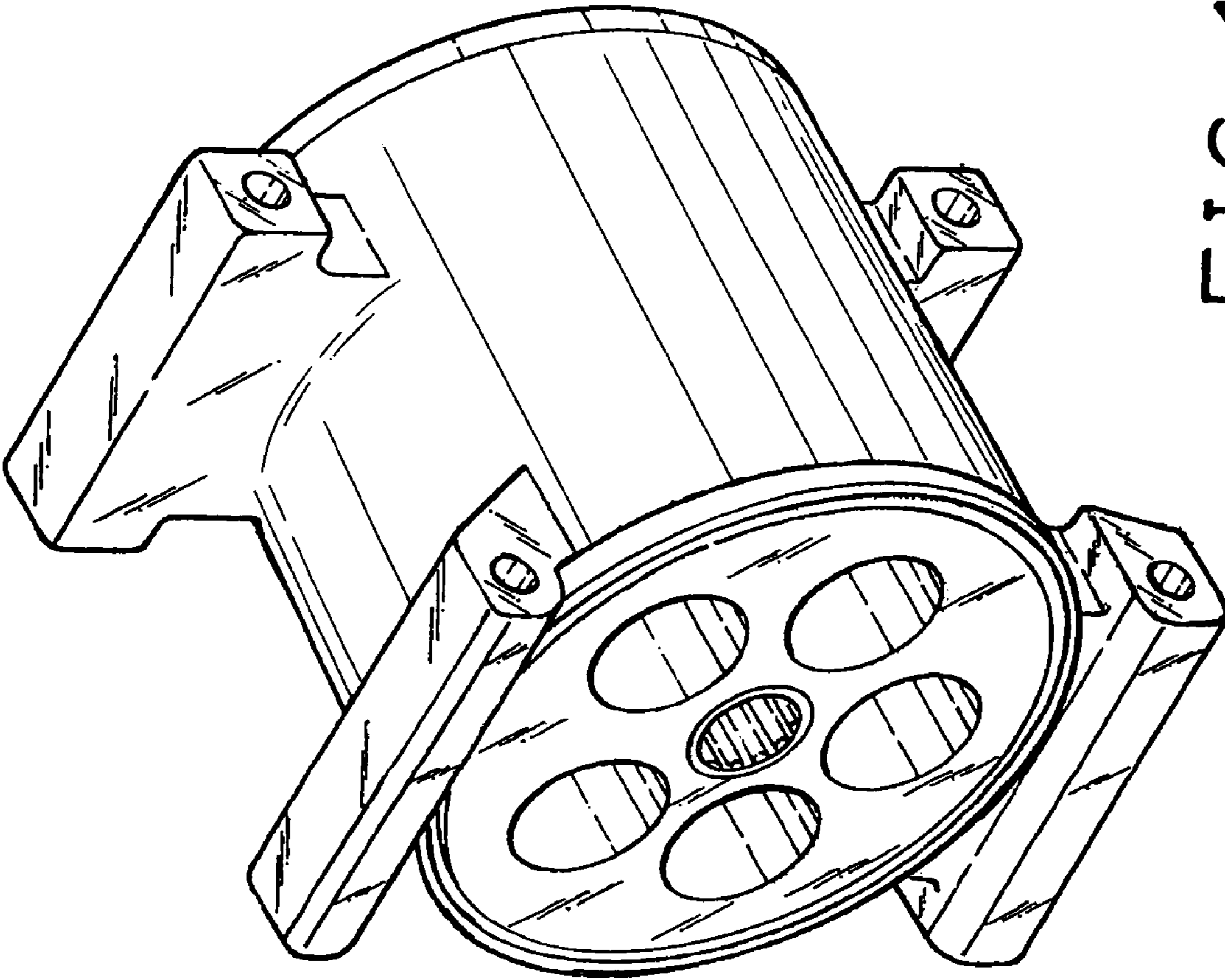


FIG. 1

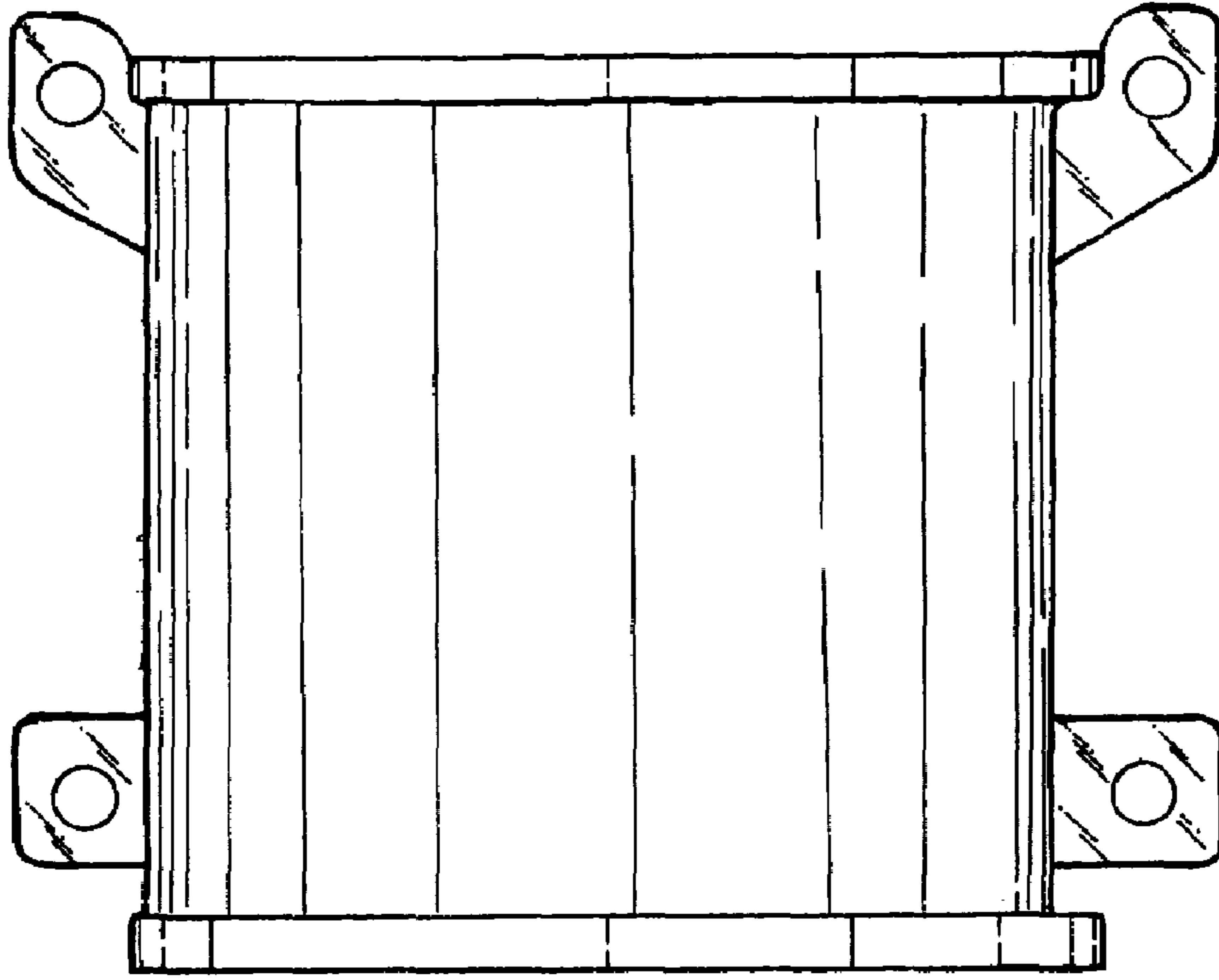


FIG. 3

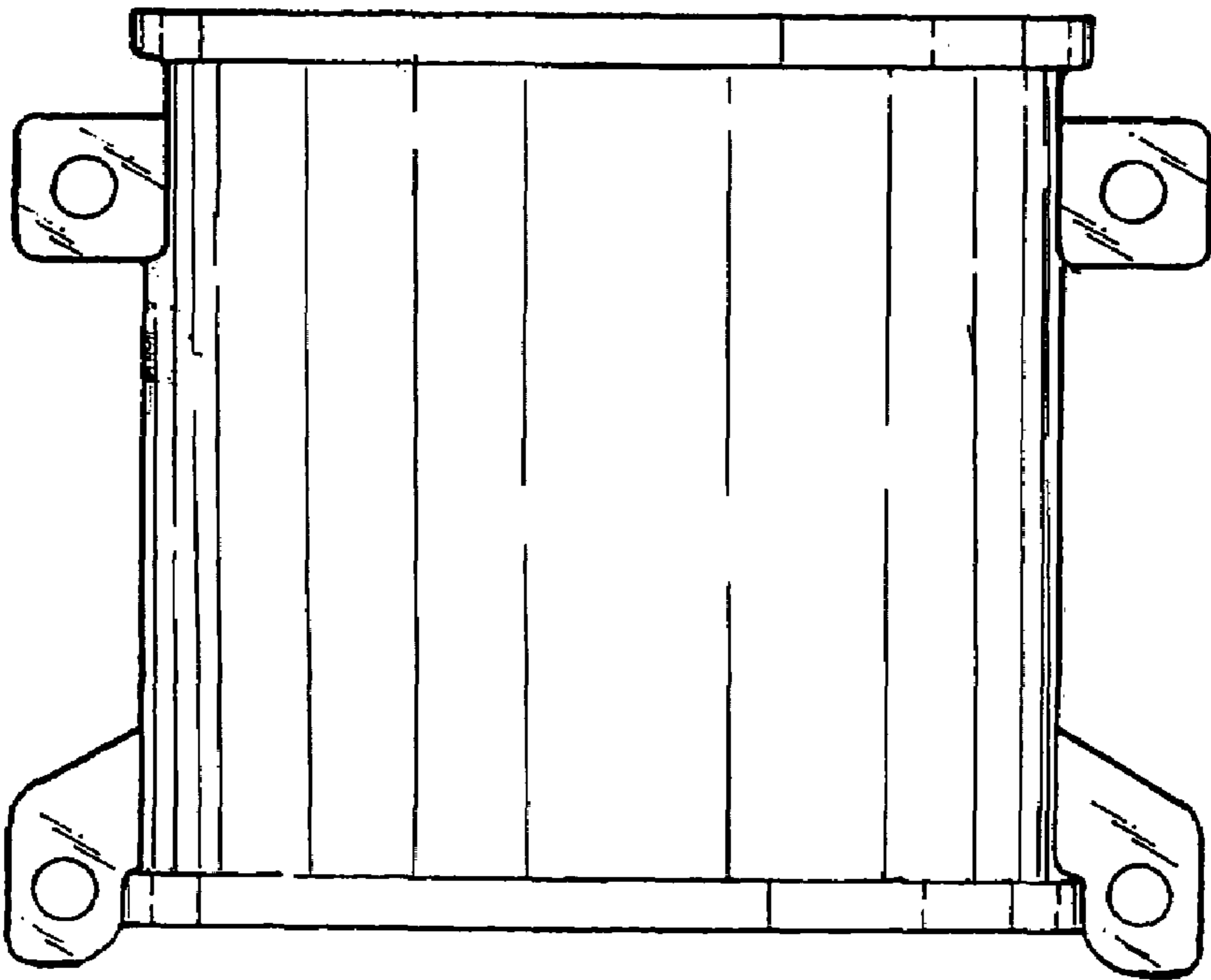


FIG. 2

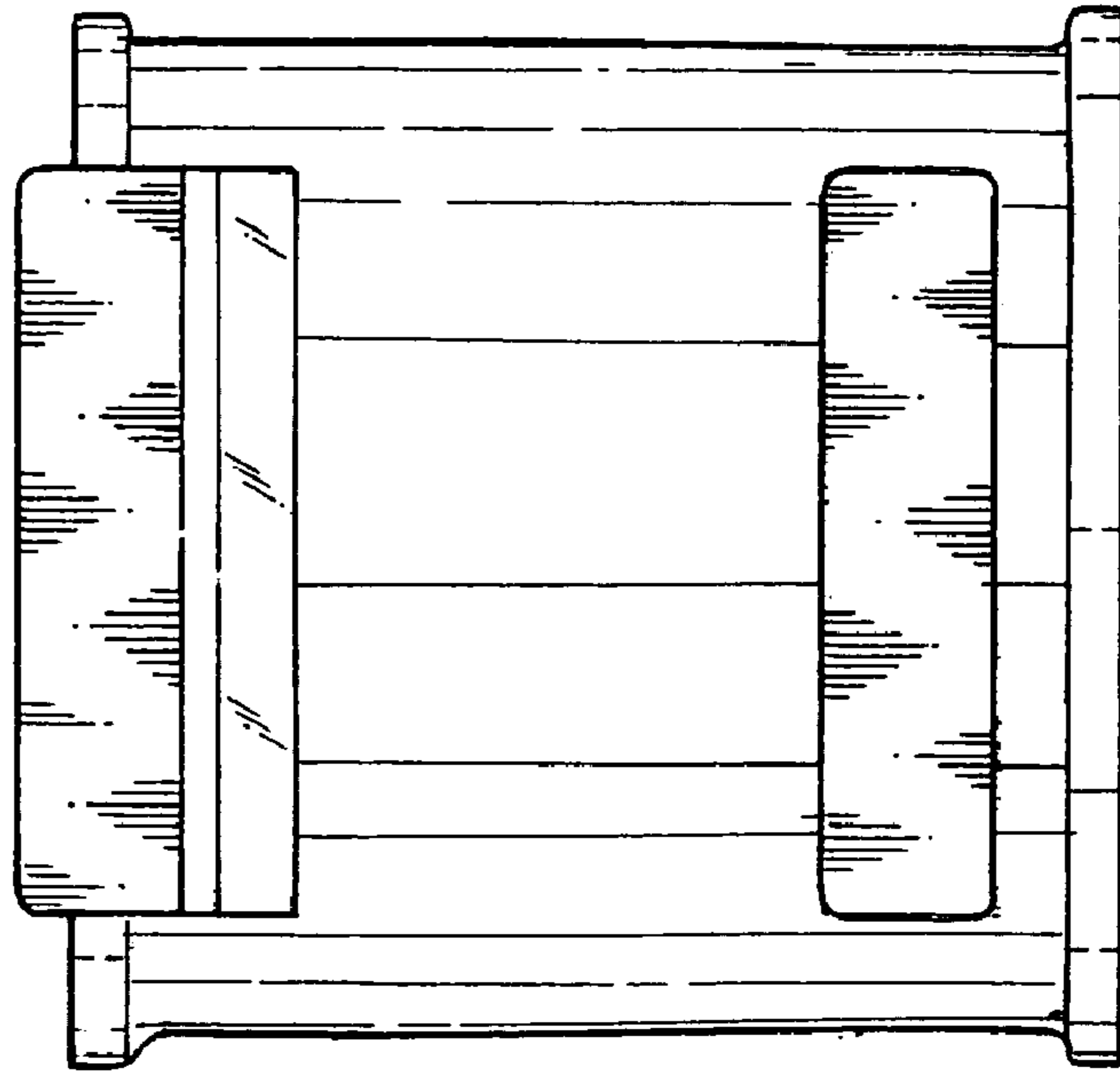


FIG. 4

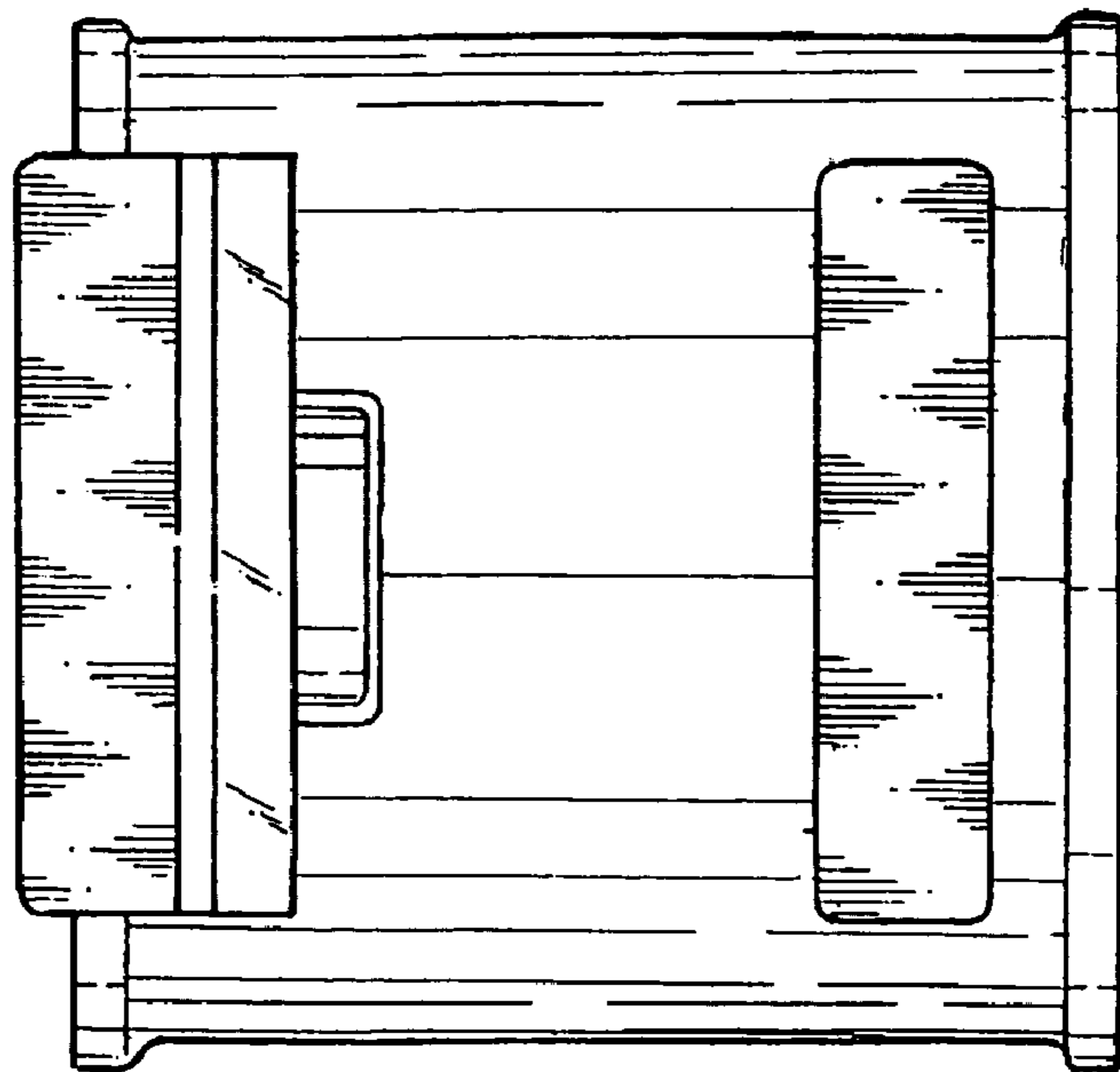


FIG. 5

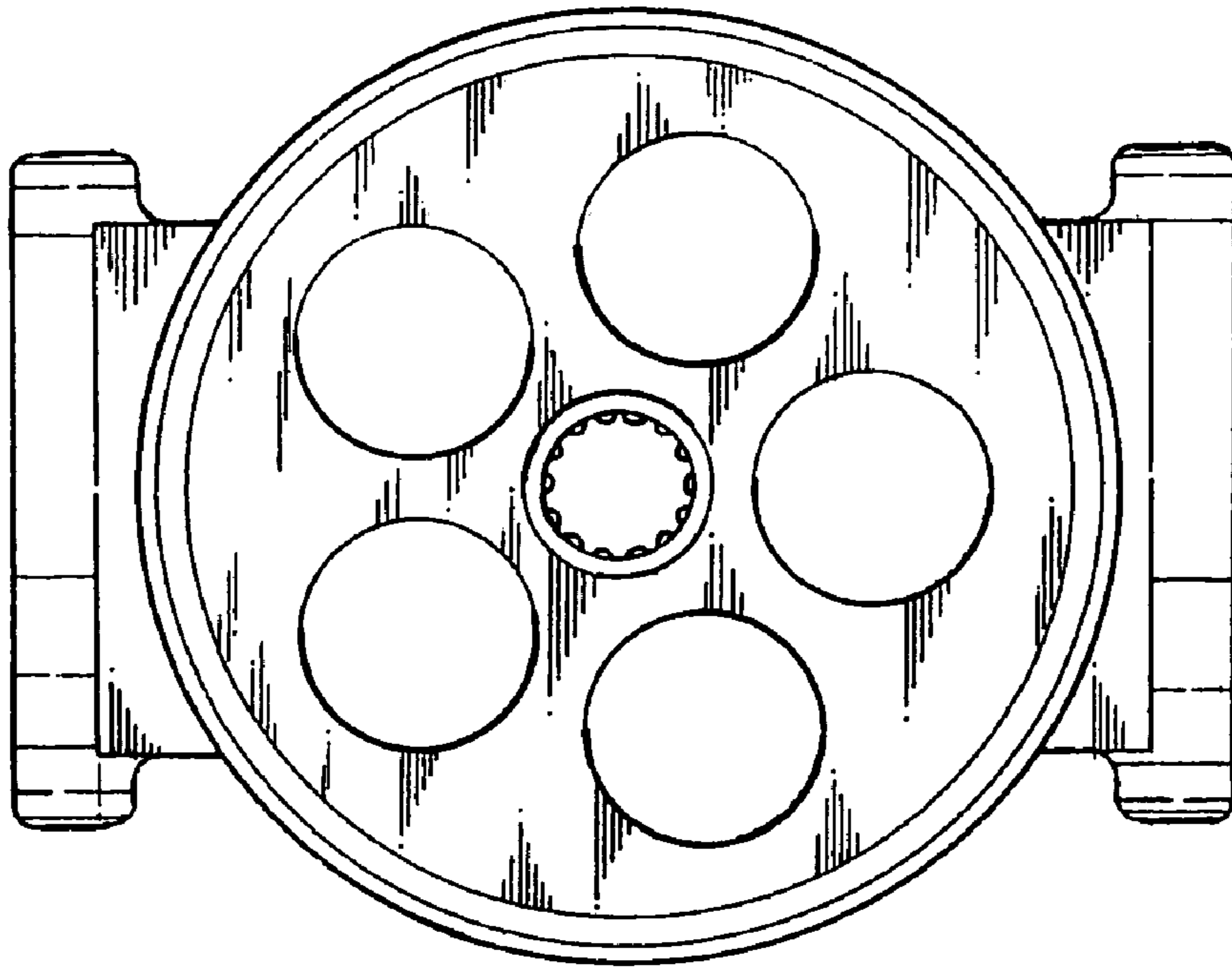


FIG. 7

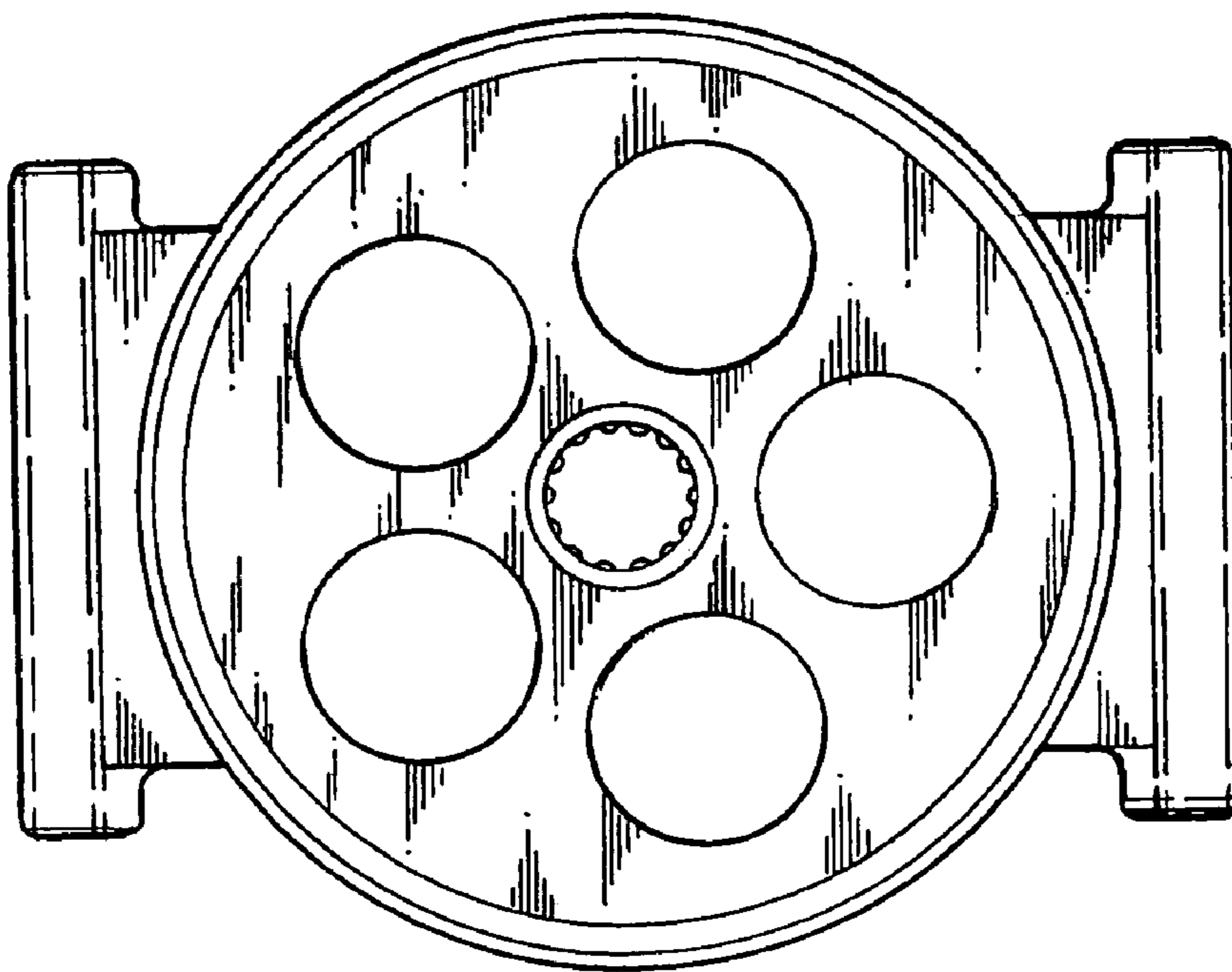


FIG. 6

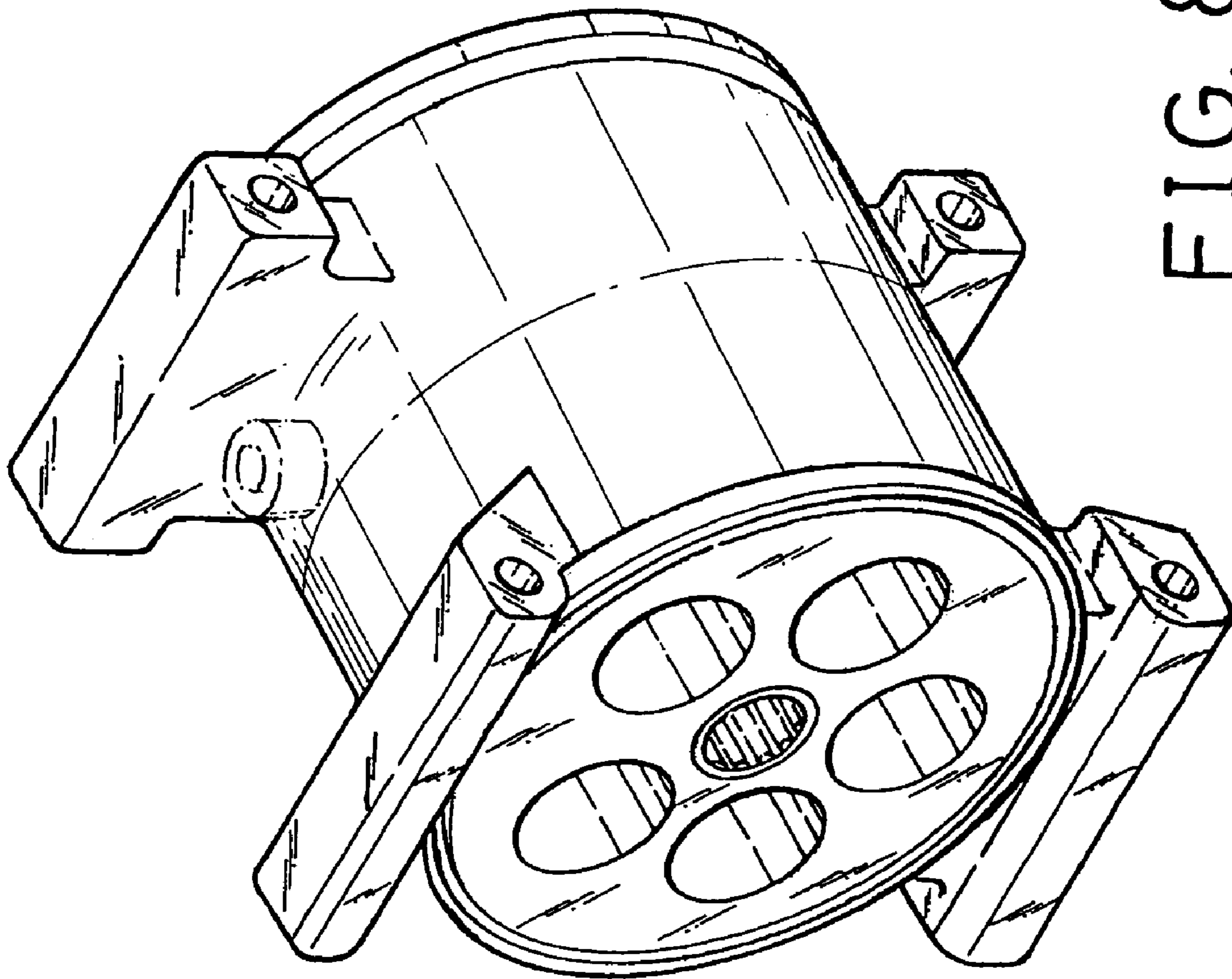


FIG. 8