

US00D549240S

(12) **United States Design Patent**
Okamoto

(10) **Patent No.:** **US D549,240 S**

(45) **Date of Patent:** **** Aug. 21, 2007**

(54) **OUTBOARD MOTOR**

(75) Inventor: **Hisashi Okamoto**, Hamamatsu (JP)

(73) Assignee: **Suzuki Motor Corporation**,
Hamamatsu-shi, Shizuoka-Pref. (JP)

(**) Term: **14 Years**

(21) Appl. No.: **29/244,201**

(22) Filed: **Dec. 6, 2005**

(30) **Foreign Application Priority Data**

Jun. 7, 2005 (JP) 2005-016433

(51) **LOC (8) Cl.** **15-01**

(52) **U.S. Cl.** **D15/4**

(58) **Field of Classification Search** D15/4-5,
D15/149; 123/195 P, 495, 90.12, 90.15,
123/90.17, 90.31, 509, 195 C, 41.09, 41.33,
123/41.35, 193.5; 248/640, 643; 440/3-4,
440/6, 52, 53, 57, 61 T, 61 R, 50, 75-81,
440/88 I, 88 L, 88 R, 86, 89 R; 290/43,
290/46; D12/317

See application file for complete search history.

(56) **References Cited**

U.S. PATENT DOCUMENTS

3,934,537 A * 1/1976 Hall 440/52
4,177,747 A * 12/1979 Pichl 440/52
D332,265 S * 1/1993 Osumi D15/4
D463,448 S * 9/2002 Osumi et al. D15/4

D466,907 S * 12/2002 Ohsumi D15/4
D486,500 S * 2/2004 Okamoto D15/4
D519,524 S * 4/2006 Sanschagrin et al. D15/4
7,056,170 B2 * 6/2006 Tawa et al. 440/88 R
D528,563 S * 9/2006 Sanschagrin et al. D15/4

* cited by examiner

Primary Examiner—Ian Simmons

Assistant Examiner—Maurice Stevens

(74) *Attorney, Agent, or Firm*—Foley Hoag LLP

(57) **CLAIM**

The ornamental design for an outboard motor, as shown and described.

DESCRIPTION

FIG. 1 is a rear view of an outboard motor showing my new design;

FIG. 2 is a front view thereof;

FIG. 3 is a front perspective view of the right side thereof;

FIG. 4 is a front perspective view of the left side thereof;

FIG. 5 is a top view thereof;

FIG. 6 is a bottom view thereof;

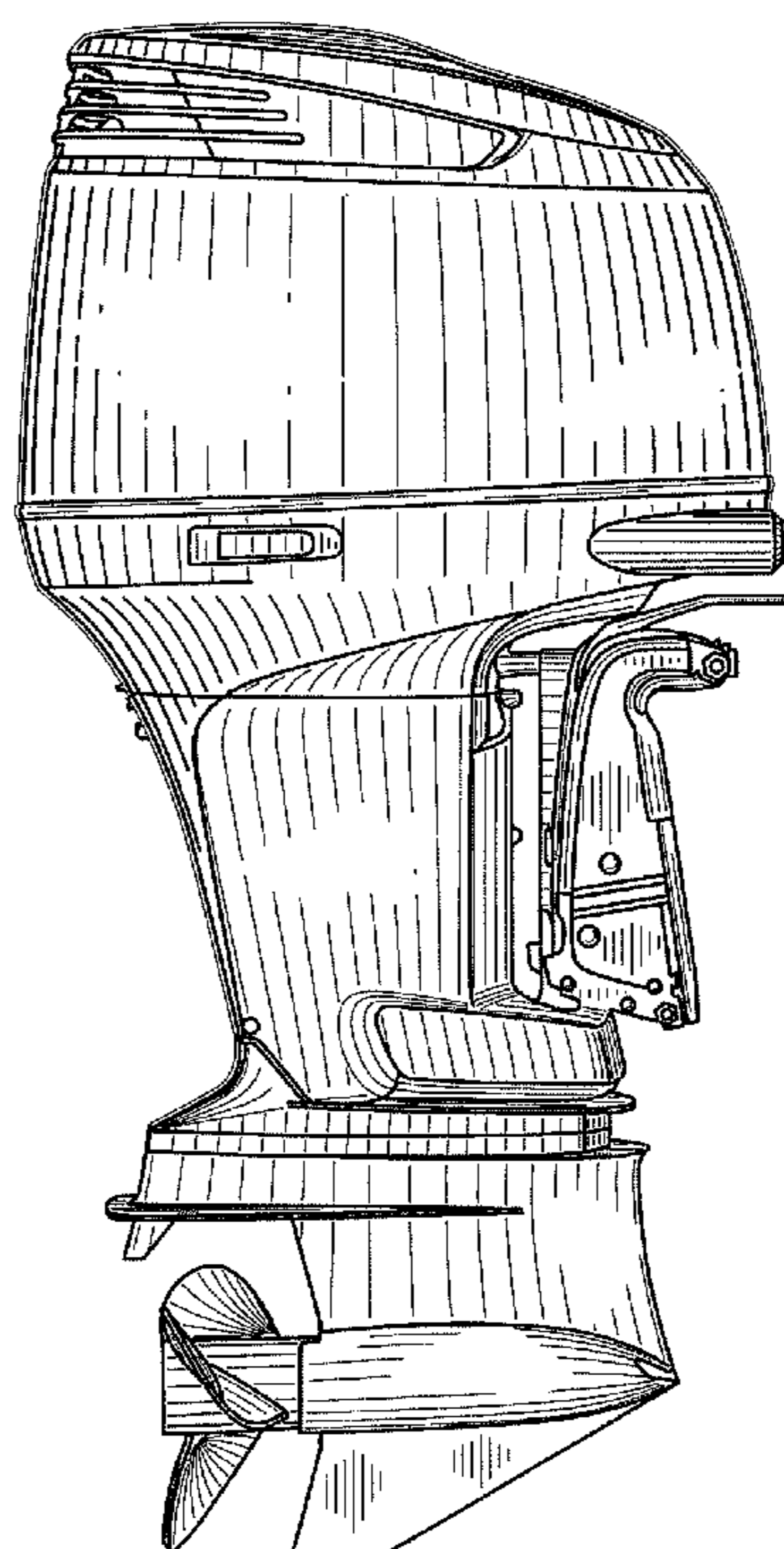
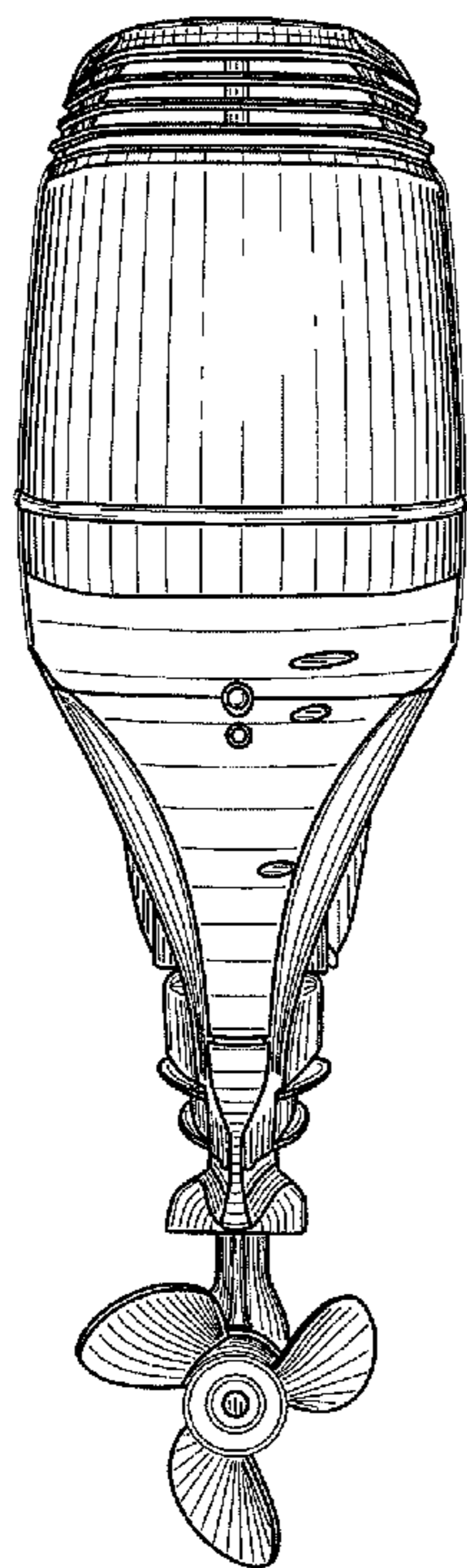
FIG. 7 is a front perspective view of the right side thereof;

FIG. 8 is a front perspective view of the left side thereof;

FIG. 9 is a rear perspective view of the right side thereof;
and,

FIG. 10 is a rear perspective view of the left side thereof.

1 Claim, 4 Drawing Sheets



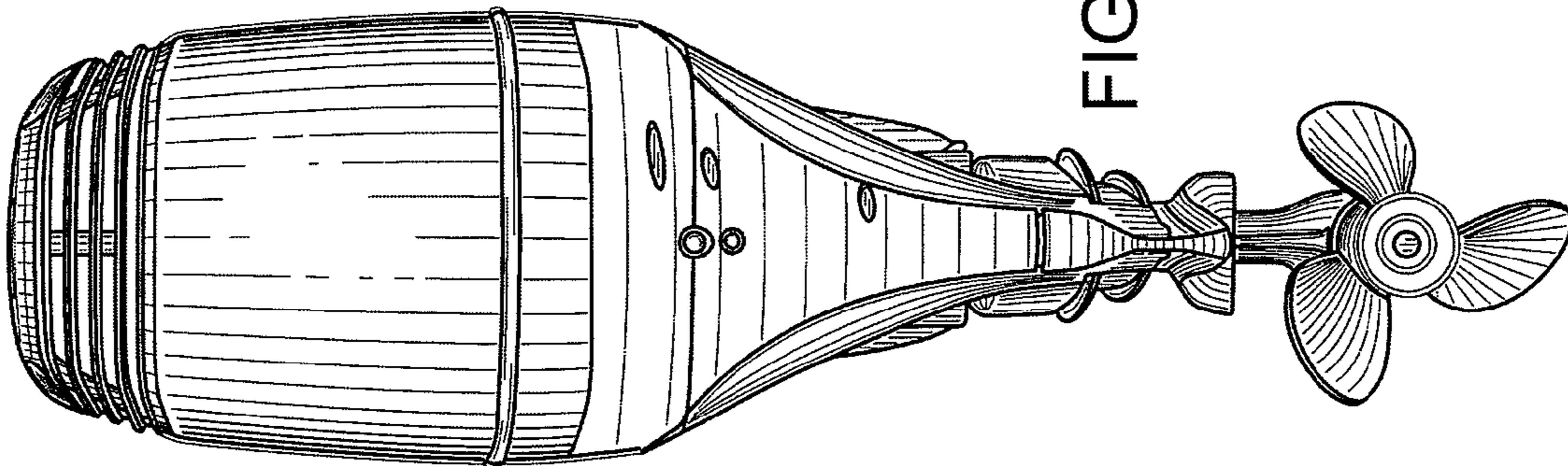


FIG. 1

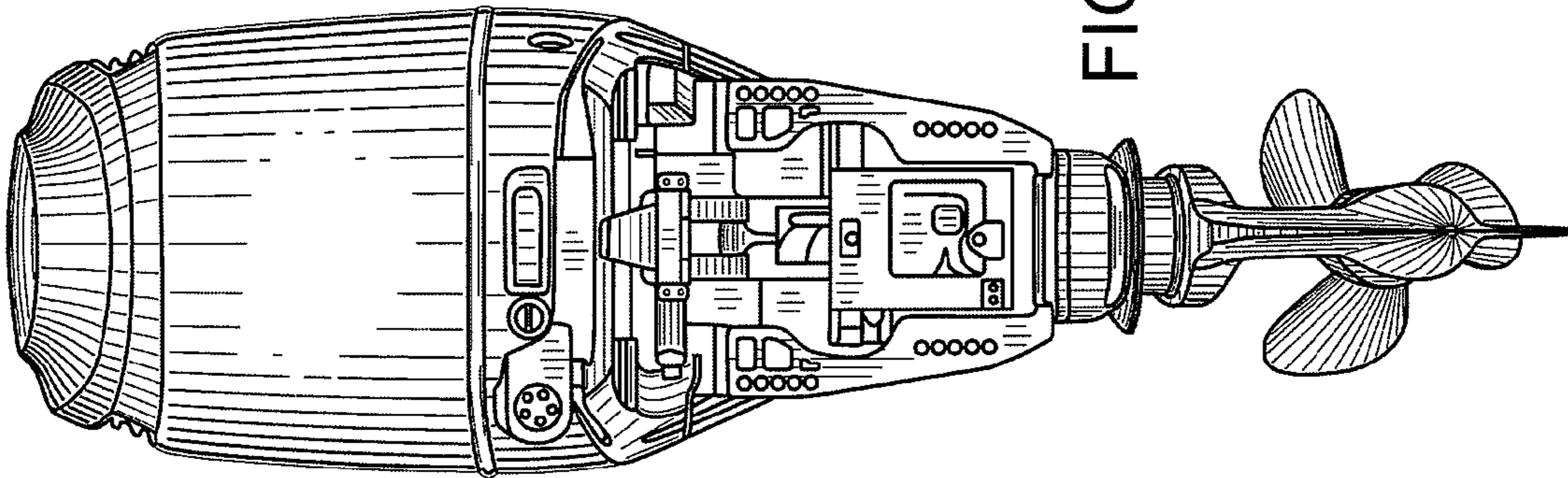


FIG. 2

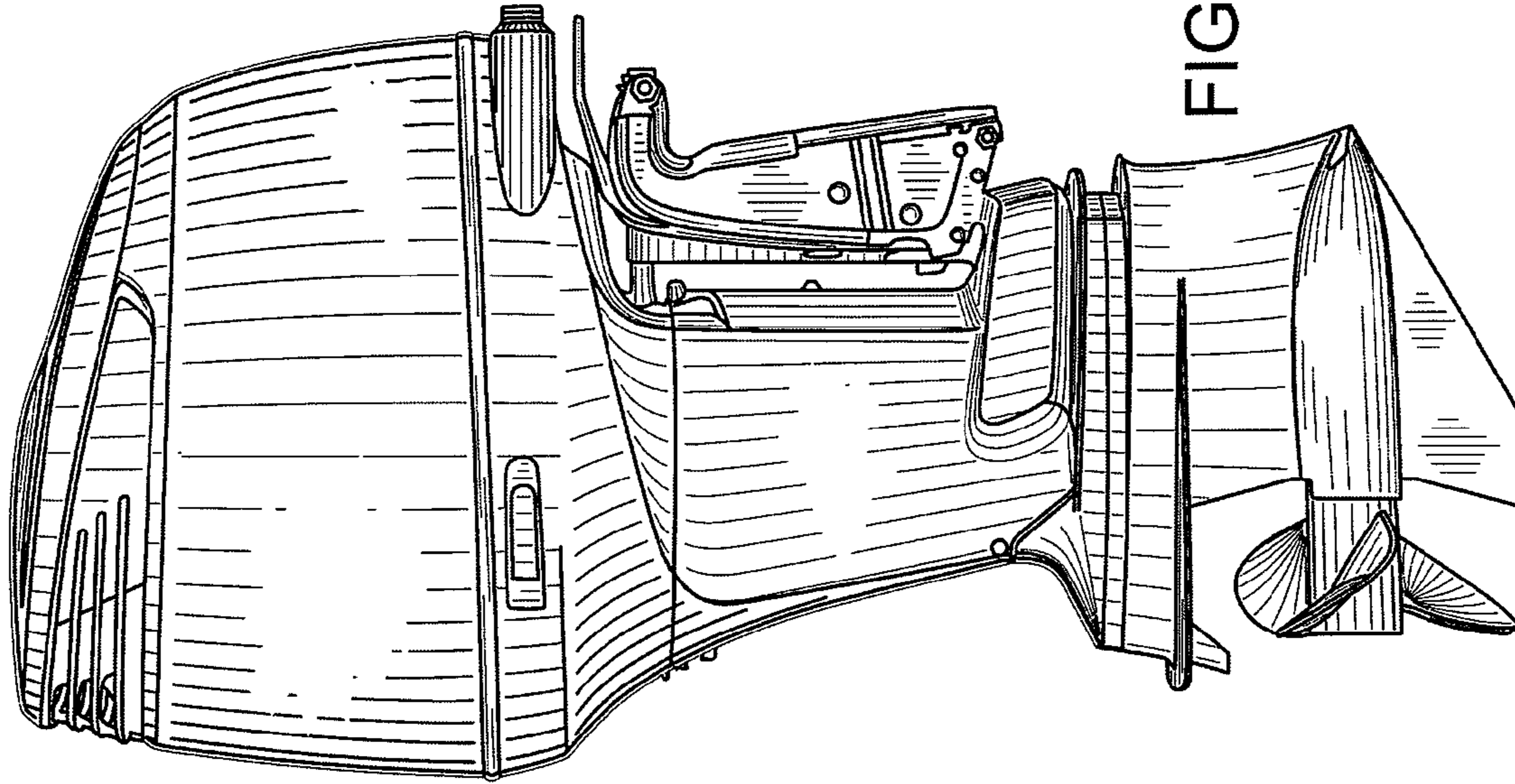


FIG. 3

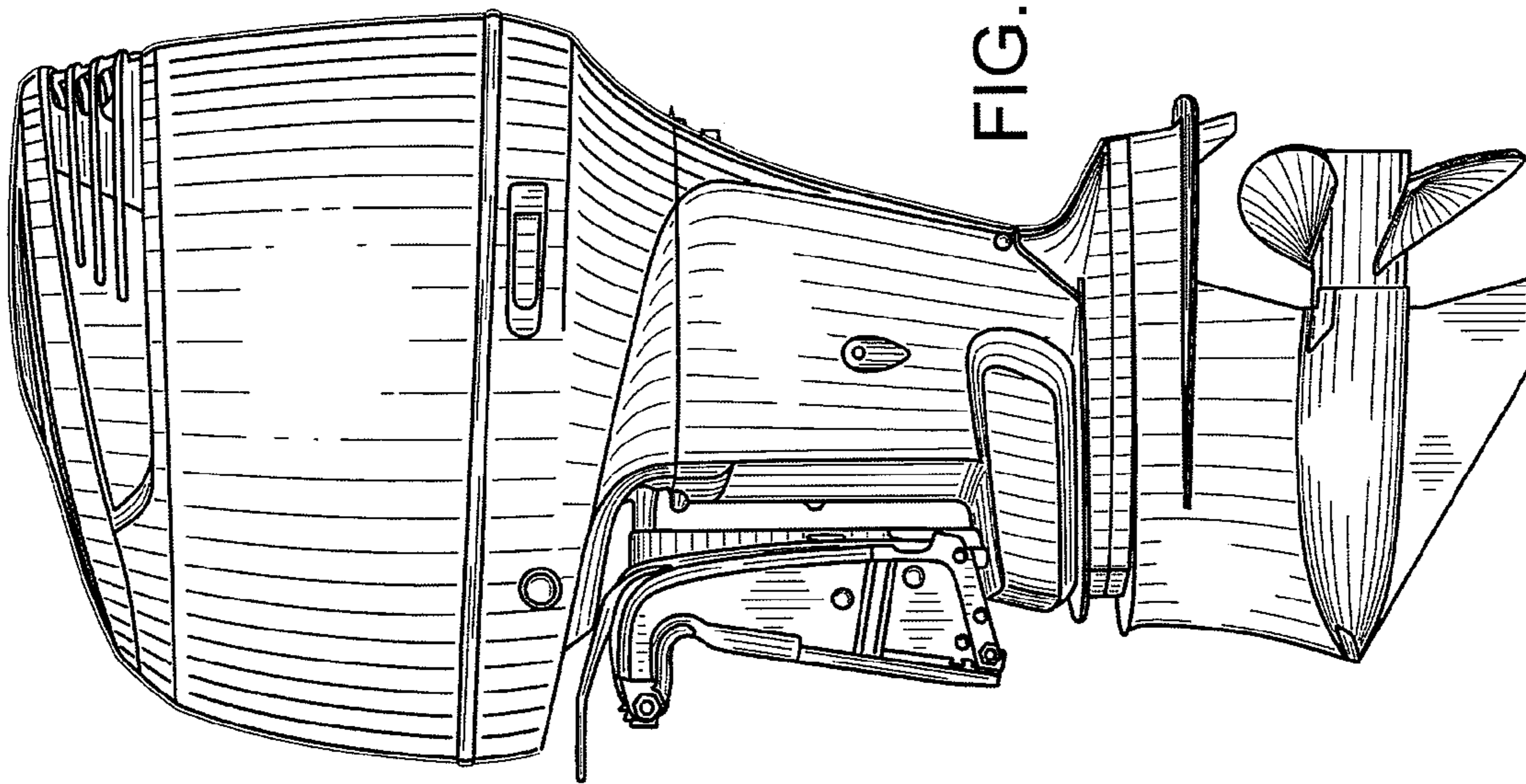


FIG. 4

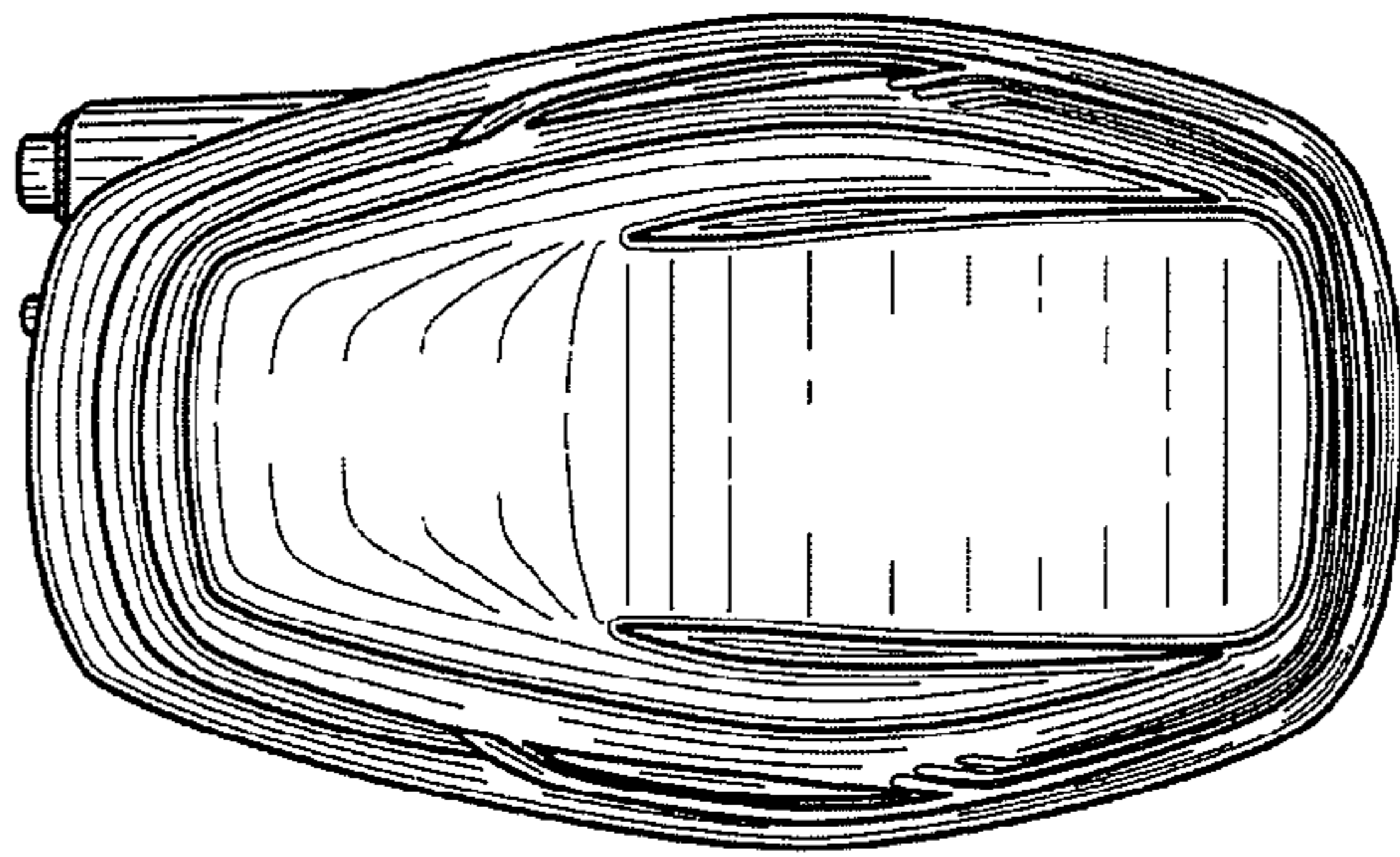


FIG. 5

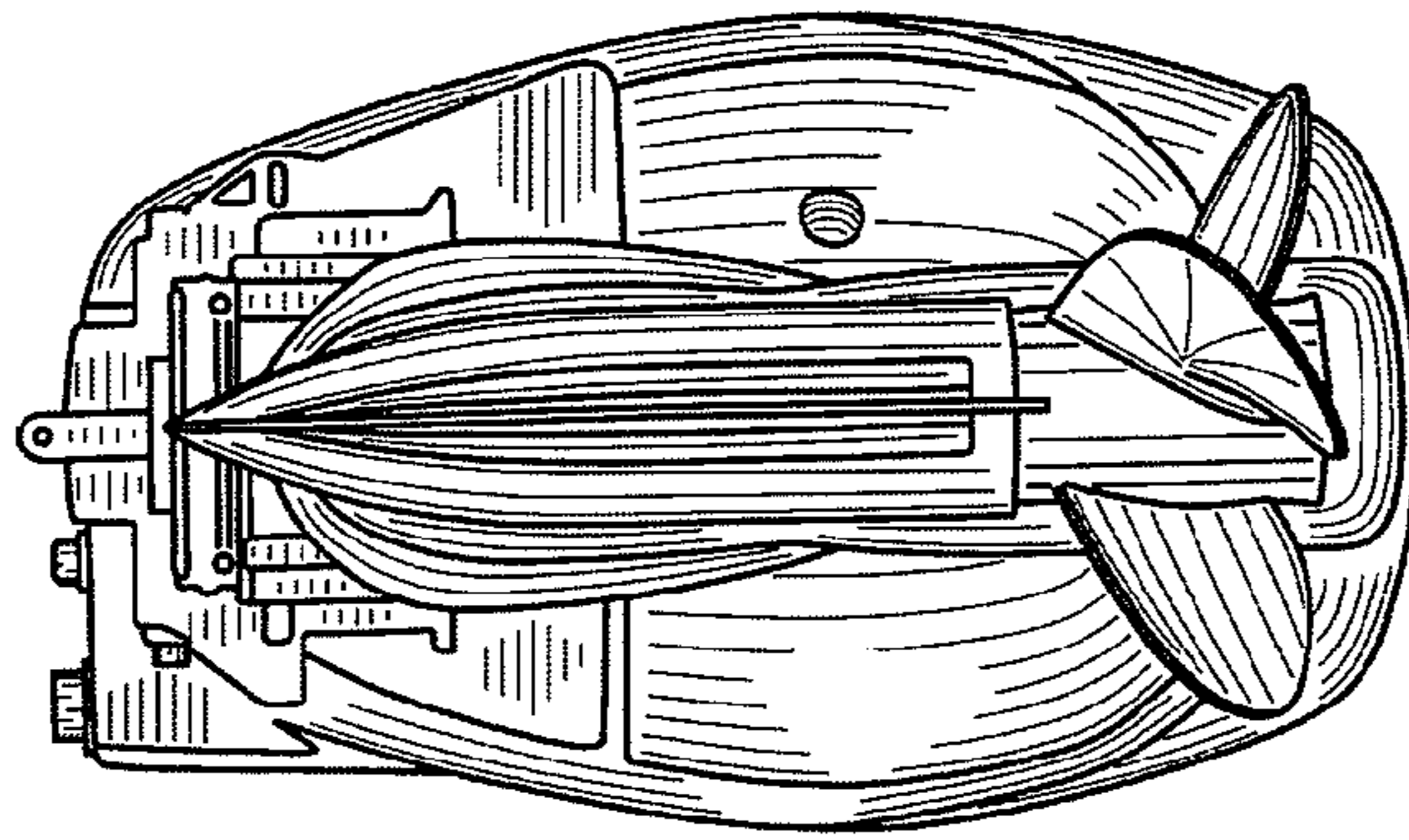


FIG. 6

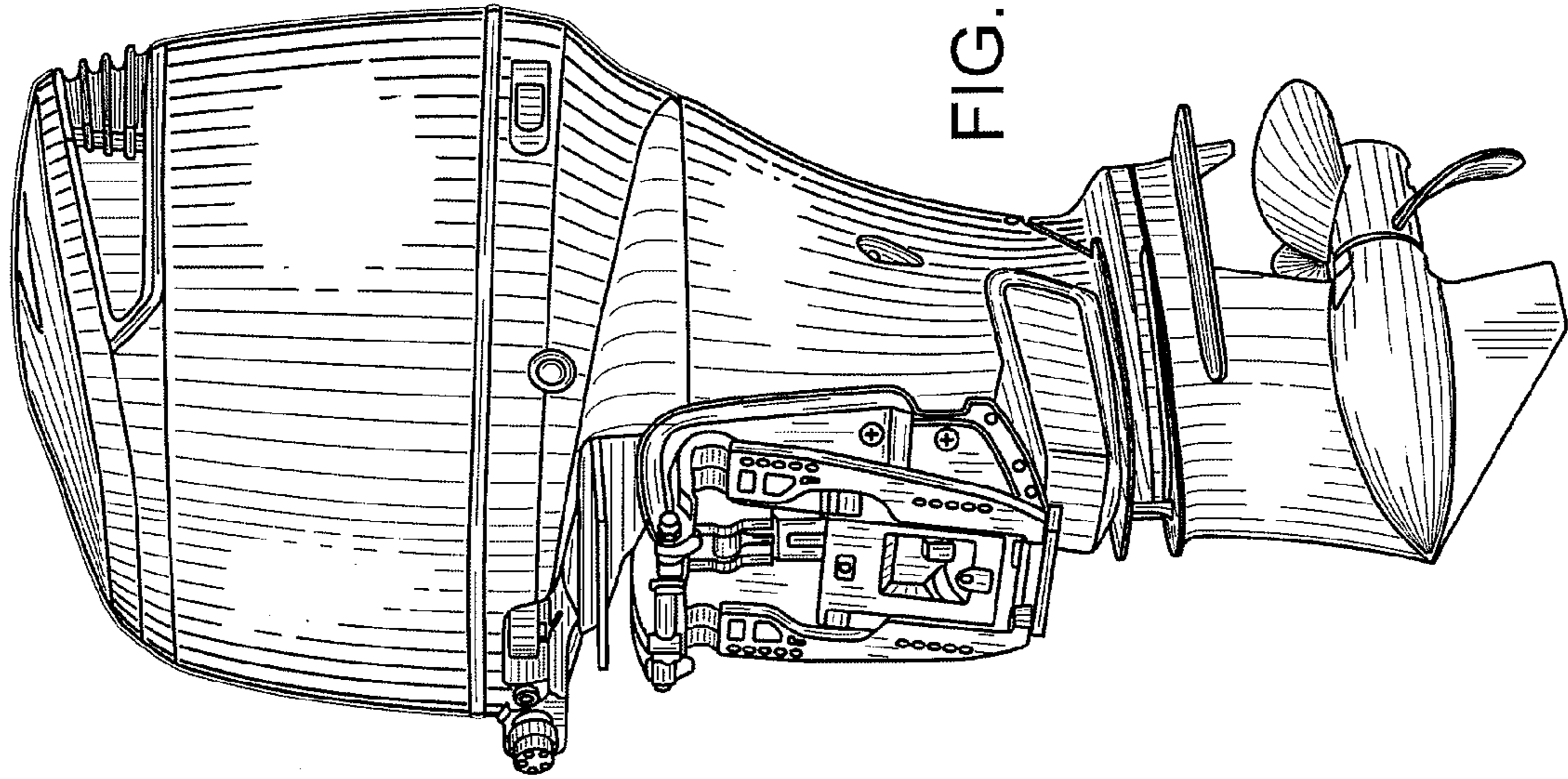


FIG. 8

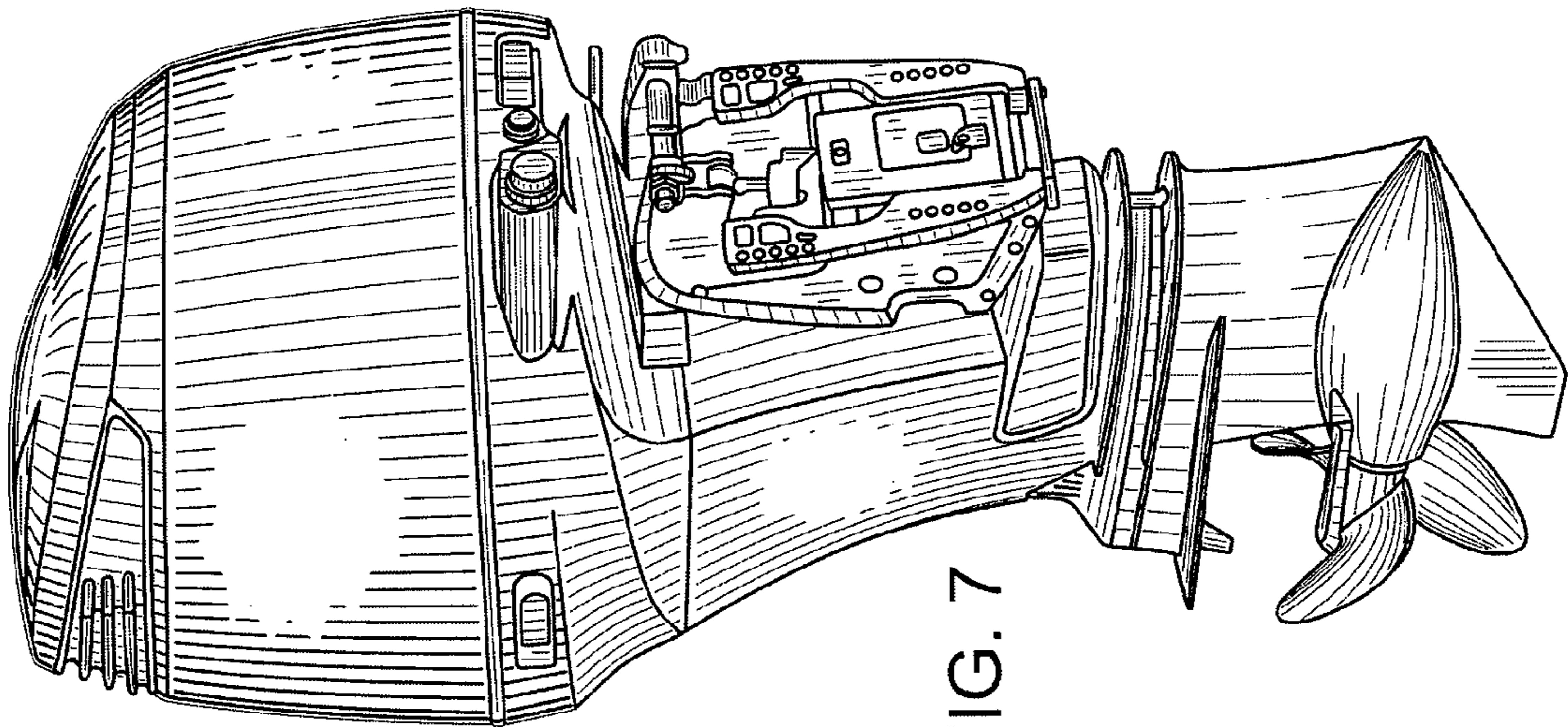


FIG. 7

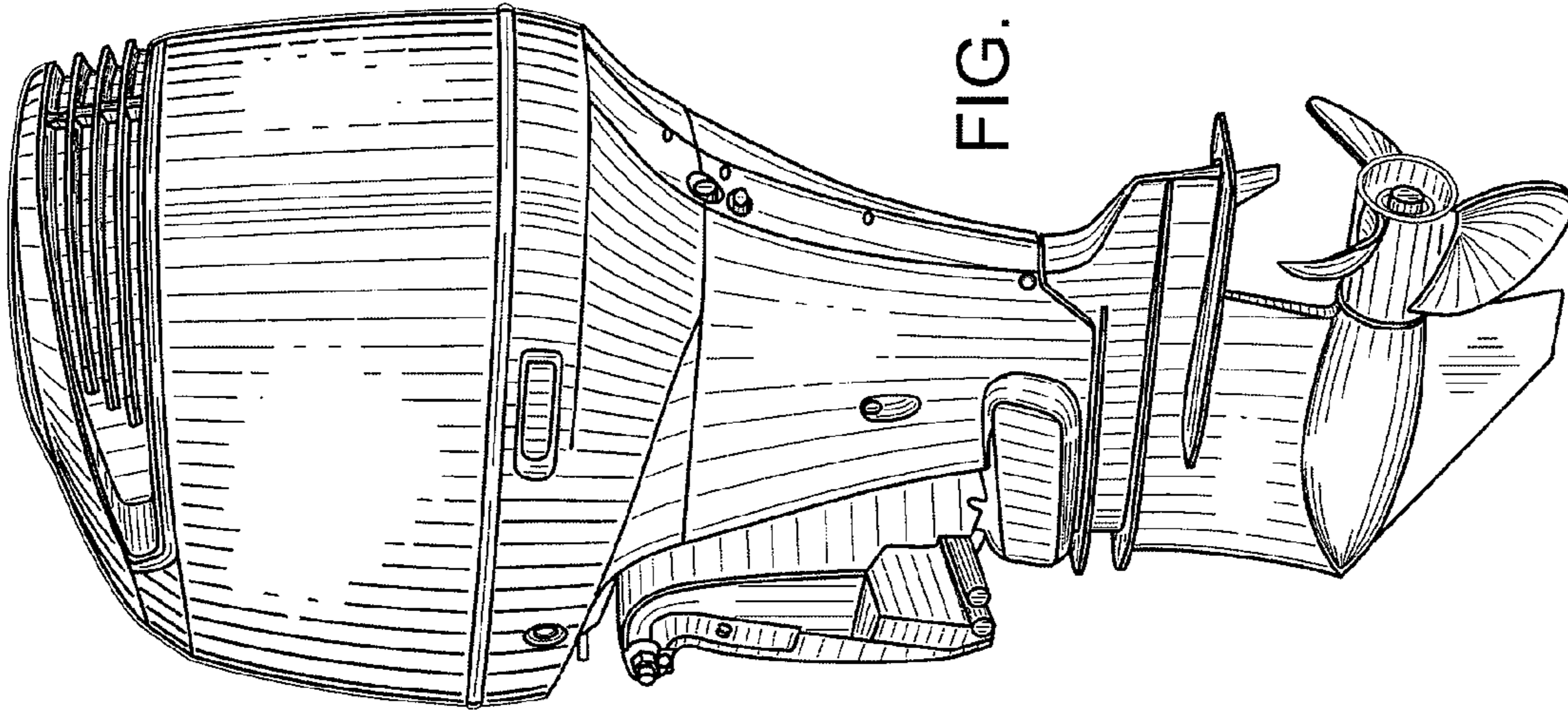


FIG. 10

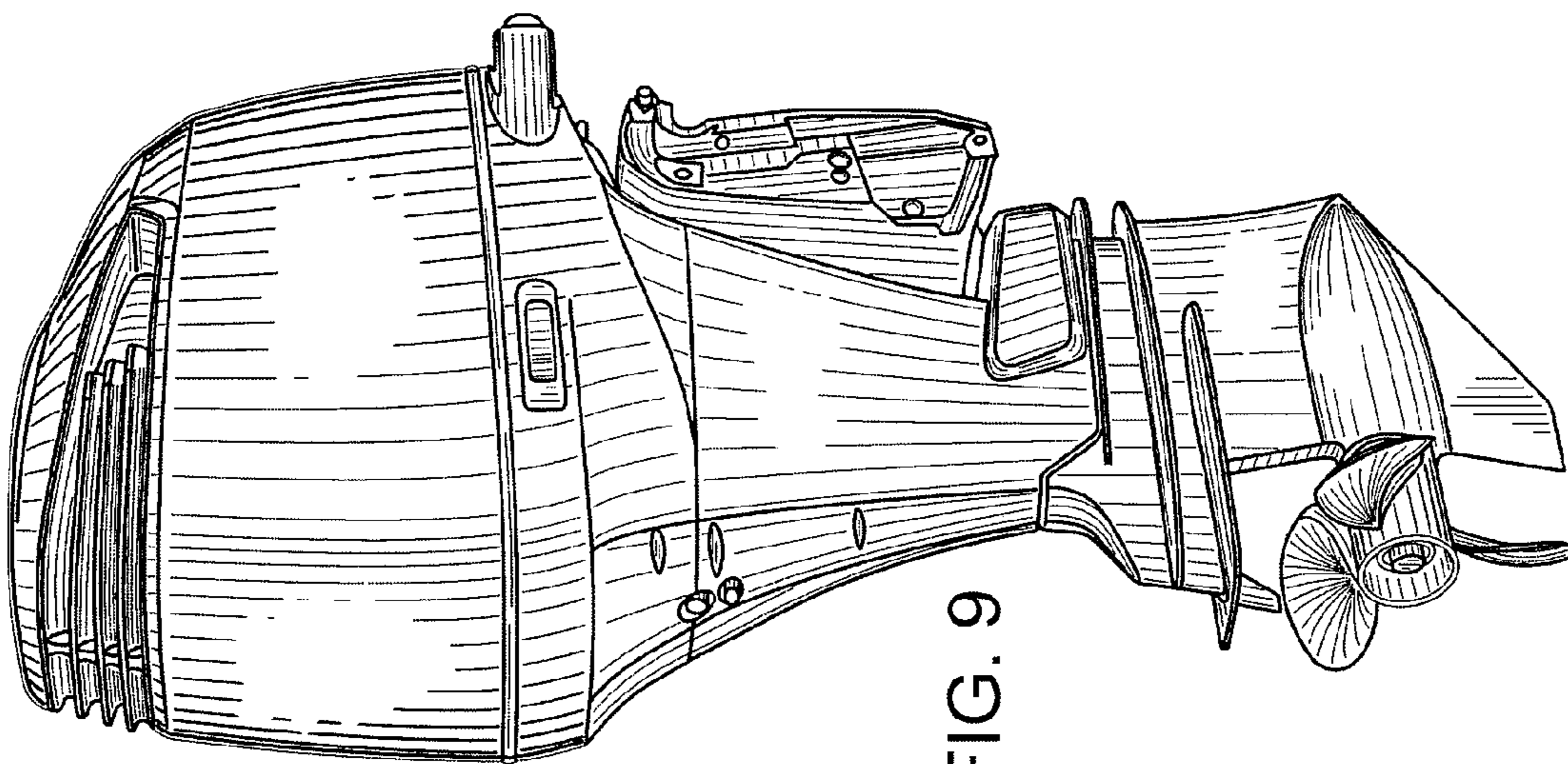


FIG. 9