

US00D549238S

(12) **United States Design Patent** (10) **Patent No.:** **US D549,238 S**  
**Chikuma** (45) **Date of Patent:** **\*\* Aug. 21, 2007**

(54) **DIGITAL AUDIO PLAYER**  
(75) Inventor: **Naoko Chikuma**, Tokyo (JP)  
(73) Assignee: **Kabushiki Kaisha Toshiba** (JP)  
(\*\*) Term: **14 Years**

D507,277 S \* 7/2005 Sitoh ..... D14/496  
D509,833 S \* 9/2005 Yang ..... D14/496  
D511,347 S 11/2005 Naruki  
6,977,675 B2 \* 12/2005 Kotzin ..... 346/208.2  
D517,088 S \* 3/2006 Chong et al. .... D14/496

(21) Appl. No.: **29/258,589**  
(22) Filed: **Apr. 25, 2006**

**FOREIGN PATENT DOCUMENTS**

(30) **Foreign Application Priority Data**  
Nov. 11, 2005 (JP) ..... 2005-033479

|    |                |        |
|----|----------------|--------|
| CN | 3429707D       | 3/2005 |
| EP | 000465109-0007 | 3/2006 |
| JP | 1194833        | 1/2004 |
| JP | 1211069        | 7/2004 |
| JP | 1227176        | 1/2005 |
| JP | 1227732        | 1/2005 |
| JP | 1228217        | 1/2005 |
| JP | D1227176       | 1/2005 |
| JP | 1249125        | 8/2005 |
| JP | D1249125       | 8/2005 |
| JP | 1250837        | 9/2005 |

(51) **LOC (8) Cl.** ..... **14-03**  
(52) **U.S. Cl.** ..... **D14/496**  
(58) **Field of Classification Search** ..... D14/496,  
D14/401, 435, 474, 483, 217, 137, 138, 160,  
D14/168; 345/156, 169, 173-179, 905; 715/727-729,  
715/864; 455/11.1, 7, 73, 344-347, 93, 95;  
370/342-344; 369/1, 2, 6, 12; 463/43-47;  
273/148 B  
See application file for complete search history.

**OTHER PUBLICATIONS**

Aiwa Advertisement, Giga pavit HZ-DS2000, p. 16, dated Feb. 24, 2004.

(Continued)

*Primary Examiner*—Prabhakar Deshmukh  
(74) *Attorney, Agent, or Firm*—Banner & Witcoff, Ltd.

(56) **References Cited**  
**U.S. PATENT DOCUMENTS**

(57) **CLAIM**

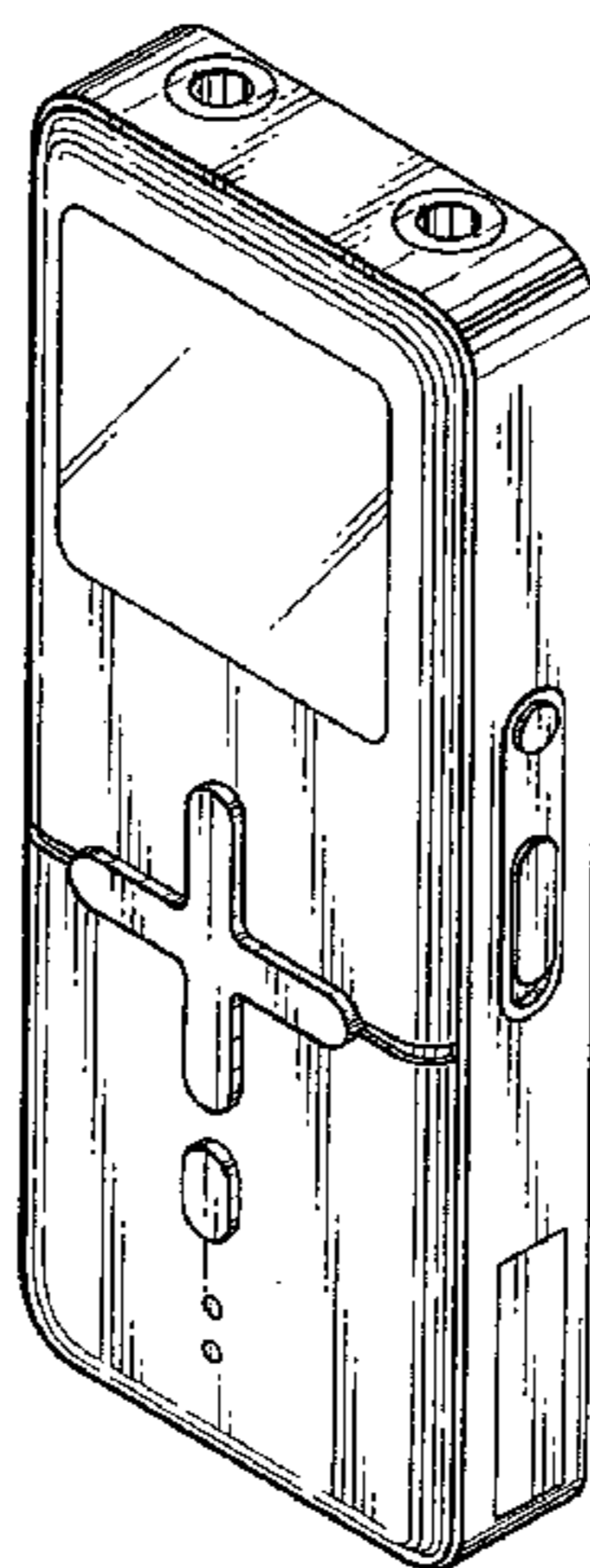
|               |         |                 |           |
|---------------|---------|-----------------|-----------|
| 5,349,575 A   | 9/1994  | Park            |           |
| 5,414,444 A * | 5/1995  | Britz           | 345/156   |
| 5,661,632 A   | 8/1997  | Register        |           |
| 5,859,594 A   | 1/1999  | King et al.     |           |
| 5,893,037 A * | 4/1999  | Reele et al.    | 455/556.1 |
| 6,041,023 A   | 3/2000  | Lakhansingh     |           |
| 6,122,526 A   | 9/2000  | Parulski et al. |           |
| D438,525 S    | 3/2001  | Katayama        |           |
| D441,735 S    | 5/2001  | Katayama        |           |
| D452,226 S    | 12/2001 | Simpson et al.  |           |
| D470,506 S    | 2/2003  | Sadatsuki       |           |
| 6,639,577 B2  | 10/2003 | Eberhard        |           |
| D488,456 S    | 4/2004  | Isshiki         |           |
| D489,052 S    | 4/2004  | Shiraki et al.  |           |
| D497,618 S    | 10/2004 | Andre et al.    |           |
| D504,442 S    | 4/2005  | Kim             |           |
| D504,691 S    | 5/2005  | Ohno            |           |

The ornamental design for a digital audio player, as shown and described.

**DESCRIPTION**

FIG. 1 is a front, top and right side perspective view of a digital audio player, showing my new design;  
FIG. 2 is a front elevational view thereof;  
FIG. 3 is a rear elevational view thereof;  
FIG. 4 is a top plan view thereof;  
FIG. 5 is a bottom plan view thereof;  
FIG. 6 is a left side elevational view thereof; and,  
FIG. 7 is a right side elevational view thereof.

**1 Claim, 4 Drawing Sheets**



OTHER PUBLICATIONS

Creative Media Catalog of a Digital Audio Player (Nomad Jukebox Zen Xtra), dated Jun. 16, 2004.

Good Way Catalog of a HDD MP3 Player (RM3100), dated Nov. 8, 2004.

B&H Catalog, p. 29, dated Jun. 2004.

Samsung Catalog of a Digital audio player, (YP-T7), May 17, 2005.

Sony Catalog of an HDD built-in Network Walkman, (NW-HD5).

AVC Technology Japan Catalog of a Flash Player, (SN-M600).

\* cited by examiner

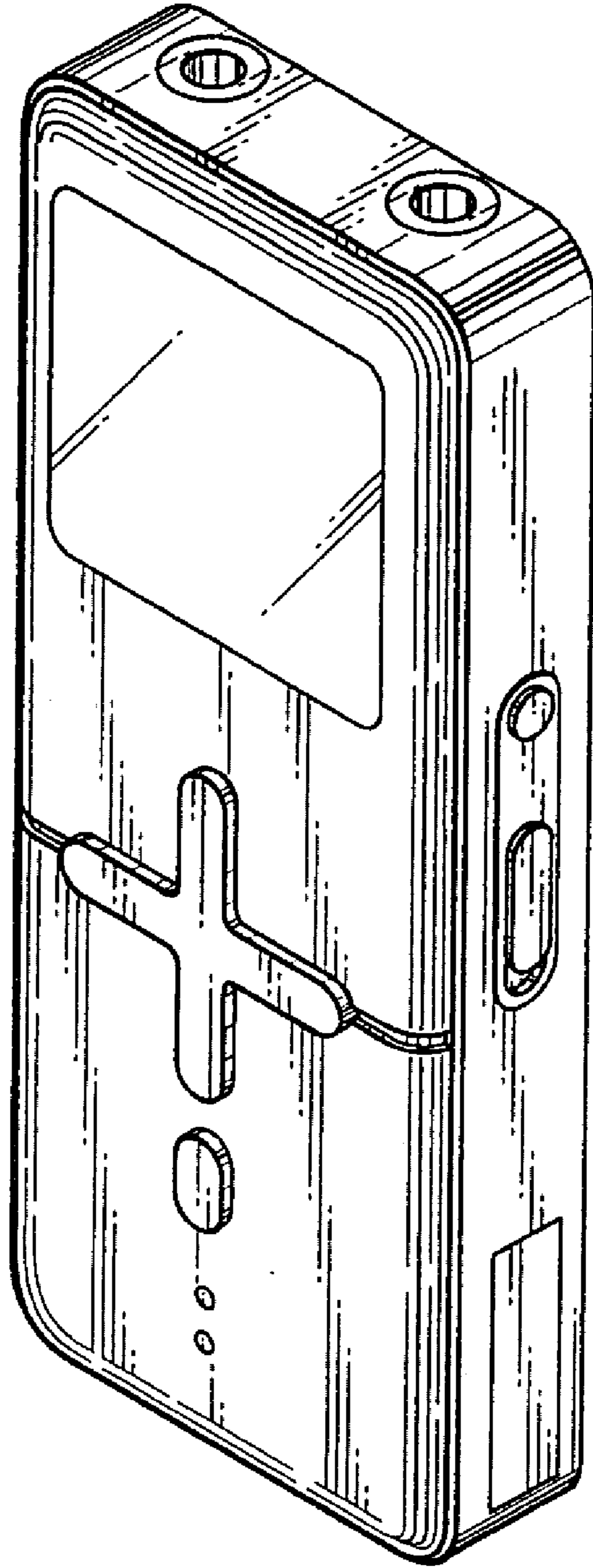


FIG. 1

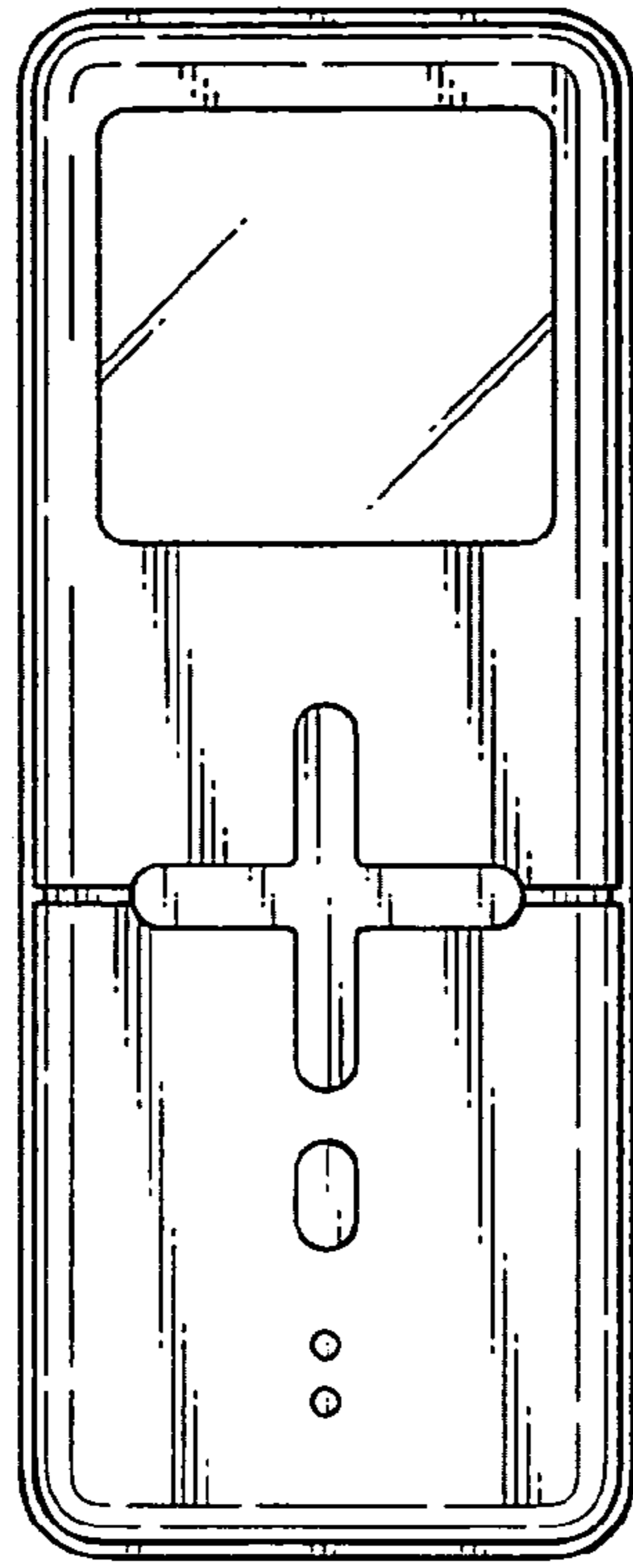


FIG. 2

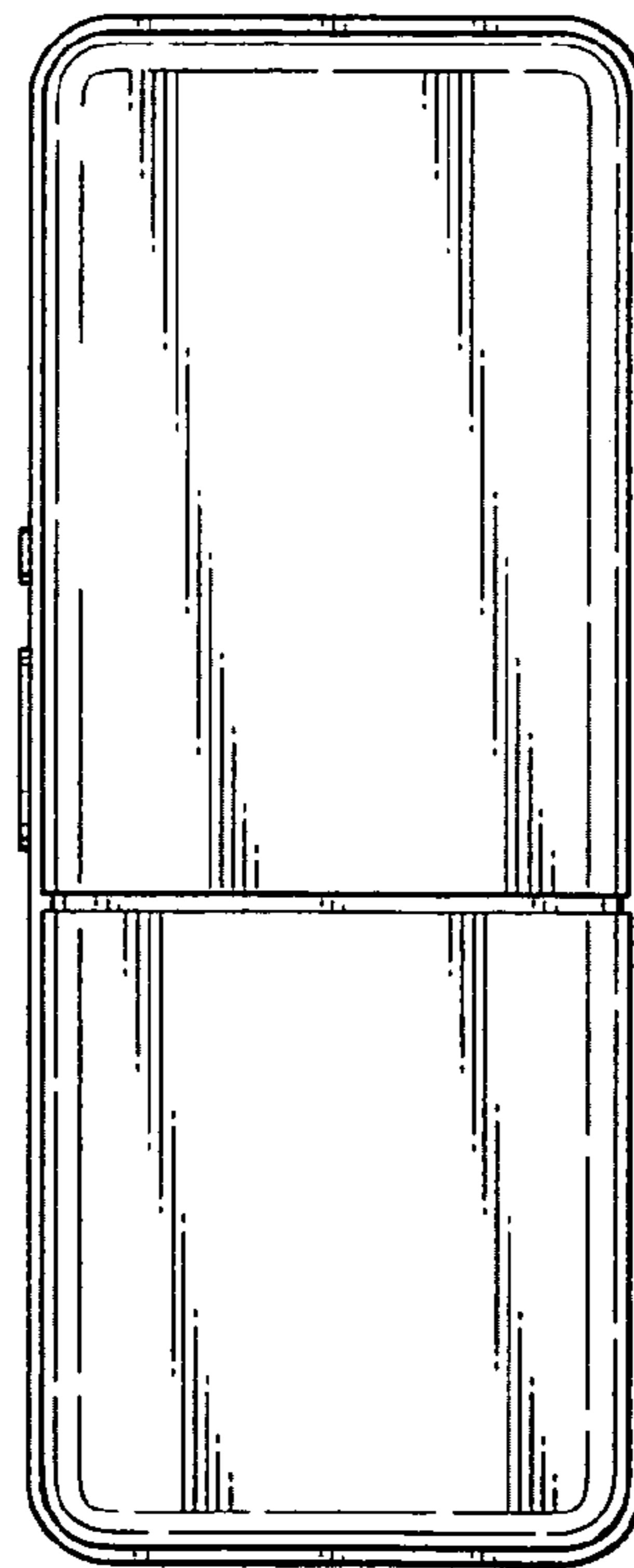


FIG. 3

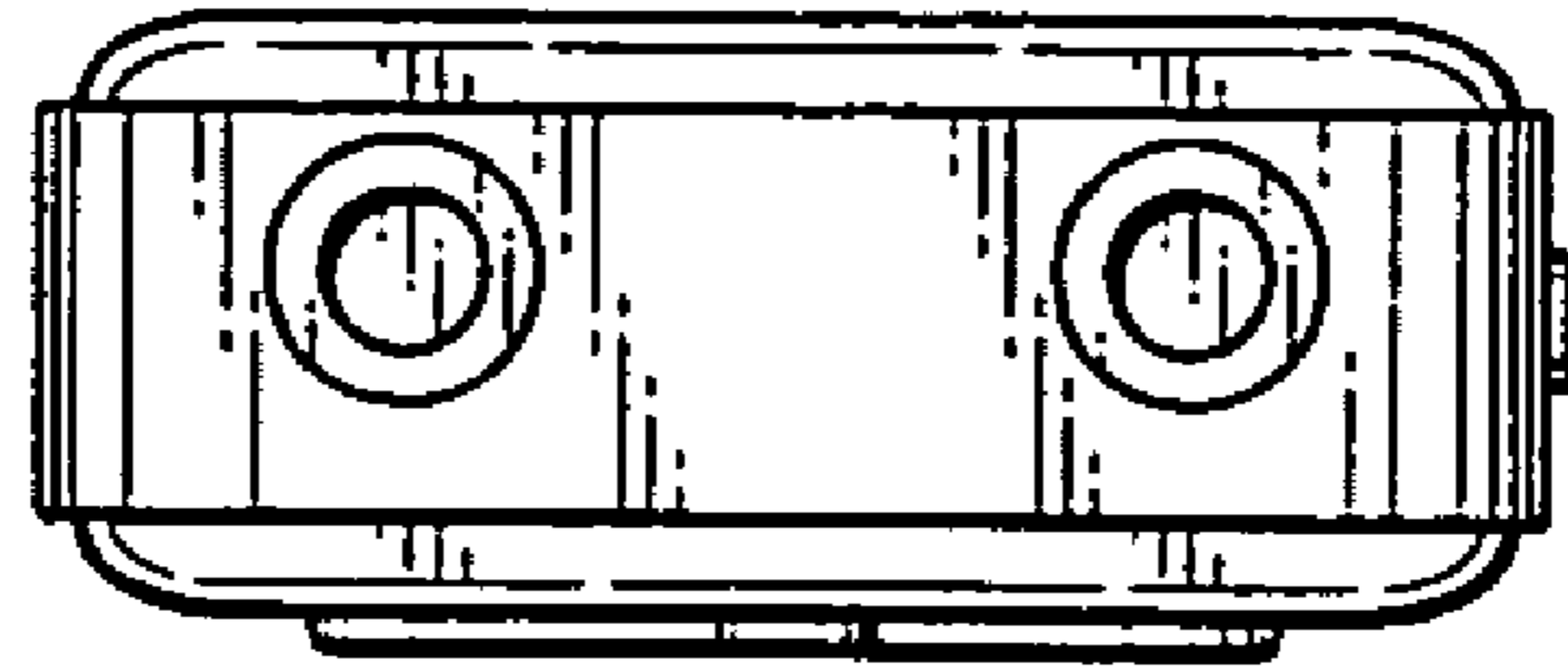


FIG. 4

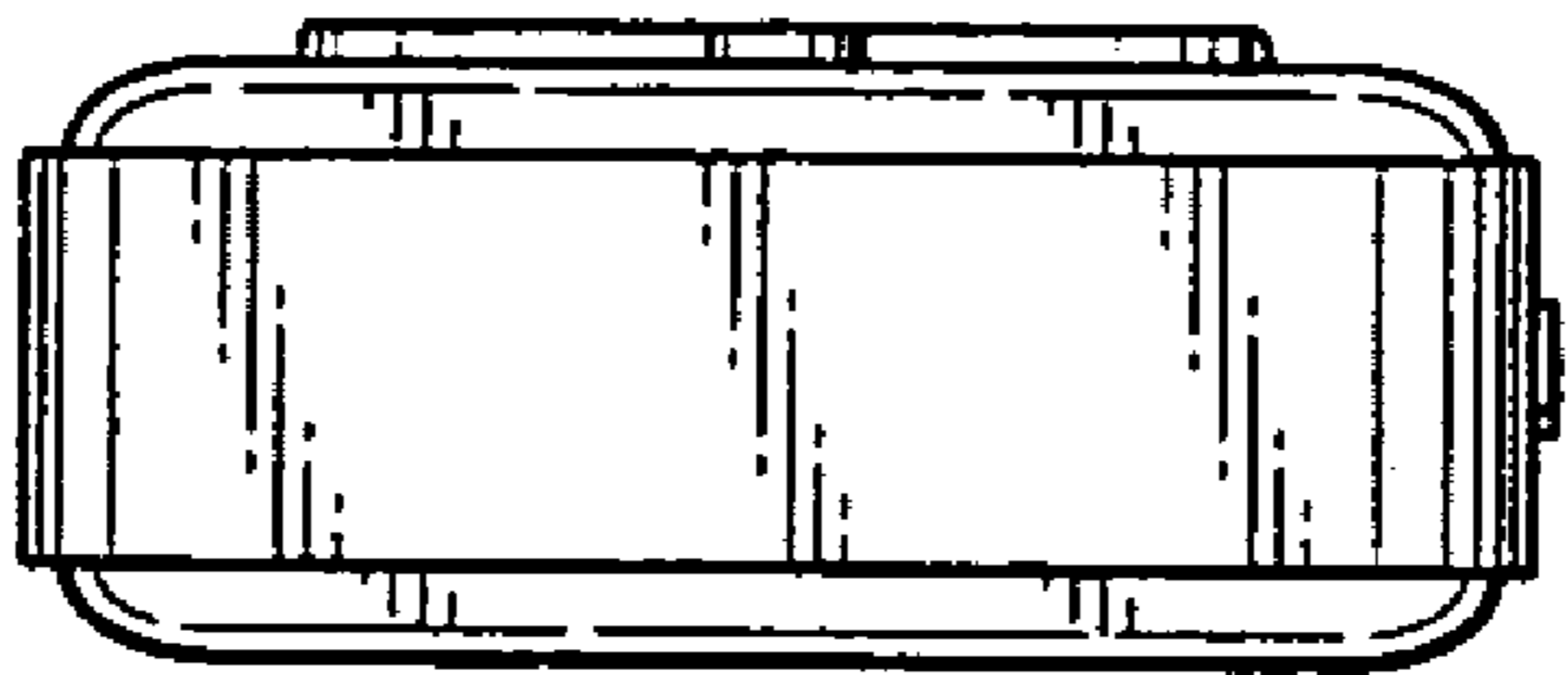


FIG. 5

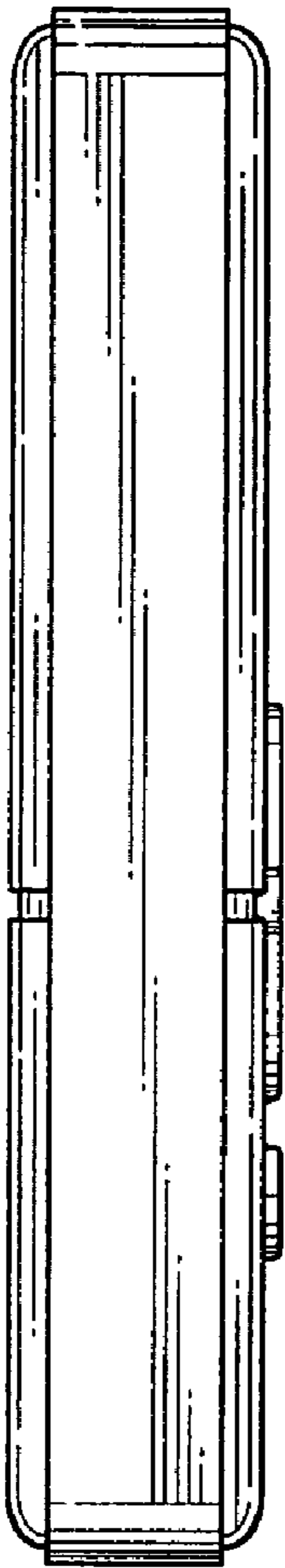


FIG. 6

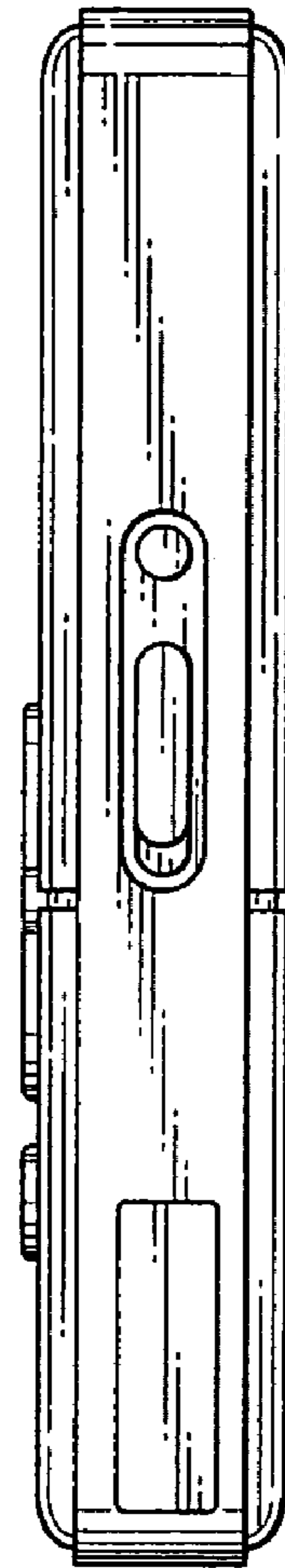


FIG. 7