

US00D549236S

(12) **United States Design Patent** (10) **Patent No.:** **US D549,236 S**
O'Donnell et al. (45) **Date of Patent:** **** Aug. 21, 2007**

(54) **ICON FOR A PORTION OF A DISPLAY SCREEN**

(75) Inventors: **Adrienne E. O'Donnell**, Seattle, WA (US); **Michael A. LaJoie**, Seattle, WA (US); **Robert Kenneth Stein**, Redmond, WA (US); **Paul Gusmorino**, Seattle, WA (US); **Mark Ligameri**, Austin, TX (US); **Jenny Lam**, Redmond, WA (US); **Greg S. Melander**, Redmond, WA (US); **Talos Shu-Ming Tsui**, Greensboro, NC (US)

(73) Assignee: **Microsoft Corporation**, Redmond, WA (US)

(**) Term: **14 Years**

(21) Appl. No.: **29/279,254**

(22) Filed: **Apr. 24, 2007**

Related U.S. Application Data

(63) Continuation of application No. 29/276,120, filed on Jan. 16, 2007, which is a continuation of application No. 29/246,900, filed on May 19, 2006.

(51) **LOC (8) Cl.** **14-04**

(52) **U.S. Cl.** **D14/493**

(58) **Field of Classification Search** D14/485-95;
D18/24-33; D19/6; D20/11; D21/324-33;
715/700-867

See application file for complete search history.

(56) **References Cited**

U.S. PATENT DOCUMENTS

D341,848 S * 11/1993 Bigelow et al. D18/27

D382,553 S 8/1997 Thomas
D393,256 S 4/1998 Morioka et al.
D393,852 S 4/1998 Norton
5,801,702 A * 9/1998 Dolan et al. 715/854
D422,582 S 4/2000 Bright et al.
6,057,841 A * 5/2000 Thurlow et al. 715/809
D471,916 S 3/2003 Chaudhri et al.
D482,044 S * 11/2003 Peters D14/493
D498,479 S 11/2004 Totten et al.
6,850,255 B2 * 2/2005 Muschetto 715/788
D511,170 S 11/2005 Totten et al.
D511,171 S 11/2005 Totten et al.
D516,574 S 3/2006 Ishida et al.
D536,701 S * 2/2007 Gusmorino et al. D14/492
D537,836 S * 3/2007 Gusmorino et al. D14/492
D540,345 S * 4/2007 Gusmorino et al. D14/492
D540,812 S * 4/2007 Gusmorino et al. D14/492
D540,813 S * 4/2007 Gusmorino et al. D14/492
2002/0018051 A1 * 2/2002 Singh 345/173
2002/0154170 A1 * 10/2002 Dawson 345/773
2003/0098884 A1 * 5/2003 Christensen 345/781

* cited by examiner

Primary Examiner—M. H. Tung

(74) *Attorney, Agent, or Firm*—Banner & Witcoff, Ltd.

(57) **CLAIM**

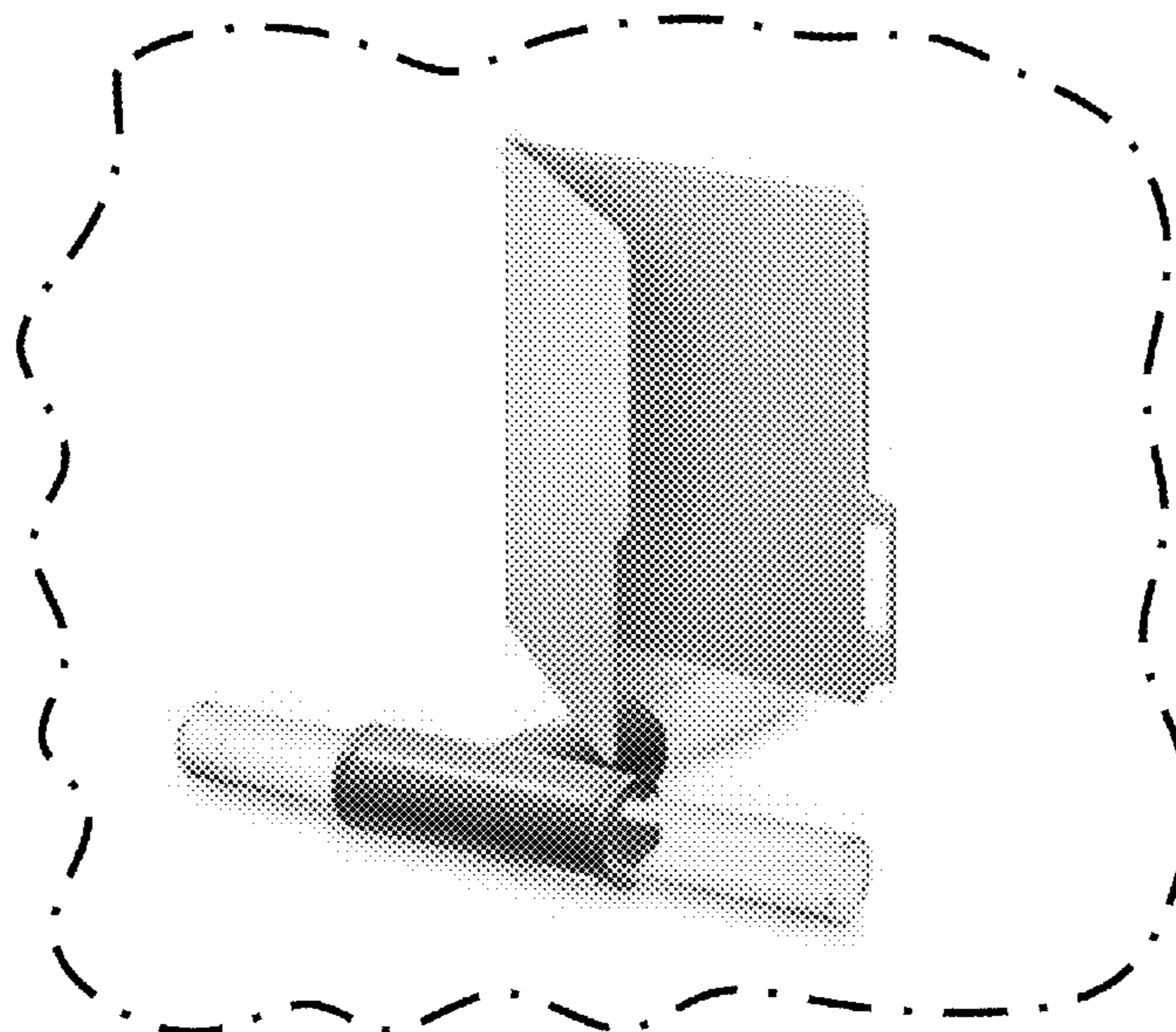
The ornamental design for an icon for a portion of a display screen, as shown and described.

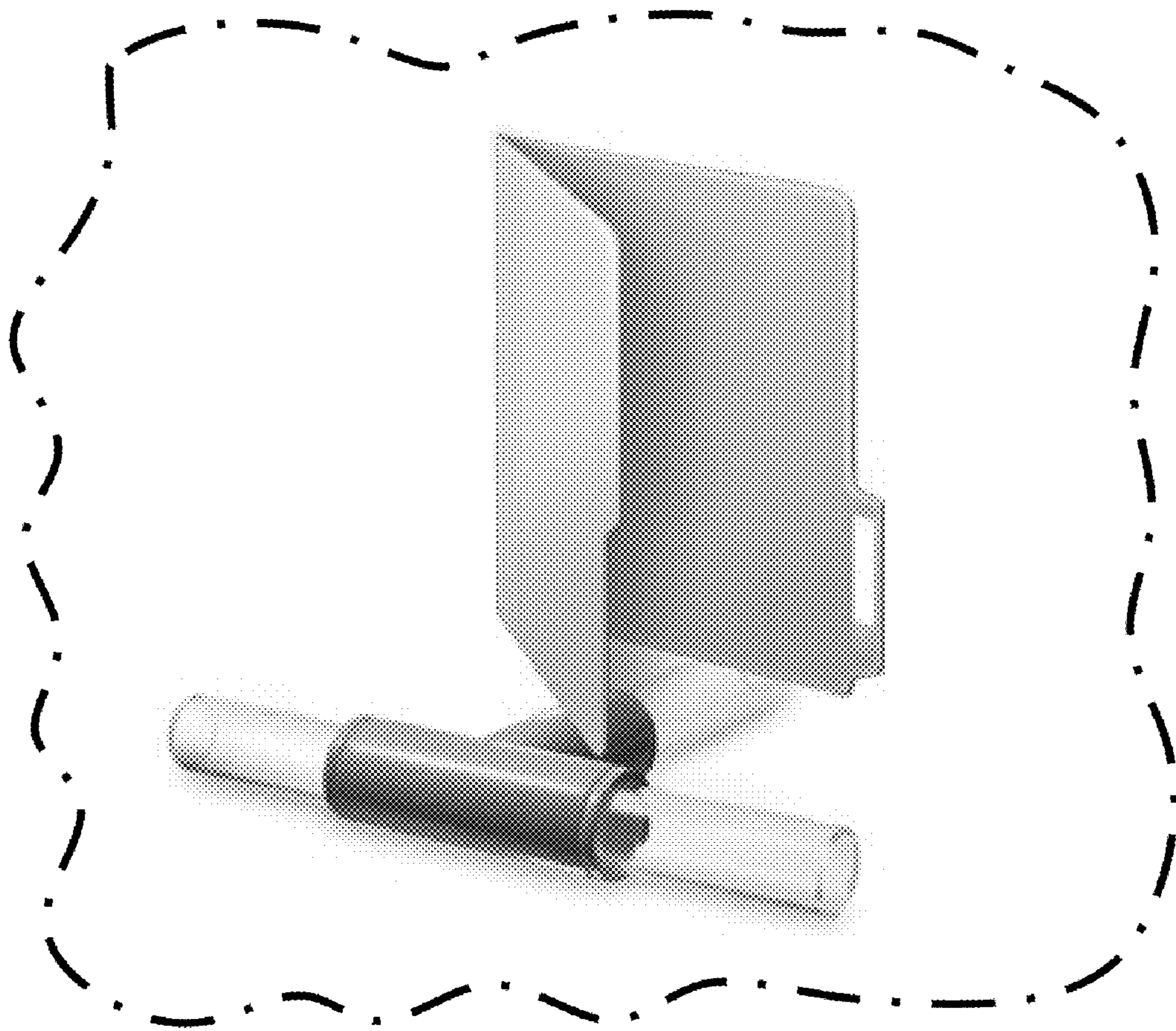
DESCRIPTION

The FIGURE is a front view of an icon for a portion of a display screen showing our new design.

The broken line showing of the portion of a display screen is for illustrative purposes only and forms no part of the claimed design.

1 Claim, 1 Drawing Sheet





FIGURE