

US00D549232S

(12) **United States Design Patent**
Li et al.

(10) **Patent No.:** **US D549,232 S**

(45) **Date of Patent:** **** Aug. 21, 2007**

(54) **STAND FOR ELECTRONIC EQUIPMENT**

(75) Inventors: **Tao Li**, Shenzhen (CN); **Ding-Ding Zhang**, Shenzhen (CN); **Bo Qiu**, Shenzhen (CN)

(73) Assignee: **Hon Hai Precision Industry Co., Ltd.**, Tu-Cheng, Taipei Hsien (TW)

(**) Term: **14 Years**

(21) Appl. No.: **29/237,179**

(22) Filed: **Aug. 26, 2005**

(30) **Foreign Application Priority Data**

Jun. 10, 2005 (CN) 2005 3 0061446

(51) **LOC (8) Cl.** **14-02**

(52) **U.S. Cl.** **D14/447; D14/434; D14/451**

(58) **Field of Classification Search** D14/432-434, D14/448, 447, 224, 451, 375; 273/148 R, 273/148 B; 463/1, 46, 47; 248/441.1, 917-919; 361/683, 686; 108/28; D6/300, 329
See application file for complete search history.

(56) **References Cited**

U.S. PATENT DOCUMENTS

- 5,899,421 A * 5/1999 Silverman 248/175
- D415,742 S * 10/1999 Kolls D14/434
- D415,768 S * 10/1999 Howell D14/451
- 6,189,842 B1 * 2/2001 Bergeron Gull et al. . 248/125.1
- 6,499,704 B2 * 12/2002 Oddsen, Jr. 248/125.1

- D473,878 S * 4/2003 Park D14/451
- D480,730 S * 10/2003 Doherty et al. D14/447
- D486,492 S * 2/2004 Sheu et al. D14/434
- D491,952 S * 6/2004 Oddsen et al. D14/447
- 6,913,232 B2 * 7/2005 Richter 248/205.8
- D508,916 S * 8/2005 Lee D14/447
- D539,290 S * 3/2007 Zhu et al. D14/447

* cited by examiner

Primary Examiner—Prabhakar Deshmukh

(74) *Attorney, Agent, or Firm*—Jeffrey T. Knapp

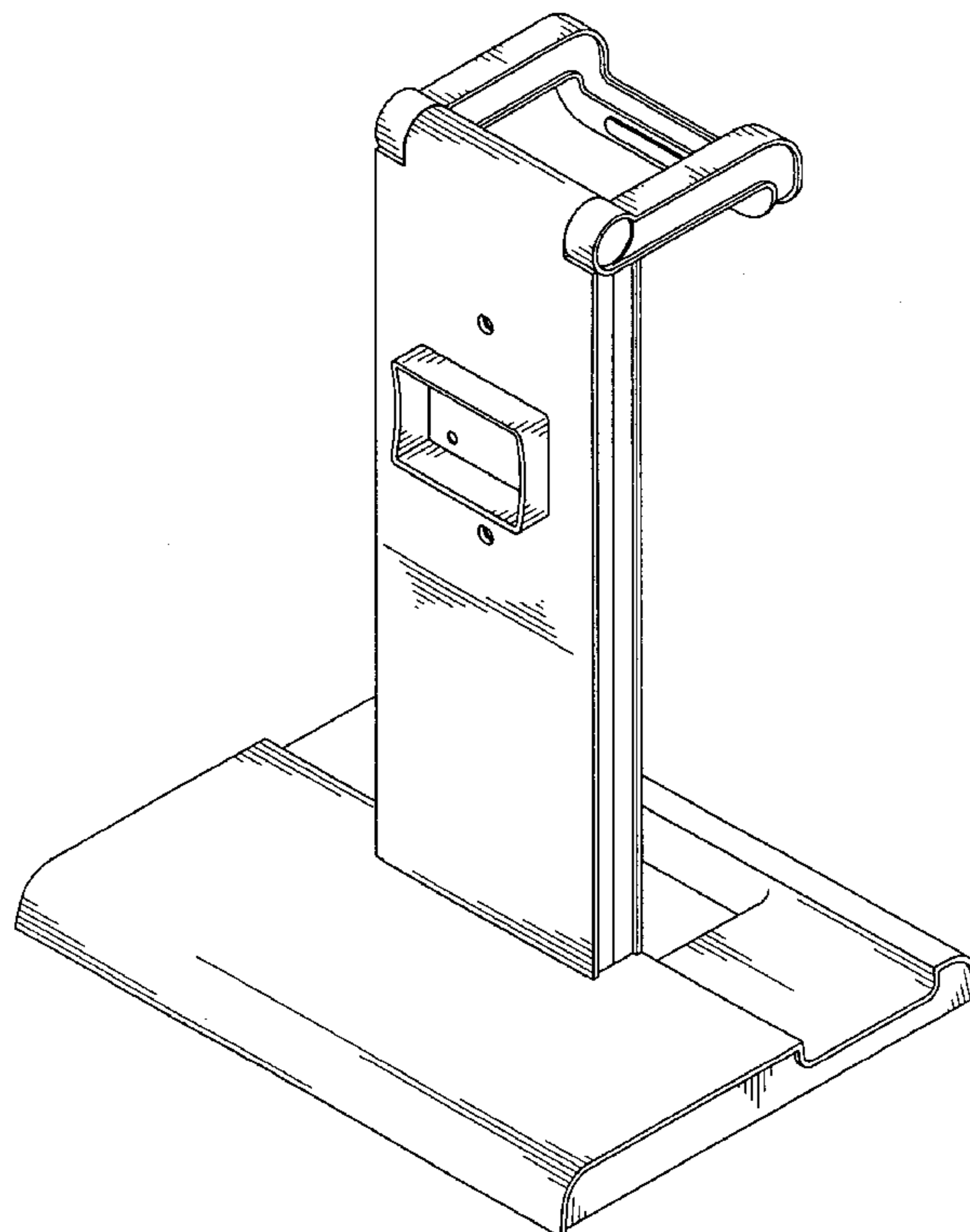
(57) **CLAIM**

The ornamental design for a stand for electronic equipment, as shown and described.

DESCRIPTION

FIG. 1 is a perspective view of a stand for electronic equipment showing our new design;
 FIG. 2 is a front elevational view thereof;
 FIG. 3 is a rear elevational view thereof;
 FIG. 4 is a left side elevational view thereof;
 FIG. 5 is a right side elevational view thereof;
 FIG. 6 is a top plan view thereof;
 FIG. 7 is a bottom plan view thereof; and,
 FIG. 8 is a perspective view thereof being mounted to an electronic equipment; broken lines are for illustrative purposes only and form no part of the claimed design.

1 Claim, 8 Drawing Sheets



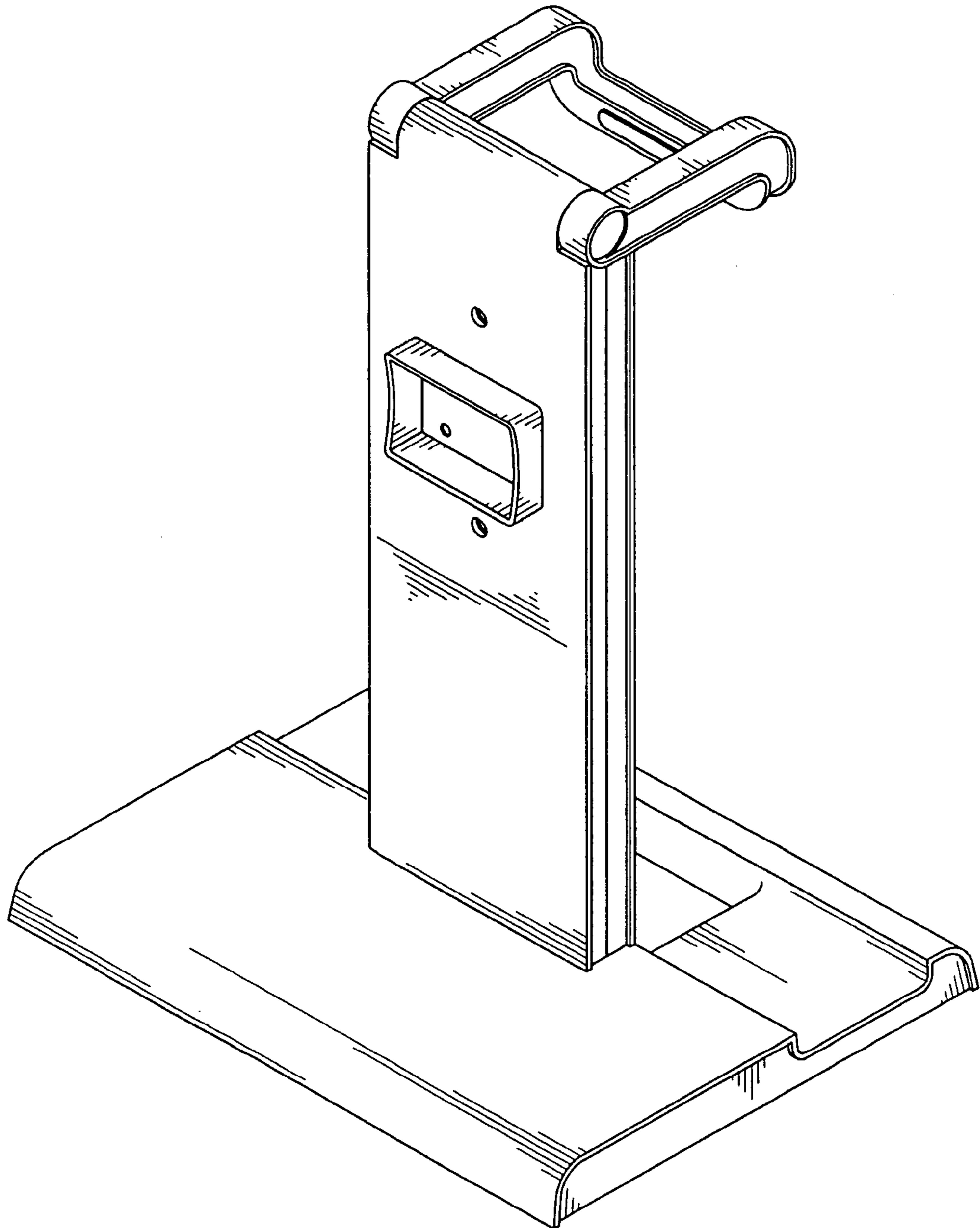


FIG. 1

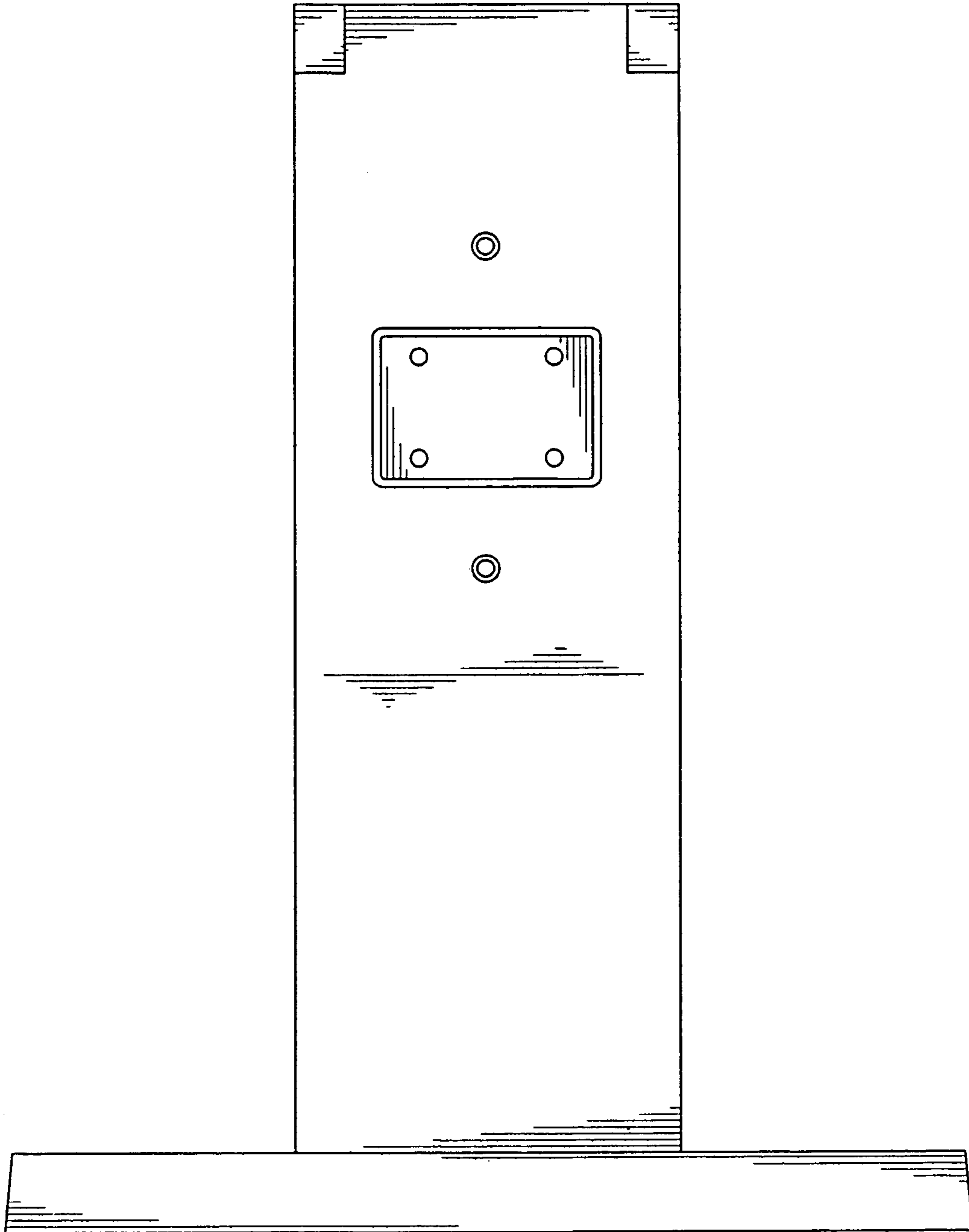


FIG. 2

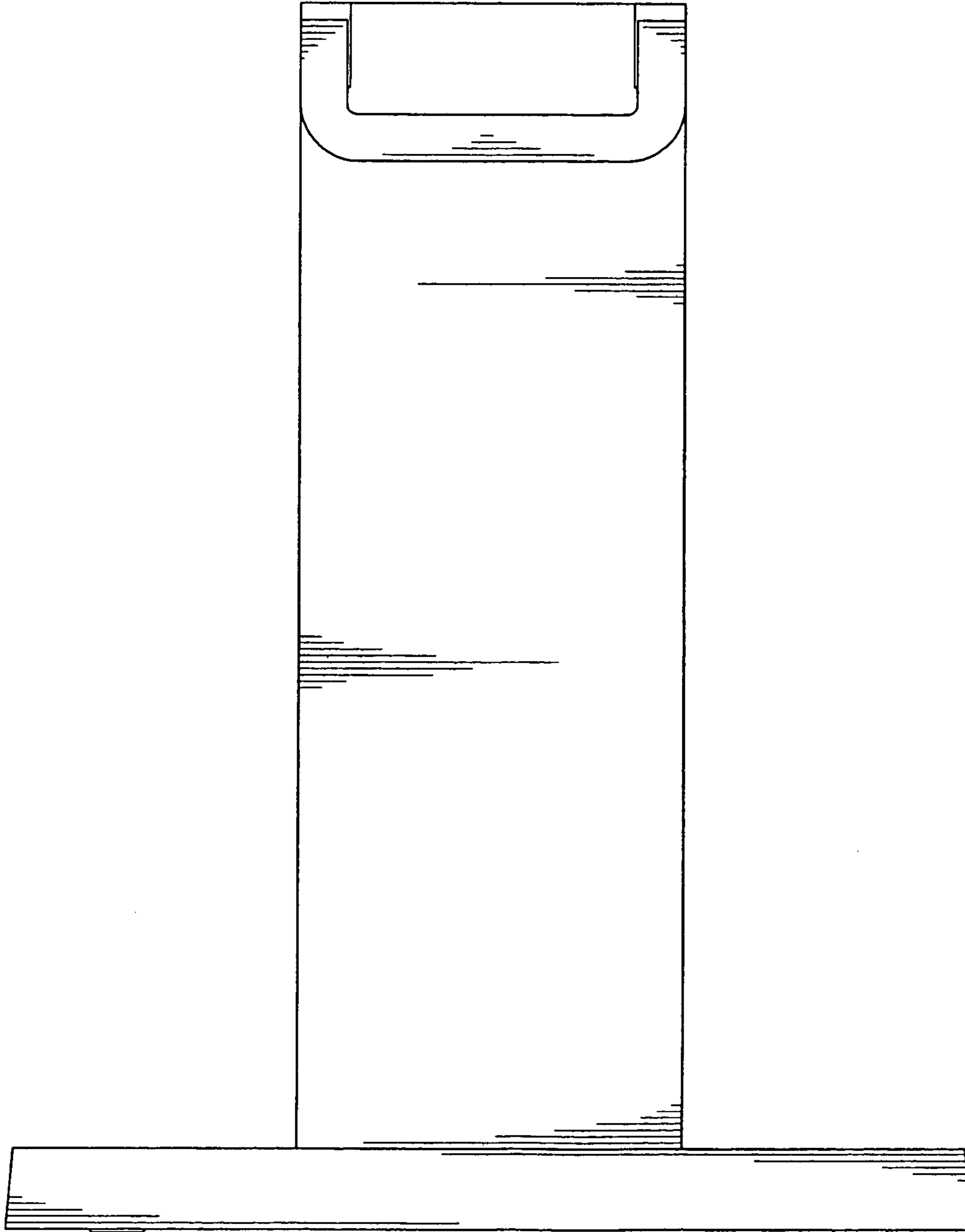


FIG. 3

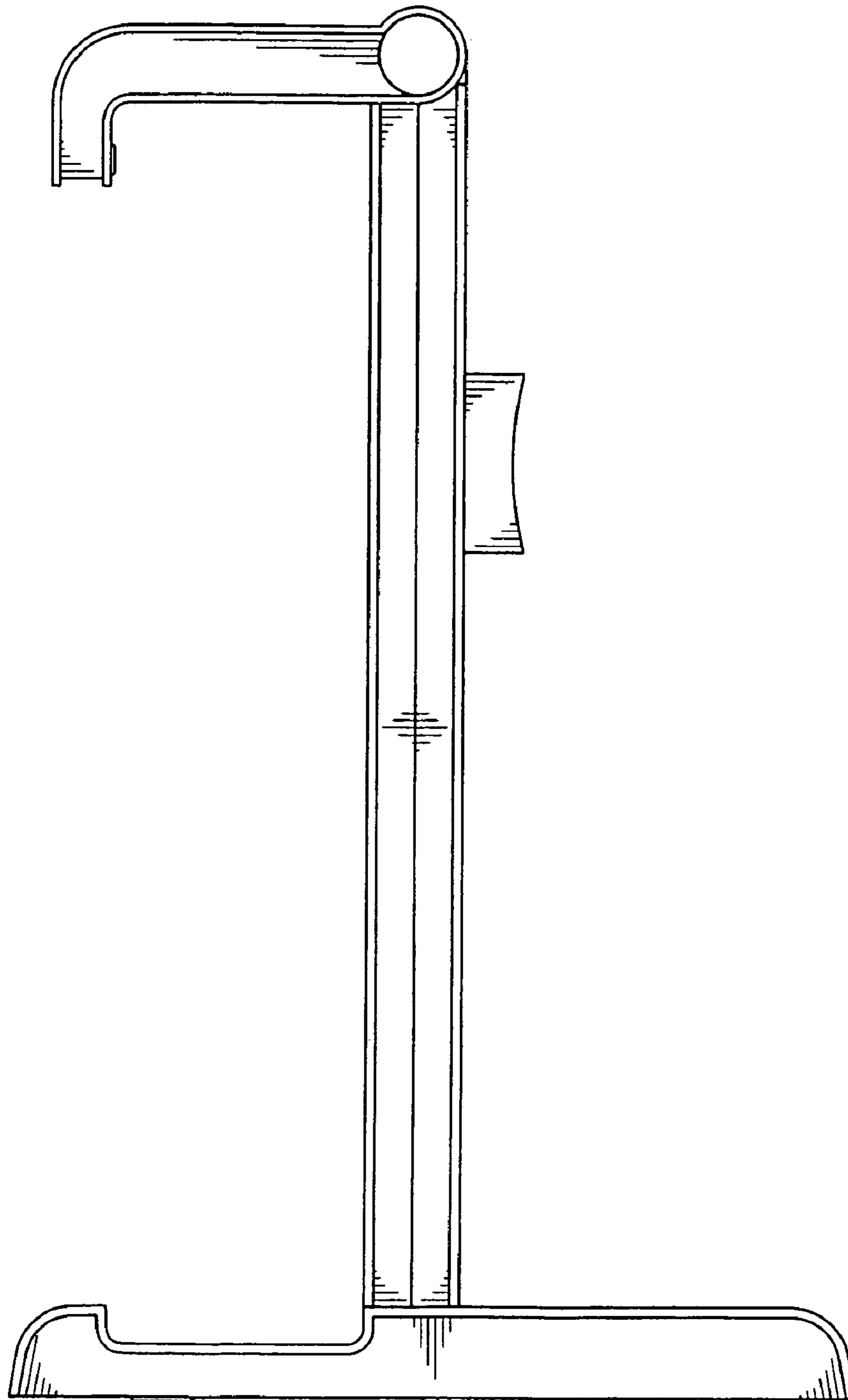


FIG. 4

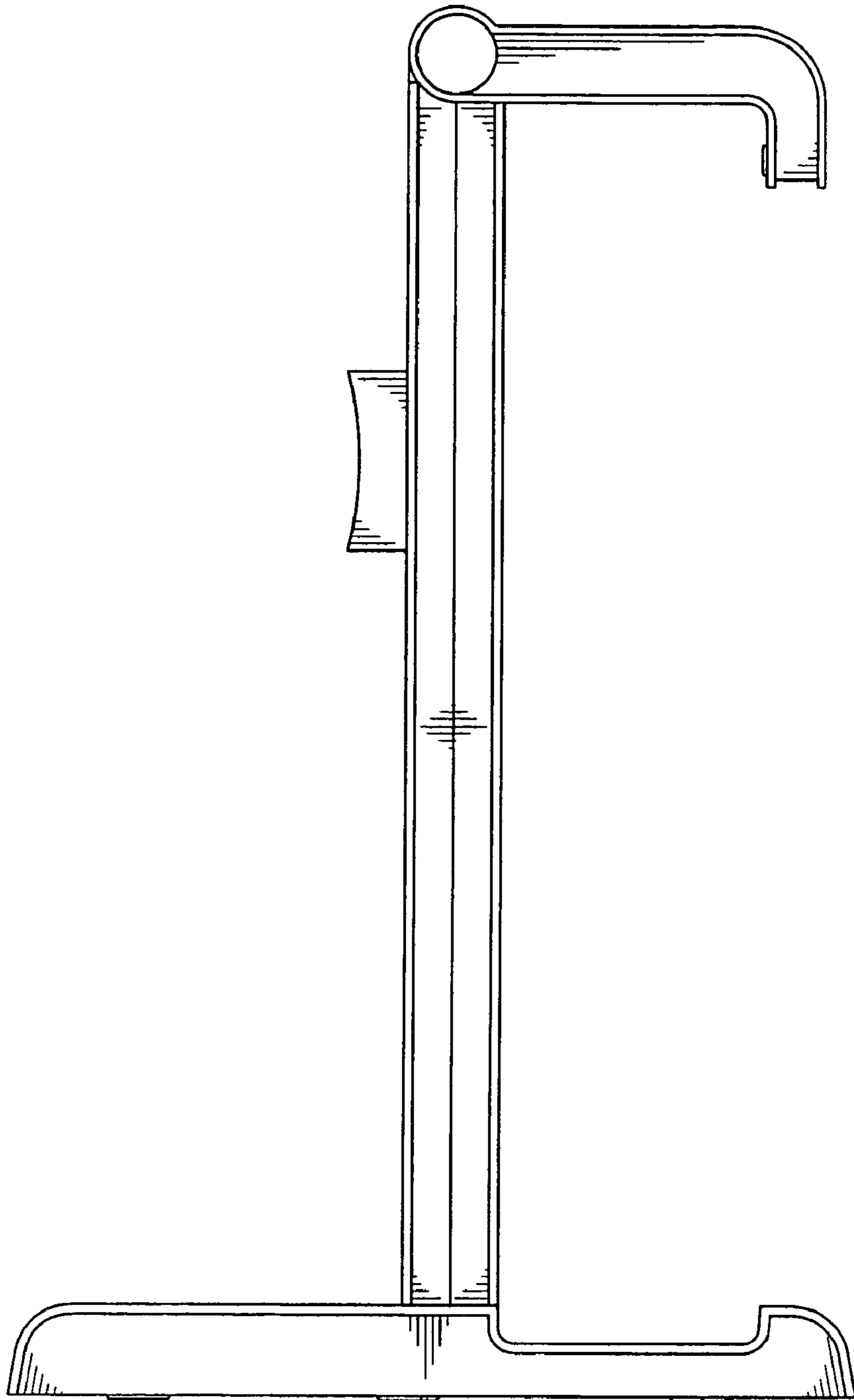


FIG. 5

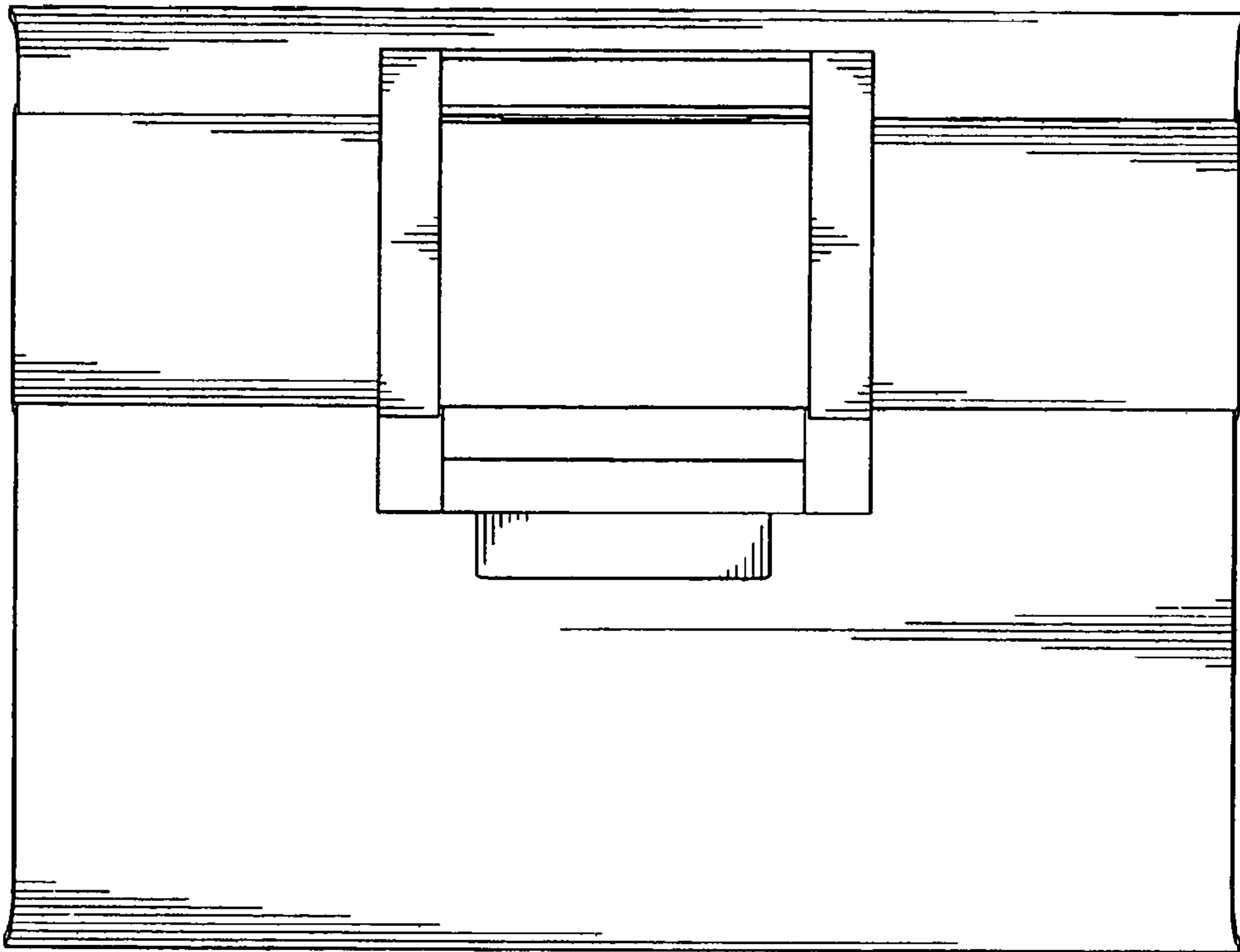


FIG. 6

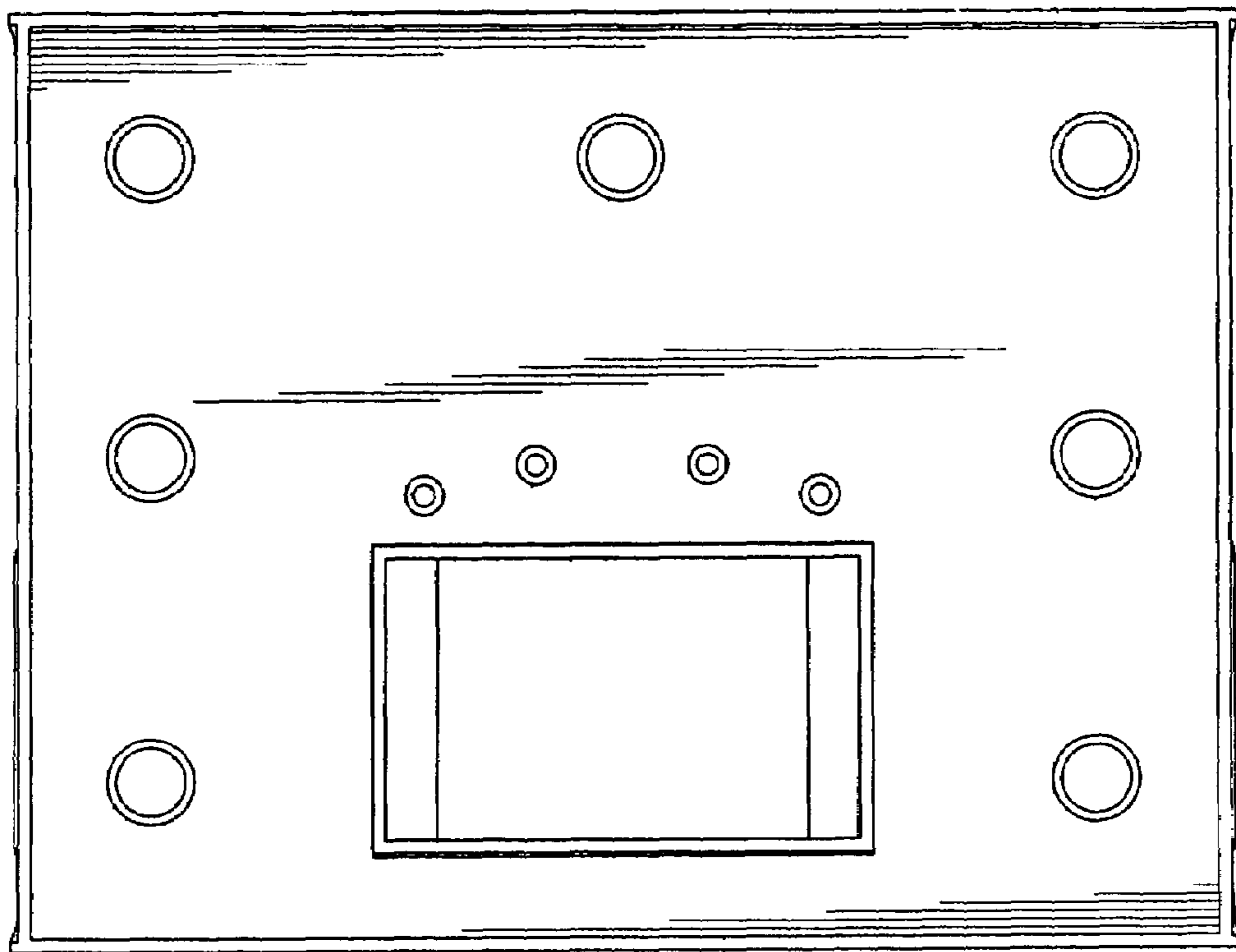


FIG. 7

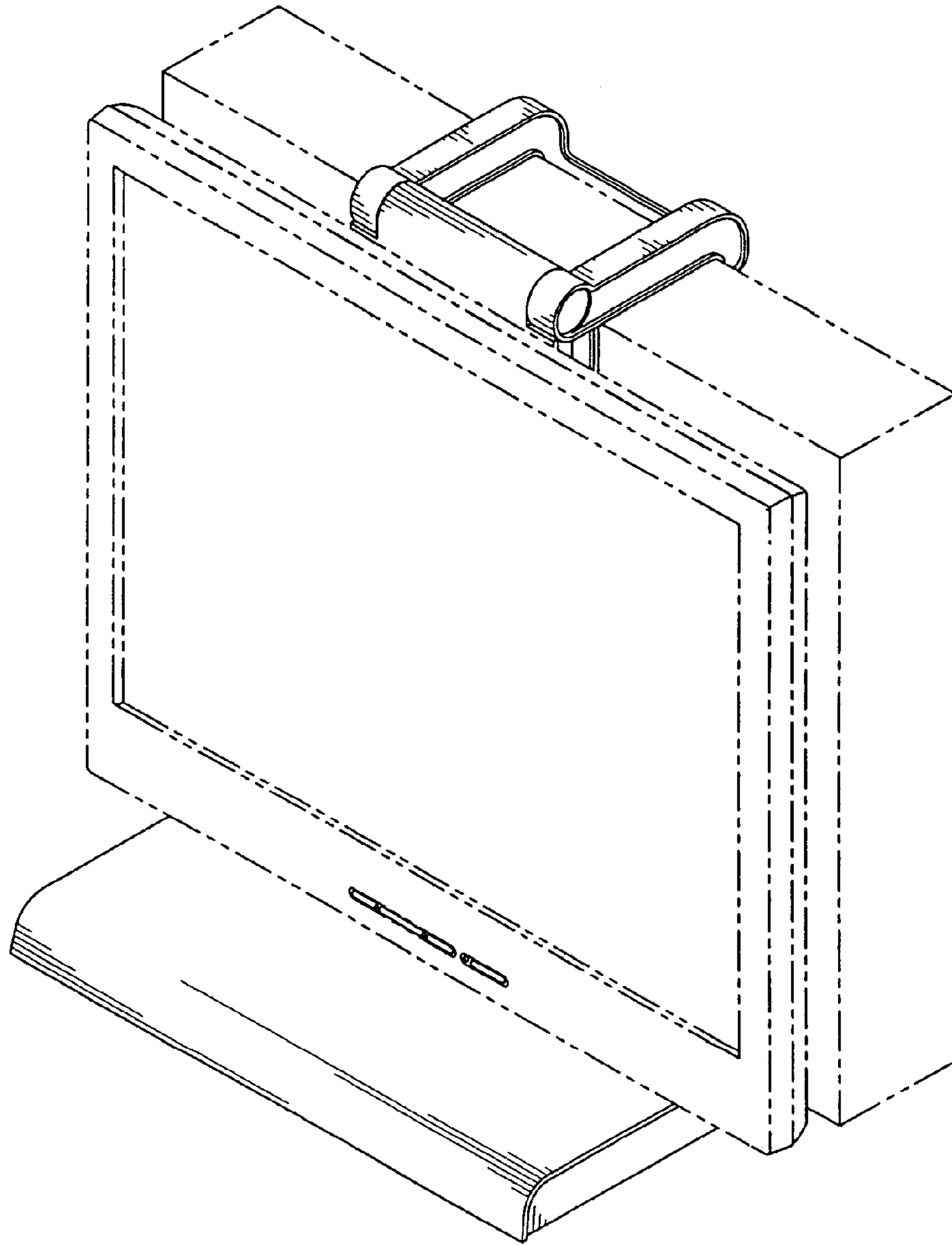


FIG. 8