

US00D549230S

(12) **United States Design Patent**
Luo et al.

(10) **Patent No.:** **US D549,230 S**

(45) **Date of Patent:** **** Aug. 21, 2007**

(54) **SCANNER**

(75) Inventors: **Danni Luo**, Guan-Juo (CN); **Dasie Lei**, Guan-Jhou (CN)

(73) Assignee: **Lite-On Technology Corporation**, Taipei (TW)

(**) Term: **14 Years**

(21) Appl. No.: **29/252,089**

(22) Filed: **Jan. 19, 2006**

(30) **Foreign Application Priority Data**

Dec. 16, 2005 (TW) 94307739

(51) **LOC (8) Cl.** **14-02**

(52) **U.S. Cl.** **D14/421**

(58) **Field of Classification Search** D14/421-425;
D18/36-39, 55; 355/81, 75; 399/405, 367,
399/379, 380; 358/497; 235/470, 462.43,
235/482, 483

See application file for complete search history.

(56) **References Cited**

U.S. PATENT DOCUMENTS

D201,722 S * 7/1965 Van Acker et al. D18/14
D311,909 S * 11/1990 Chen D14/420
5,301,244 A * 4/1994 Parulski 382/319
D350,769 S * 9/1994 Hattori et al. D18/49

D371,120 S * 6/1996 Kono et al. D14/425
D380,204 S * 6/1997 Kogoh et al. D14/425
D415,127 S * 10/1999 Ueda D14/425
D450,052 S * 11/2001 Khovaylo et al. D14/425
D469,769 S * 2/2003 Sugitani et al. D14/425
D472,266 S * 3/2003 Khovaylo et al. D18/49
D478,082 S * 8/2003 Khovaylo et al. D14/425

* cited by examiner

Primary Examiner—M. H. Tung

Assistant Examiner—Susan Moon Lee

(74) *Attorney, Agent, or Firm*—Rabin & Berdo, P.C.

(57) **CLAIM**

The ornamental design for a scanner, as shown and described.

DESCRIPTION

FIG. 1 is a perspective view of a scanner showing our new design;

FIG. 2 is front view thereof;

FIG. 3 is a rear view thereof;

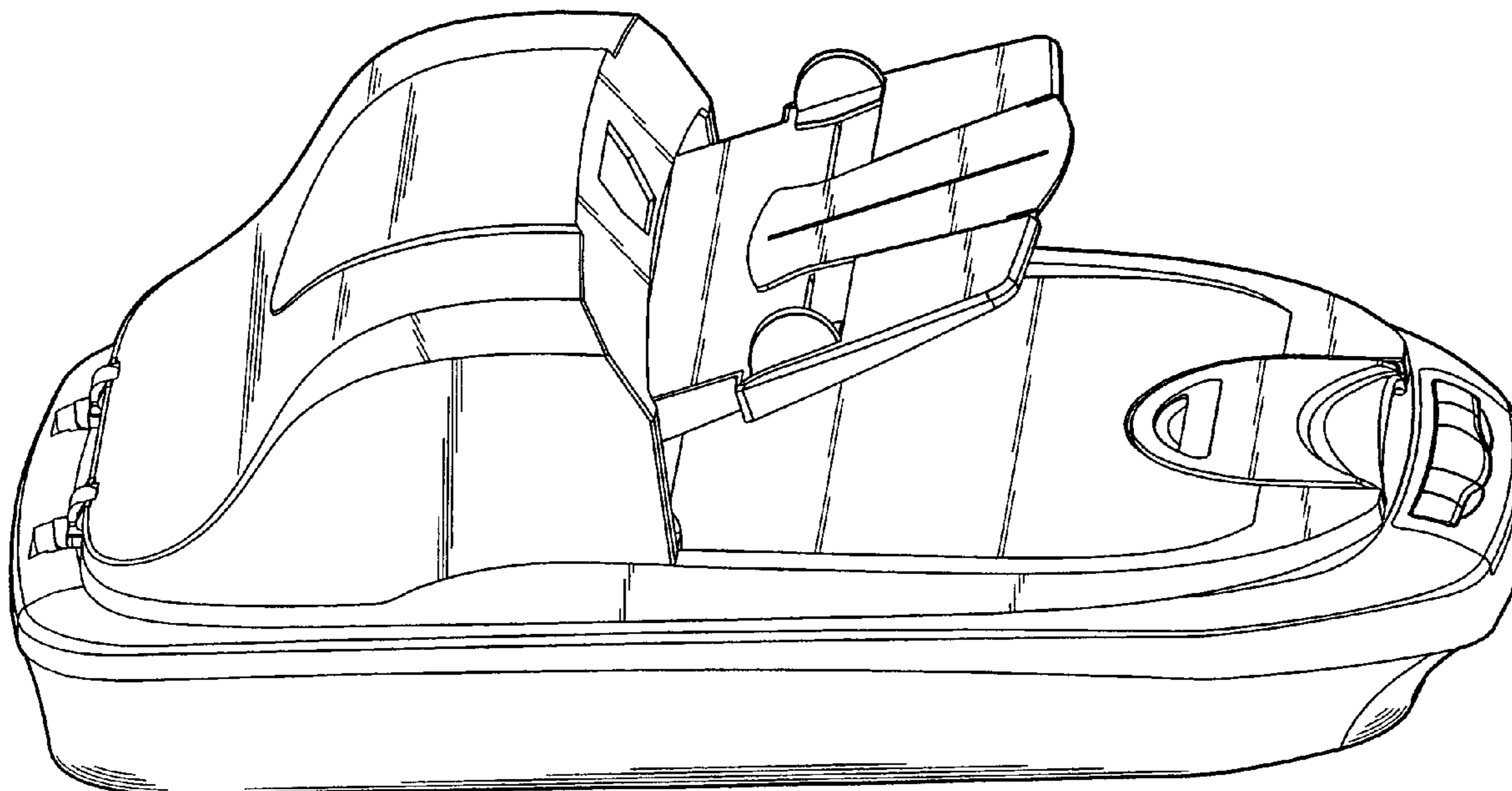
FIG. 4 is a left side elevational view thereof;

FIG. 5 is a right side elevational view thereof;

FIG. 6 is a top view thereof; and,

FIG. 7 is a bottom view thereof.

1 Claim, 6 Drawing Sheets



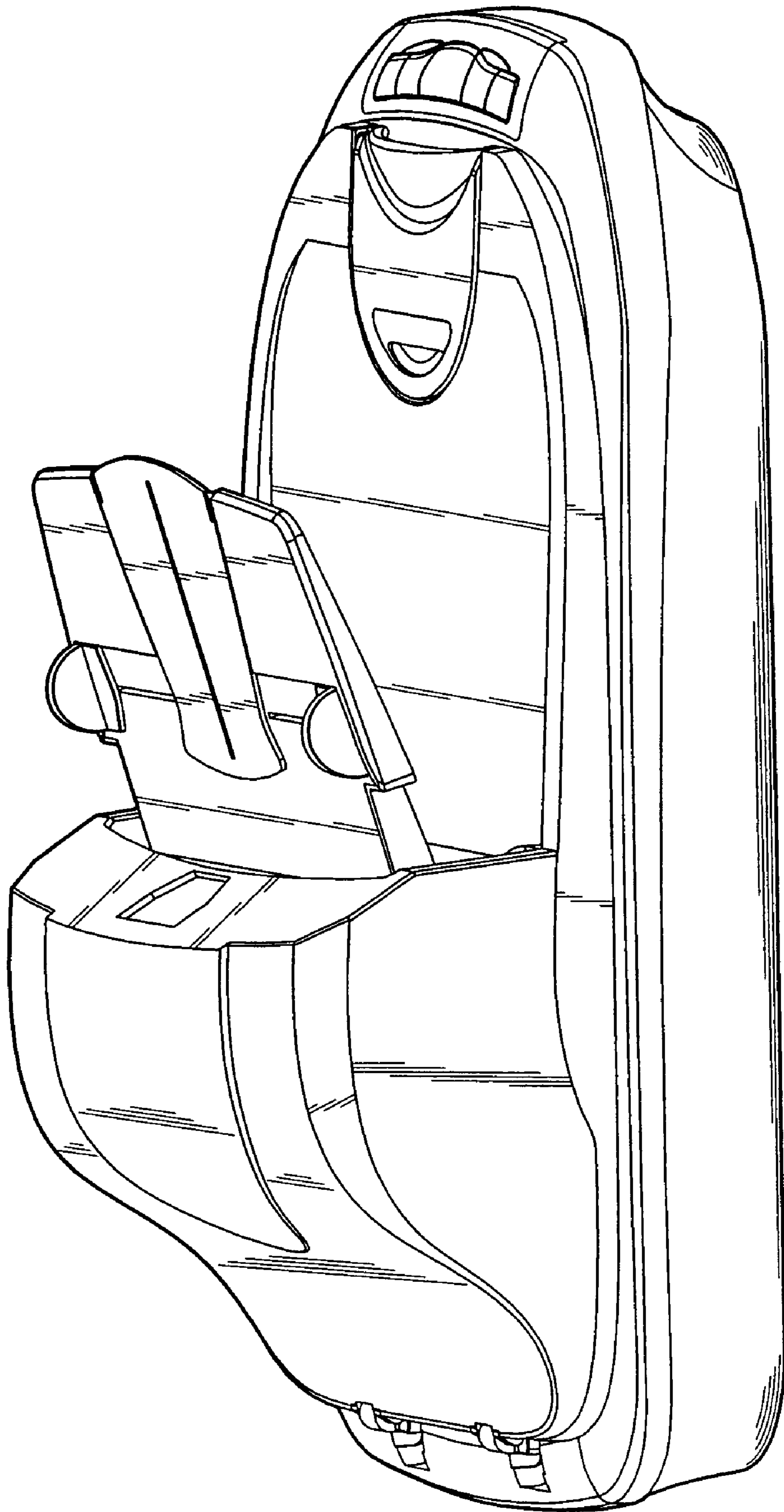


FIG.1

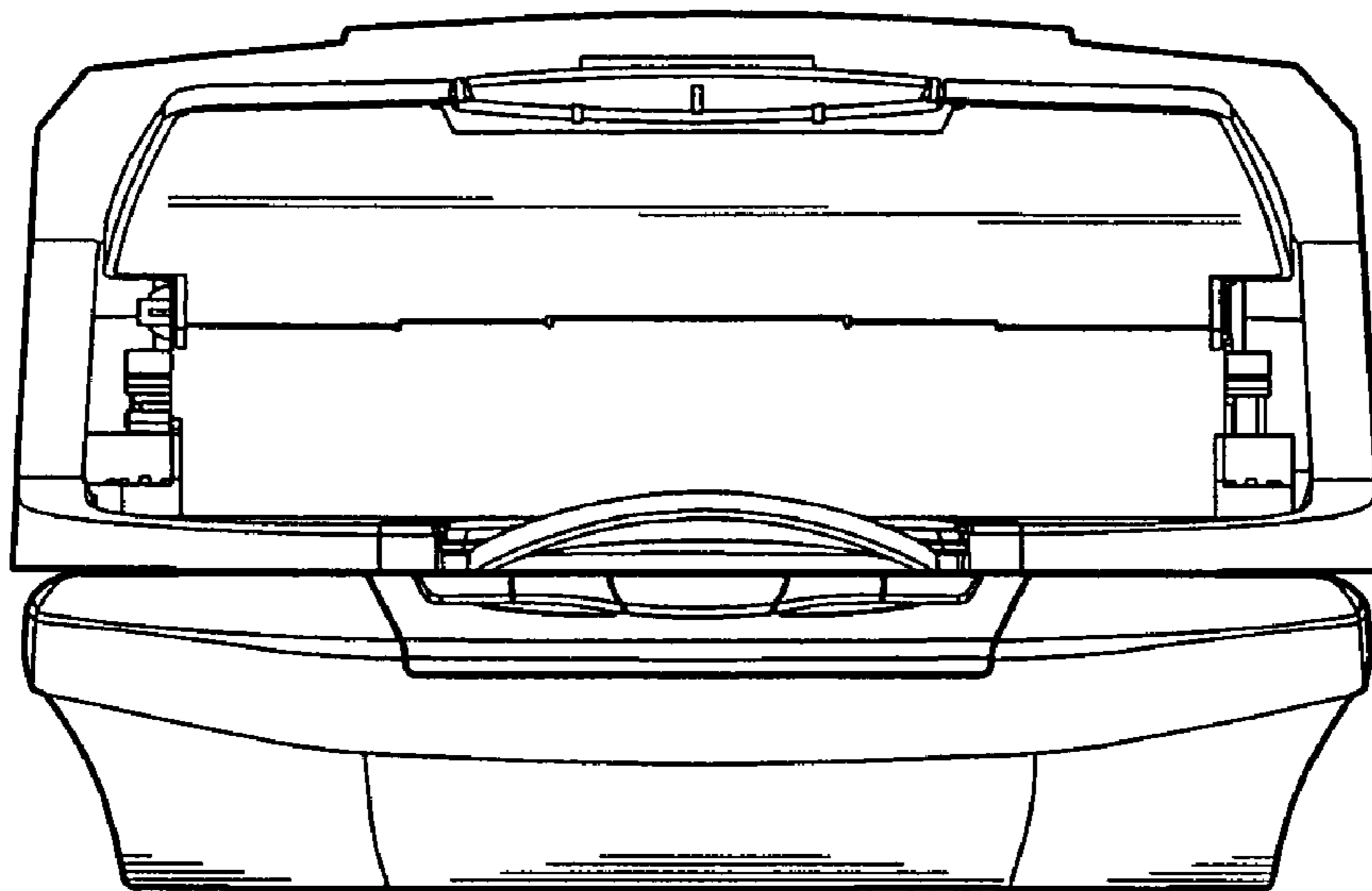


FIG. 2

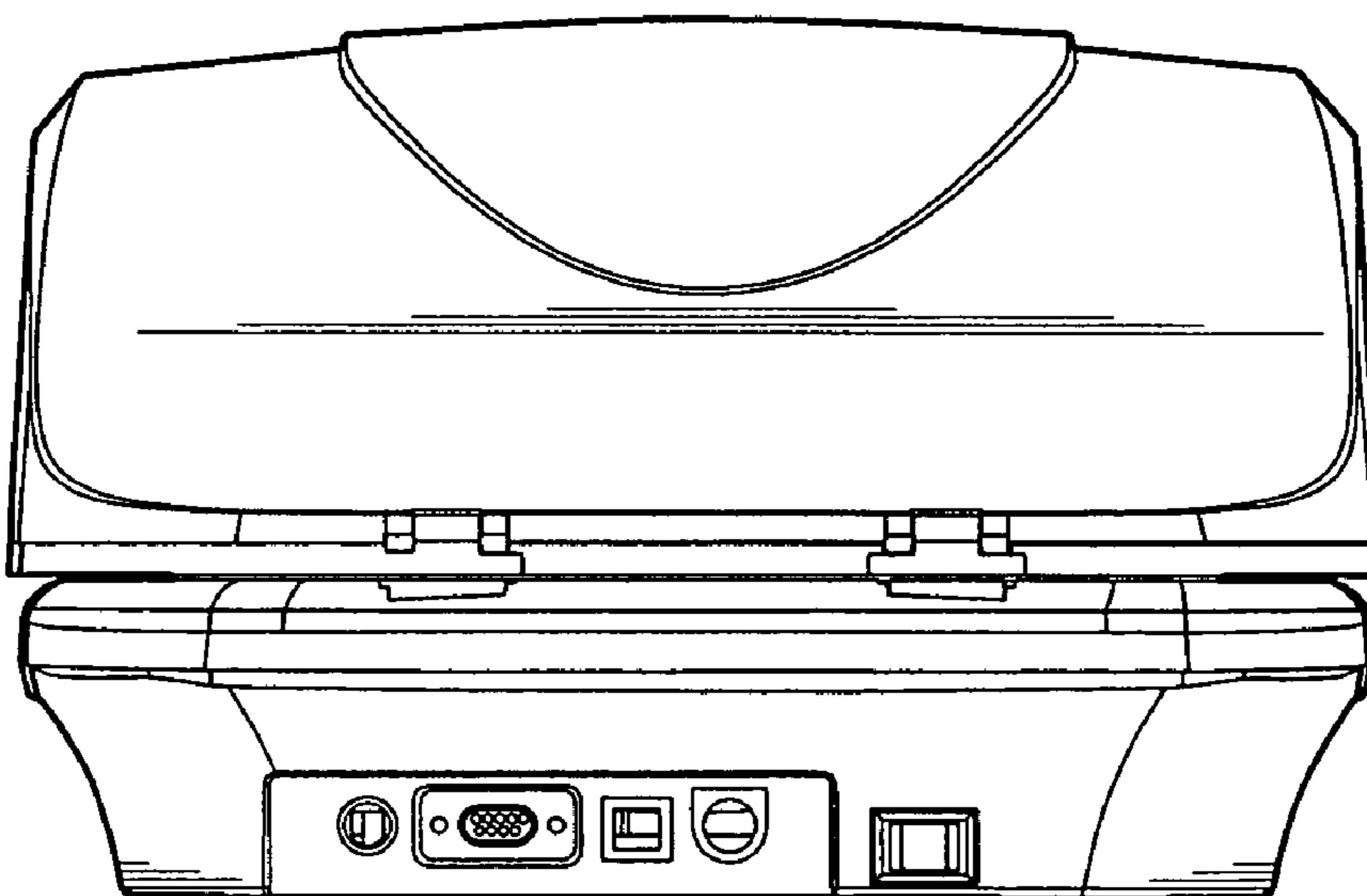


FIG. 3

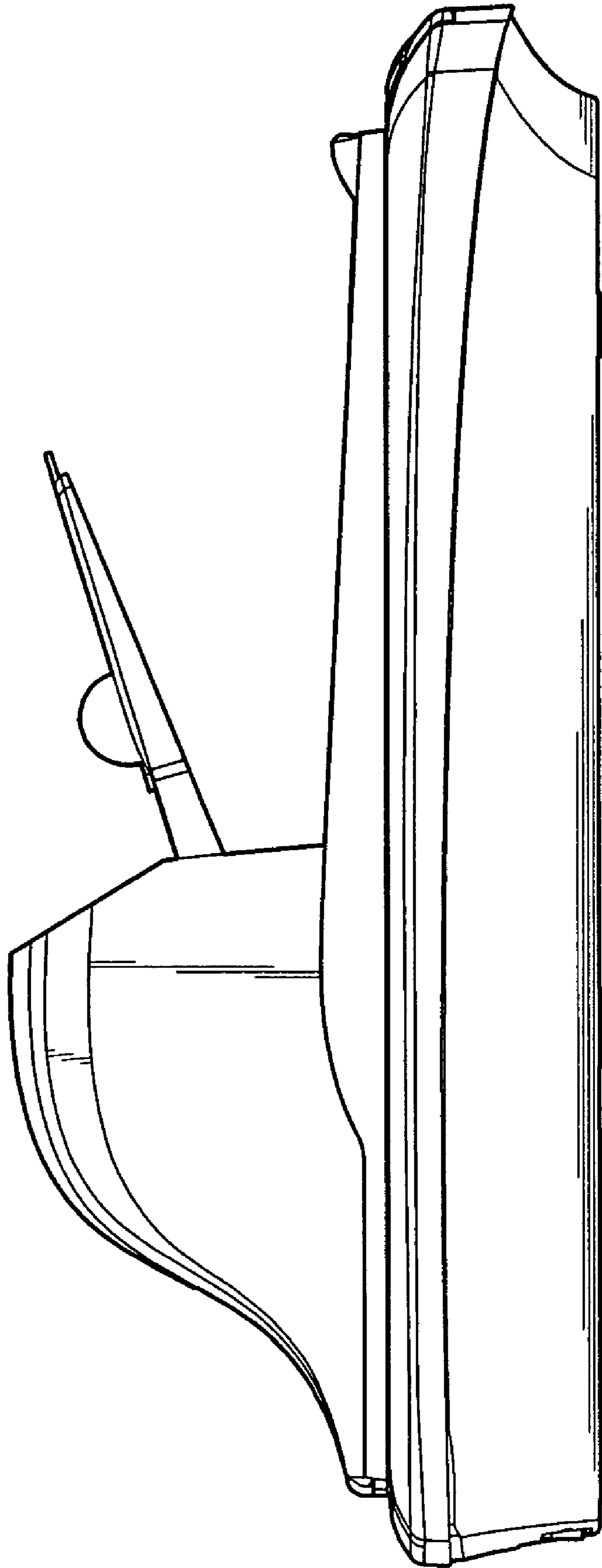


FIG.4

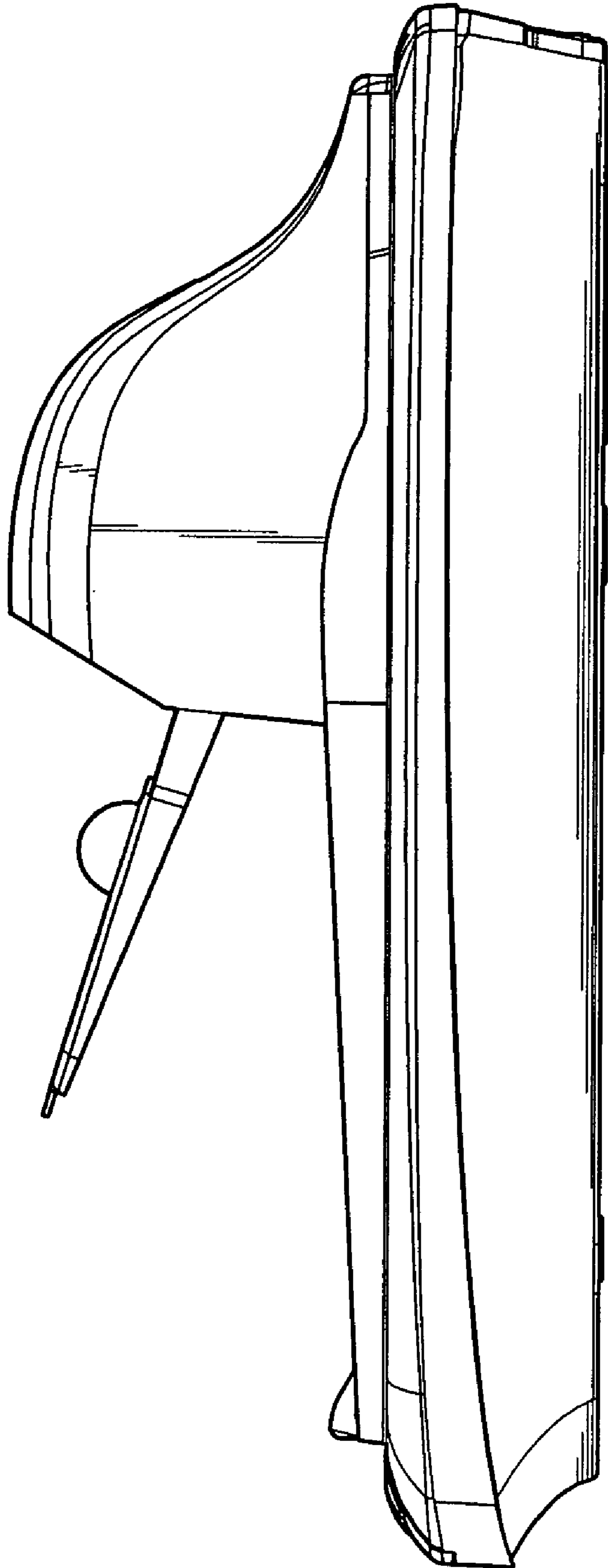


FIG. 5

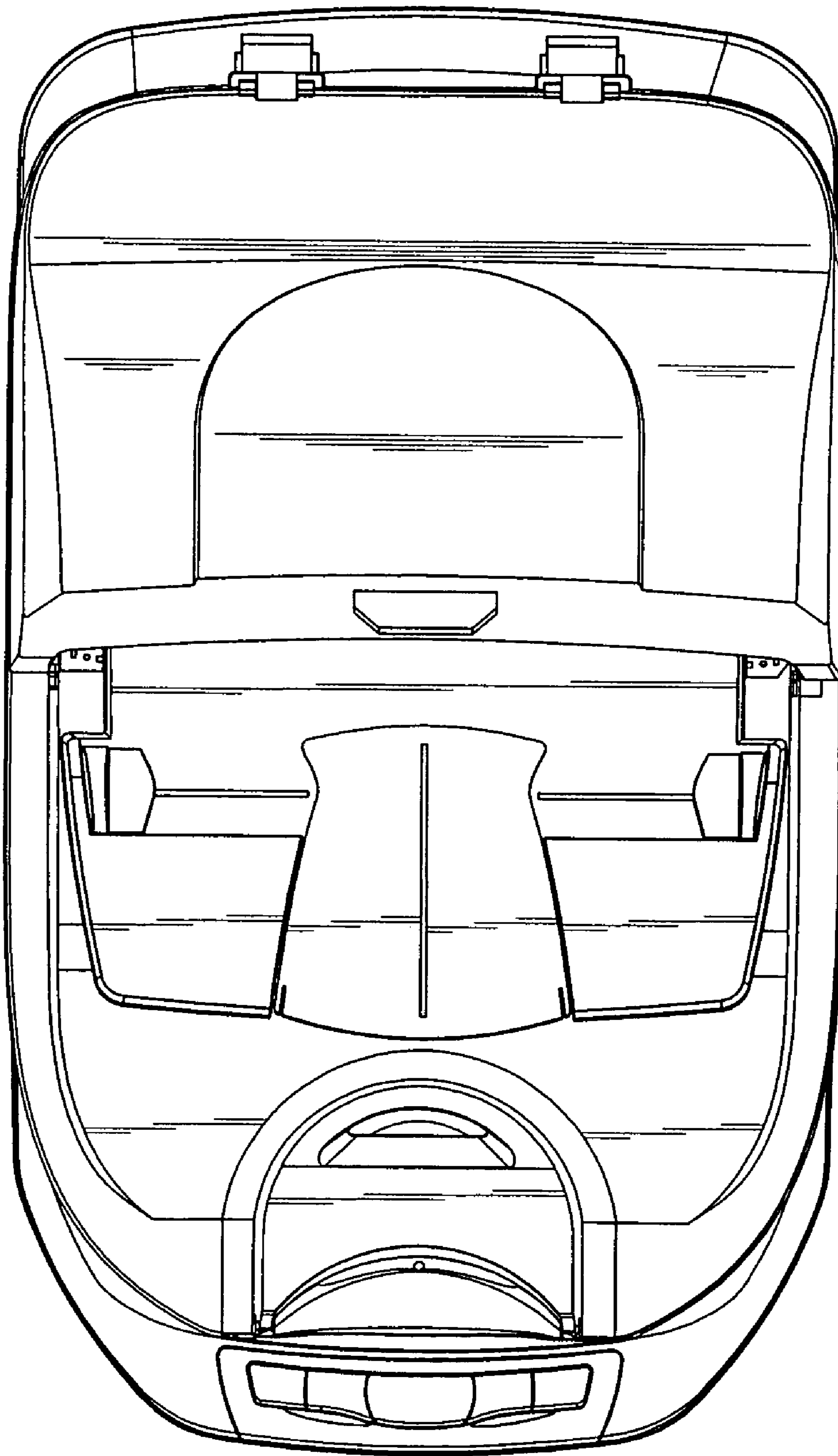


FIG.6

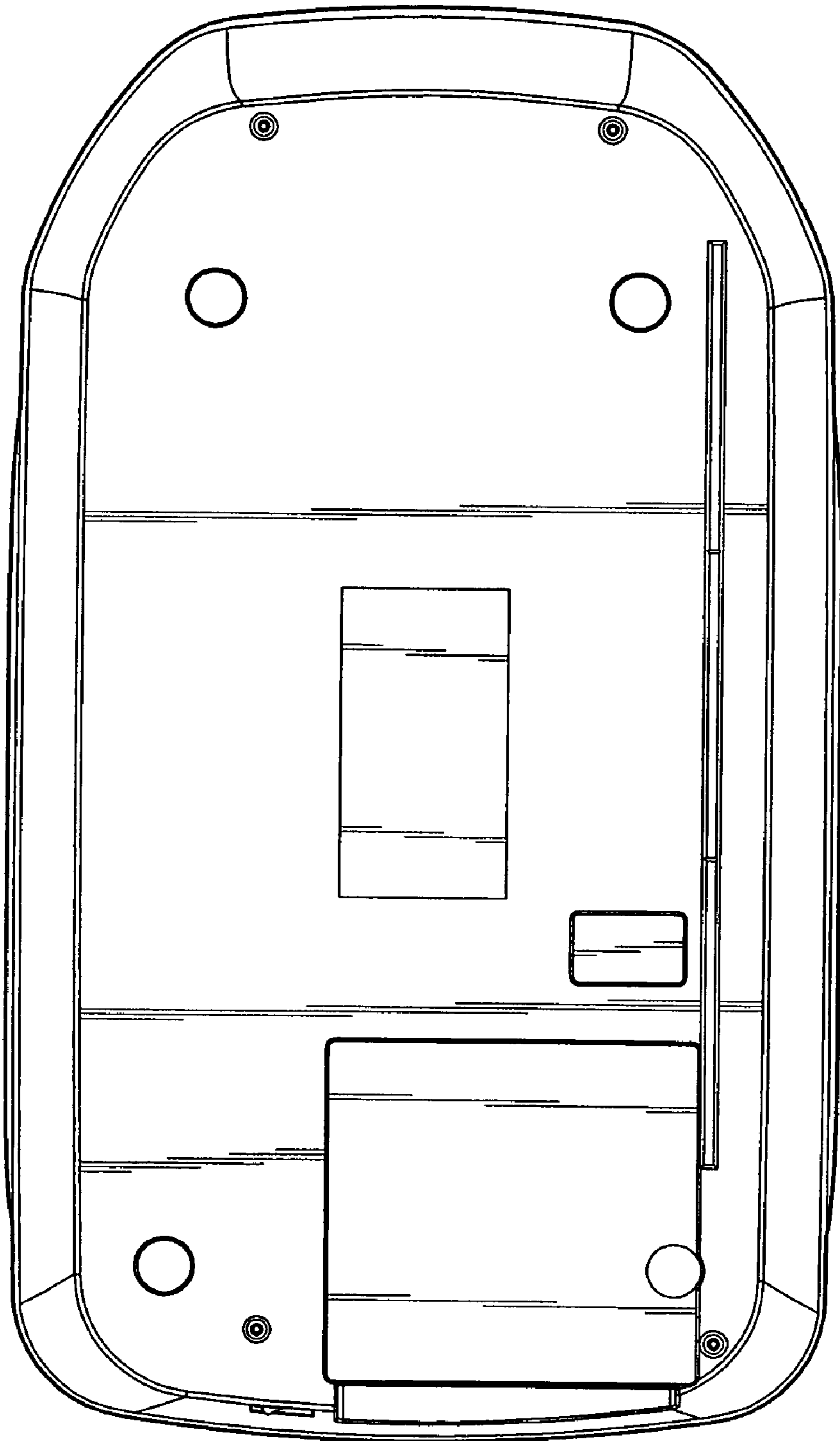


FIG. 7

UNITED STATES PATENT AND TRADEMARK OFFICE
CERTIFICATE OF CORRECTION

PATENT NO. : Des. 549,230 S
APPLICATION NO. : 29/252089
DATED : August 21, 2007
INVENTOR(S) : Danni Luo et al.

Page 1 of 1

It is certified that error appears in the above-identified patent and that said Letters Patent is hereby corrected as shown below:

Title page Item (75): Change first inventor Danni Luo's address from "Guan-Juo (CN)" to --Guan-Jhou (CN)--

Signed and Sealed this

Thirteenth Day of November, 2007

A handwritten signature in black ink on a light gray dotted background. The signature reads "Jon W. Dudas" in a cursive style.

JON W. DUDAS

Director of the United States Patent and Trademark Office