

US00D549229S

(12) **United States Design Patent**
Chiang

(10) **Patent No.:** **US D549,229 S**

(45) **Date of Patent:** **** Aug. 21, 2007**

(54) **OPTICAL PEN WITH PAGE-SCROLLING FEATURE**

D470,143 S * 2/2003 Uehara D14/403
D472,240 S * 3/2003 Seog D14/411
D486,137 S * 2/2004 Chen D14/168

(75) Inventor: **Shui-Chuan Chiang**, Hsin Chu (TW)

* cited by examiner

(73) Assignee: **Aiptek International Inc.**, Hsin-Chu (TW)

Primary Examiner—Pamela J. Burgess

(74) *Attorney, Agent, or Firm*—Troxell Law Office, PLLC

(**) Term: **14 Years**

(21) Appl. No.: **29/206,827**

(57) **CLAIM**

(22) Filed: **Jun. 4, 2004**

The ornamental design for an “optical pen with page-scrolling feature,” as shown and described.

(51) **LOC (8) Cl.** **14-02**

DESCRIPTION

(52) **U.S. Cl.** **D14/411; D14/431; D19/36**

(58) **Field of Classification Search** D14/411,
D14/431, 342; D19/35–36, 41–51, 53–58,
D19/81–85; 324/51, 414, 21; 178/19.01–19.05;
345/179–183; 401/34

FIG. 1 is a perspective view of an “optical pen with page-scrolling feature” showing my new design;

FIG. 2 is a front view thereof;

FIG. 3 is a rear view thereof;

FIG. 4 is a left side view thereof;

FIG. 5 is a right side view thereof;

FIG. 6 is a top view thereof; and,

FIG. 7 is a bottom view thereof.

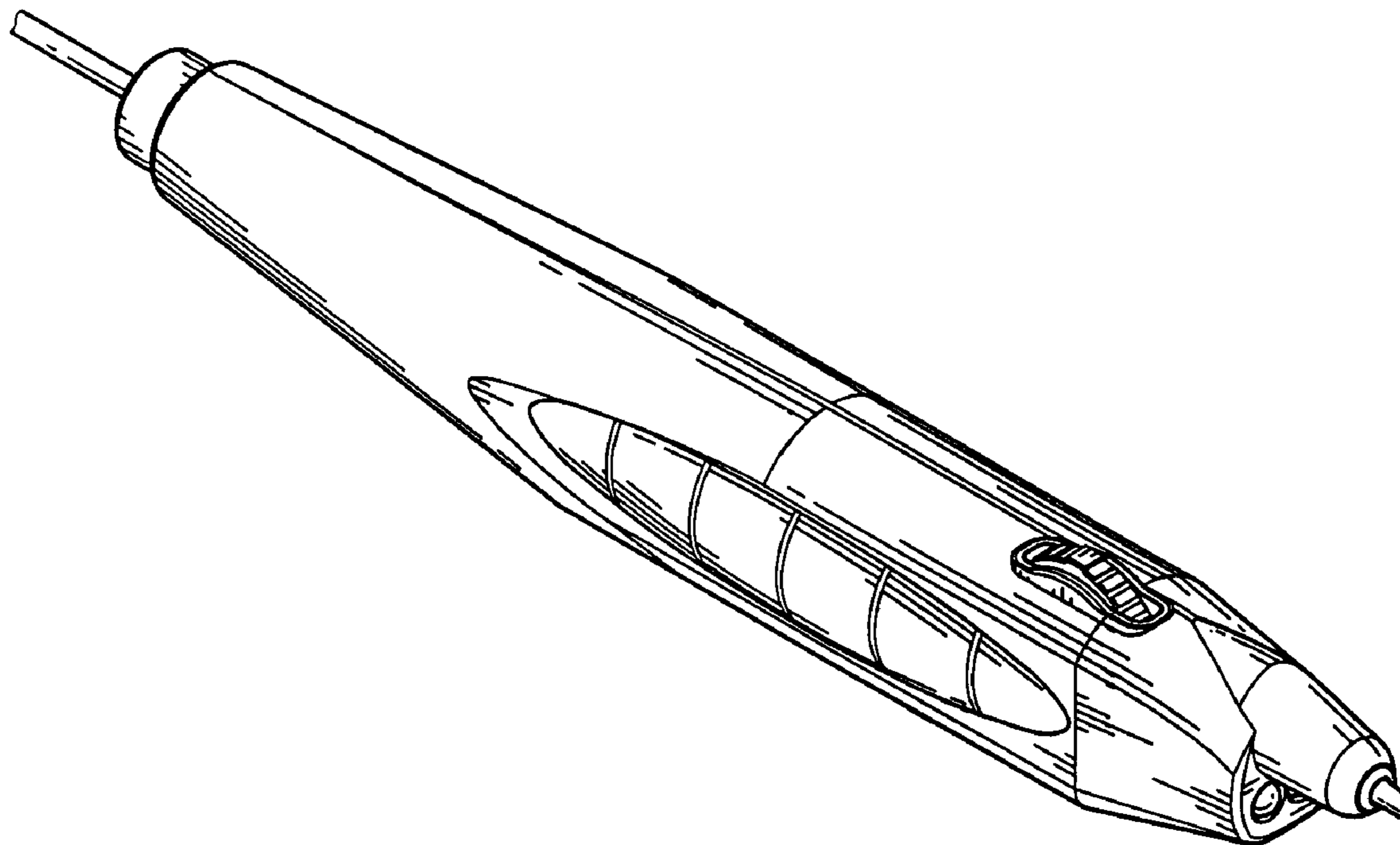
See application file for complete search history.

(56) **References Cited**

U.S. PATENT DOCUMENTS

D238,680 S * 2/1976 Pilos D14/431
D419,541 S * 1/2000 Kawashima D14/431
D456,411 S * 4/2002 Kourushi D14/411

1 Claim, 4 Drawing Sheets



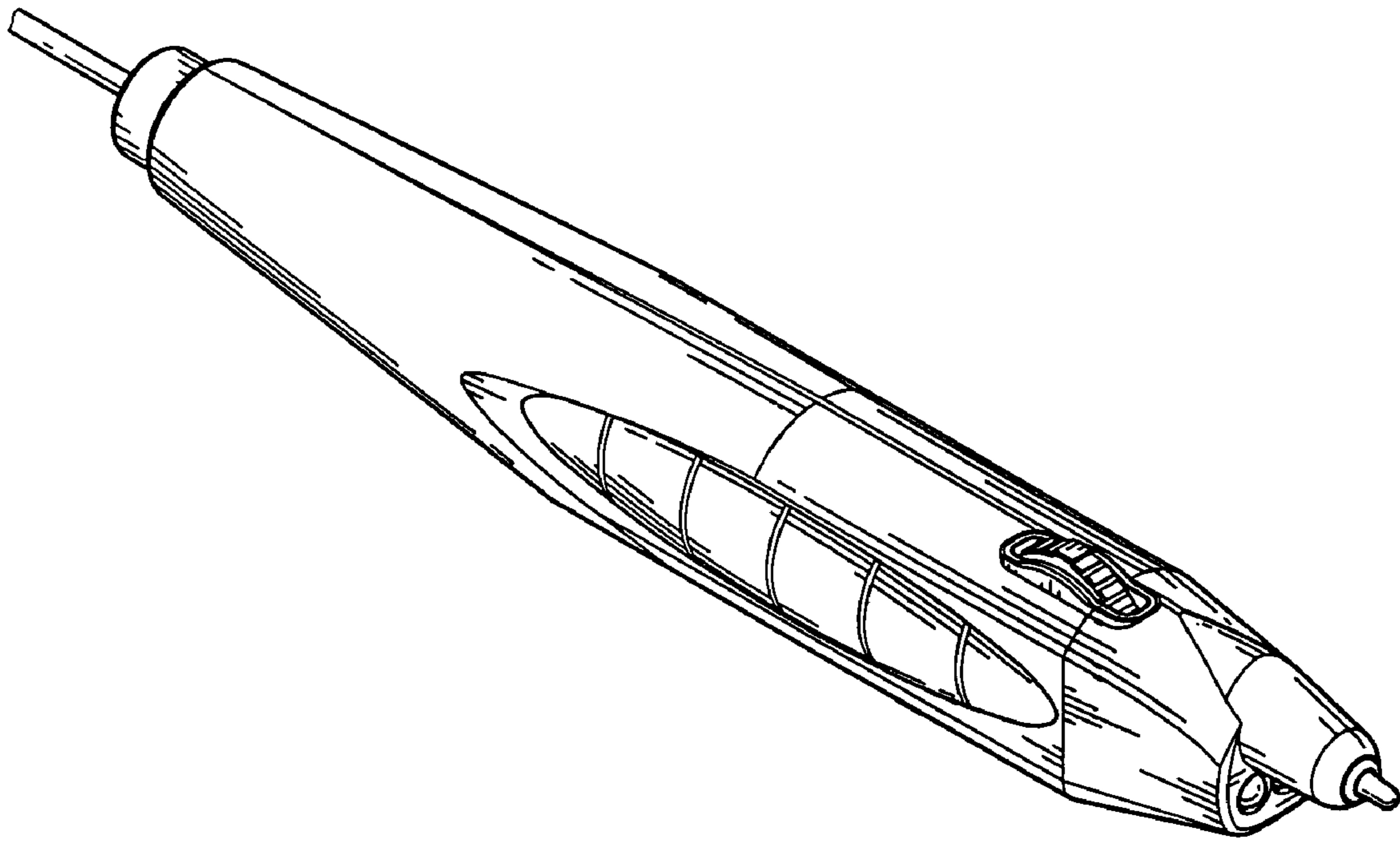


FIG. 1

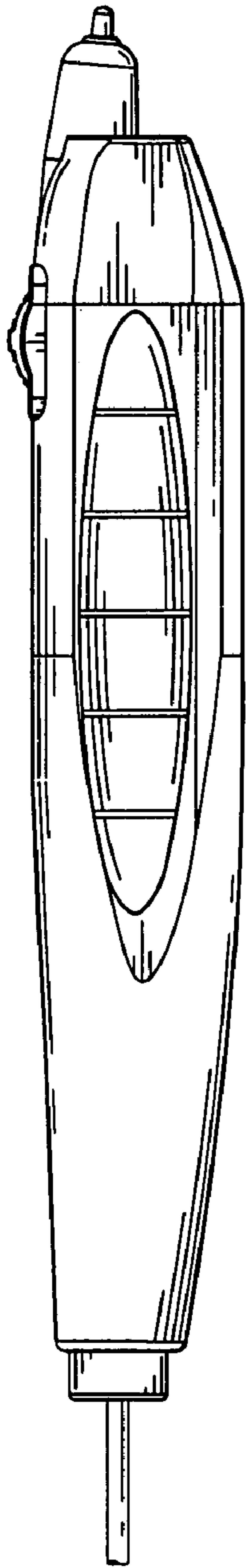


FIG. 2

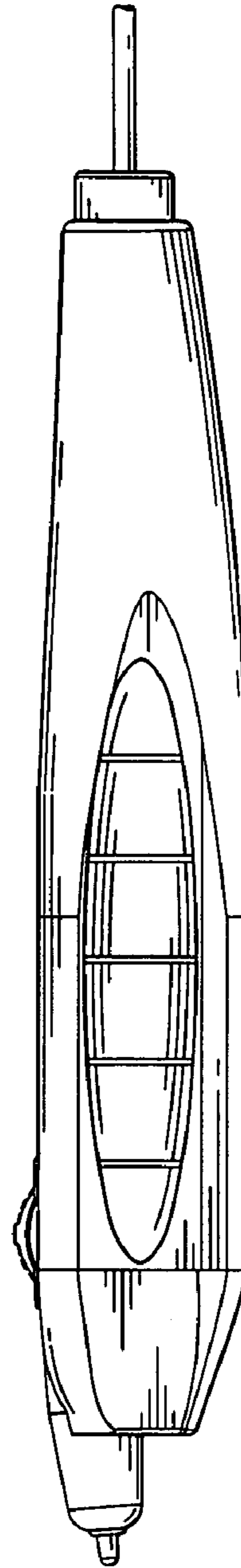


FIG. 3

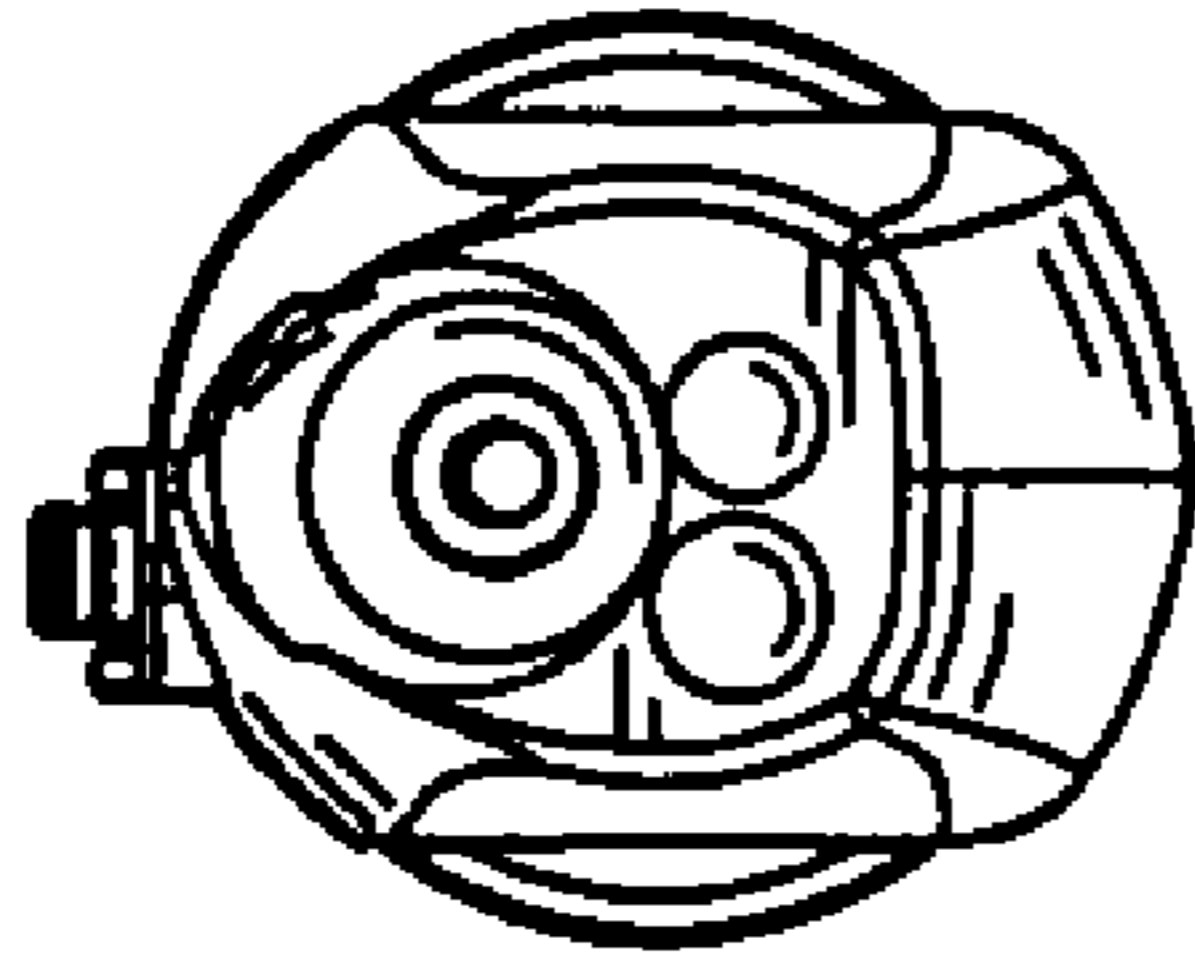


FIG. 5

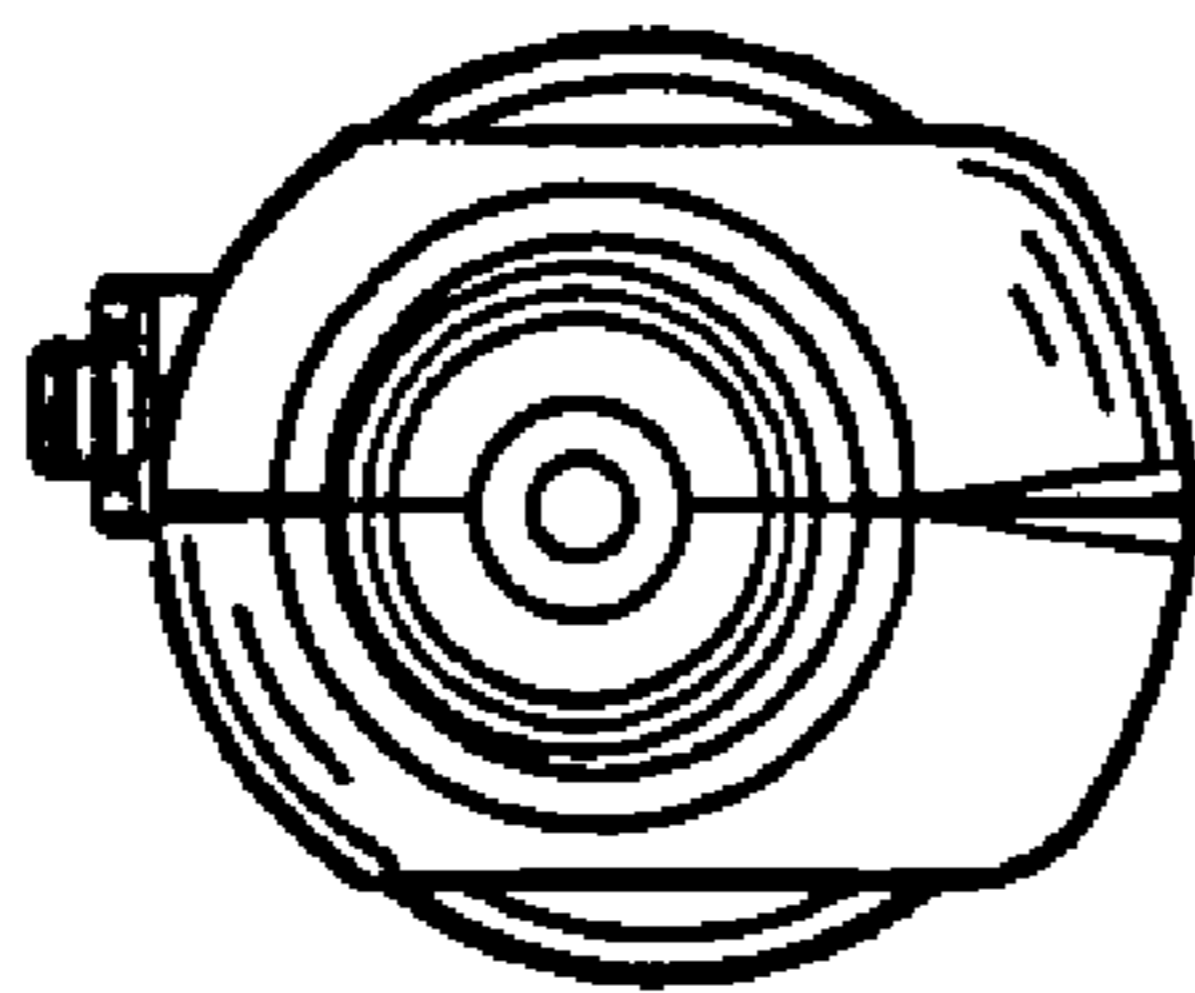


FIG. 4

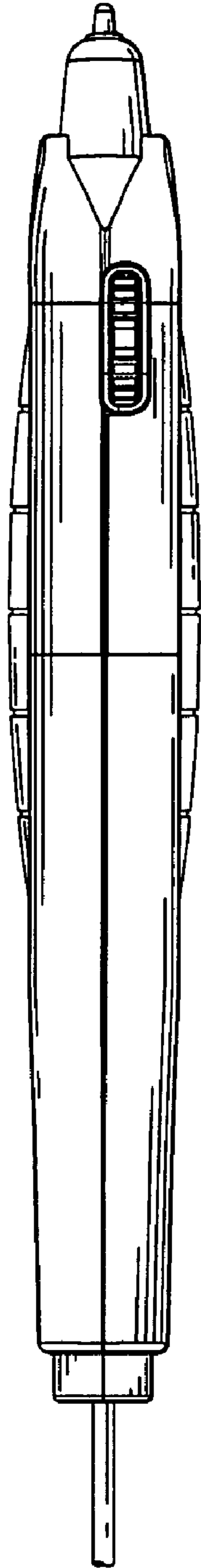


FIG. 6

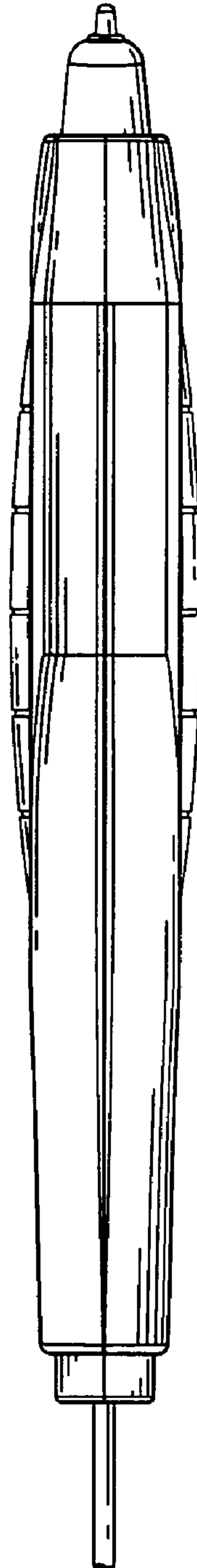


FIG. 7